



US00D876340S

(12) **United States Design Patent**
Song

(10) **Patent No.:** **US D876,340 S**

(45) **Date of Patent:** **** Feb. 25, 2020**

(54) **BATTERY PACK**

(71) Applicant: **Changzhou Globe Co., Ltd.**,
Changzhou, Jiangsu (CN)

(72) Inventor: **Titi Song**, Changzhou (CN)

(73) Assignee: **Changzhou Globe Co., Ltd.**,
Changzhou, Jiangsu (CN)

(**) Term: **15 Years**

(21) Appl. No.: **29/644,504**

(22) Filed: **Apr. 18, 2018**

(30) **Foreign Application Priority Data**

Oct. 18, 2017 (CN) 2017 3 0497134
Oct. 18, 2017 (CN) 2017 3 0497341

(51) **LOC (12) Cl.** **13-02**

(52) **U.S. Cl.**
USPC **D13/103**

(58) **Field of Classification Search**

USPC D13/102-110, 139.8, 118-119, 184, 199;
D14/356, 432
CPC Y02E 60/10; Y02E 60/12; Y02E 60/122;
Y02E 60/124; Y02E 60/50; H01M 2/02;
H01M 2/022; H01M 2/0202; H01M
2/0207; H01M 2/0212; H01M 2/1061;
H01M 2/1022; H01M 2/1055; H01M
2/1066; H01M 2/105; H01M 2/20; H01M
2/204; H01M 2/206; H01M 10/44; H01M
10/46; H01M 10/465; H01M 10/482;
H01M 2200/30; H01M 2250/30; H01M
2250/40; H02J 7/00; H02J 7/0003; H02J
7/0011; H02J 7/0013; H02J 7/0054; H02J
7/0055; H02J 7/0057; H02J 2007/0062

See application file for complete search history.

(56) **References Cited**

U.S. PATENT DOCUMENTS

D597,932 S * 8/2009 Aglassinger D13/103
D598,373 S * 8/2009 Aglassinger D13/103

D604,694 S * 11/2009 Aglassinger D13/103
D685,730 S * 7/2013 Hamm D13/103
D699,670 S 2/2014 Cooper
8,741,474 B2 * 6/2014 Melnyk H01M 2/1022
429/163
D710,794 S 8/2014 Busschaert et al.
D712,826 S 9/2014 Marino et al.
D780,688 S * 3/2017 Elder D13/103

(Continued)

Primary Examiner — Nathaniel D. Buckner

(74) *Attorney, Agent, or Firm* — Dorton & Willis, LLP

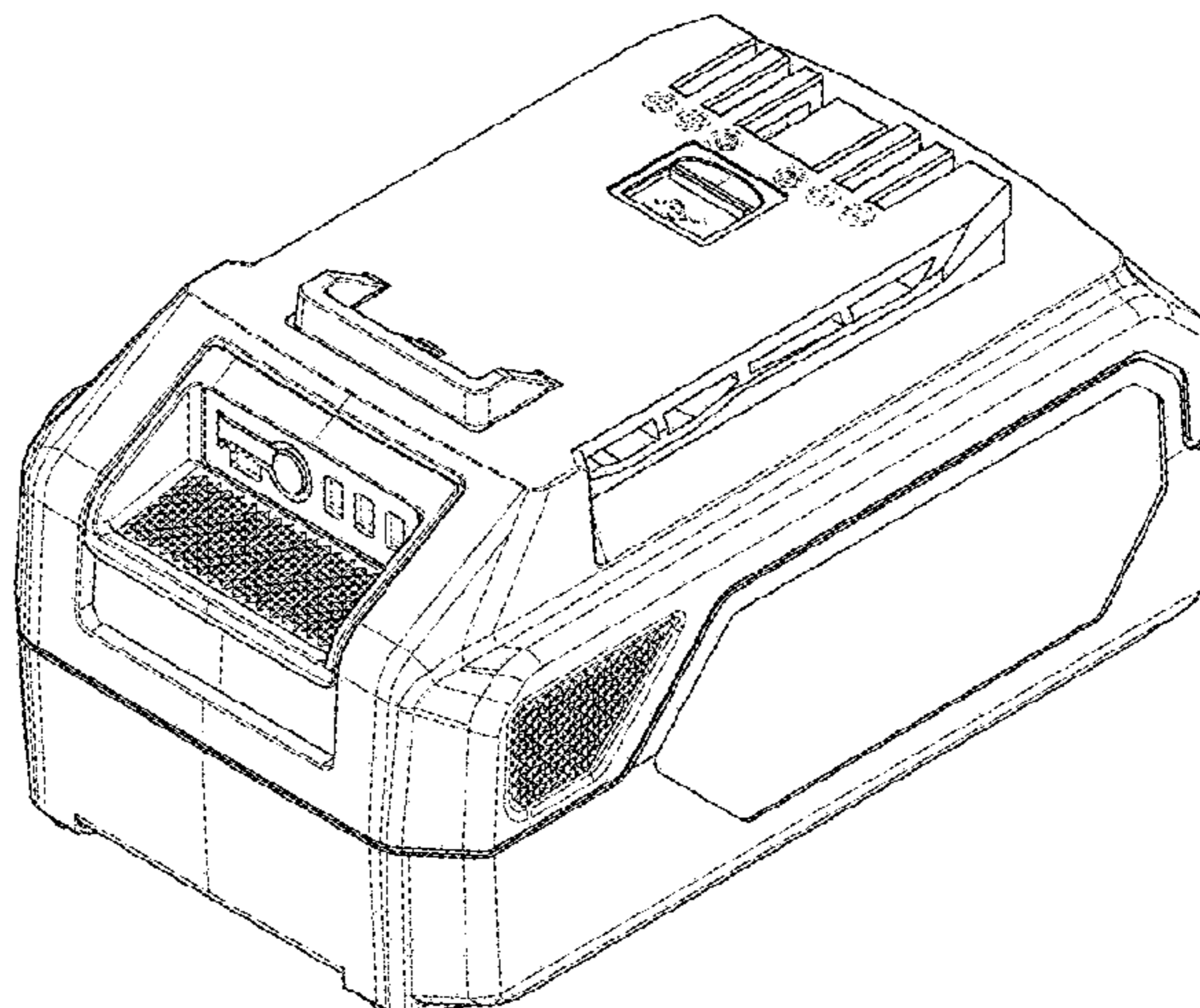
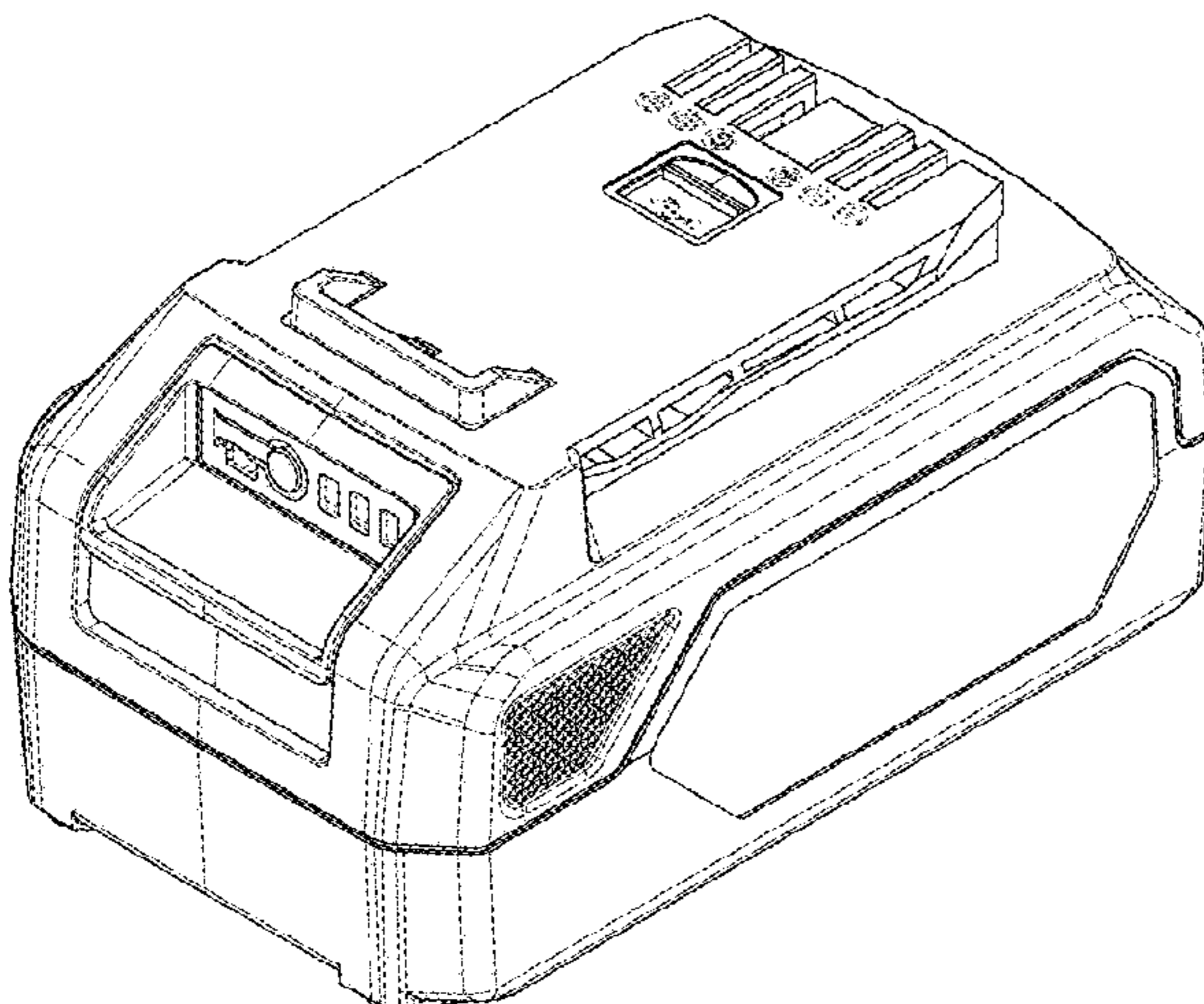
(57) **CLAIM**

The ornamental design for a battery pack, as shown and described.

DESCRIPTION

FIG. 1 is a front perspective view of a battery pack showing the first embodiment of my new design;
FIG. 2 is a rear perspective view thereof;
FIG. 3 is a front elevation view thereof;
FIG. 4 is a right side elevation view thereof;
FIG. 5 is a rear elevation view thereof;
FIG. 6 is a left side elevation view thereof;
FIG. 7 is a top plan view thereof;
FIG. 8 is a bottom plan view thereof;
FIG. 9 is a front perspective view of a battery pack showing the second embodiment of my new design;
FIG. 10 is a rear perspective view thereof;
FIG. 11 is a front elevation view thereof;
FIG. 12 is a right elevation side view thereof;
FIG. 13 is a rear elevation view thereof;
FIG. 14 is a left side elevation view thereof;
FIG. 15 is a top elevation view thereof; and,
FIG. 16 is a bottom elevation view thereof.
The broken lines in the figures depict portions of the article which form no part of the claimed design.

1 Claim, 16 Drawing Sheets



(56)

References Cited

U.S. PATENT DOCUMENTS

D812,555 S * 3/2018 Schoch D13/103
D826,150 S * 8/2018 Cayon D13/103
D844,558 S * 4/2019 Taniguchi D13/103
2013/0330576 A1* 12/2013 Kolden H01M 10/425
429/7
2016/0072106 A1* 3/2016 Baumgartner H01M 2/1022
320/113
2016/0359151 A1* 12/2016 Beyerl H01M 2/1055
2018/0331335 A1* 11/2018 Klee B25F 5/02

* cited by examiner

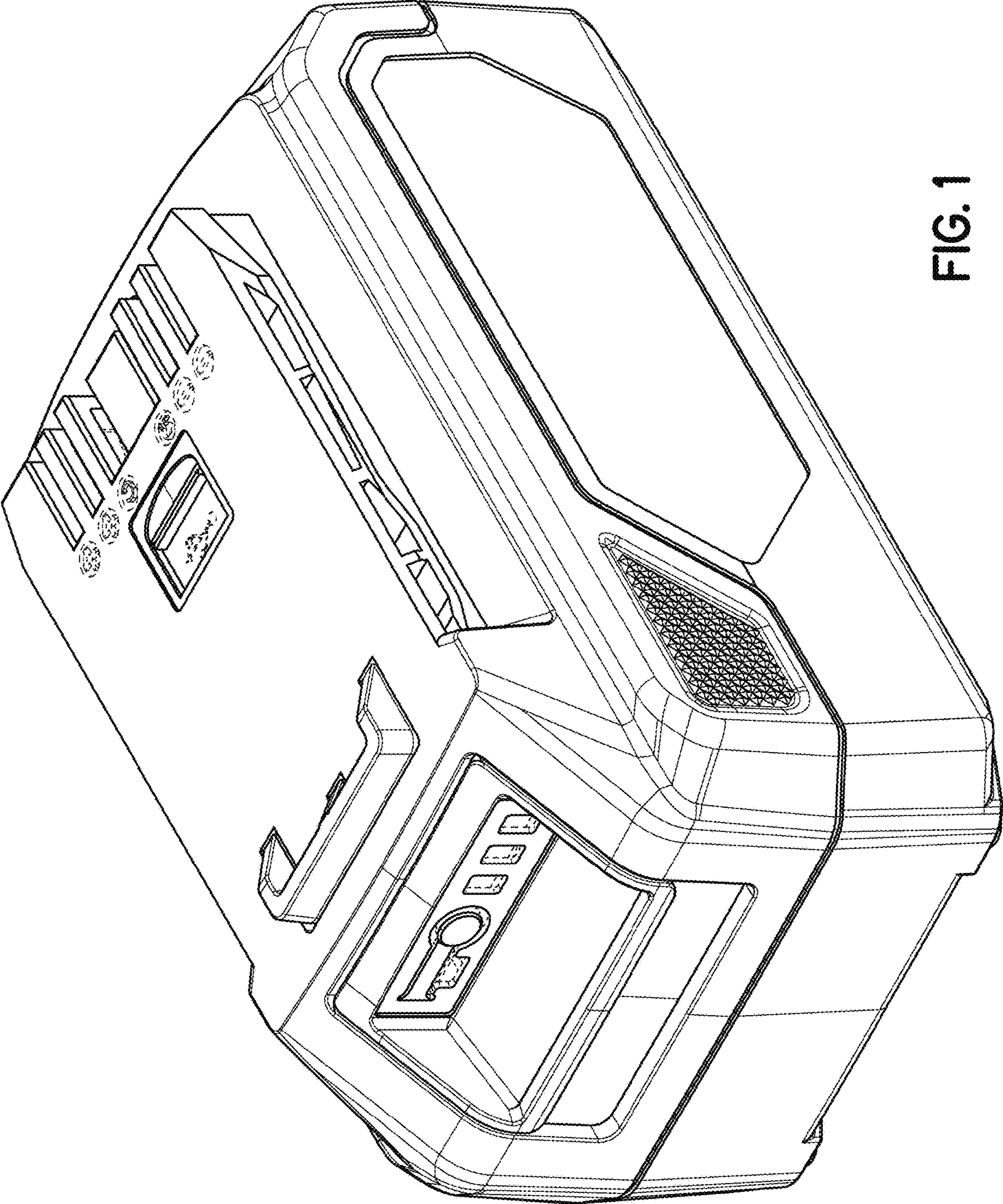


FIG. 1

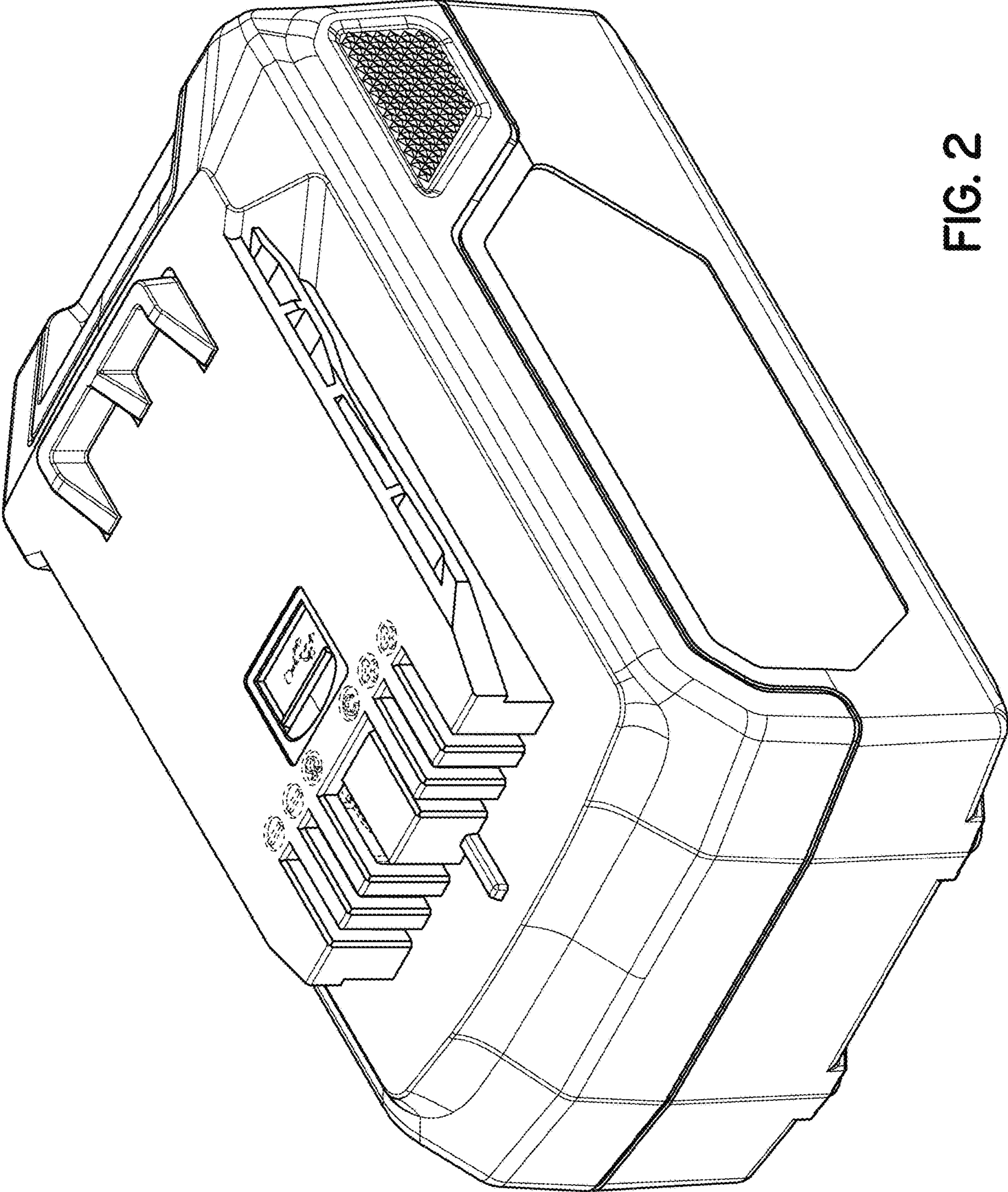


FIG. 2

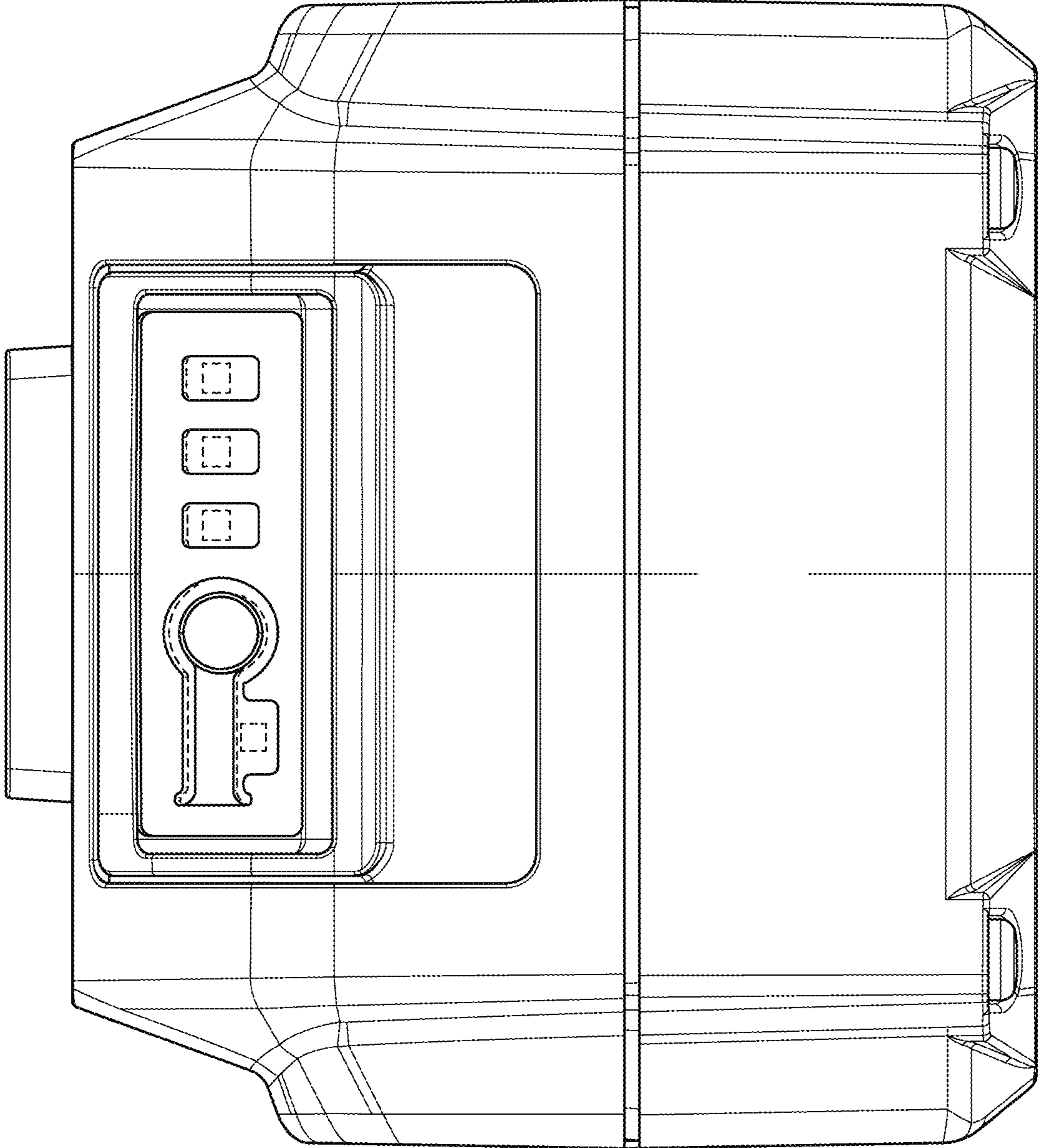


FIG. 3

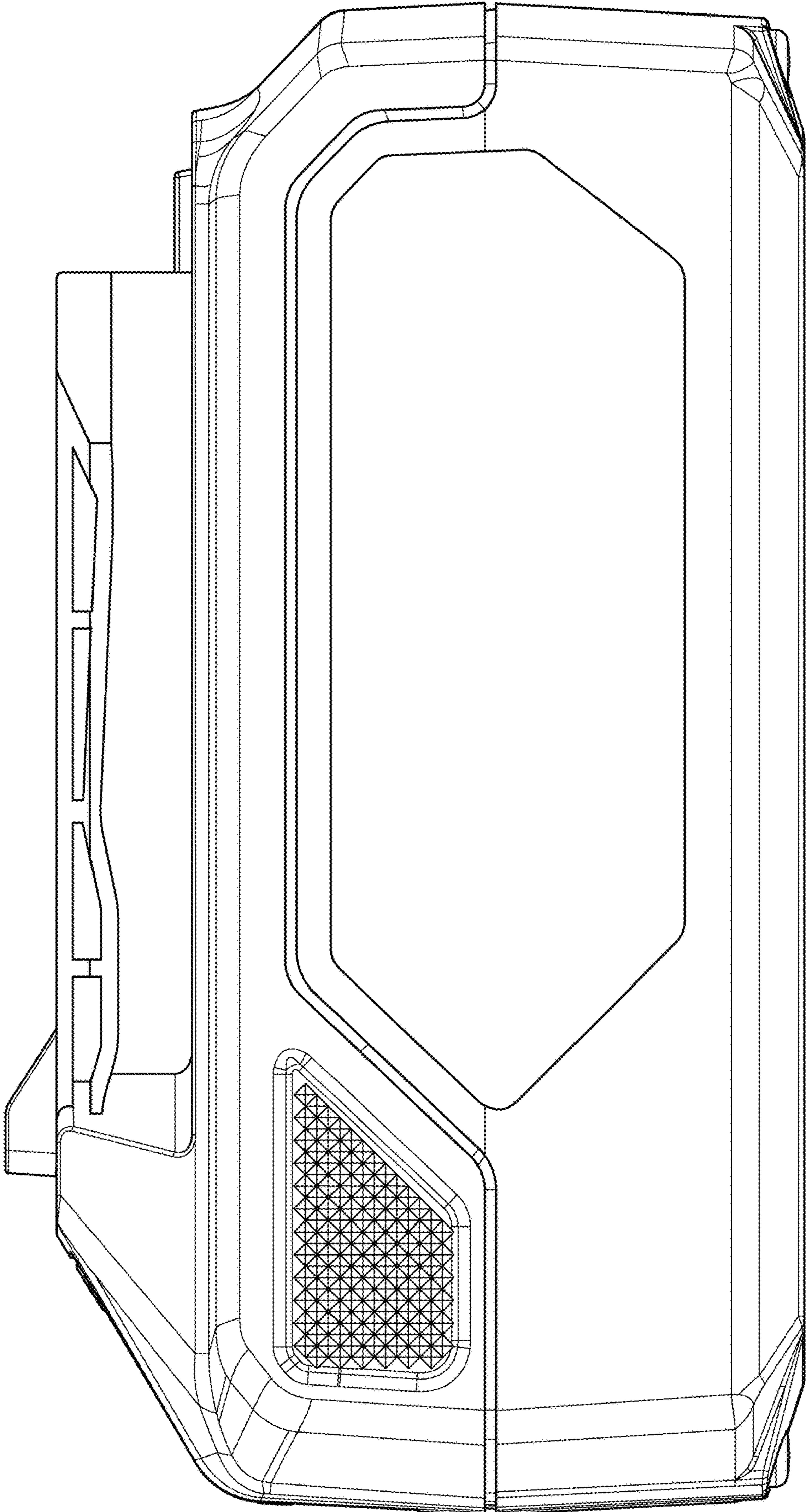


FIG. 4

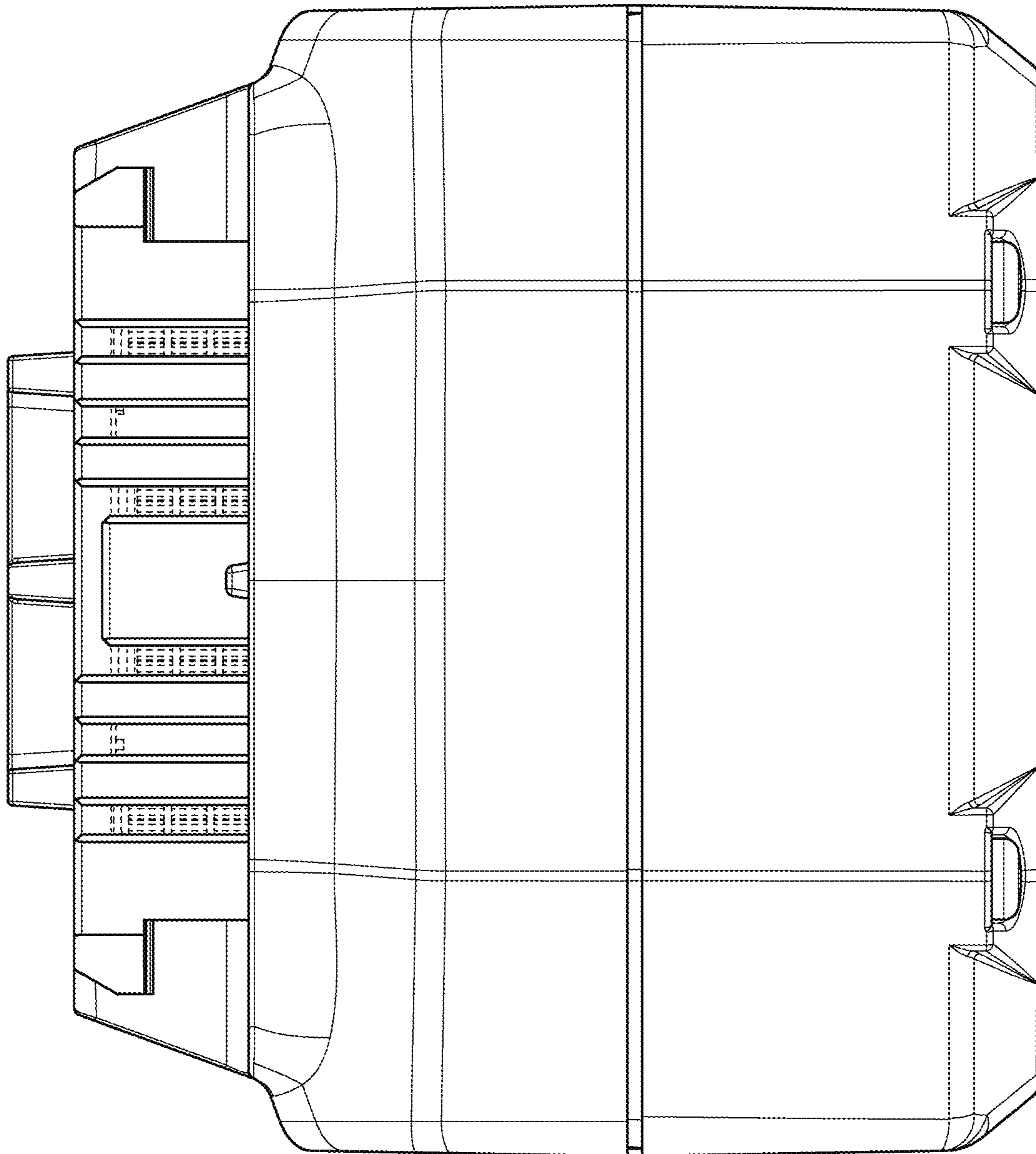


FIG. 5

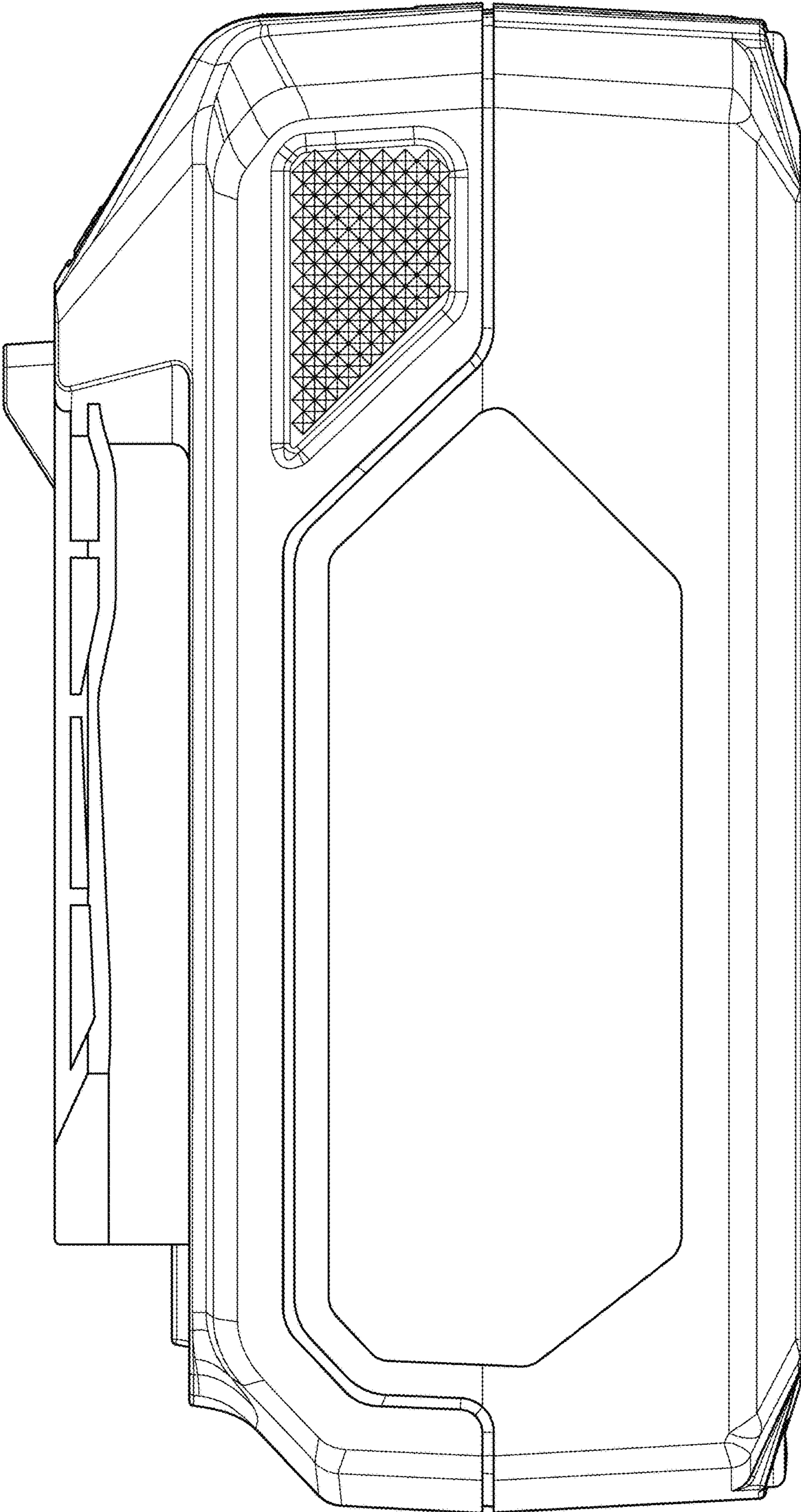


FIG. 6

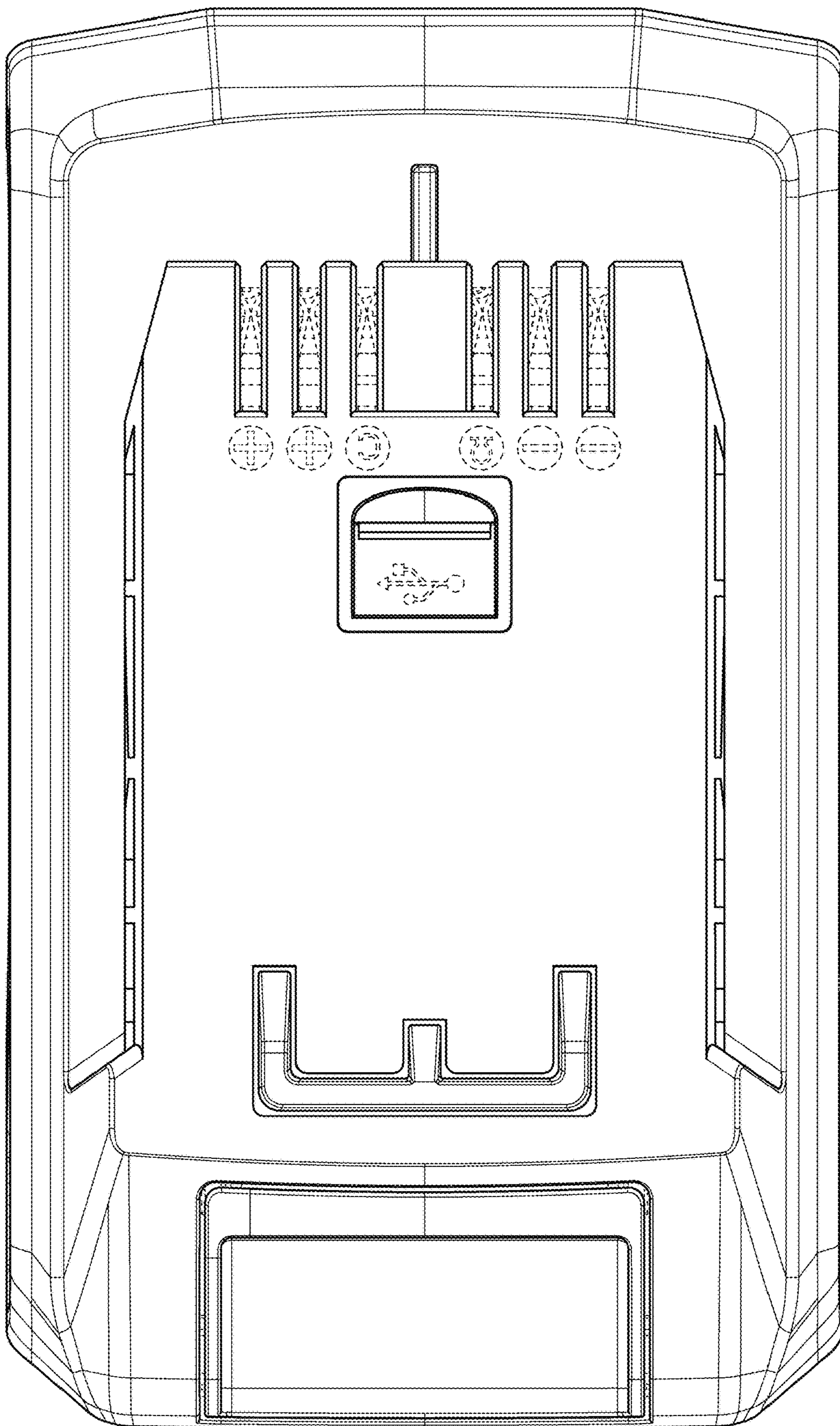


FIG. 7

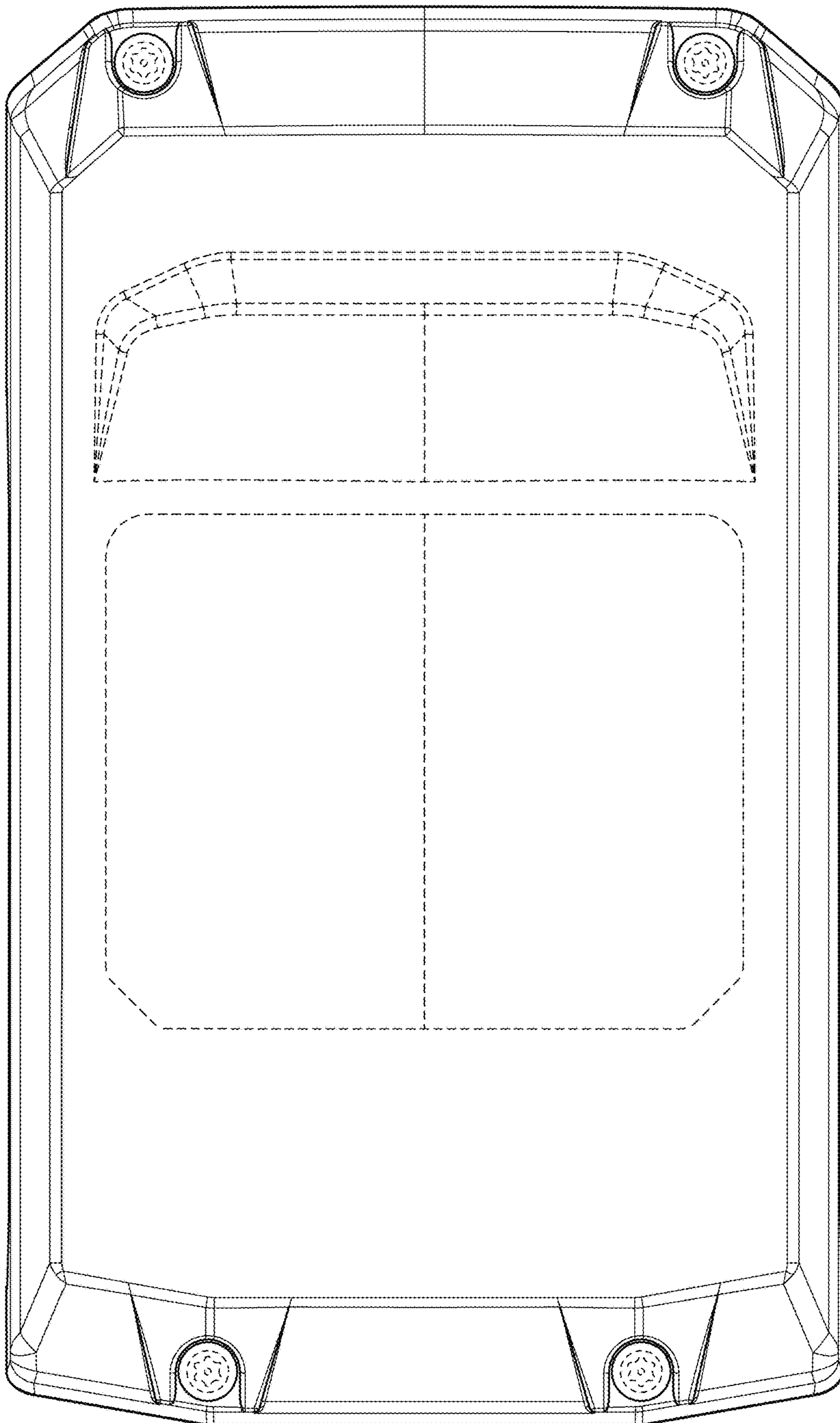


FIG. 8

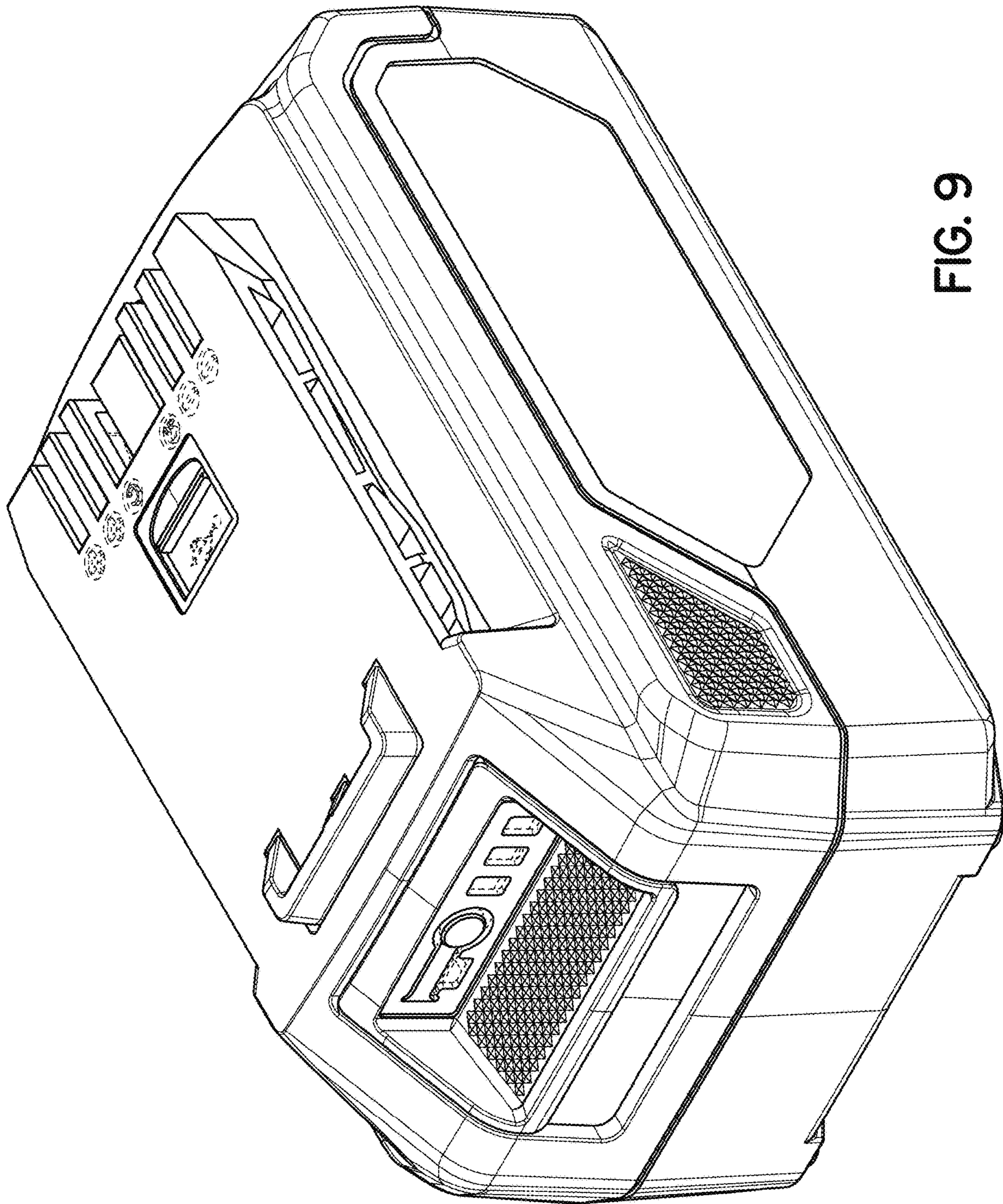


FIG. 9

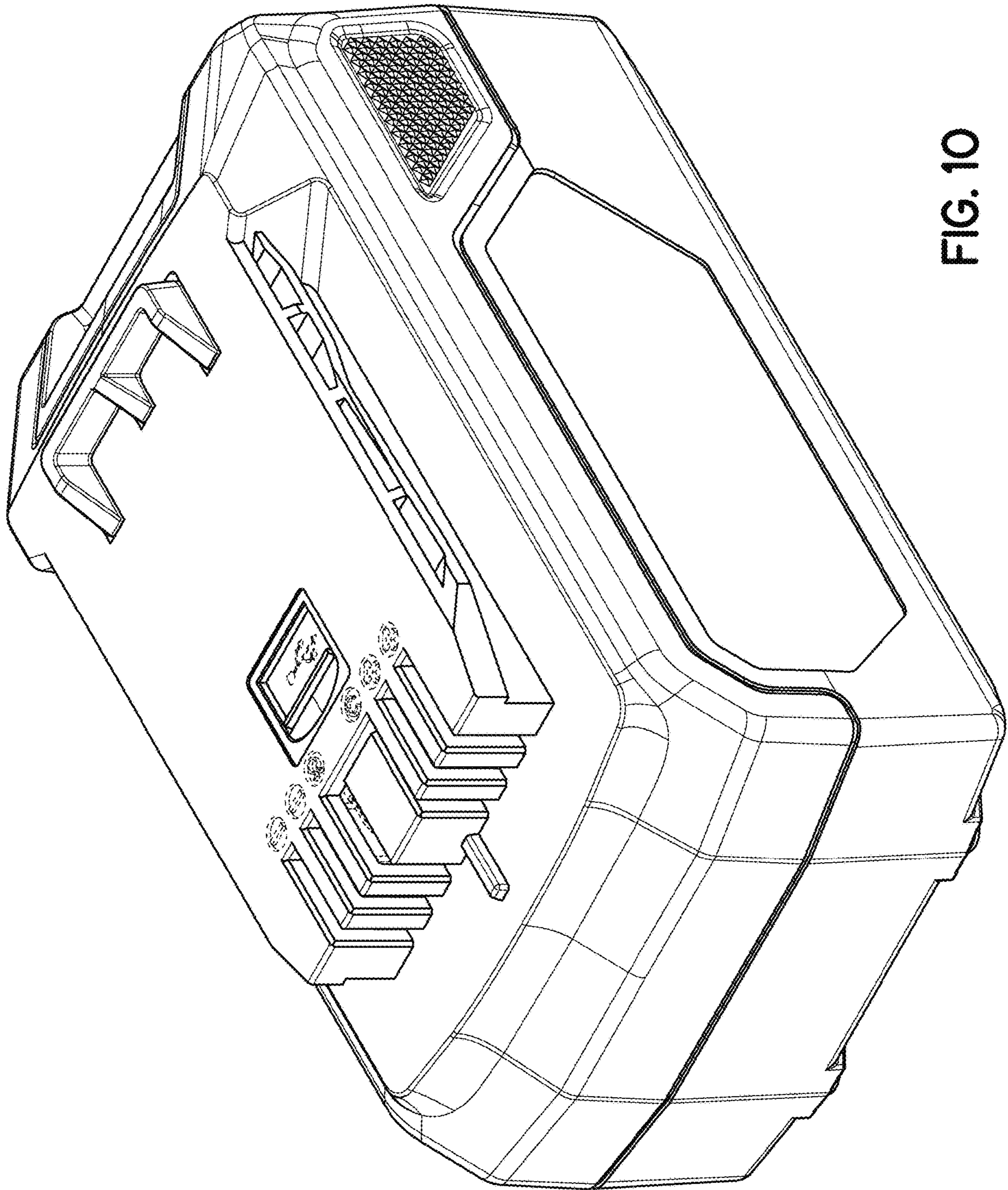


FIG. 10

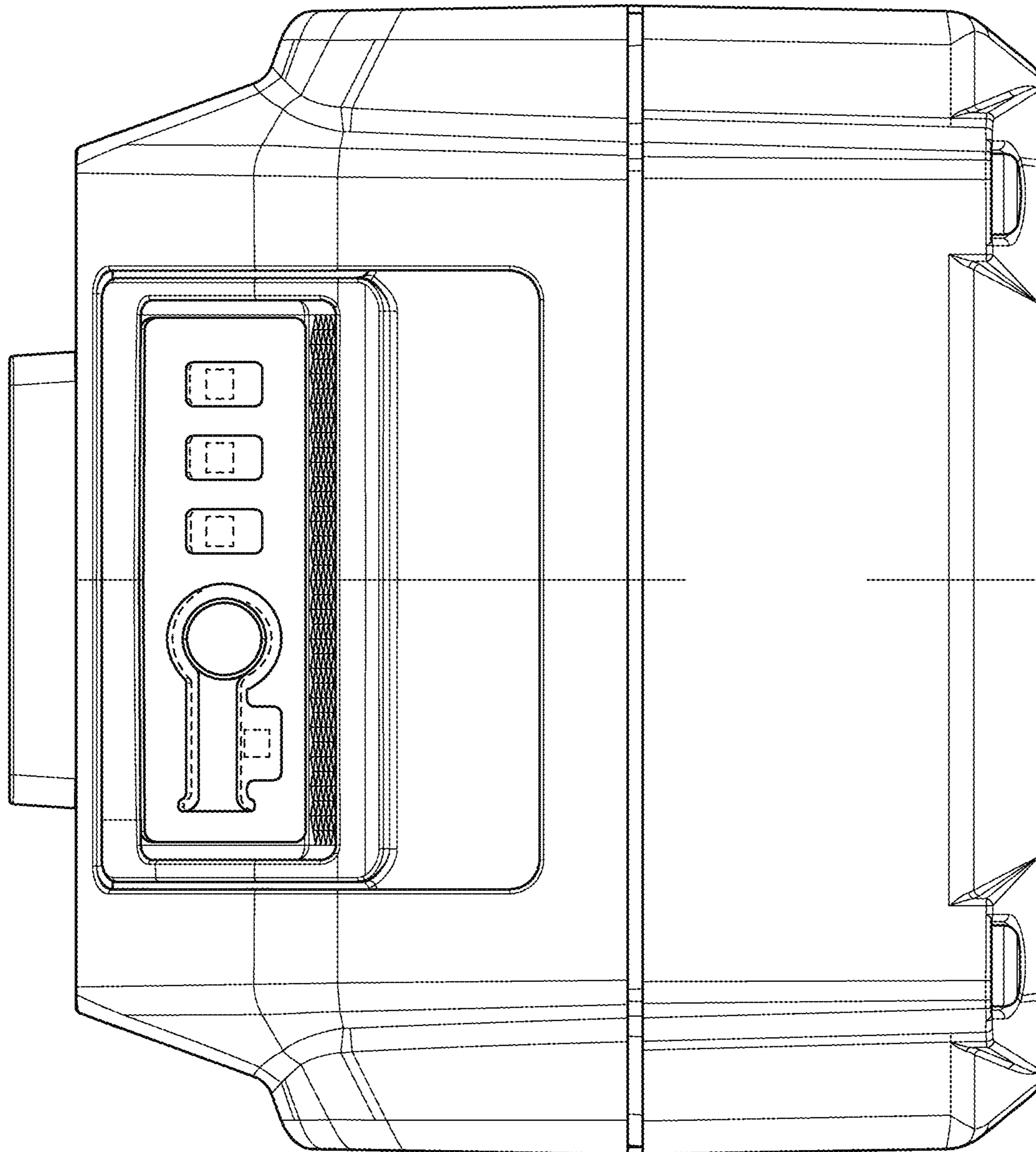


FIG. 11

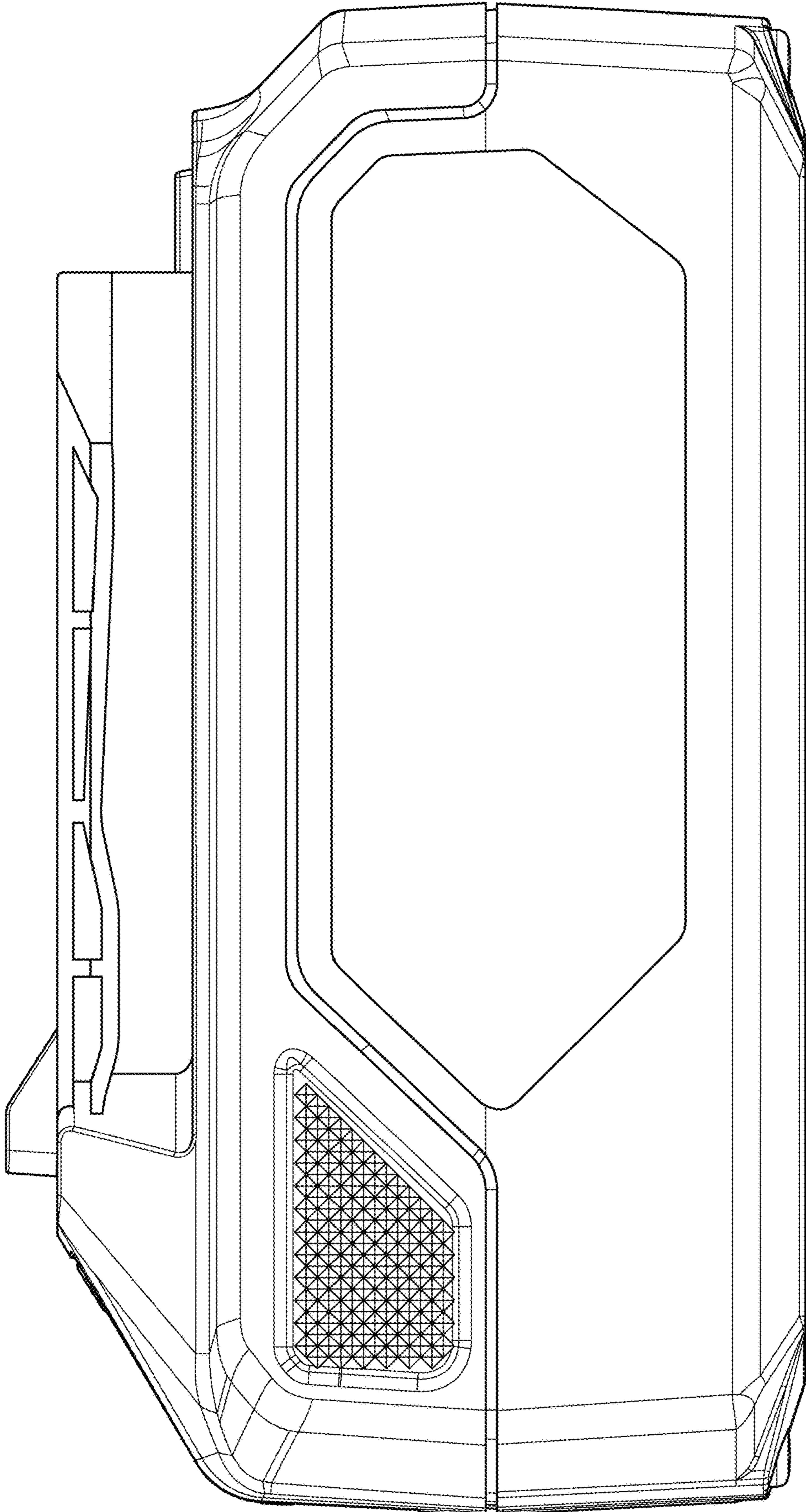


FIG. 12

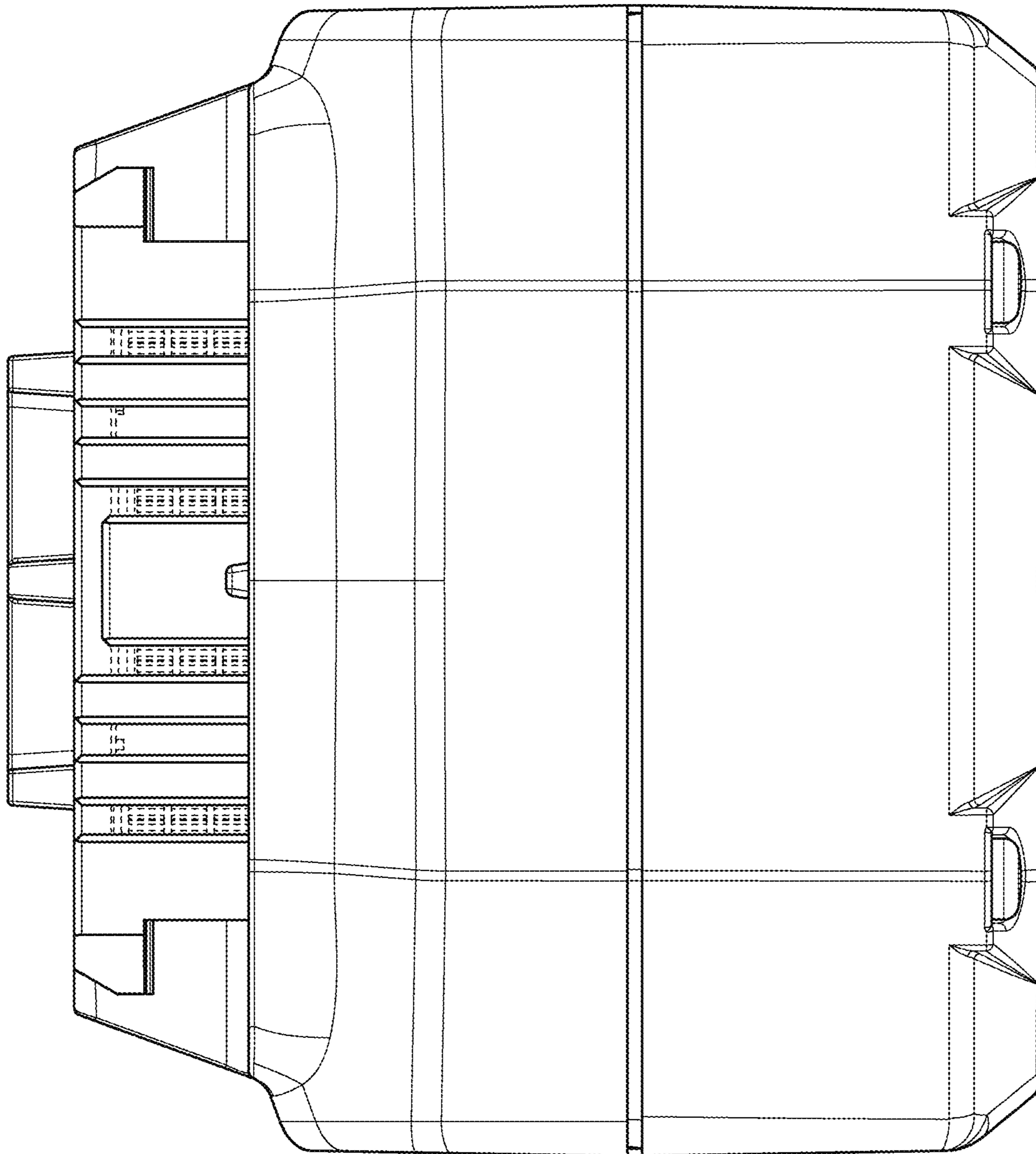


FIG. 13

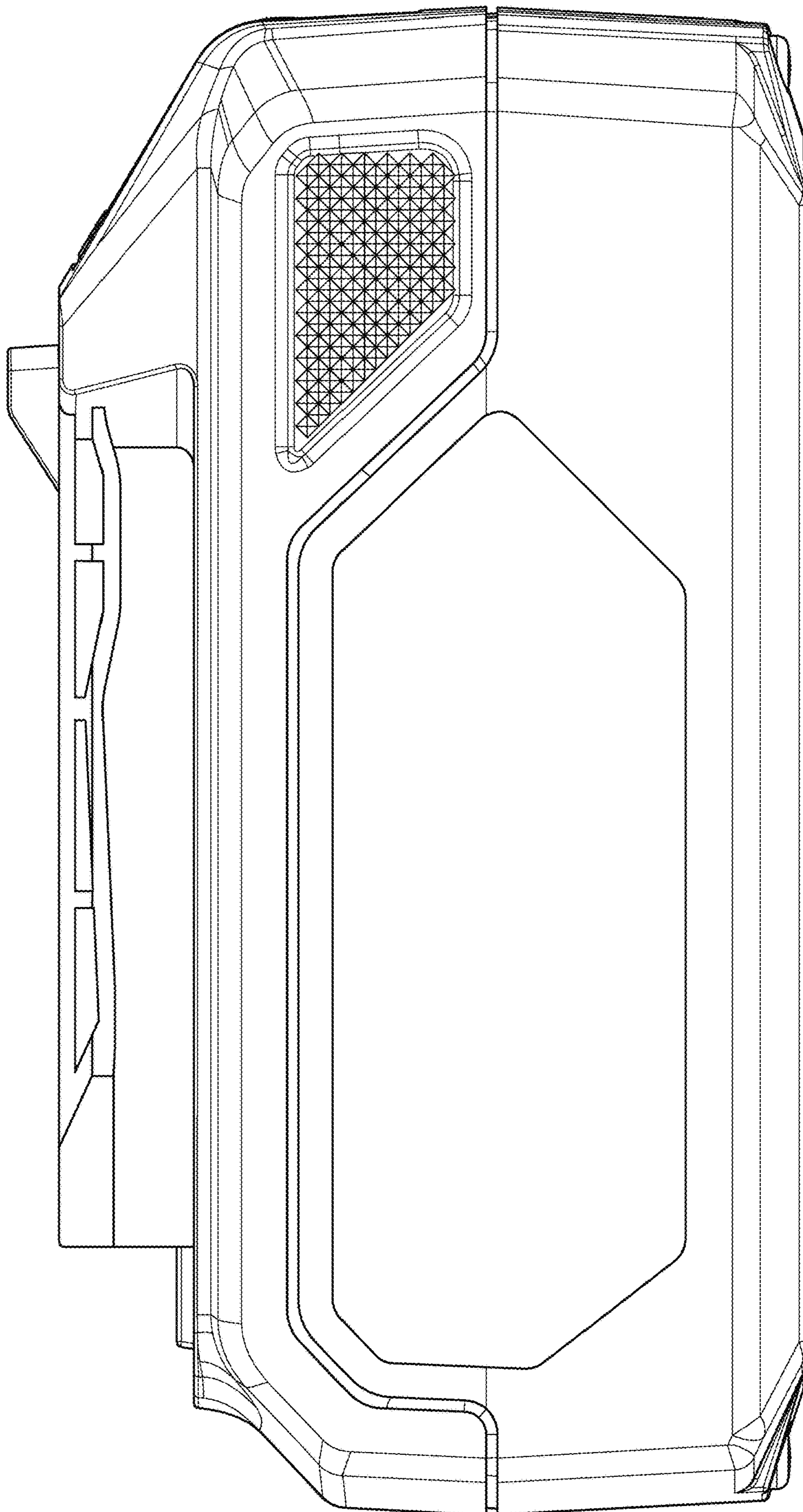


FIG. 14

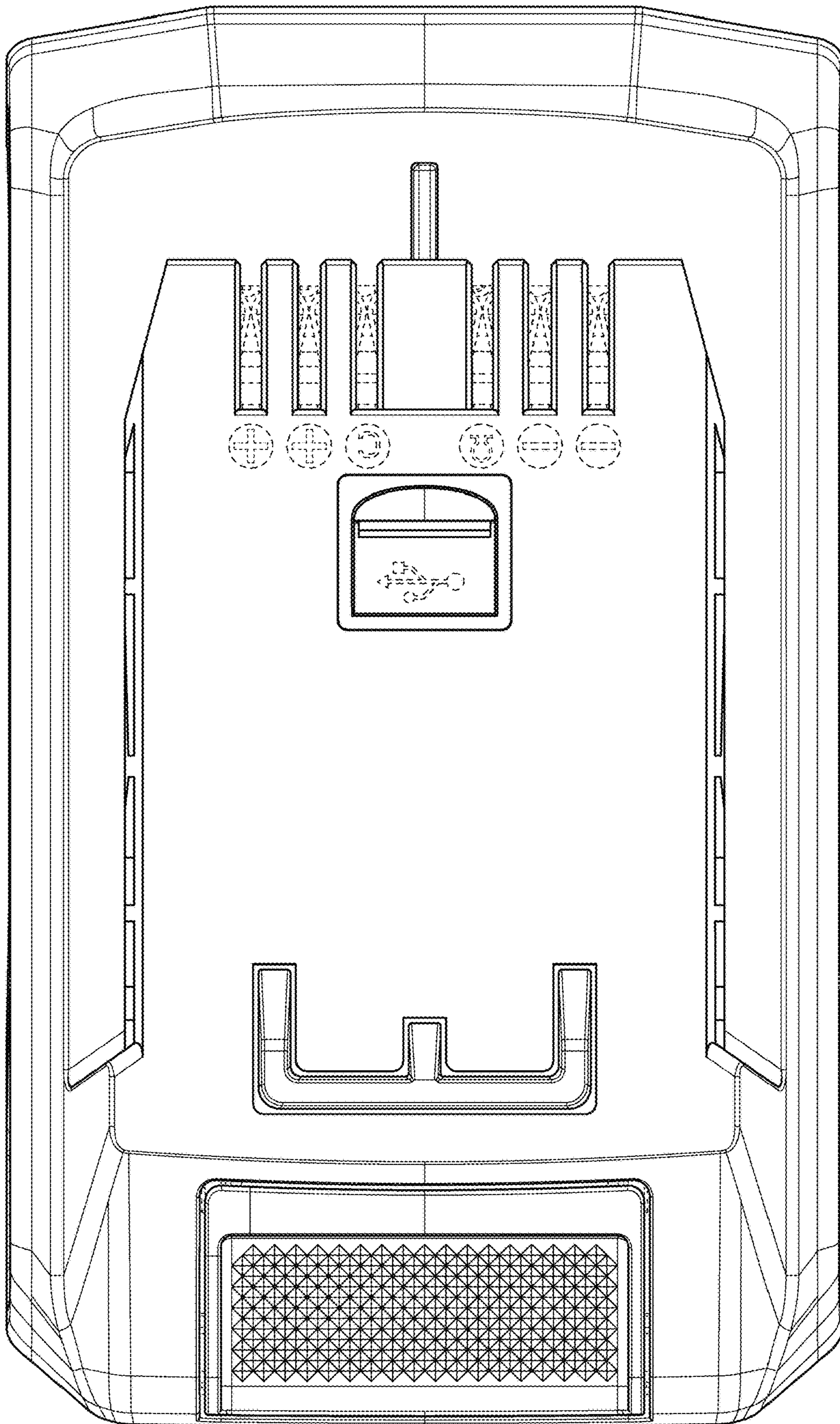


FIG. 15

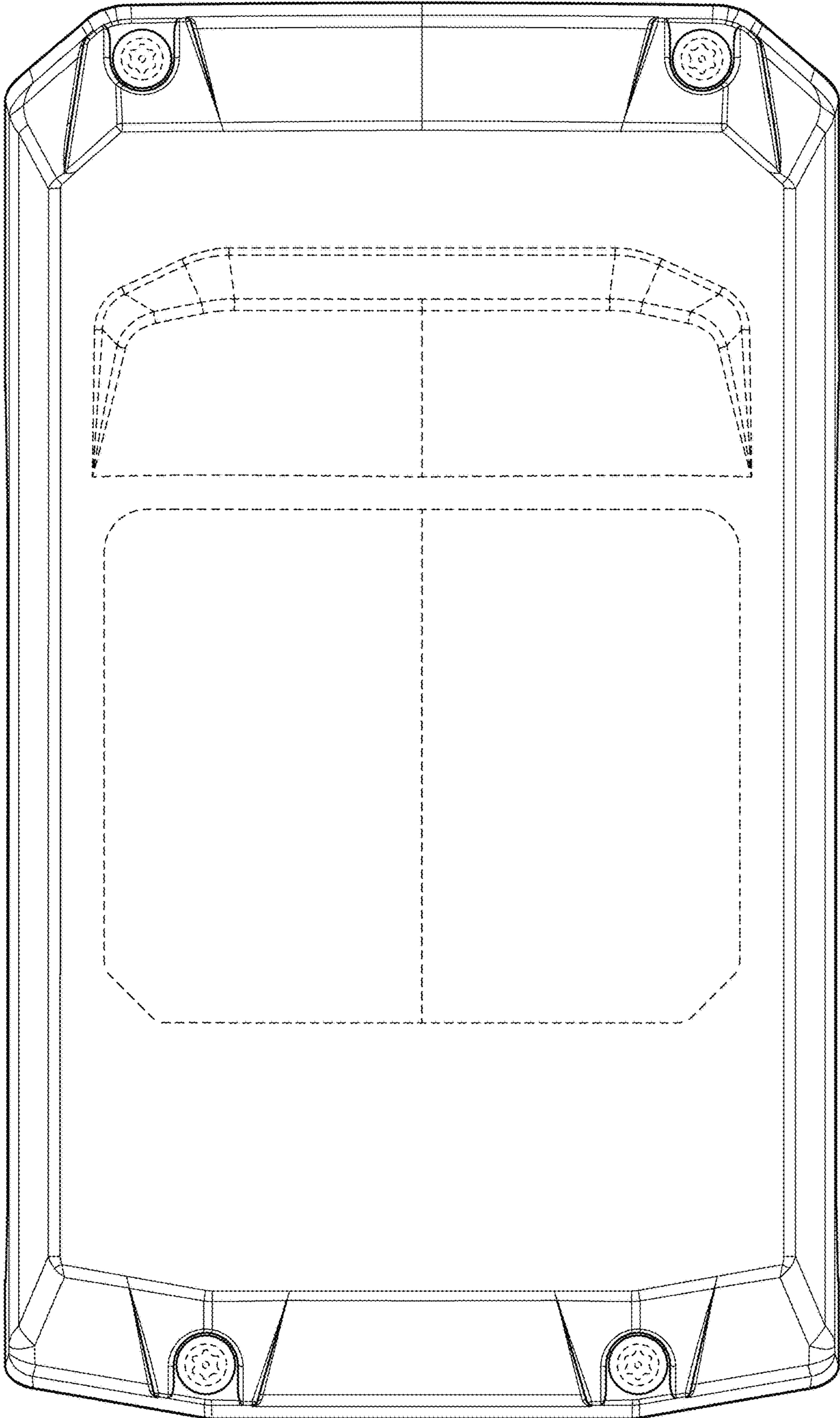


FIG. 16