



US00D876339S

(12) **United States Design Patent**
Xu

(10) **Patent No.:** **US D876,339 S**

(45) **Date of Patent:** **** Feb. 25, 2020**

(54) **BATTERY BACKPACK**

(71) Applicant: **Qiang Xu**, Zhejiang (CN)

(72) Inventor: **Qiang Xu**, Zhejiang (CN)

(**) Term: **15 Years**

(21) Appl. No.: **29/640,897**

(22) Filed: **Mar. 19, 2018**

7,814,348 B2 *	10/2010	Krajcovic	H02J 1/14
				307/38
D640,192 S *	6/2011	Robinson	D13/103
D657,309 S *	4/2012	Robinson	D13/103
D658,628 S *	5/2012	Hahner	D14/196
D713,334 S *	9/2014	Mao	D13/103
D813,156 S *	3/2018	Inskeep	D13/107
D831,334 S *	10/2018	Alexiou	D3/218
D838,669 S *	1/2019	Miller	D13/108
D840,333 S *	2/2019	Cooper	D13/103
D851,056 S *	6/2019	Zeng	D14/188
2009/0154095 A1 *	6/2009	Woud	H02J 7/0042
				361/679.56

(30) **Foreign Application Priority Data**

Nov. 14, 2017 (CN) 2017 3 0559594

(51) **LOC (12) Cl.** **13-02**

(52) **U.S. Cl.**
USPC **D13/103**

(58) **Field of Classification Search**
USPC D13/103-110, 118-119, 112-116;
D14/192-197, 168, 188, 204
CPC H02J 7/0042; H02J 7/0045; H02J 7/0054;
H02J 7/0044; H02J 2007/0062
See application file for complete search history.

(56) **References Cited**

U.S. PATENT DOCUMENTS

D373,126 S *	8/1996	Taniguchi	D14/194
D557,252 S *	12/2007	Obata	D14/188
D559,833 S *	1/2008	Skurdal	D14/168

* cited by examiner

Primary Examiner — Brett Miller

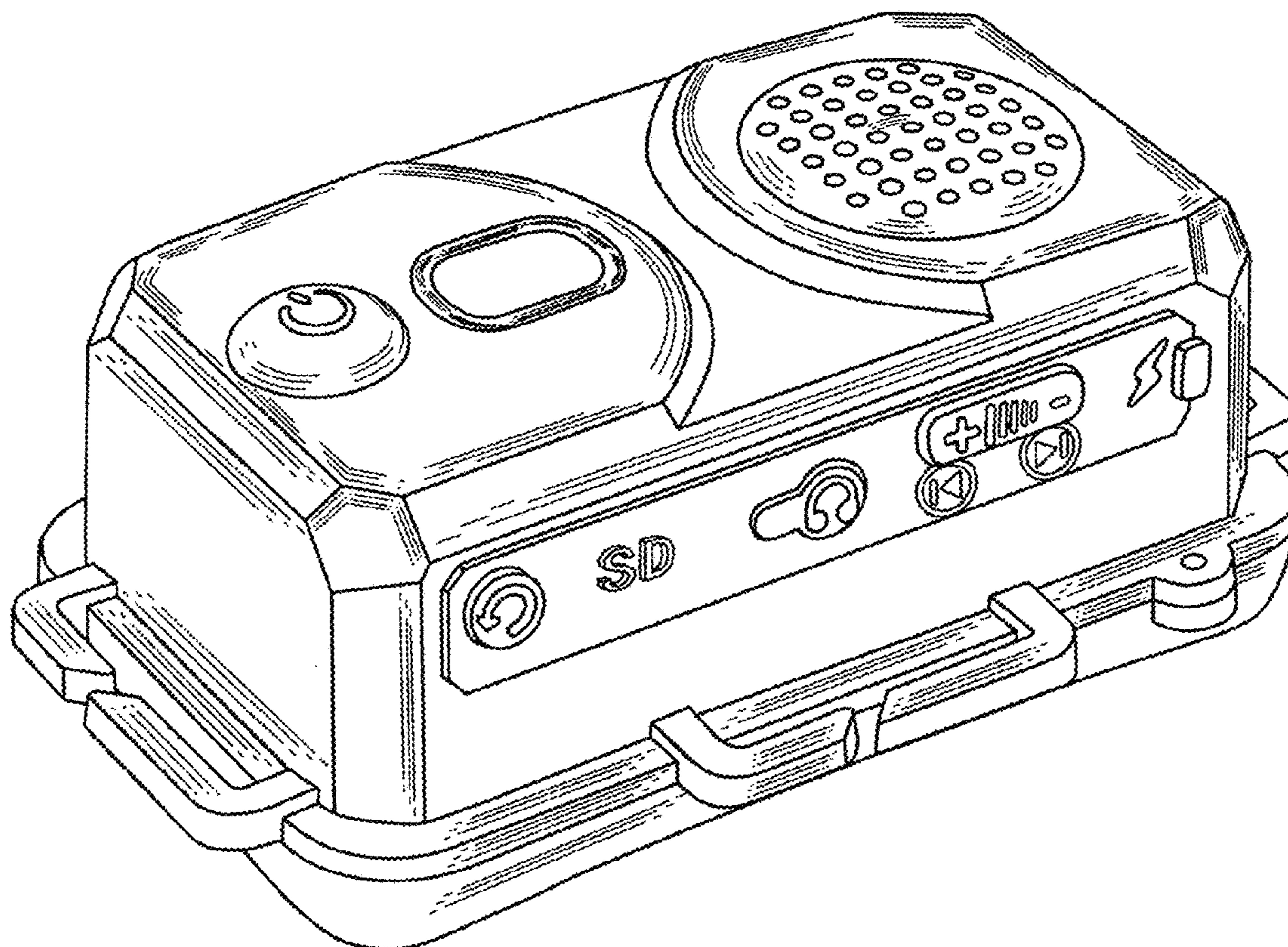
(57) **CLAIM**

The ornamental design for a battery backpack, as shown and described.

DESCRIPTION

FIG. 1 is a perspective view of a battery backpack showing my new design;
FIG. 2 is a front elevational view thereof;
FIG. 3 is a rear elevational view thereof;
FIG. 4 is a left side elevational view thereof;
FIG. 5 is a right side elevational view thereof;
FIG. 6 is a top plan view thereof; and,
FIG. 7 is a bottom plan view thereof.

1 Claim, 7 Drawing Sheets



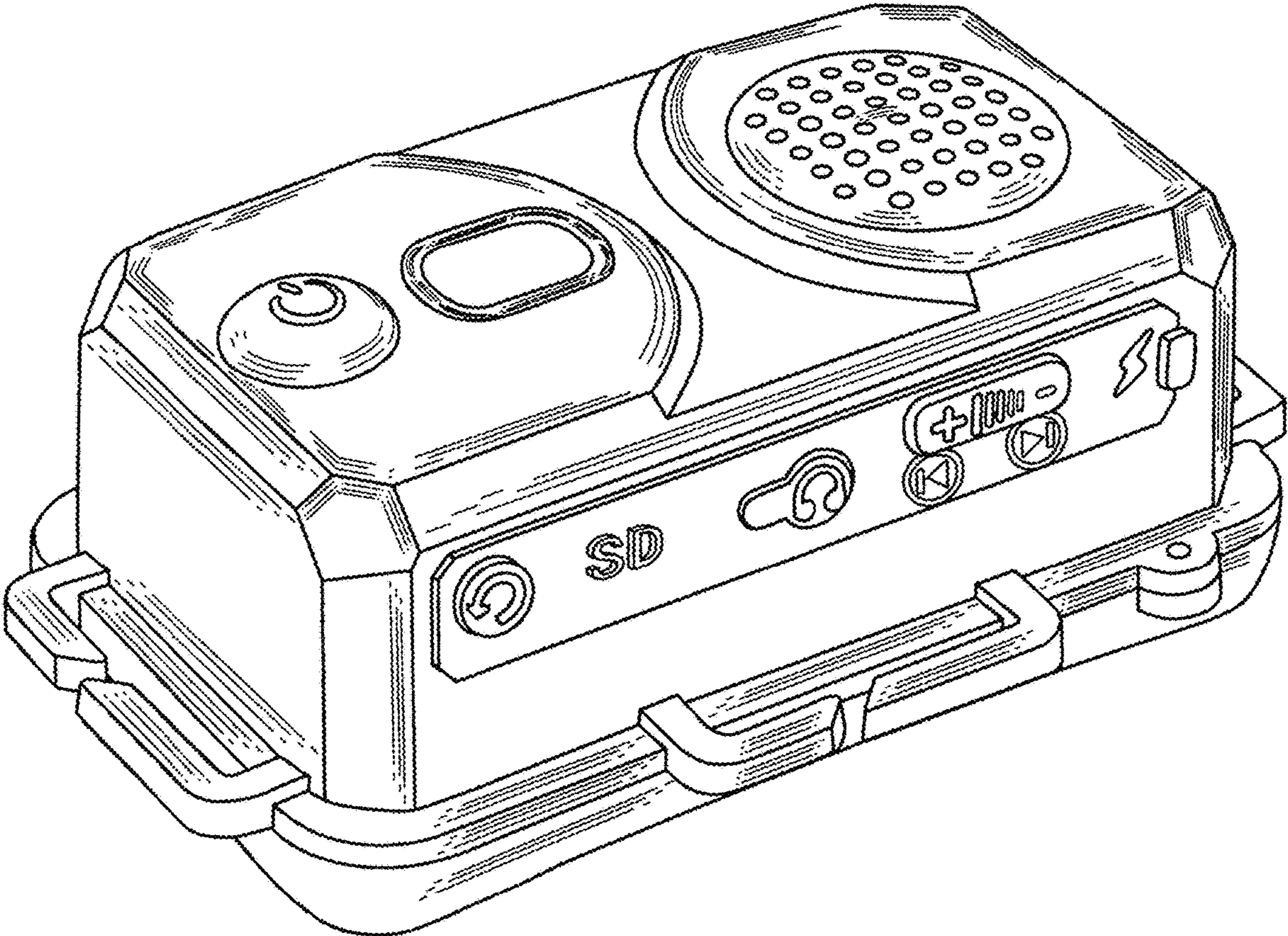


FIG.1

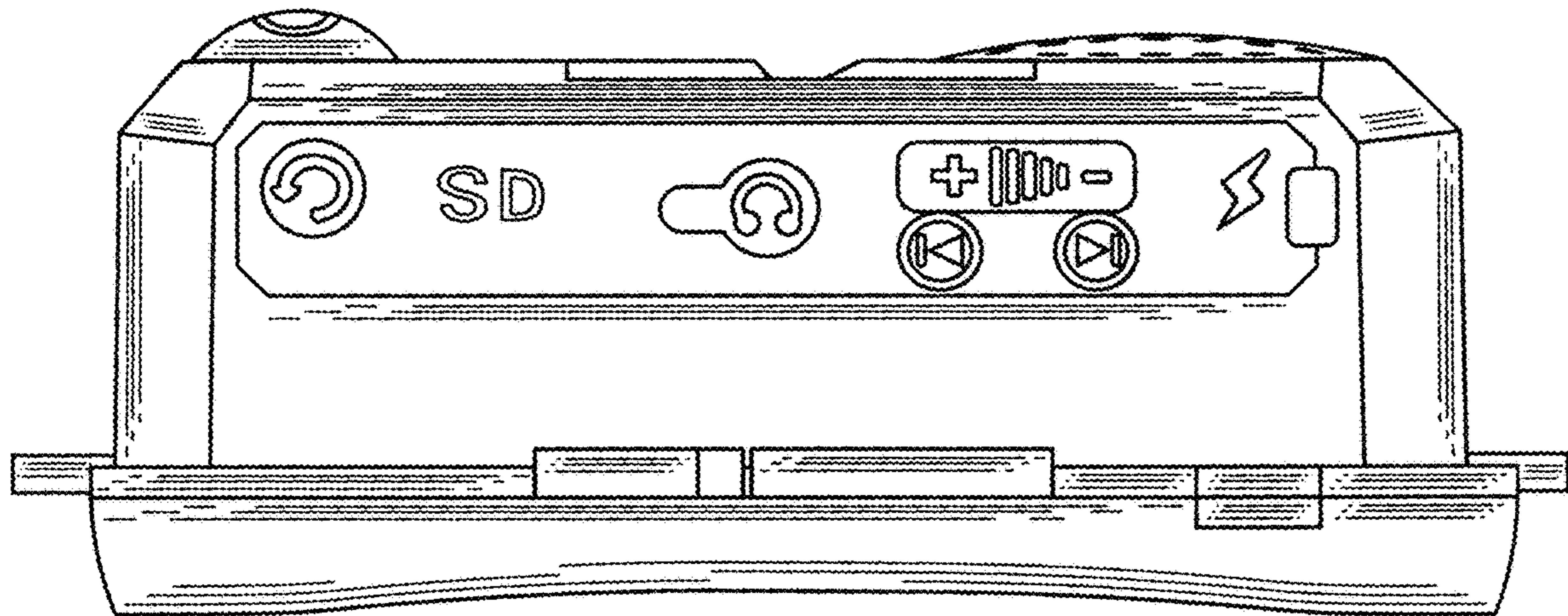


FIG.2

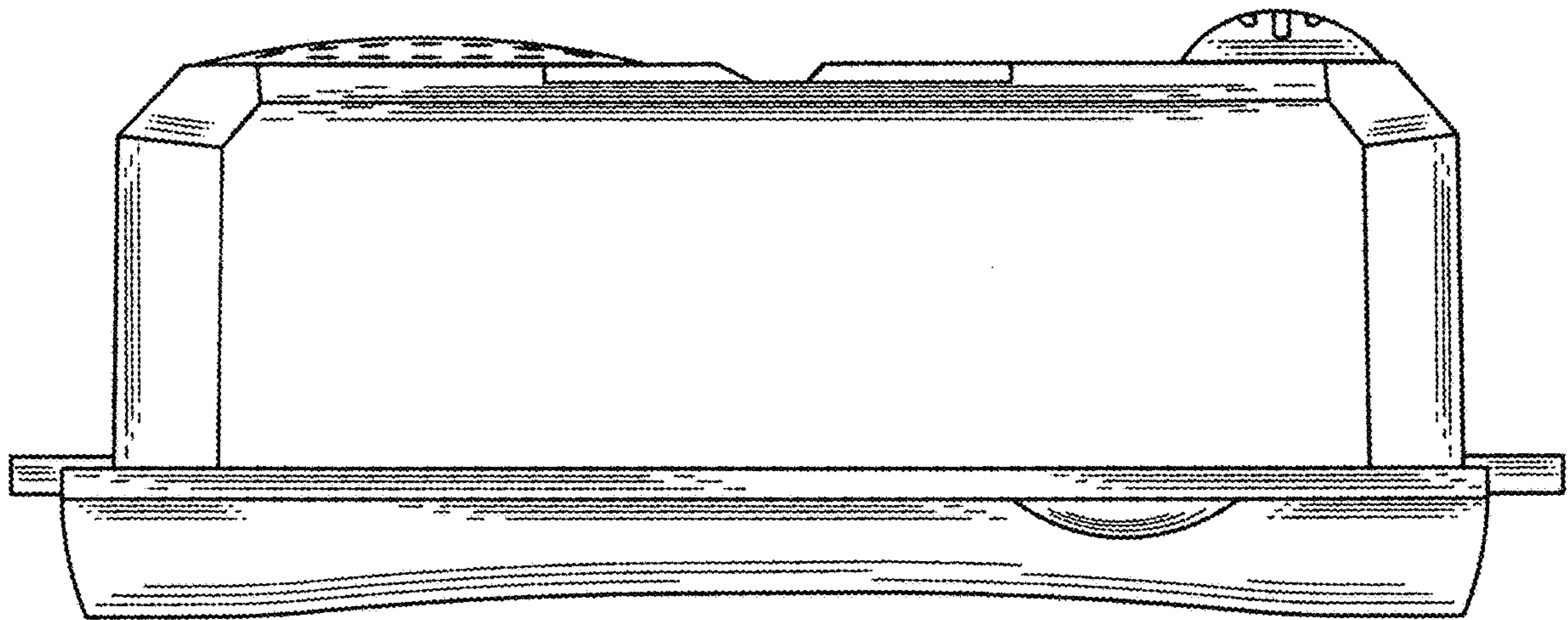


FIG.3

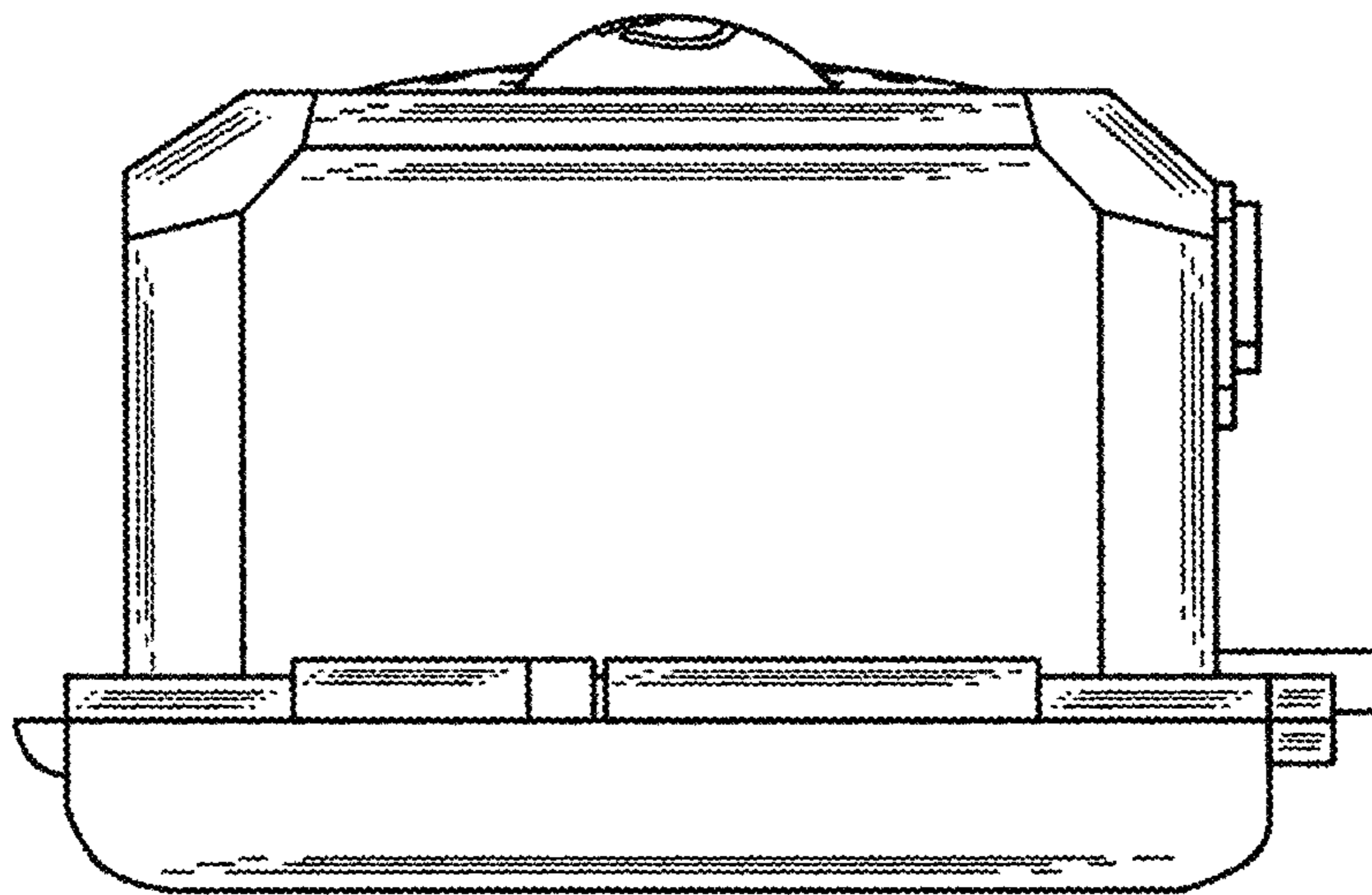


FIG.4

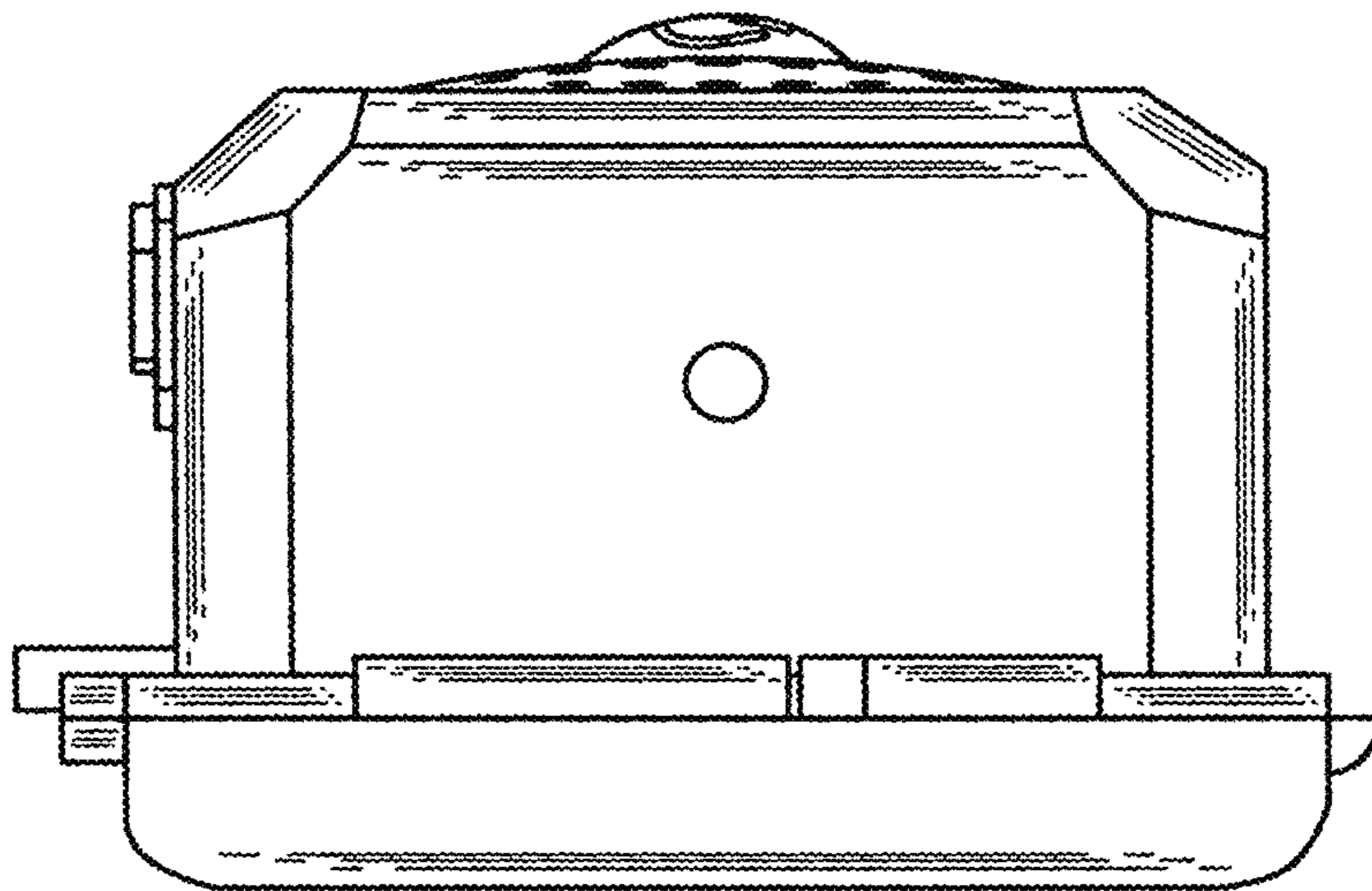


FIG.5

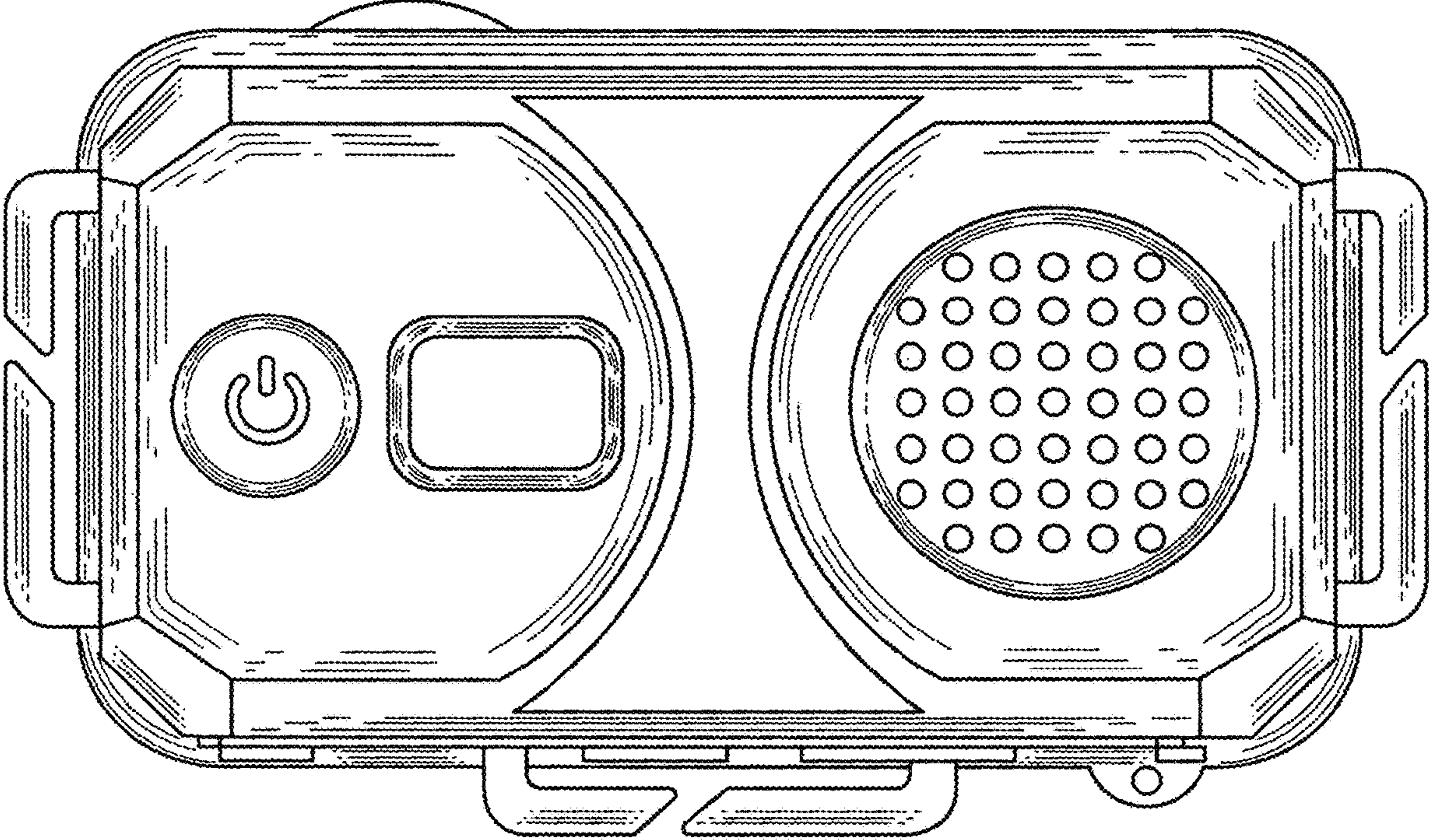


FIG.6

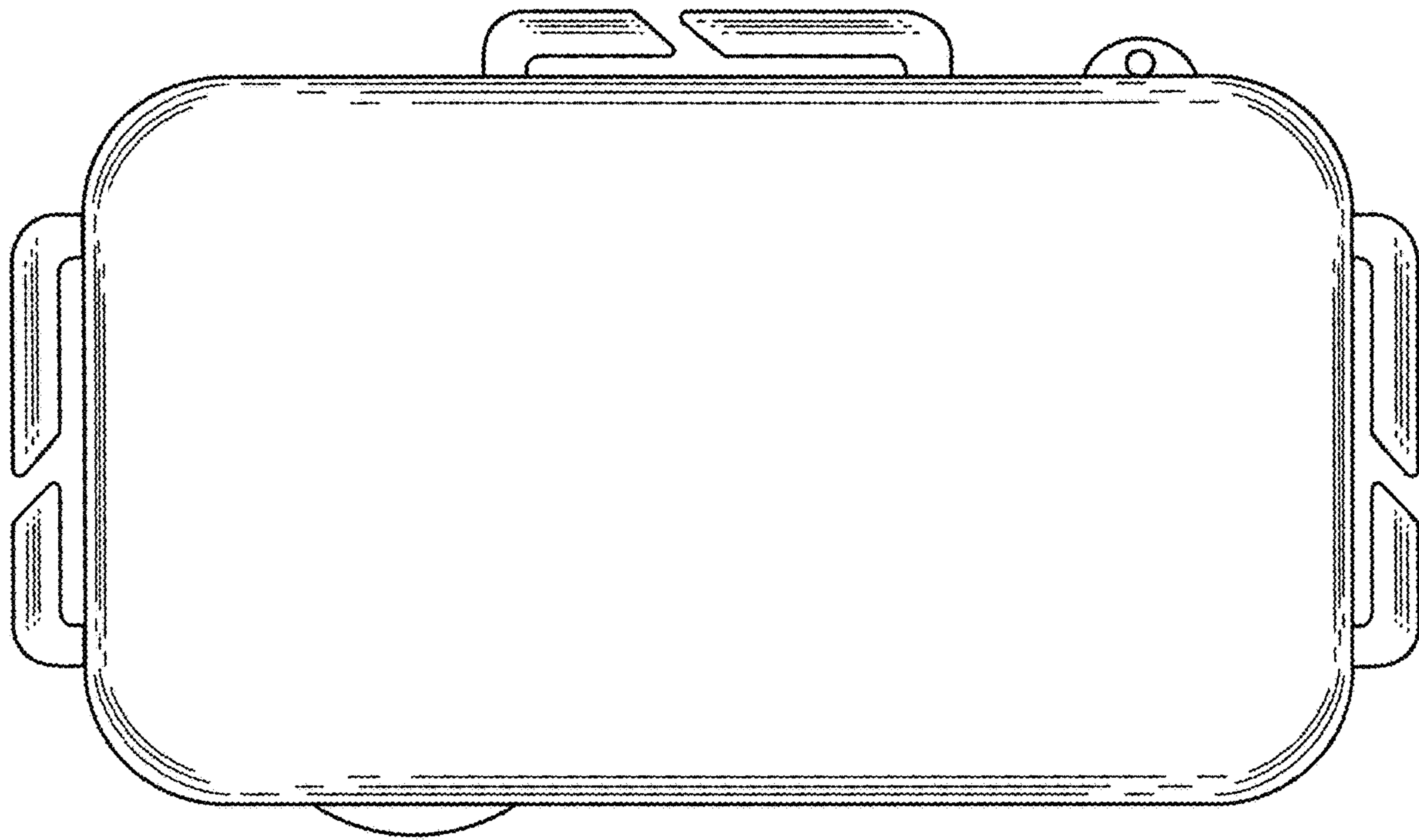


FIG. 7