



US00D876338S

(12) **United States Design Patent**  
**Shirouzu et al.**

(10) **Patent No.:** **US D876,338 S**  
(45) **Date of Patent:** **\*\* Feb. 25, 2020**

(54) **REACTOR**

(71) Applicant: **FANUC CORPORATION**, Yamanashi (JP)

(72) Inventors: **Masatomo Shirouzu**, Yamanashi (JP);  
**Takafumi Kajiya**, Yamanashi (JP);  
**Takuya Maeda**, Yamanashi (JP);  
**Kenichi Tsukada**, Yamanashi (JP)

(73) Assignee: **FANUC CORPORATION** (JP)

(\*\*) Term: **15 Years**

(21) Appl. No.: **29/618,284**

(22) Filed: **Sep. 20, 2017**

(30) **Foreign Application Priority Data**

Mar. 23, 2017 (JP) ..... 2017-005934

(51) **LOC (12) Cl.** ..... **13-02**

(52) **U.S. Cl.**  
USPC ..... **D13/101**

(58) **Field of Classification Search**  
USPC ..... D13/101, 112, 110, 113–116, 122, 184,  
D13/199; D15/3, 5, 199  
CPC ..... C07C 1/041; H01F 27/06; H01F 29/025;  
H02P 13/00  
See application file for complete search history.

(56) **References Cited**

**U.S. PATENT DOCUMENTS**

D691,085 S *	10/2013	Shargots	.....	D13/101
D693,300 S *	11/2013	Fukasawa	.....	D13/112
D695,677 S *	12/2013	Ales	.....	D13/101
D714,717 S	10/2014	Nakanoue et al.		
D735,662 S *	8/2015	Ward	.....	D13/108
9,620,253 B2 *	4/2017	Edwards	.....	G21C 13/02
2004/0080220 A1 *	4/2004	Yamamoto	.....	H02K 5/20 310/64
2005/0023925 A1 *	2/2005	Yamamoto	.....	H02K 15/02 310/216.001
2010/0316181 A1 *	12/2010	Thome	.....	F22B 1/023 376/372

(Continued)

**FOREIGN PATENT DOCUMENTS**

CN 301176225 S 4/2010  
CN 301995454 S 7/2012

(Continued)

**OTHER PUBLICATIONS**

Taiwan Notice of Allowance for Taiwan Application No. 106305601, dated Apr. 18, 2018 with Search Report and Translation, 4 pages.

*Primary Examiner* — Bridget L Eland

(74) *Attorney, Agent, or Firm* — RatnerPrestia

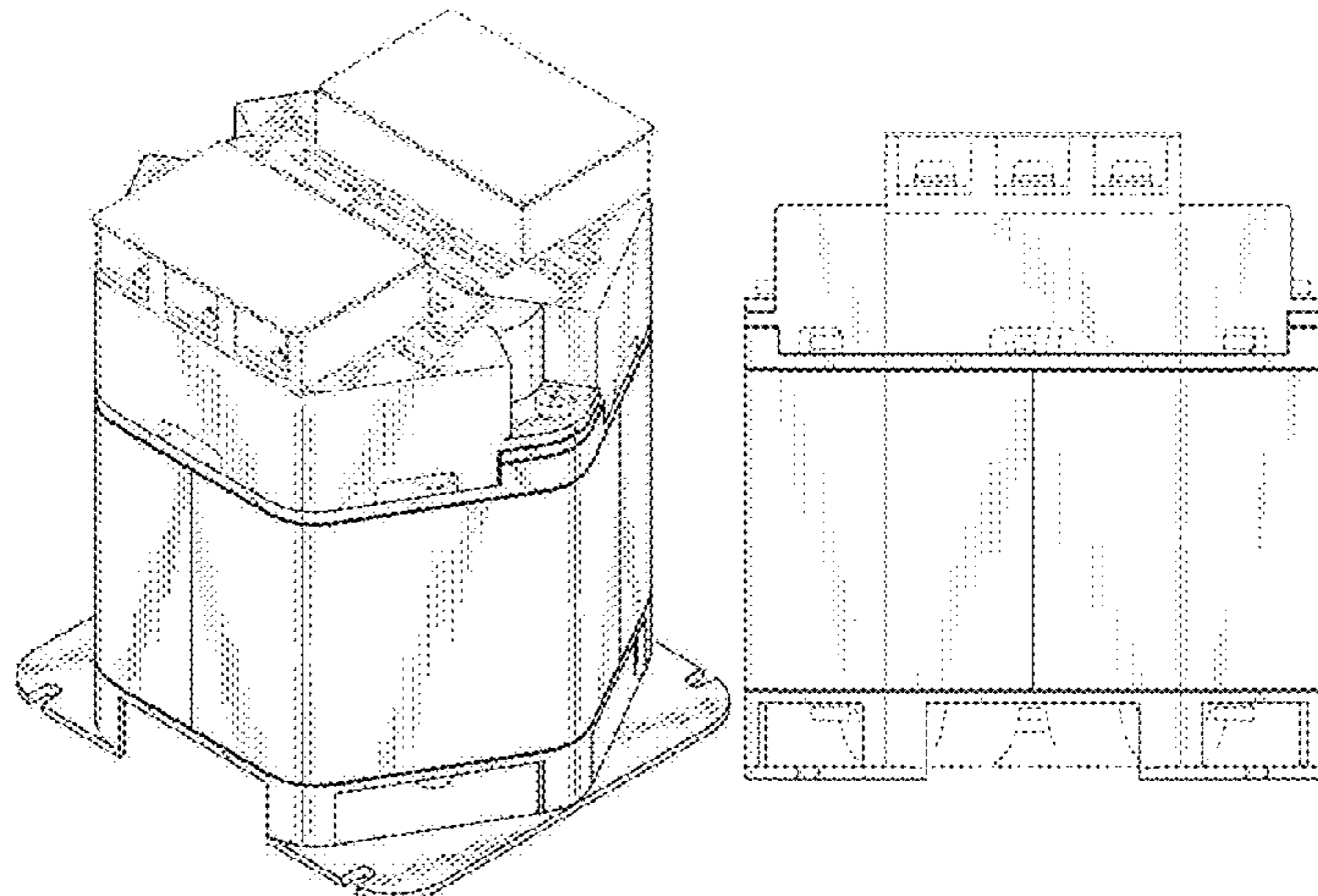
(57) **CLAIM**

The ornamental design for a reactor, as shown and described.

**DESCRIPTION**

FIG. 1 is a perspective view of a reactor showing our new design;  
FIG. 2 is a front elevational view thereof;  
FIG. 3 is a rear elevational view thereof;  
FIG. 4 is a right side elevational view thereof; the left side elevational view is a mirror image of the right side elevational view;  
FIG. 5 is a top plan view thereof; and,  
FIG. 6 is a bottom plan view thereof.  
The dot-dash broken lines and broken lines immediately adjacent to the full line showing of the claimed design represent the bounds of the claimed design while all other broken lines are directed to environment and are for illustrative purposes only; the broken lines form no part of the claimed design. In addition, the unshaded surfaces in the FIG. 6 view that directly adjoin the claimed solid line edge form no part of the claimed design.

**1 Claim, 4 Drawing Sheets**



(56)

References Cited

U.S. PATENT DOCUMENTS

2014/0103755 A1\* 4/2014 Maeda ..... H02K 7/04  
310/51  
2017/0011842 A1 1/2017 Ishigaki et al.  
2017/0154718 A1 6/2017 Maeda et al.  
2017/0372828 A1\* 12/2017 Shirouzu ..... H01F 27/06  
2018/0025830 A1\* 1/2018 Tsukada ..... H01F 27/22  
336/198  
2018/0068776 A1\* 3/2018 Maeda ..... H01F 27/266  
2018/0068783 A1\* 3/2018 Maeda ..... H01F 27/04  
2018/0090262 A1\* 3/2018 Tsukada ..... H01F 41/076  
2018/0122564 A1\* 5/2018 Tsukada ..... H01F 27/02  
2018/0182529 A1\* 6/2018 Shirouzu ..... H01F 3/12  
2018/0182540 A1\* 6/2018 Shirouzu ..... H01F 30/04  
2018/0204667 A1\* 7/2018 Tsukada ..... H01F 3/14  
2018/0233265 A1\* 8/2018 Tsukada ..... H01F 3/14  
2018/0233275 A1\* 8/2018 Tsukada ..... H01F 3/14  
2018/0254135 A1\* 9/2018 Tsukada ..... H01F 27/025  
2018/0261371 A1\* 9/2018 Tsukada ..... H01F 27/025  
2018/0261374 A1\* 9/2018 Tsukada ..... H01F 27/085  
2018/0268991 A1\* 9/2018 Tsukada ..... H01F 27/24  
2018/0277295 A1\* 9/2018 Shirouzu ..... H01F 27/245  
2018/0311640 A1\* 11/2018 Yoshida ..... B01J 19/24  
2018/0336984 A1\* 11/2018 Yoshida ..... H01F 3/14  
2018/0358165 A1\* 12/2018 Yoshida ..... H01F 3/14  
2018/0366252 A1\* 12/2018 Yoshida ..... H01F 3/14  
2018/0366268 A1\* 12/2018 Yoshida ..... H01F 37/00

2019/0013134 A1\* 1/2019 Yoshida ..... H01F 27/28  
2019/0013136 A1\* 1/2019 Tsukada ..... H01F 27/263  
2019/0013137 A1\* 1/2019 Shirouzu ..... H01F 27/263  
2019/0013139 A1\* 1/2019 Shirouzu ..... H01F 27/24  
2019/0019614 A1\* 1/2019 Yoshida ..... H01F 3/14  
2019/0027299 A1\* 1/2019 Yoshida ..... H01F 27/24  
2019/0035530 A1\* 1/2019 Yoshida ..... H01F 27/26  
2019/0035531 A1\* 1/2019 Yoshida ..... H01F 27/28  
2019/0035537 A1\* 1/2019 Yoshida ..... H01F 27/306  
2019/0035539 A1\* 1/2019 Yoshida ..... H01F 27/33

FOREIGN PATENT DOCUMENTS

CN	301995456 S	7/2012
CN	302836056 S	6/2014
CN	302895052 S	7/2014
CN	302992922 S	11/2014
CN	303041636 S	12/2014
JP	53073352 A	6/1978
JP	2005192044 A1	7/2005
JP	2008177500 A	7/2008
JP	2010252539 A	11/2010
JP	2013074084 A	4/2013
JP	2015159657 A	9/2015
JP	2017059805 A	3/2017
JP	2017103269 A	6/2017
JP	2017139438 A	8/2017

\* cited by examiner

FIG. 1

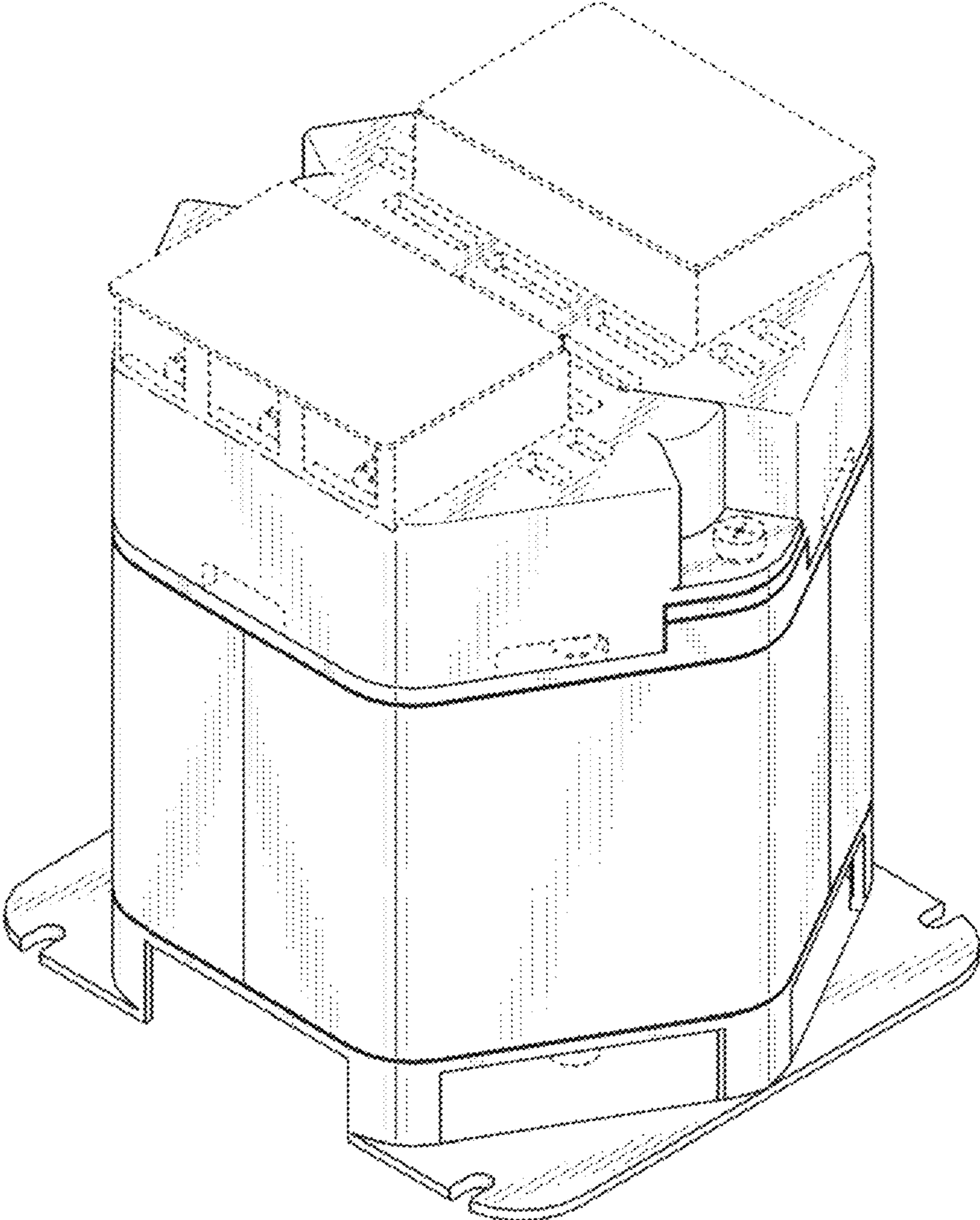


FIG. 2

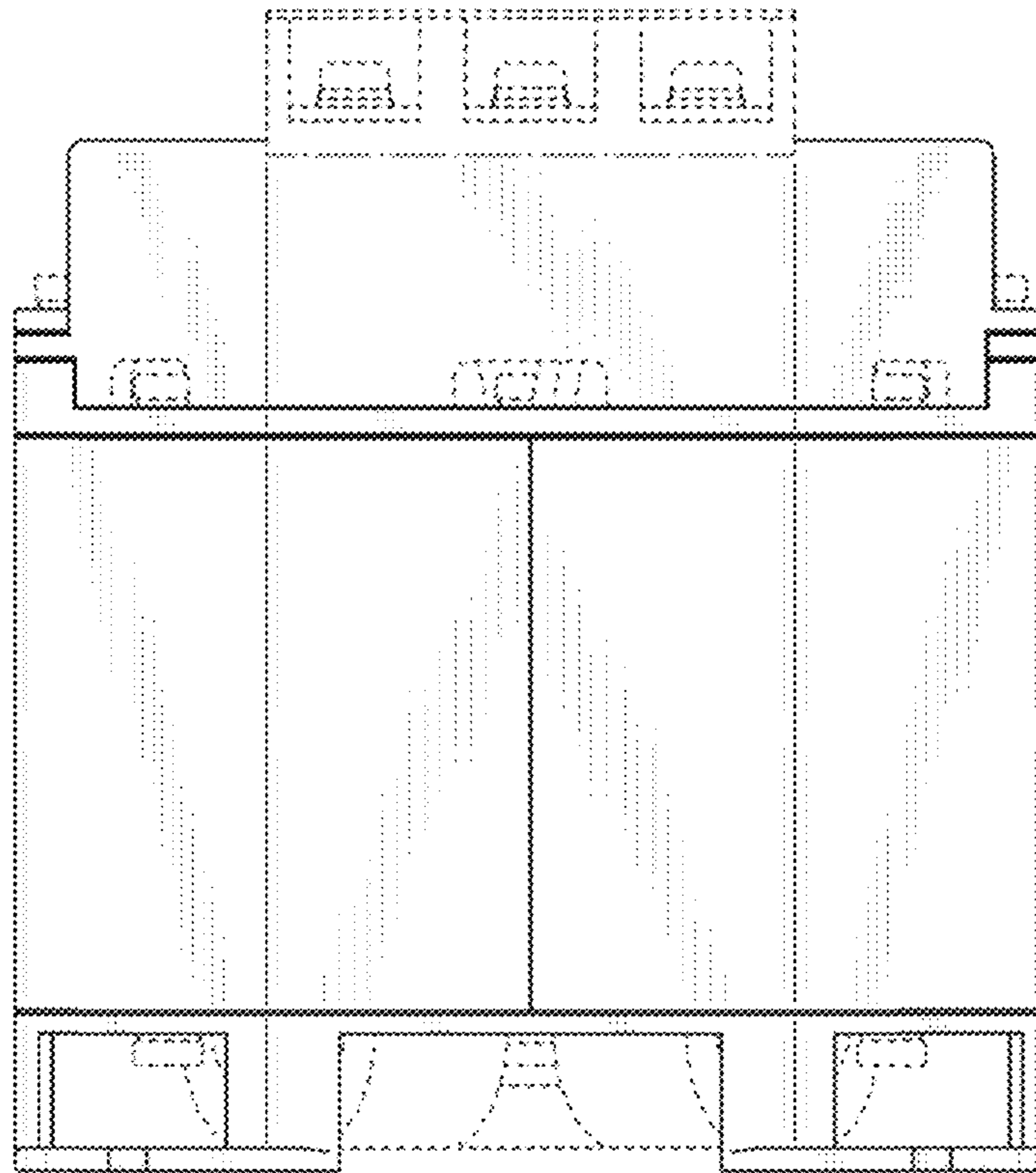


FIG. 3

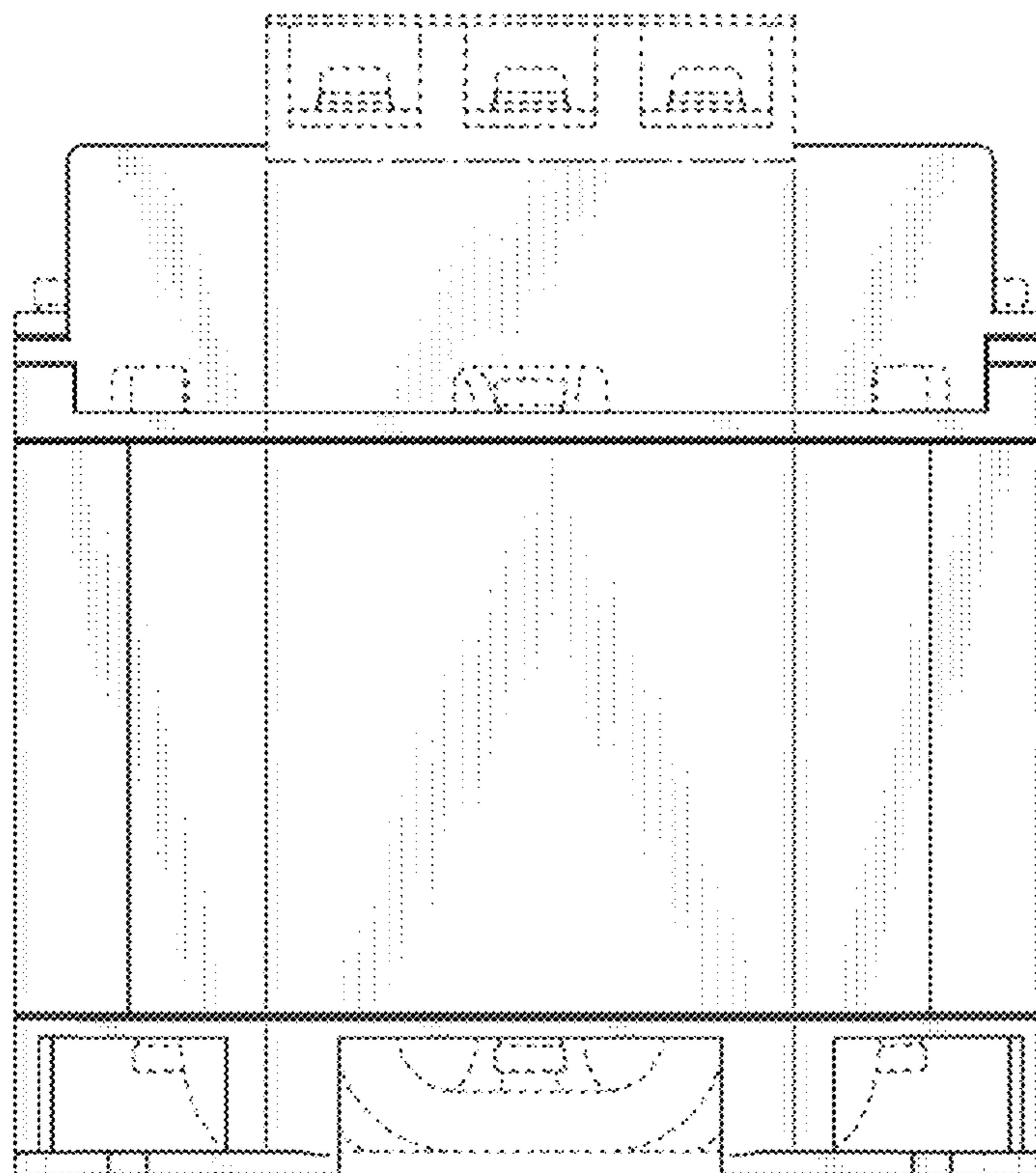


FIG. 4

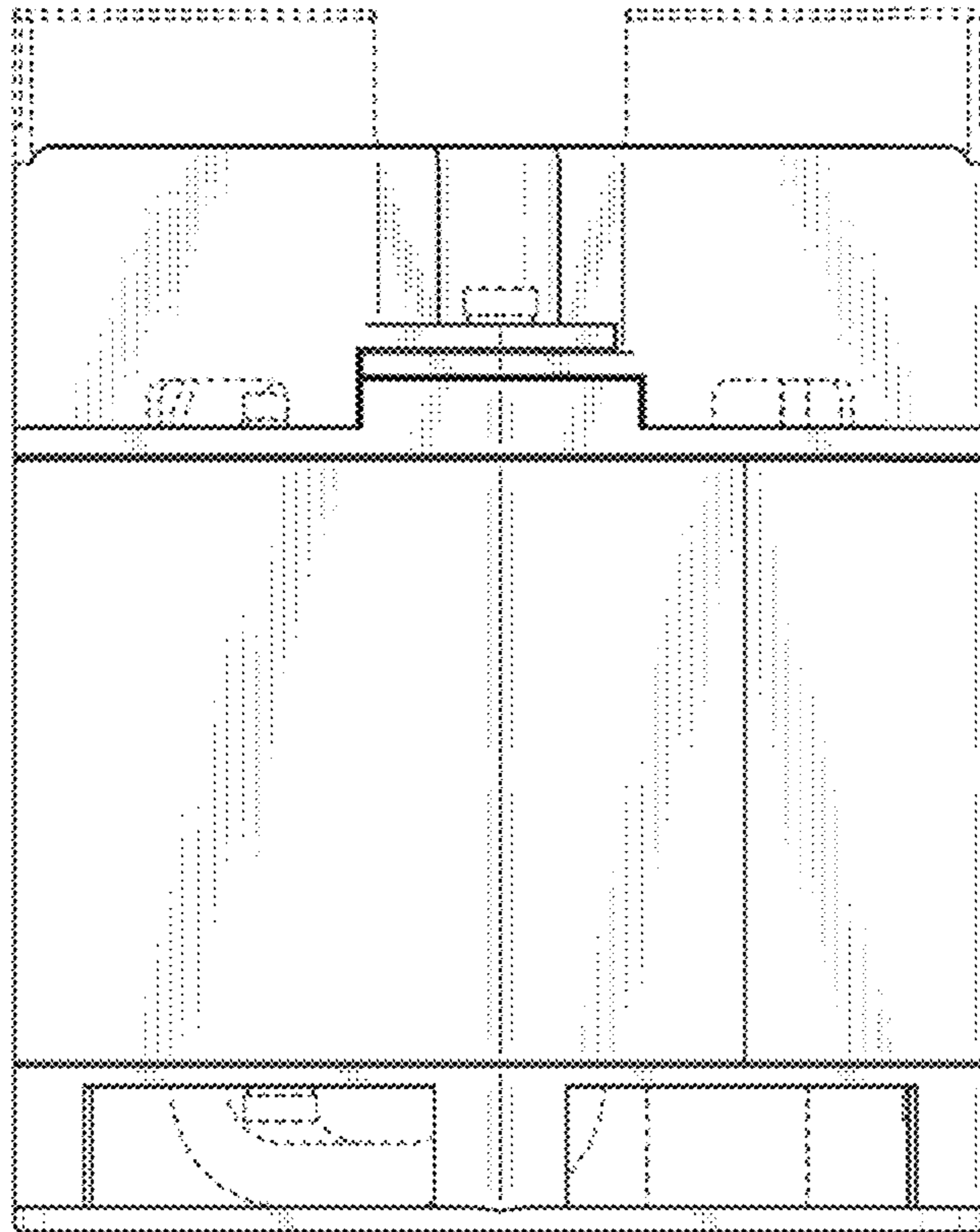


FIG. 5

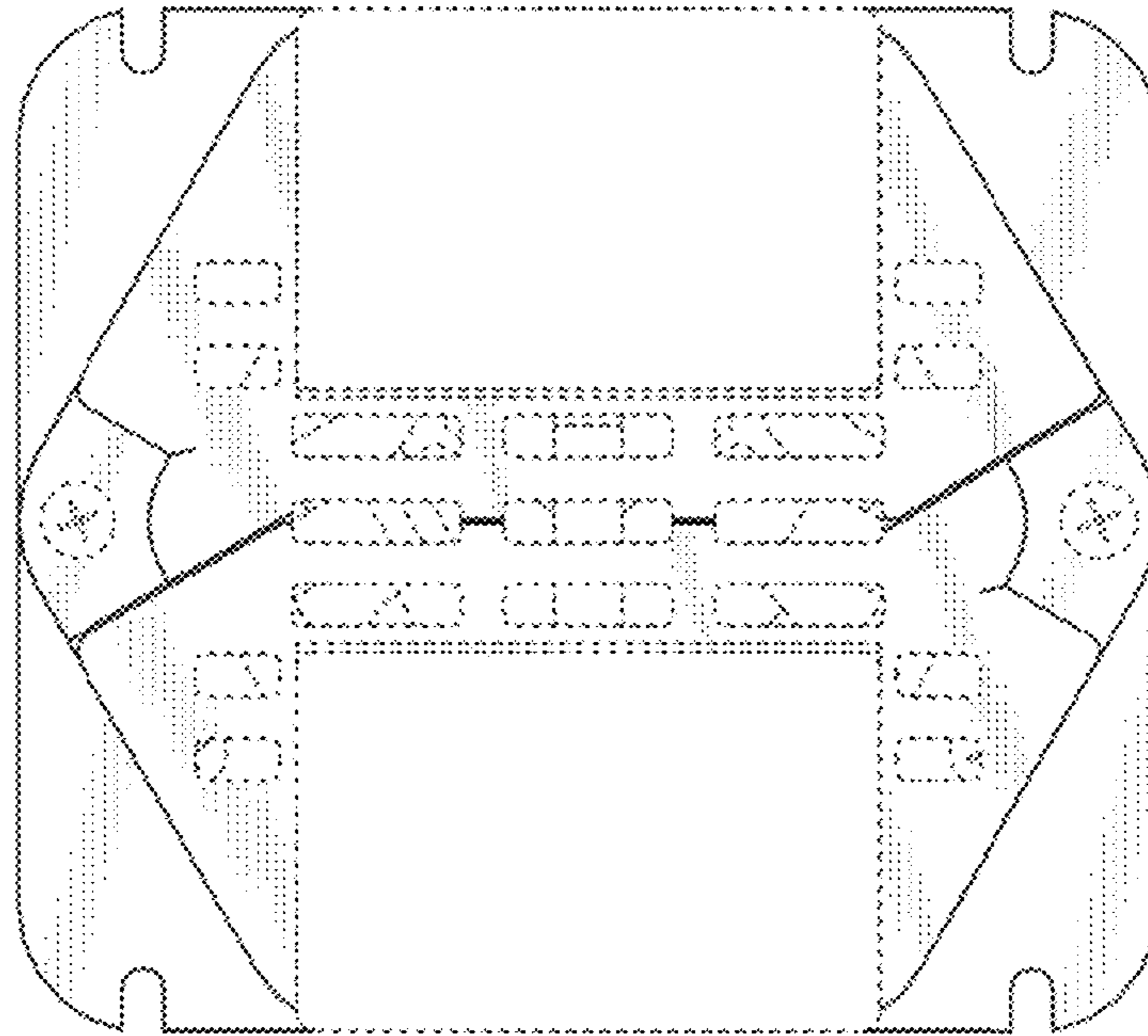


FIG. 6

