



US00D876332S

(12) **United States Design Patent** (10) **Patent No.:** **US D876,332 S**  
**Scheifele** (45) **Date of Patent:** **\*\* Feb. 25, 2020**

(54) **TIRE SIDEWALL**  
(71) Applicant: **Bridgestone Americas Tire Operations, LLC, Nashville, TN (US)**  
(72) Inventor: **Kevin E. Scheifele, Atwater, OH (US)**  
(73) Assignee: **Bridgestone Americas Tire Operations, LLC, Nashville, TN (US)**  
(\*\*) Term: **15 Years**  
(21) Appl. No.: **29/614,254**  
(22) Filed: **Aug. 17, 2017**  
(51) **LOC (12) Cl.** ..... **12-15**  
(52) **U.S. Cl.**  
USPC ..... **D12/605**  
(58) **Field of Classification Search**  
USPC ..... D12/604, 605  
CPC ..... B60C 13/00; B60C 1/00  
See application file for complete search history.

D623,588 S \* 9/2010 Swartzwelder ..... D12/605  
D632,641 S 2/2011 Sato  
D662,466 S 6/2012 Takano  
D670,643 S 11/2012 Kuwano  
D670,644 S 11/2012 Miyazaki  
D674,744 S 1/2013 Miyazaki  
8,695,664 B2 4/2014 Fujioka  
D708,120 S 7/2014 Iwabuchi  
D709,025 S \* 7/2014 Takahashi ..... D12/605  
D710,297 S 8/2014 Itoi  
D749,498 S \* 2/2016 Ropars ..... D12/605  
D760,158 S \* 6/2016 Vandaele ..... D12/605  
D768,565 S \* 10/2016 Yasunaga ..... D12/605  
D789,878 S \* 6/2017 Vandaele ..... D12/605  
D789,879 S \* 6/2017 Itoi ..... D12/605  
D792,842 S \* 7/2017 Itoi ..... D12/605  
D804,402 S \* 12/2017 Kamada ..... D12/605  
D806,643 S \* 1/2018 Yasunaga ..... D12/605  
D807,284 S \* 1/2018 Iwabuchi ..... D12/605

(Continued)

*Primary Examiner* — Michelle E. Wilson  
*Assistant Examiner* — Clese Moore, Jr.  
(74) *Attorney, Agent, or Firm* — Shaun J. Fox

(57) **CLAIM**

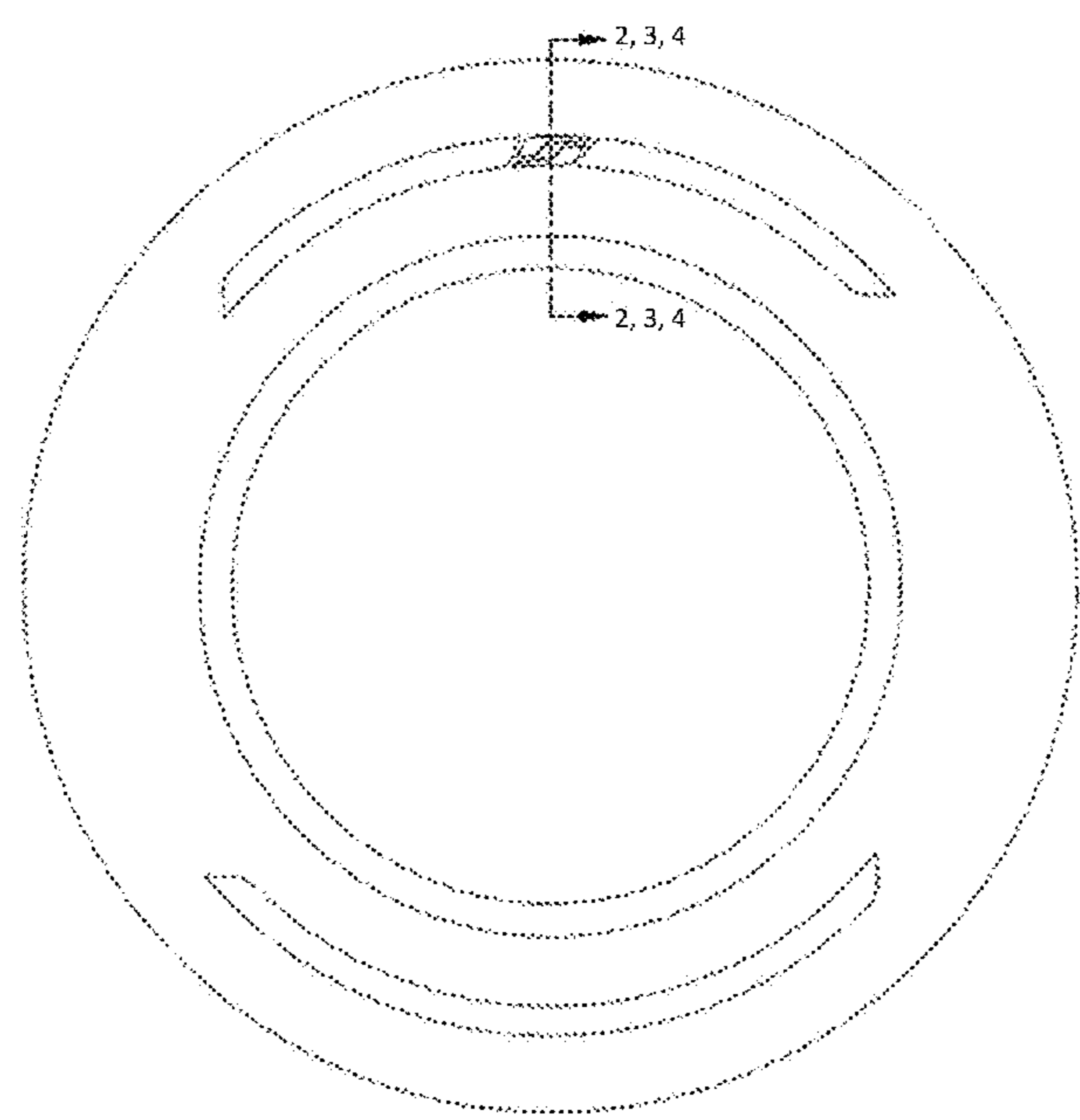
The ornamental design for a tire sidewall, as shown and described.

**DESCRIPTION**

FIG. 1 is a side elevational view of a tire sidewall showing my new design;  
FIG. 2 is a cross-sectional view taken along 2-2 of FIG. 1, showing my design in a first environmental of use;  
FIG. 3 is cross-sectional view taken along 3-3 of FIG. 1, showing my design in a second environmental of use; and,  
FIG. 4 is cross-sectional view taken along 4-4 of FIG. 1, showing my design in a third environmental of use.  
In the drawings, the broken lines depict environmental subject matter only and form no part of the claimed design.

**1 Claim, 2 Drawing Sheets**

(56) **References Cited**  
U.S. PATENT DOCUMENTS  
D450,034 S 11/2001 Kajikawa  
D544,831 S 6/2007 Kikkawa et al.  
D549,167 S \* 8/2007 Iwabuchi ..... D12/605  
D550,151 S 9/2007 Maxwell  
D555,583 S 11/2007 Itoi  
D556,127 S 11/2007 Iwabuchi  
D565,503 S \* 4/2008 Tanaka ..... D12/605  
D565,504 S \* 4/2008 Tanaka ..... D12/605  
D569,336 S 5/2008 Onoe  
D569,791 S 5/2008 Iwabuchi et al.  
D574,766 S 8/2008 Iwabuchi et al.  
D576,544 S 9/2008 Onoe  
D596,117 S \* 7/2009 Yonetsu ..... D12/605  
D598,371 S \* 8/2009 Misumi ..... D12/605  
D601,489 S \* 10/2009 Lundgren ..... D12/605  
D612,802 S 3/2010 Nakamura



(56)

**References Cited**

U.S. PATENT DOCUMENTS

D818,944 S \* 5/2018 Gohlke ..... D12/605  
D834,513 S \* 11/2018 Sakamoto ..... D12/605  
2005/0081975 A1 4/2005 Sano  
2007/0044886 A1 3/2007 Lo

\* cited by examiner

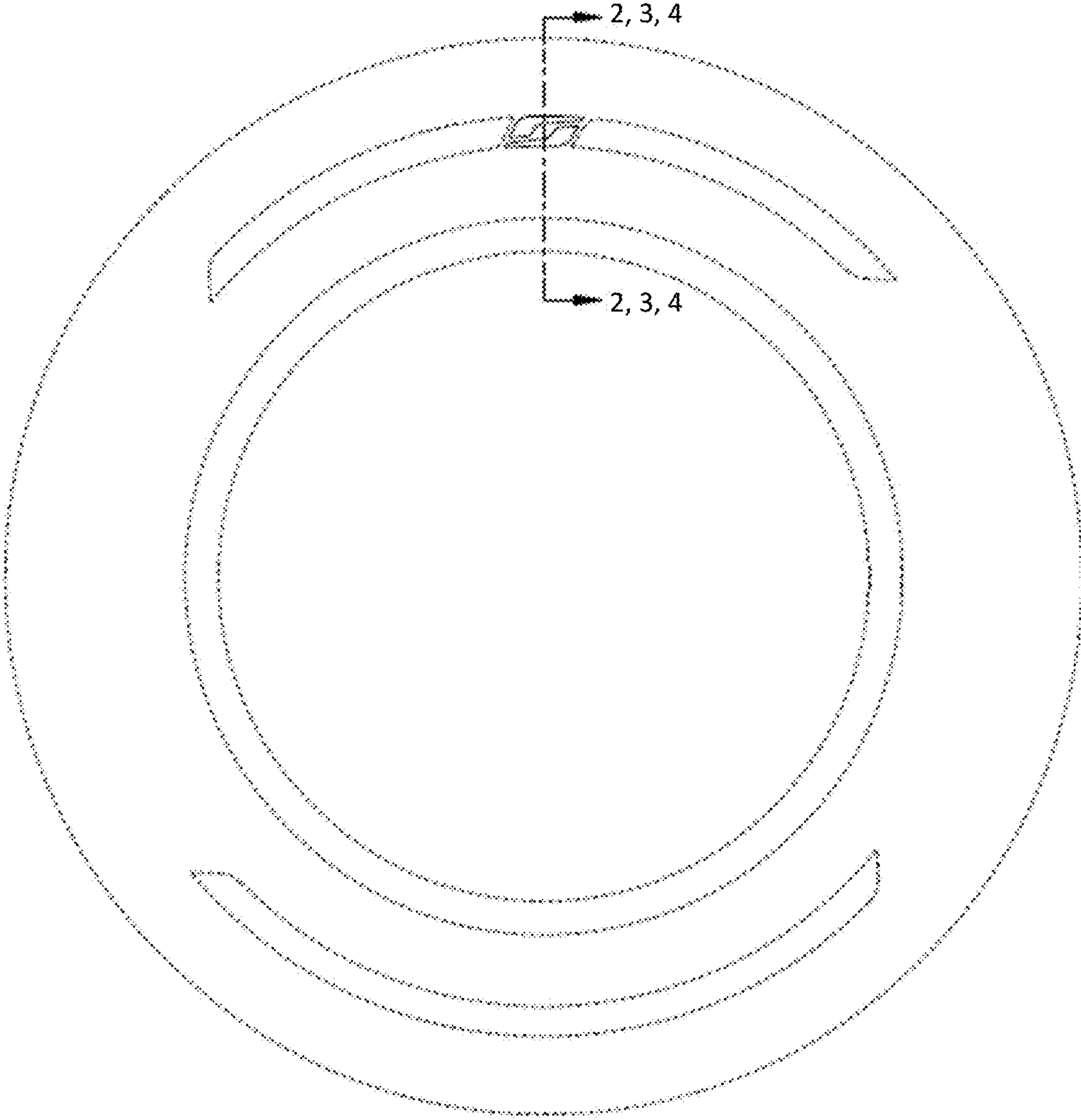
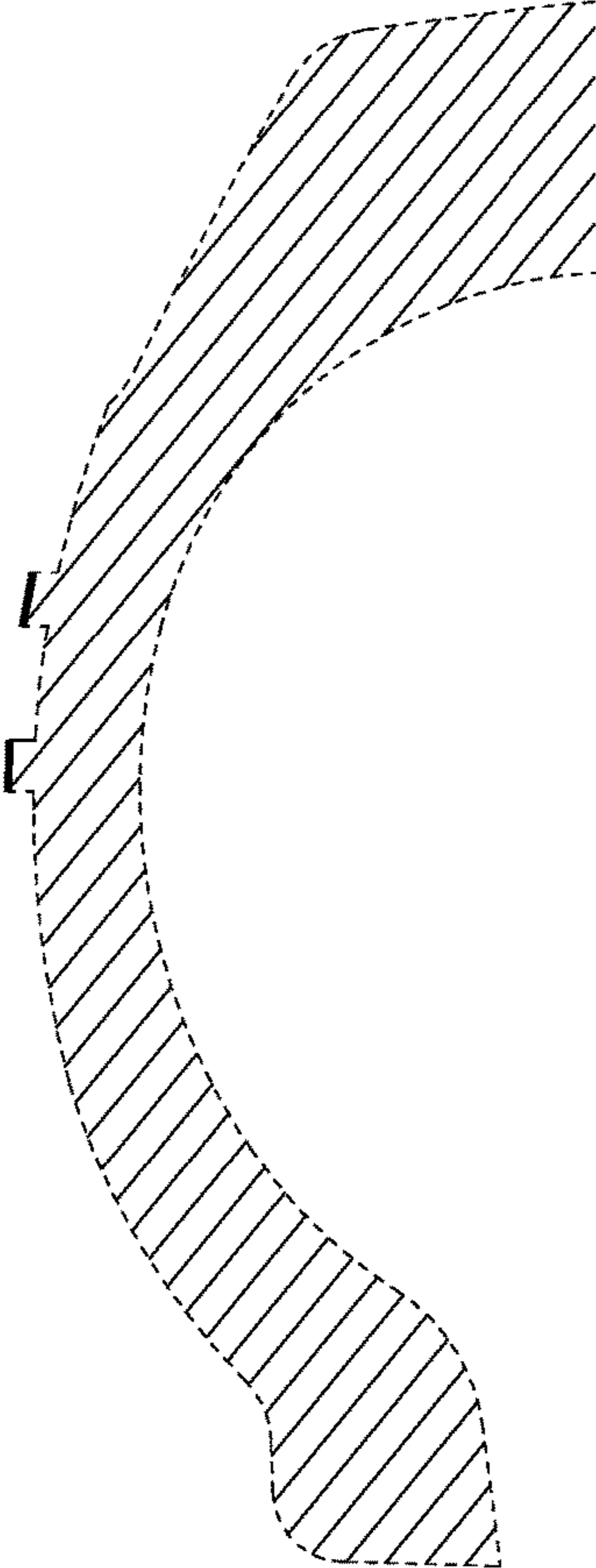
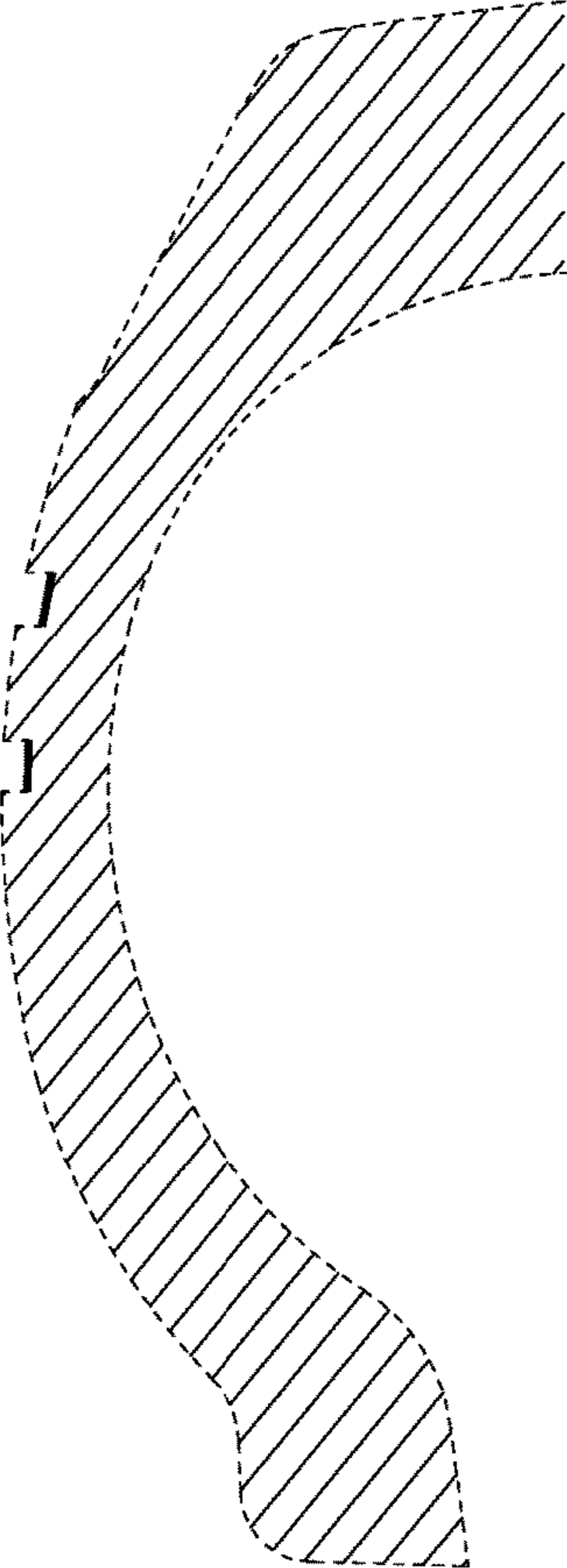


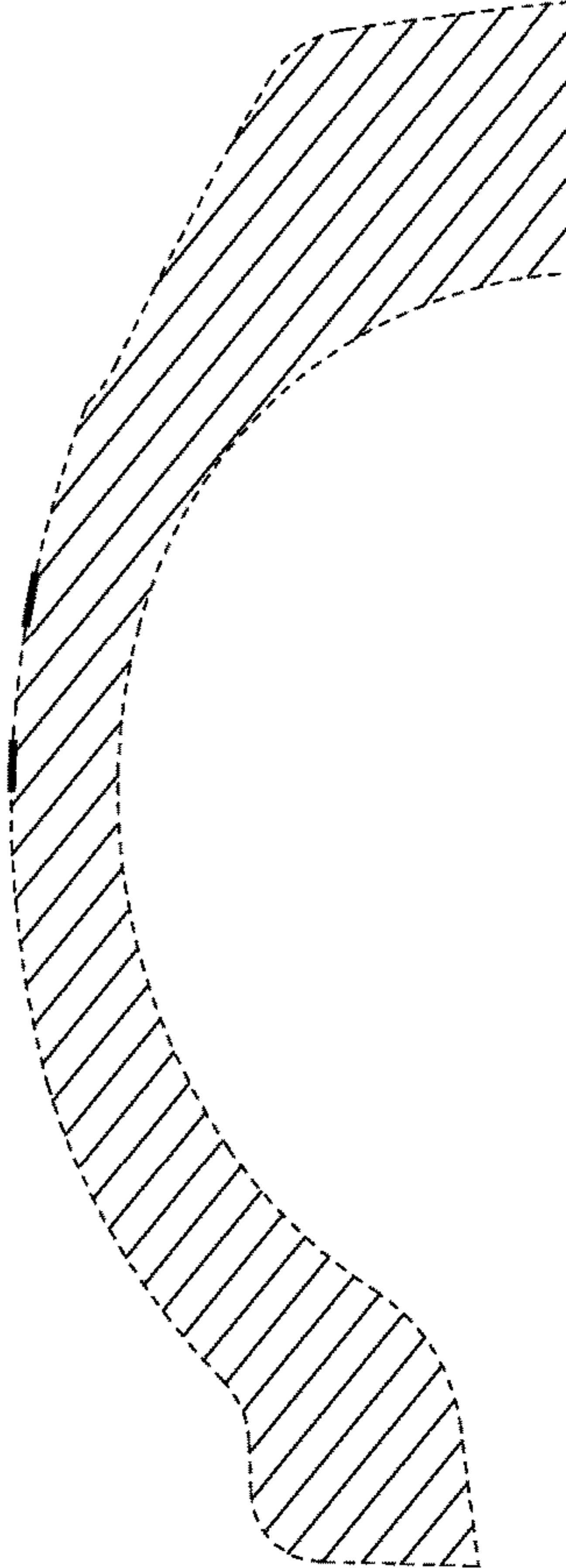
Fig. 1



**Fig. 2**



**Fig. 3**



**Fig. 4**