



US00D876326S

(12) **United States Design Patent**
Geng et al.

(10) **Patent No.:** **US D876,326 S**

(45) **Date of Patent:** **** Feb. 25, 2020**

(54) **ALL-TERRAIN VEHICLE TIRE**

D780,674 S * 3/2017 Chen D12/579
D810,671 S * 2/2018 Chen D12/579
D818,424 S * 5/2018 Podlovits D12/579

(71) Applicant: **HEBEI WANDA TYRE CO., LTD,**
Xingtai (CN)

* cited by examiner

(72) Inventors: **Peng Geng,** Xingtai (CN); **Zhili Lai,**
Xingtai (CN)

Primary Examiner — Robert M. Spear

(73) Assignee: **HEBEI WANDA TYRE CO., LTD,**
Xingtai (CN)

(74) *Attorney, Agent, or Firm* — Bayramoglu Law Offices
LLC

(**) Term: **15 Years**

(57) **CLAIM**

(21) Appl. No.: **29/676,154**

The ornamental design for all-terrain vehicle tire, as shown
and described.

(22) Filed: **Jan. 9, 2019**

(30) **Foreign Application Priority Data**

Jul. 10, 2018 (CN) 2018 3 0370735

DESCRIPTION

(51) **LOC (12) Cl.** **12-15**

(52) **U.S. Cl.**
USPC **D12/579**

(58) **Field of Classification Search**
USPC D12/579, 596, 597, 602, 603
CPC B60C 11/01; B60C 11/0306; B60C 11/11
See application file for complete search history.

FIG. 1 is a perspective view of all-terrain vehicle tire,
showing my new design;
FIG. 2 is a front view thereof;
FIG. 3 is a right view thereof;
FIG. 4 is a partial enlarged view of FIG. 2;
FIG. 5 is a partial enlarged view of FIG. 3;
FIG. 6 is a partial enlarged view of FIG. 1; and,
FIG. 7 is a cross-section view taken along the line A-A in
FIG. 2.

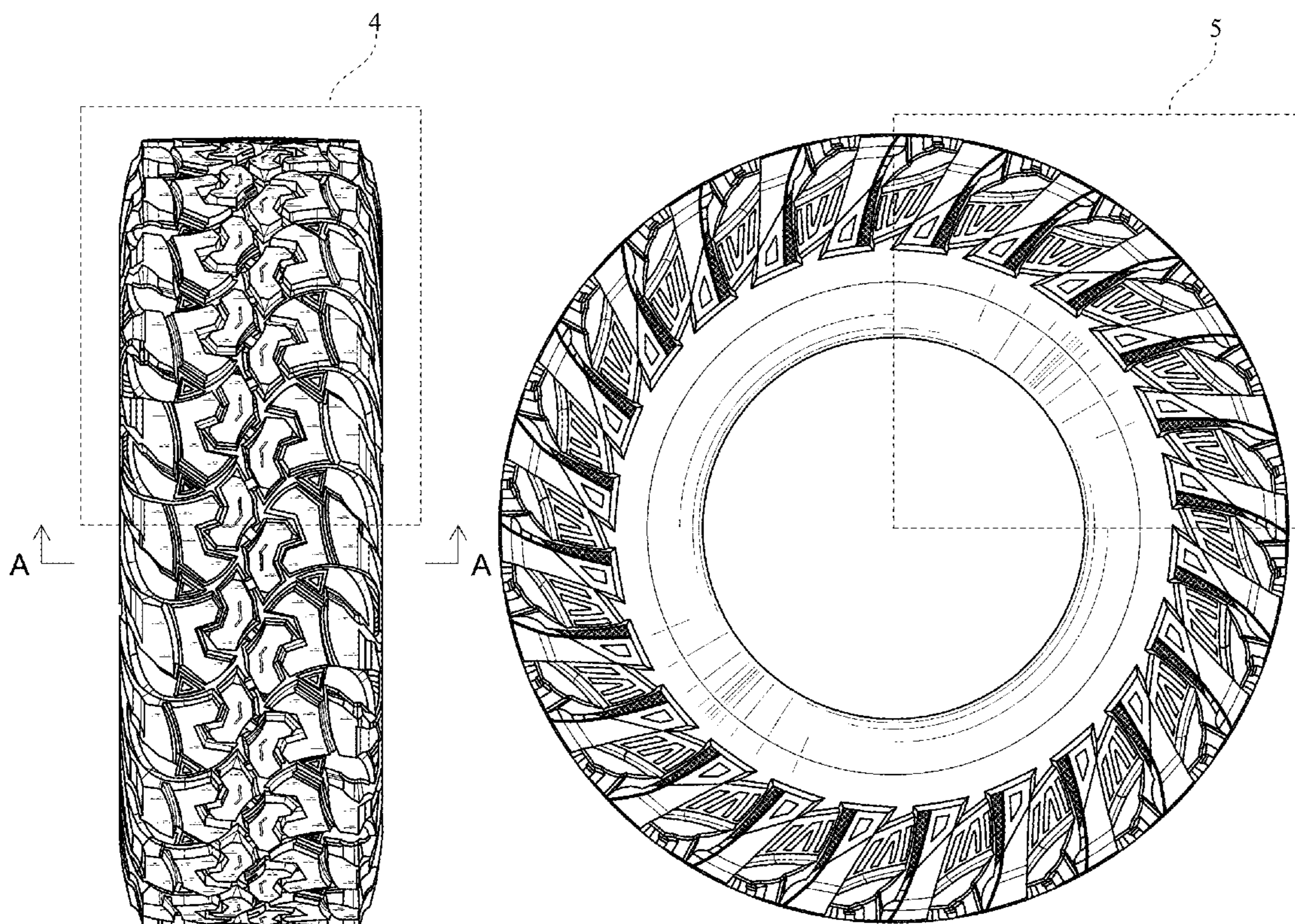
(56) **References Cited**

U.S. PATENT DOCUMENTS

D511,738 S * 11/2005 Maxwell D12/544
D744,413 S * 12/2015 Chen D12/579

The broken lines indicating an enlargement portion of the
design form no part of the claimed design.

1 Claim, 7 Drawing Sheets



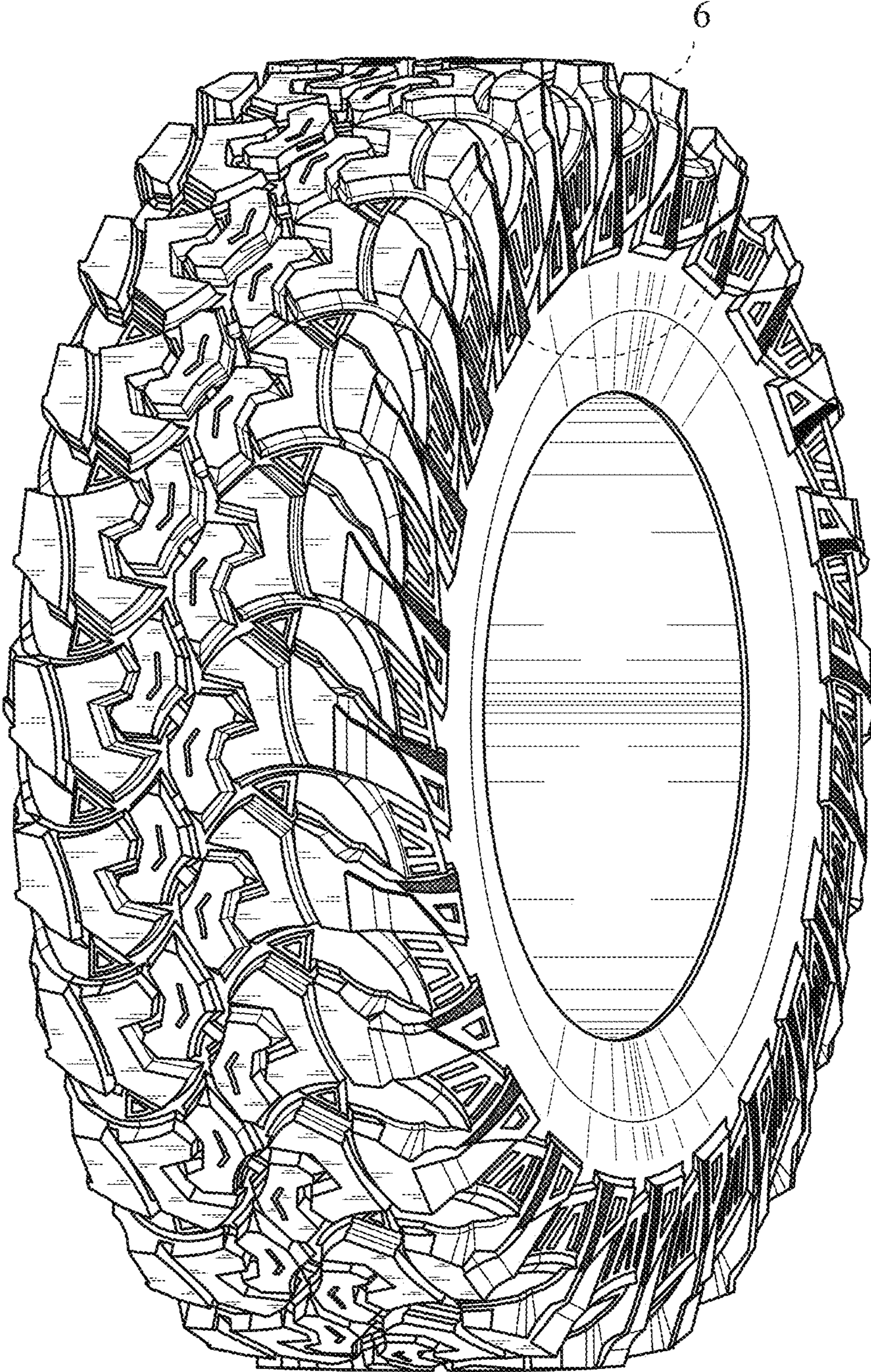


Fig. 1

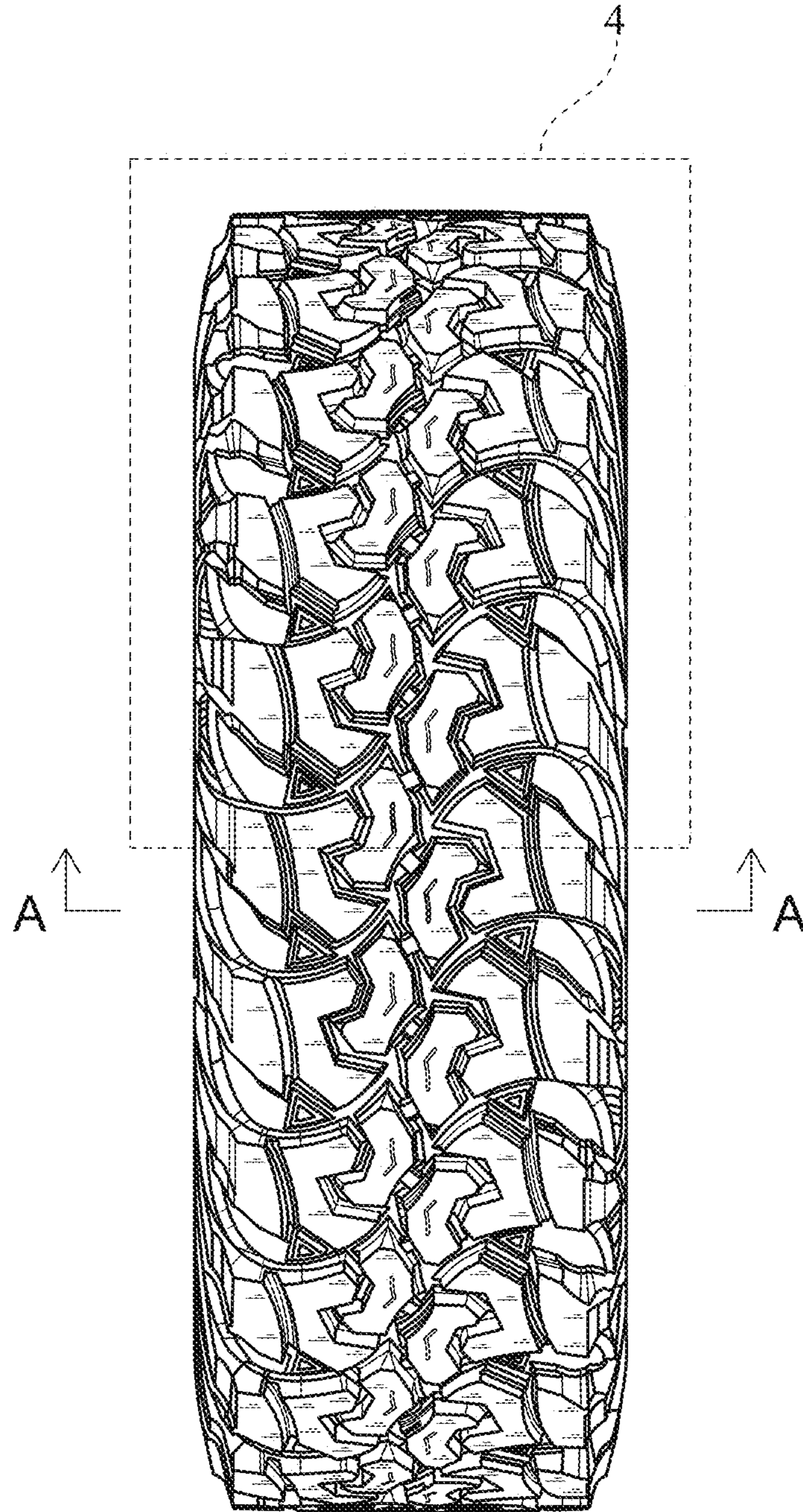


Fig. 2

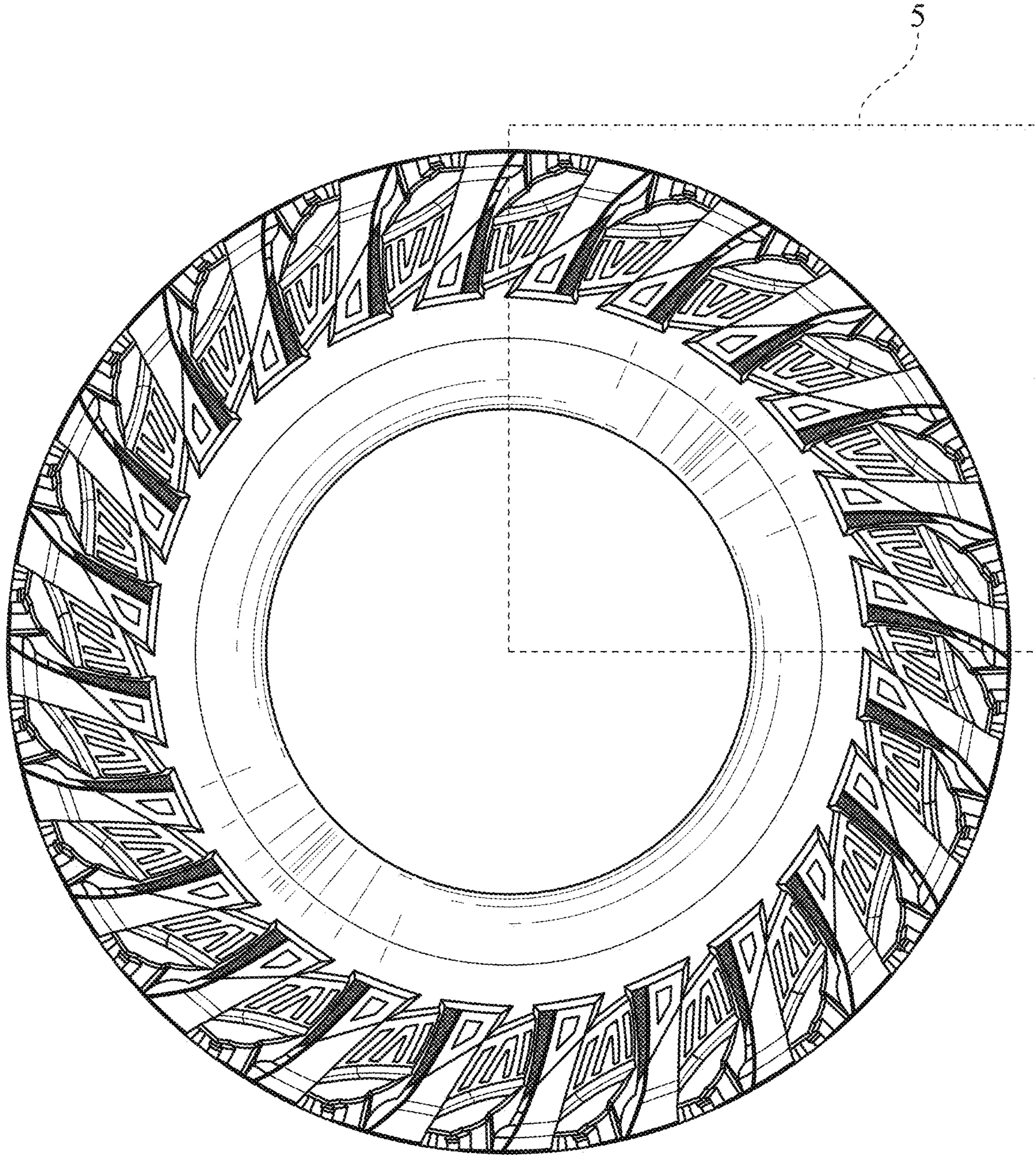


Fig. 3

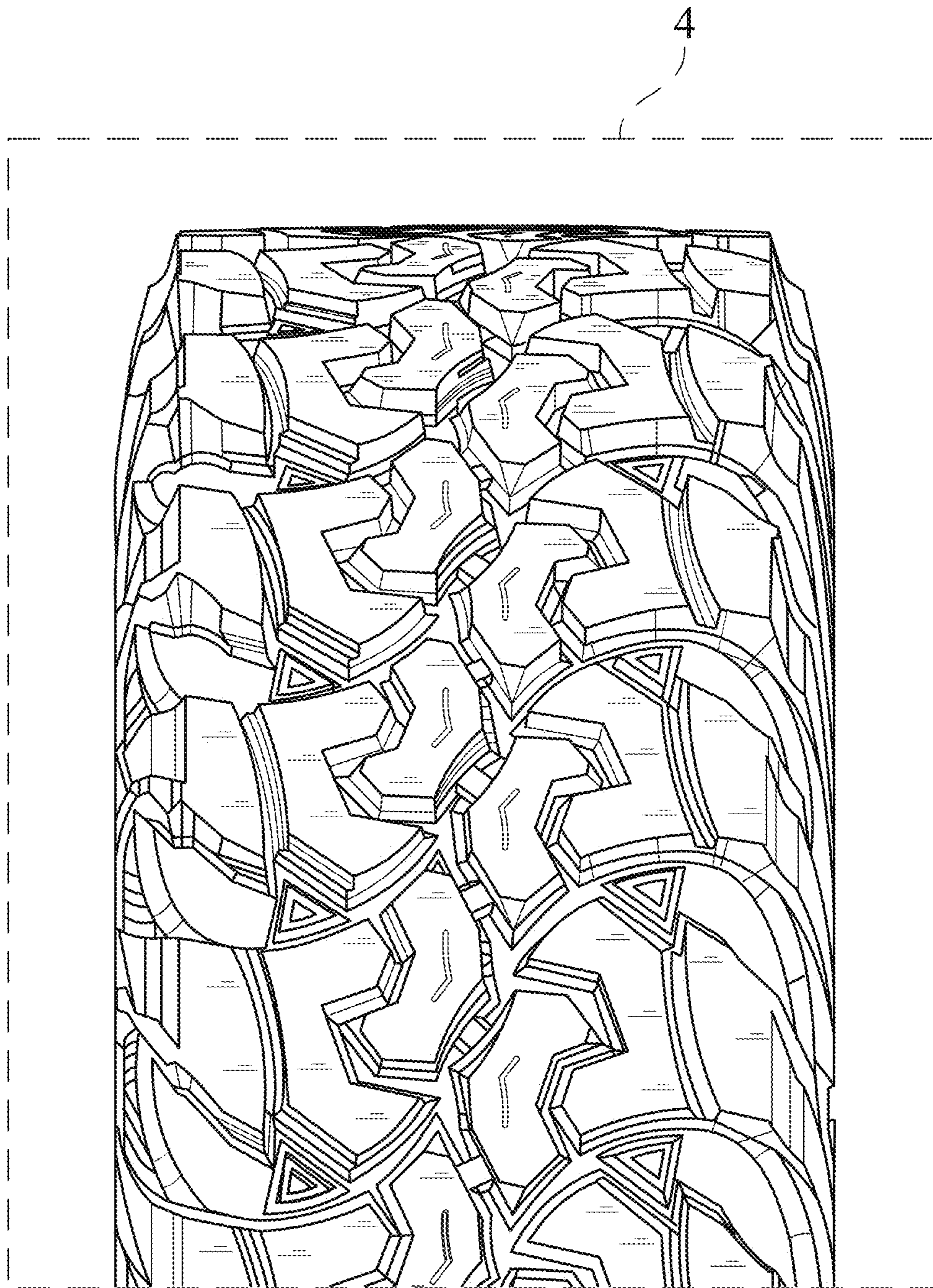


Fig. 4

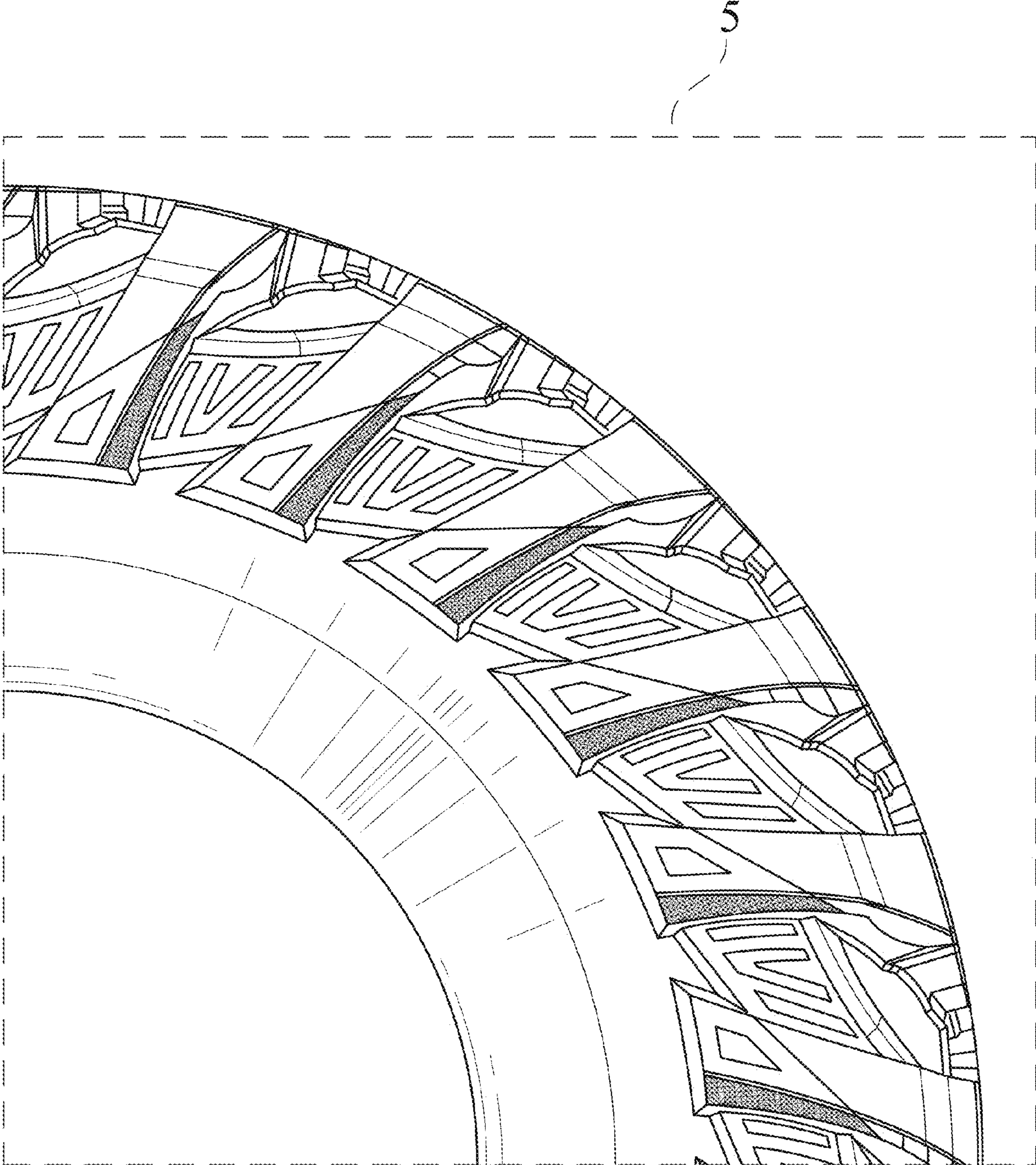


Fig. 5

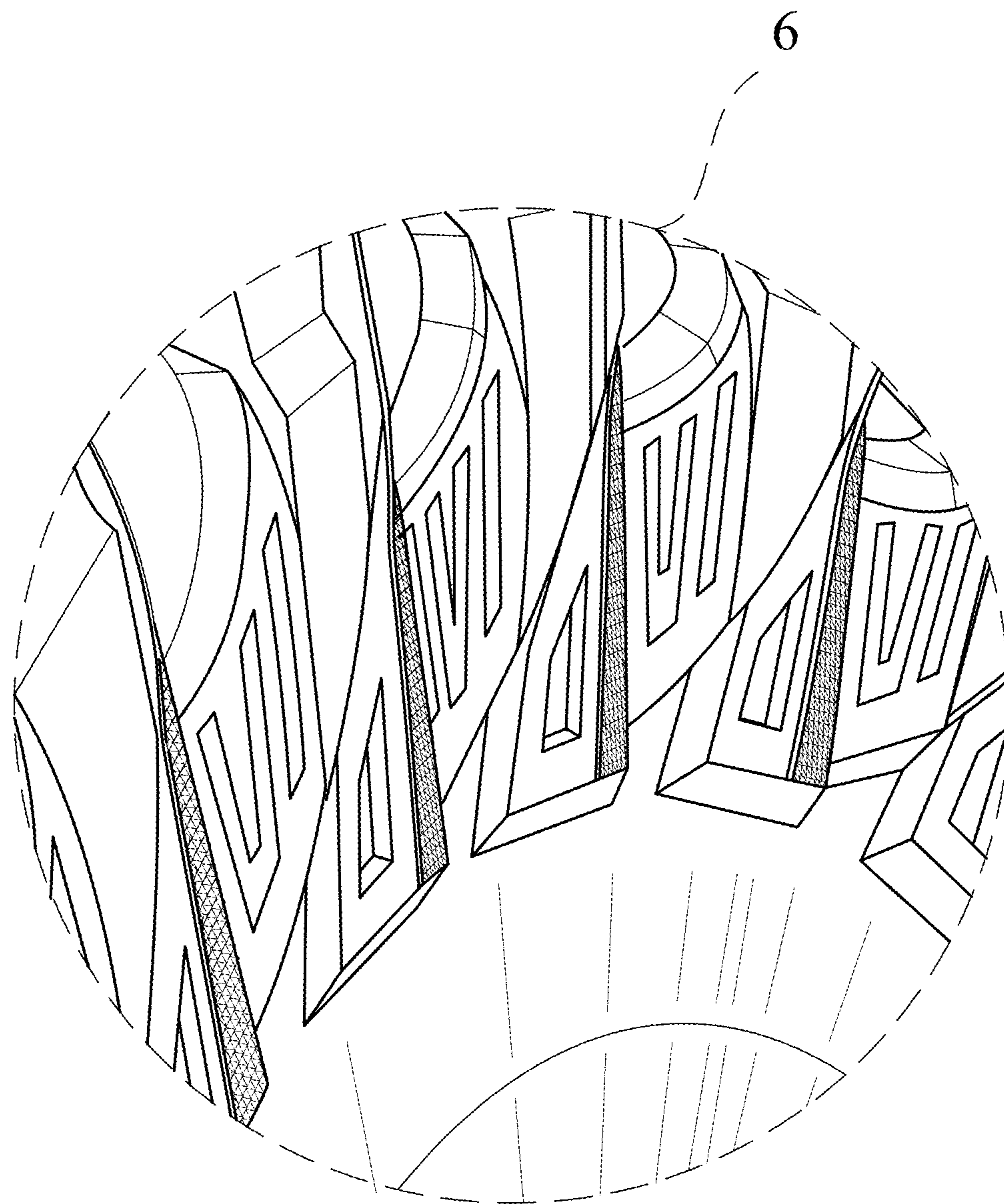


Fig. 6

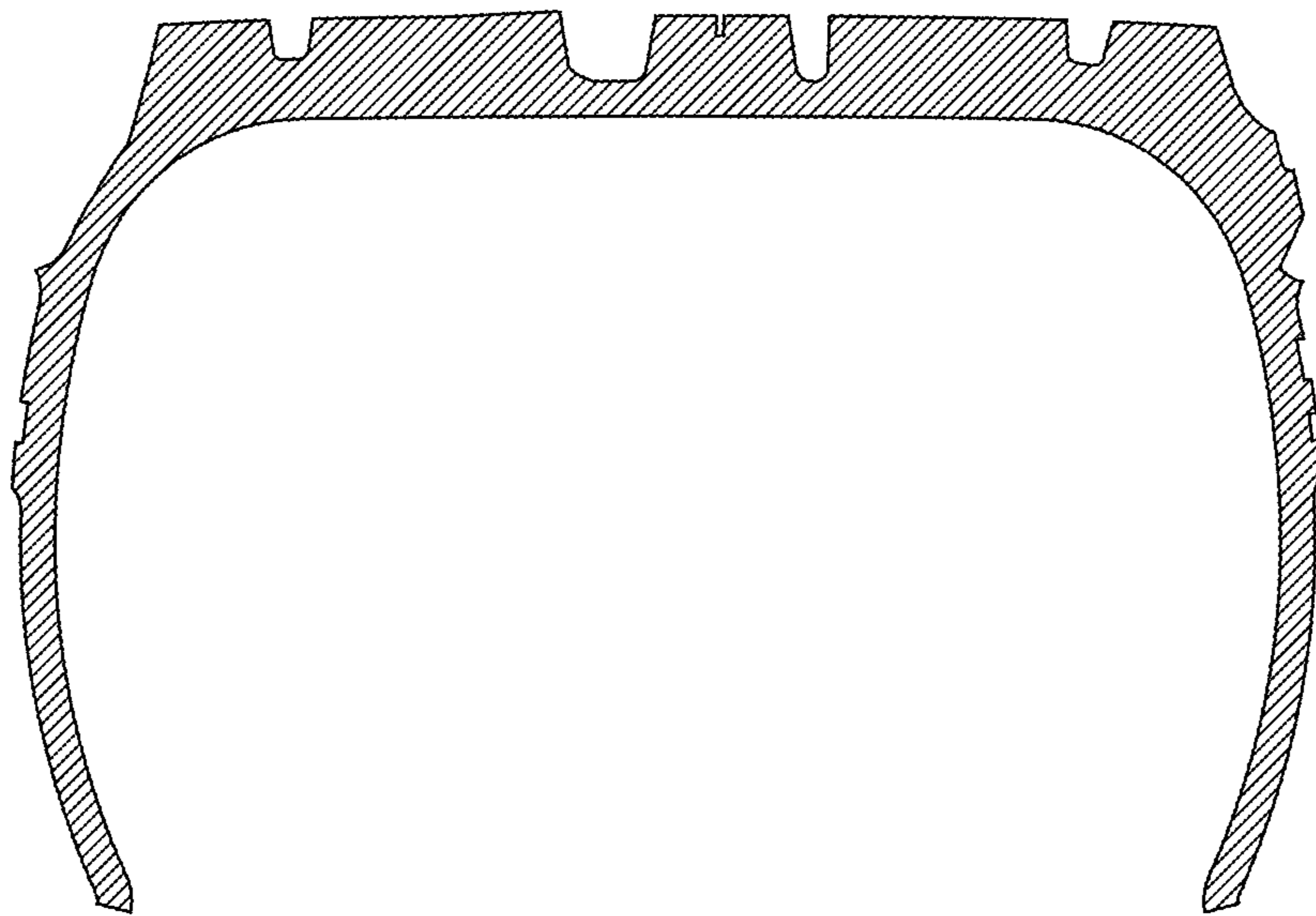


Fig. 7