

US00D876318S

(12) **United States Design Patent** (10) **Patent No.:** **US D876,318 S**  
**Ray et al.** (45) **Date of Patent:** **\*\* Feb. 25, 2020**

(54) **VEHICLE CENTER CONSOLE**  
(71) Applicant: **Jaguar Land Rover Limited**, Whitley,  
Coventry (GB)  
(72) Inventors: **Paul Ray**, Coventry (GB); **Pierre**  
**Webster**, Coventry (GB)  
(73) Assignee: **Jaguar Land Rover Limited**, Whitley,  
Coventry (GB)

(\*\*) Term: **15 Years**  
(21) Appl. No.: **29/674,021**  
(22) Filed: **Dec. 19, 2018**

(30) **Foreign Application Priority Data**  
Jun. 28, 2018 (EM) ..... 005329158  
(51) **LOC (12) Cl.** ..... **12-16**  
(52) **U.S. Cl.**  
USPC ..... **D12/415**  
(58) **Field of Classification Search**  
USPC ..... D12/415, 419  
CPC ..... B60R 13/02; C03C 3/085; B60N 3/10;  
B60N 2/46  
See application file for complete search history.

(56) **References Cited**  
U.S. PATENT DOCUMENTS  
D725,583 S \* 3/2015 Seki ..... D12/419  
D764,387 S \* 8/2016 Tanaka ..... D12/419

D765,017 S \* 8/2016 Manzari ..... D12/419  
D765,018 S \* 8/2016 Sahs ..... D12/419  
D766,811 S \* 9/2016 Shouno ..... D12/419  
D781,210 S \* 3/2017 Itou ..... D12/419  
D781,211 S \* 3/2017 Satou ..... D12/419  
D808,330 S \* 1/2018 Kuwahara ..... D12/419  
D824,838 S \* 8/2018 Takamura ..... D12/419  
D830,951 S \* 10/2018 Karasawa ..... D12/419  
D832,187 S \* 10/2018 Buffery ..... D12/419  
D856,265 S \* 8/2019 Tomasson ..... D12/419

\* cited by examiner  
*Primary Examiner* — Katrina A Betton  
(74) *Attorney, Agent, or Firm* — Wood Herron & Evans  
LLP

(57) **CLAIM**  
The ornamental design for a vehicle center console, as  
shown and described.

**DESCRIPTION**  
FIG. 1 is a front left elevated perspective view of a vehicle  
center console according to the present invention.  
FIG. 2 is a front left perspective view of the vehicle center  
console shown in FIG. 1.  
FIG. 3 is a rear right elevated perspective view thereof.  
FIG. 4 is a rear right perspective view thereof.  
FIG. 5 is a front view thereof.  
FIG. 6 is a rear view thereof.  
FIG. 7 is a left side view thereof.  
FIG. 8 is a right side view thereof.  
FIG. 9 is a top view thereof; and,  
FIG. 10 is a bottom view thereof.

**1 Claim, 10 Drawing Sheets**

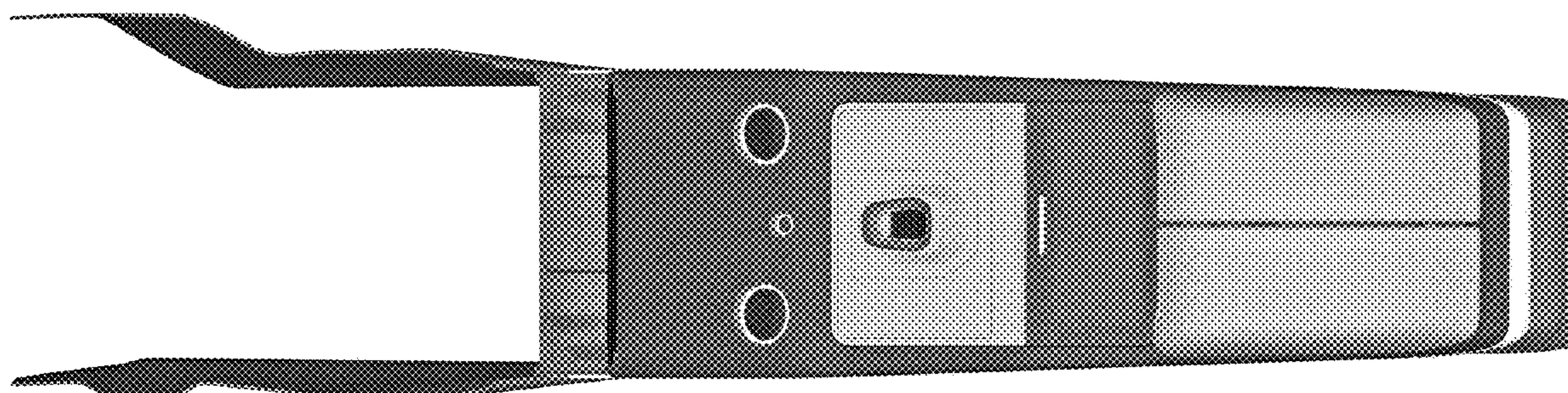






FIG. 1



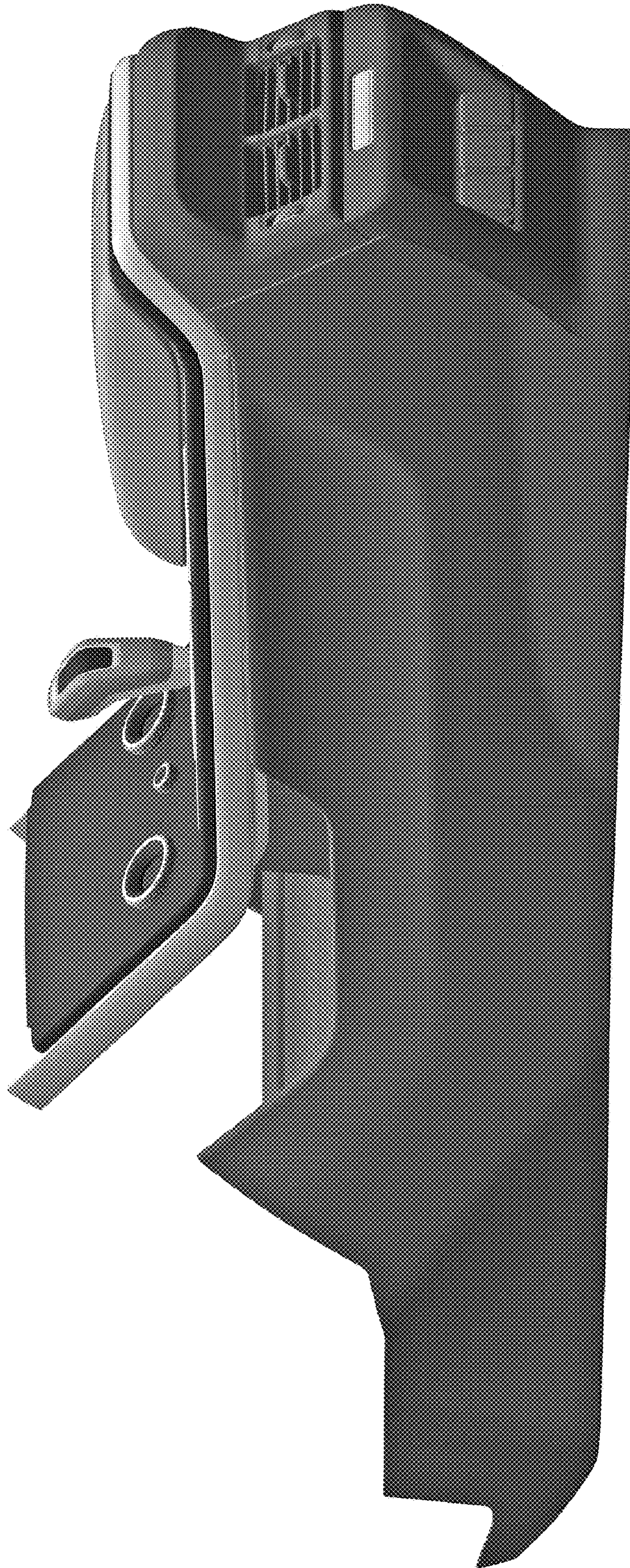


FIG. 2



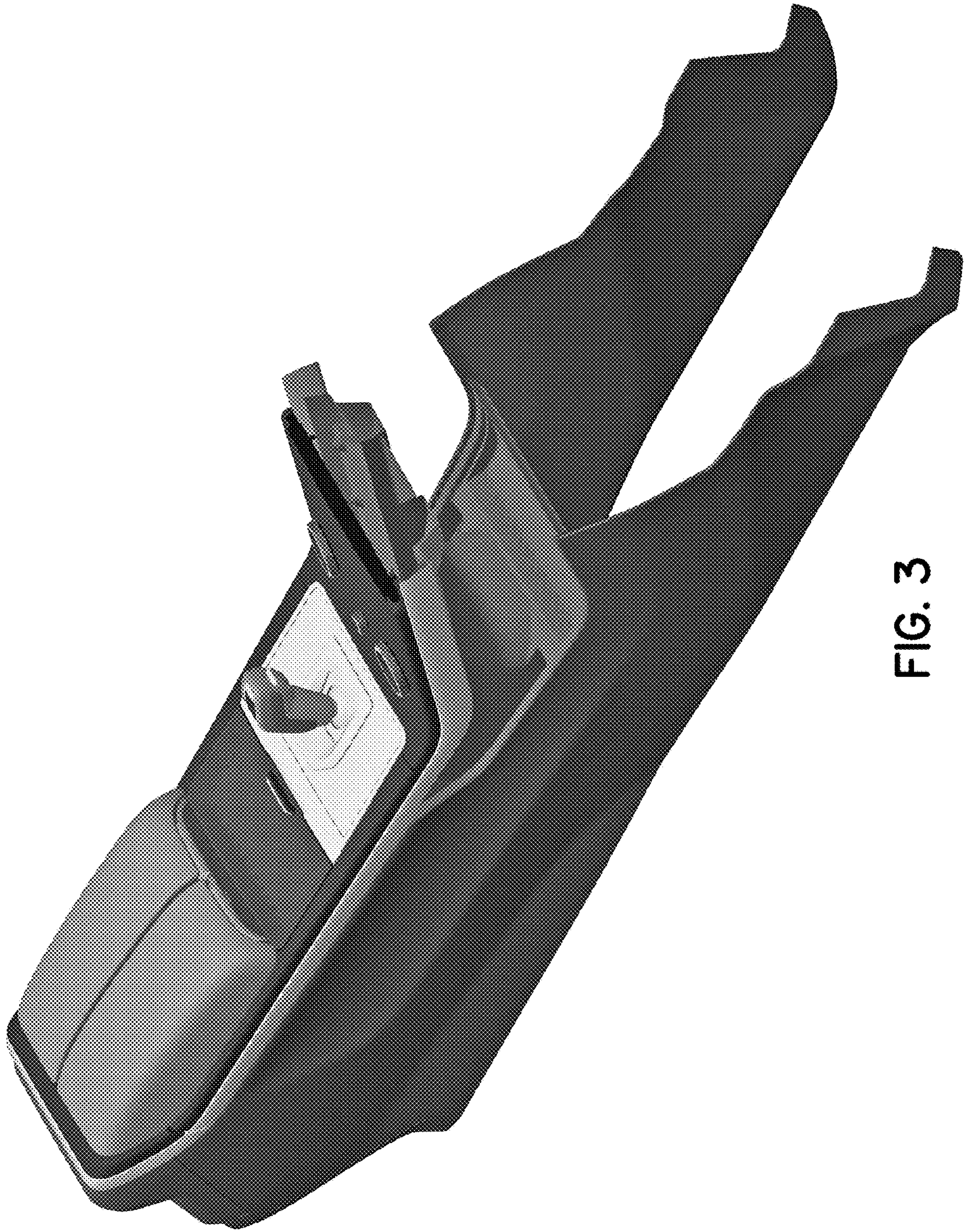


FIG. 3



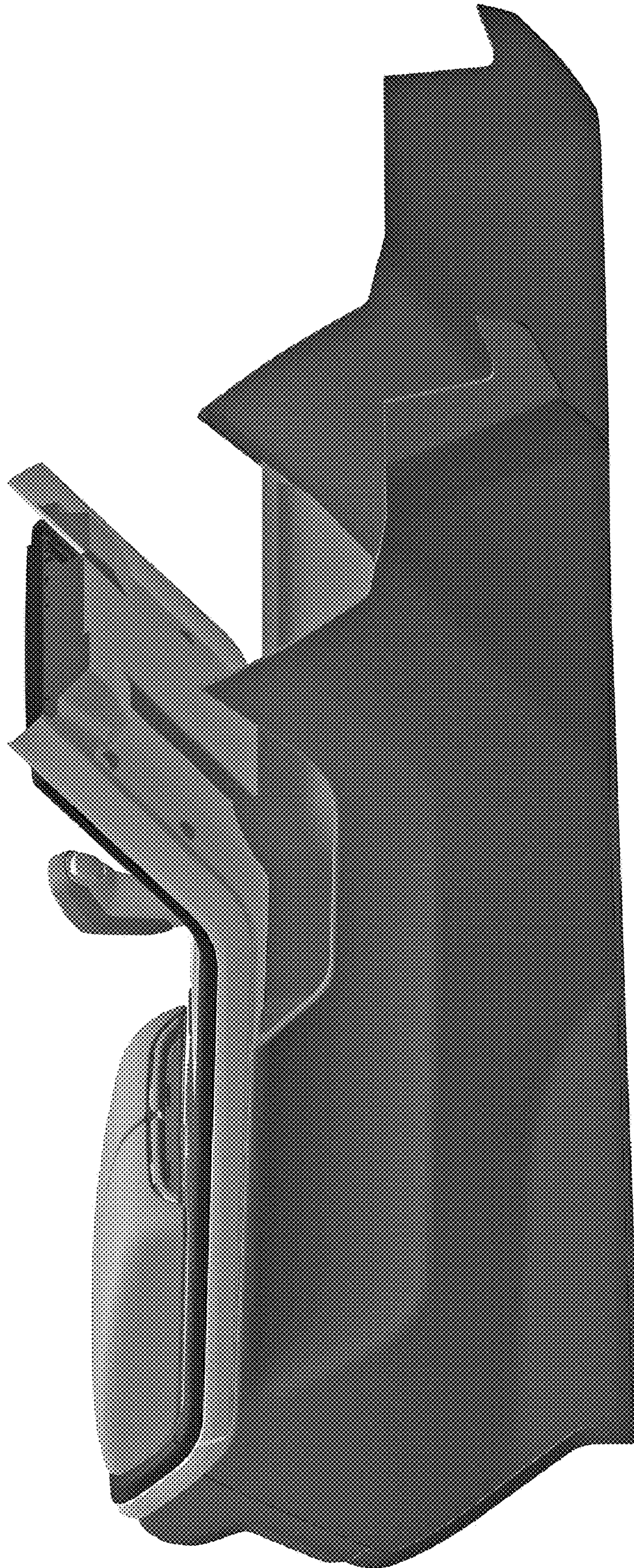


FIG. 4





FIG. 5



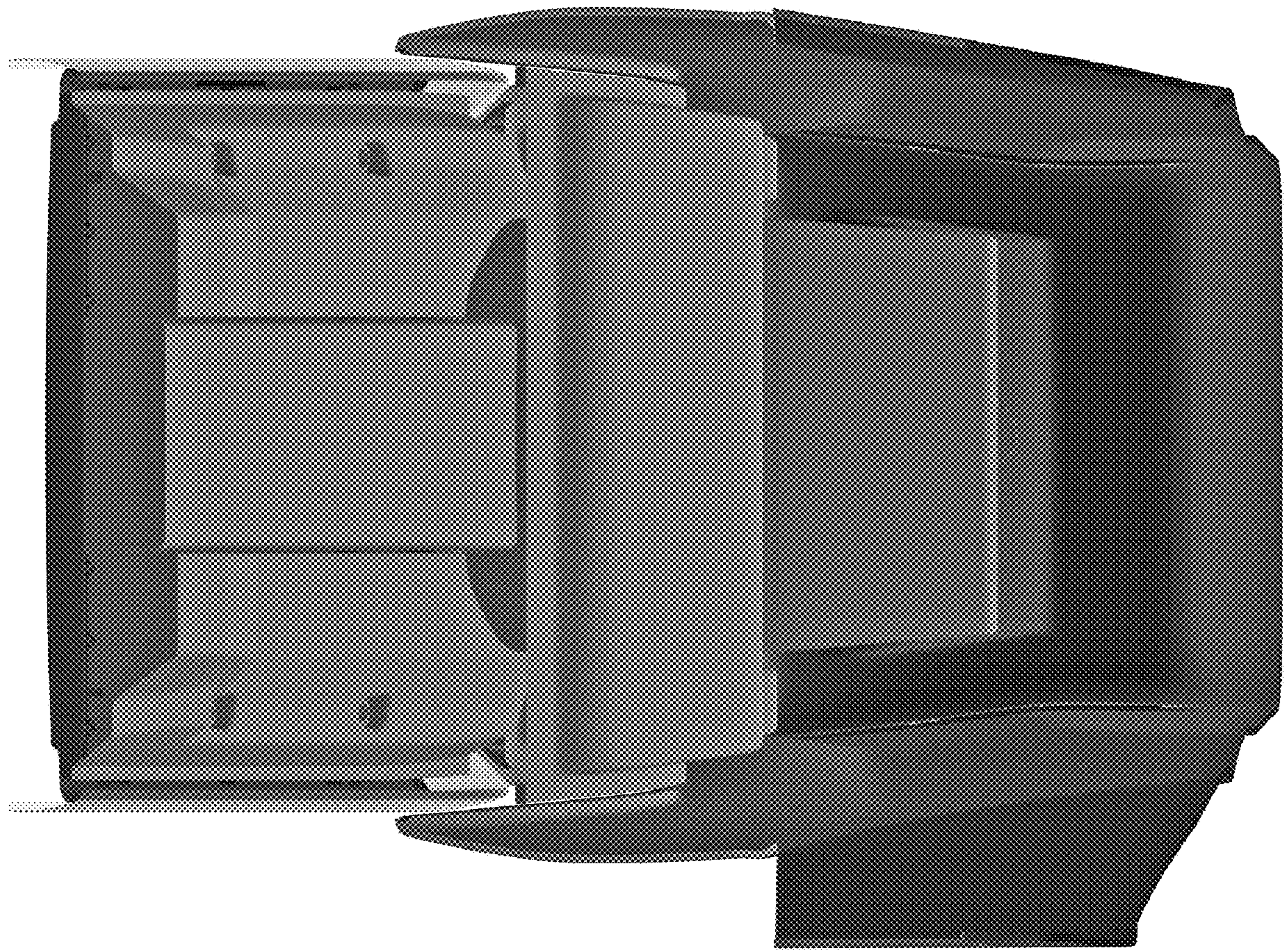


FIG. 6





FIG. 7



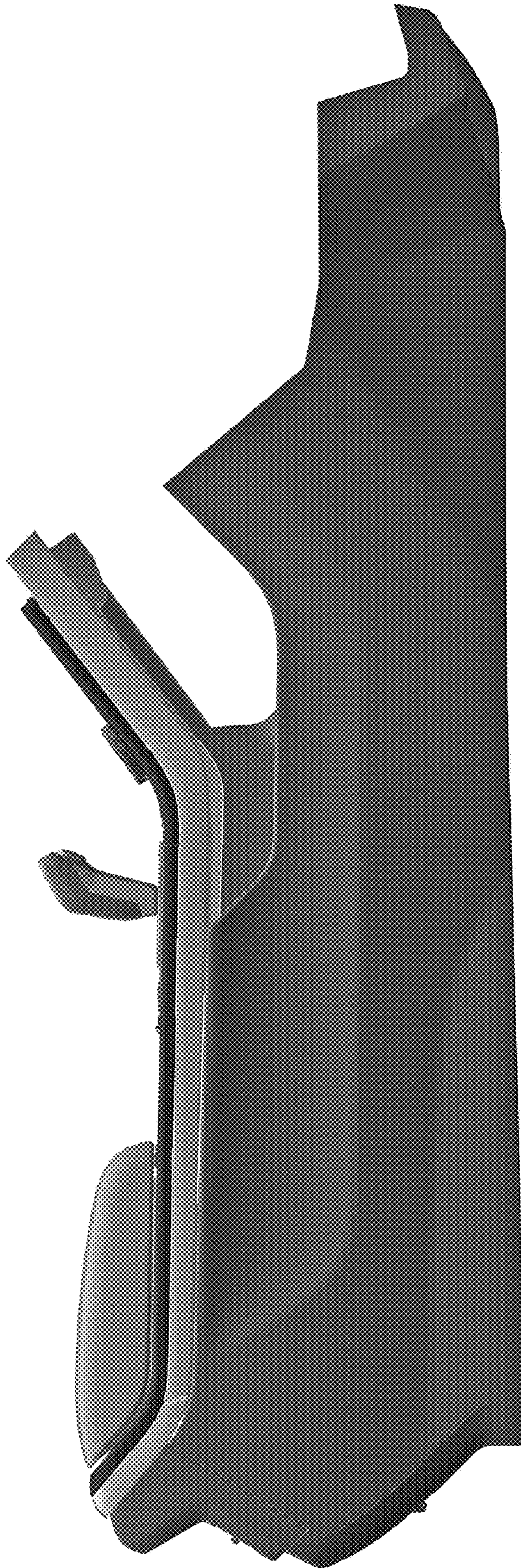


FIG. 8





FIG. 9



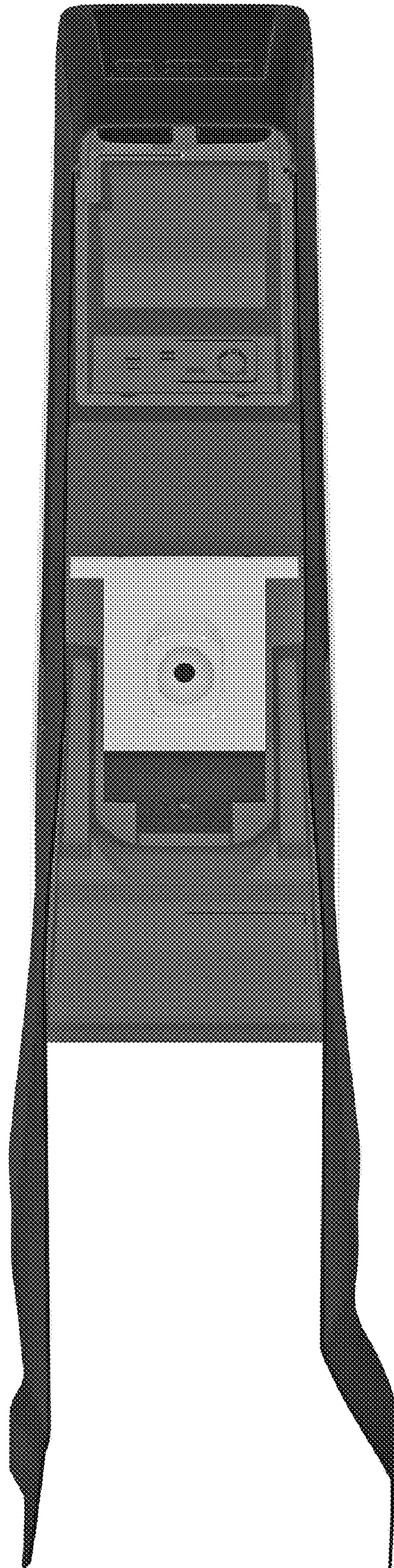


FIG. 10