



US00D876317S

(12) **United States Design Patent**
Richner

(10) **Patent No.:** **US D876,317 S**

(45) **Date of Patent:** **** Feb. 25, 2020**

(54) **GOLF CART CARGO BOX**

(71) Applicant: **Chris T. Richner**, Marine on St. Croix, MN (US)

(72) Inventor: **Chris T. Richner**, Marine on St. Croix, MN (US)

(**) Term: **15 Years**

(21) Appl. No.: **29/656,229**

(22) Filed: **Jul. 11, 2018**

(51) **LOC (12) Cl.** **12-16**

(52) **U.S. Cl.**
USPC **D12/415**

(58) **Field of Classification Search**
USPC D12/415-419, 191, 106, 96, 400, 195, D12/345, 99, 14, 1; 296/37.1, 37.8, 70, 296/24.3, 97.1, 97.2, 97.4, 97.5, 97.6, 296/97.7, 97.8, 180, 26.08; 312/246; 224/311, 539, 281, 275; D8/354; D14/451-452; 248/278.1, 274.1, 284.1; D3/319; 160/370.21, 370.23, 370.22; D15/30
CPC B60R 5/00; B60R 5/04; B60R 7/00; B60R 7/02; B60R 11/00; A47G 29/00; B62D 33/02; B62D 9/00; B62D 9/06; B62D 9/065

See application file for complete search history.

(56) **References Cited**

U.S. PATENT DOCUMENTS

D379,615 S * 6/1997 Hellhake D12/415
D380,189 S * 6/1997 Hellhake D12/415

D430,090 S * 8/2000 Walterscheid D12/195
D548,972 S * 8/2007 Wald D12/415
D670,230 S * 11/2012 Kataoka D12/410
D726,096 S * 4/2015 Schmalz D12/415

* cited by examiner

Primary Examiner — Abraham Bahta

(74) *Attorney, Agent, or Firm* — Vidas, Arrett & Steinkraus, P.A.

(57) **CLAIM**

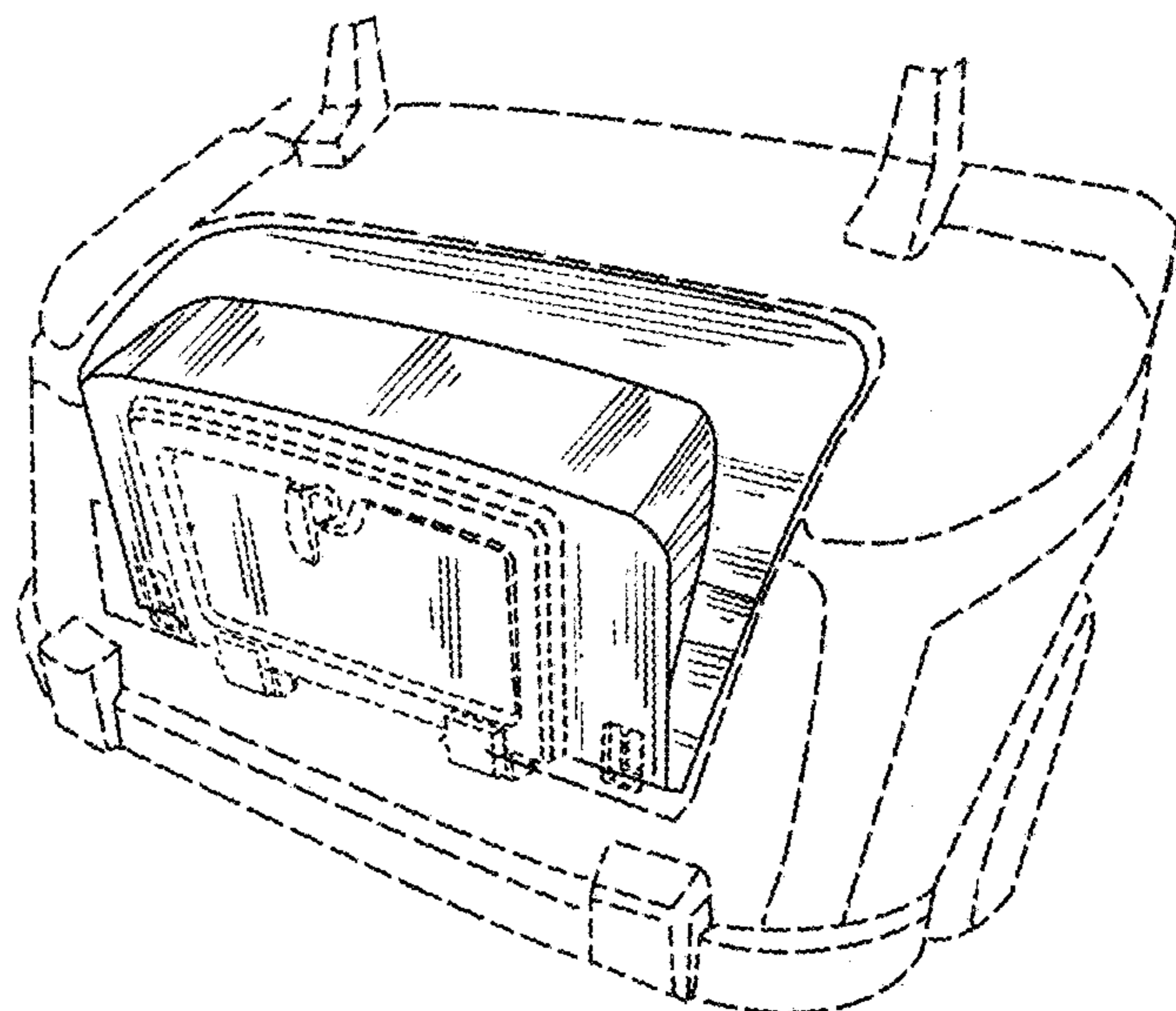
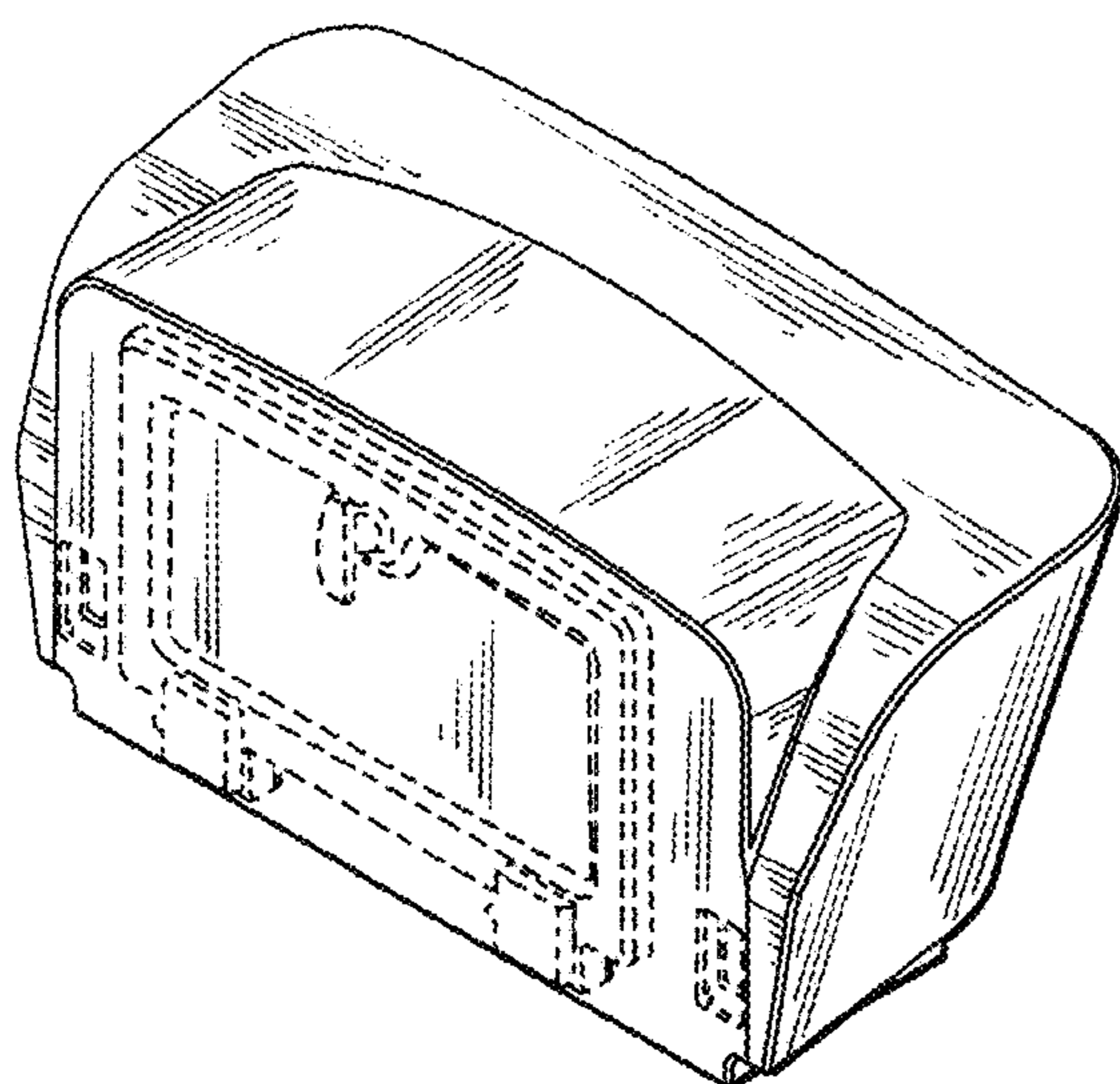
The ornamental design for a golf cart cargo box, as shown and described.

DESCRIPTION

FIG. 1 is a front perspective view of the golf cart cargo box showing my new design;
FIG. 2 is a front elevation view thereof;
FIG. 3 is a rear elevation view thereof;
FIG. 4 is a top view thereof;
FIG. 5 is a bottom view thereof;
FIG. 6 is a left side view thereof;
FIG. 7 is right side view thereof; and,
FIG. 8 is a perspective environmental view of the golf cart cargo box.

The broken line showing of the door, latch and hinge in FIGS. 1-2, 4-7 and the remaining other broken lines is included for the purpose of illustrating environmental structure and forms no part of the claimed design.

1 Claim, 3 Drawing Sheets



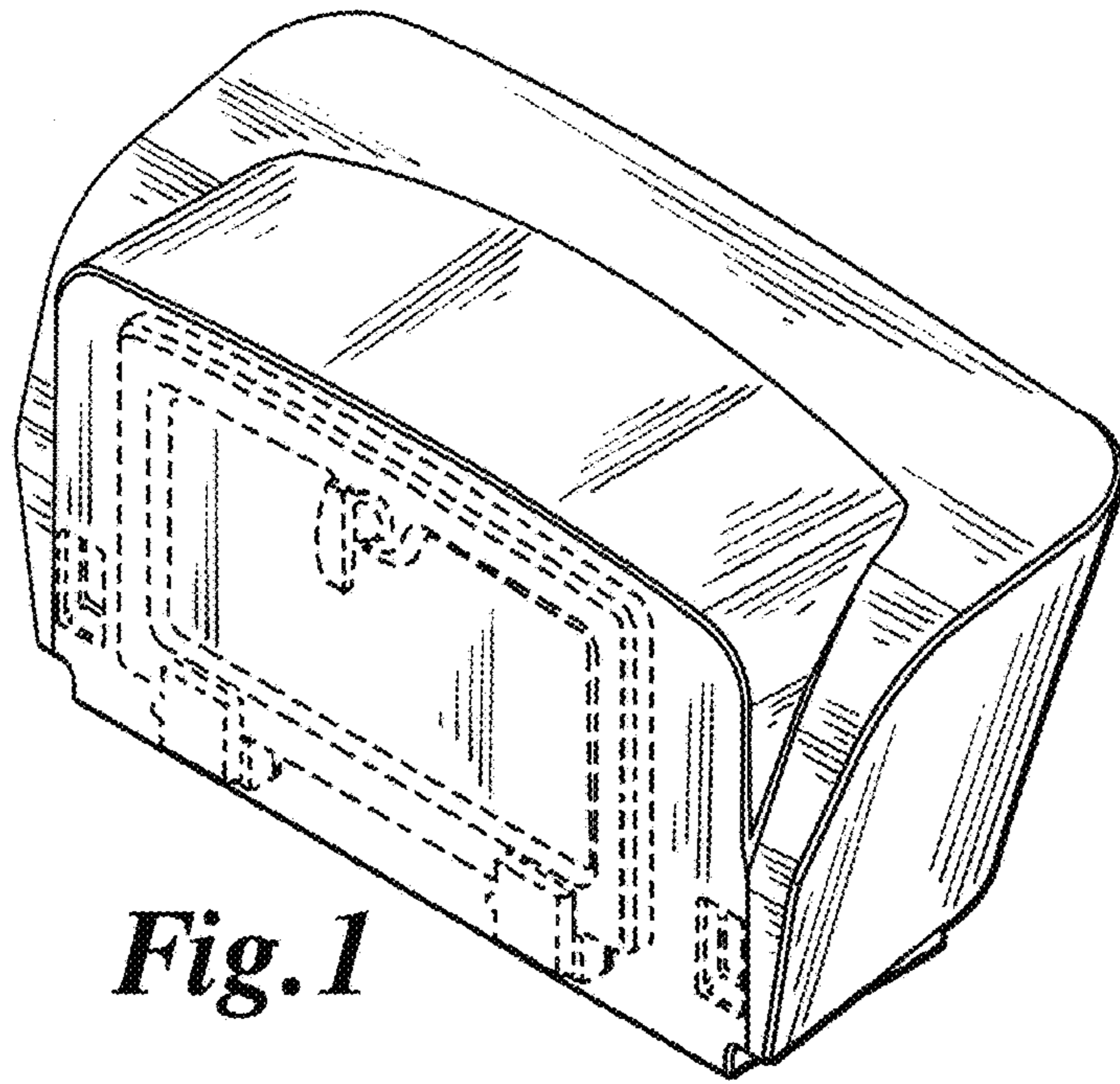


Fig. 1

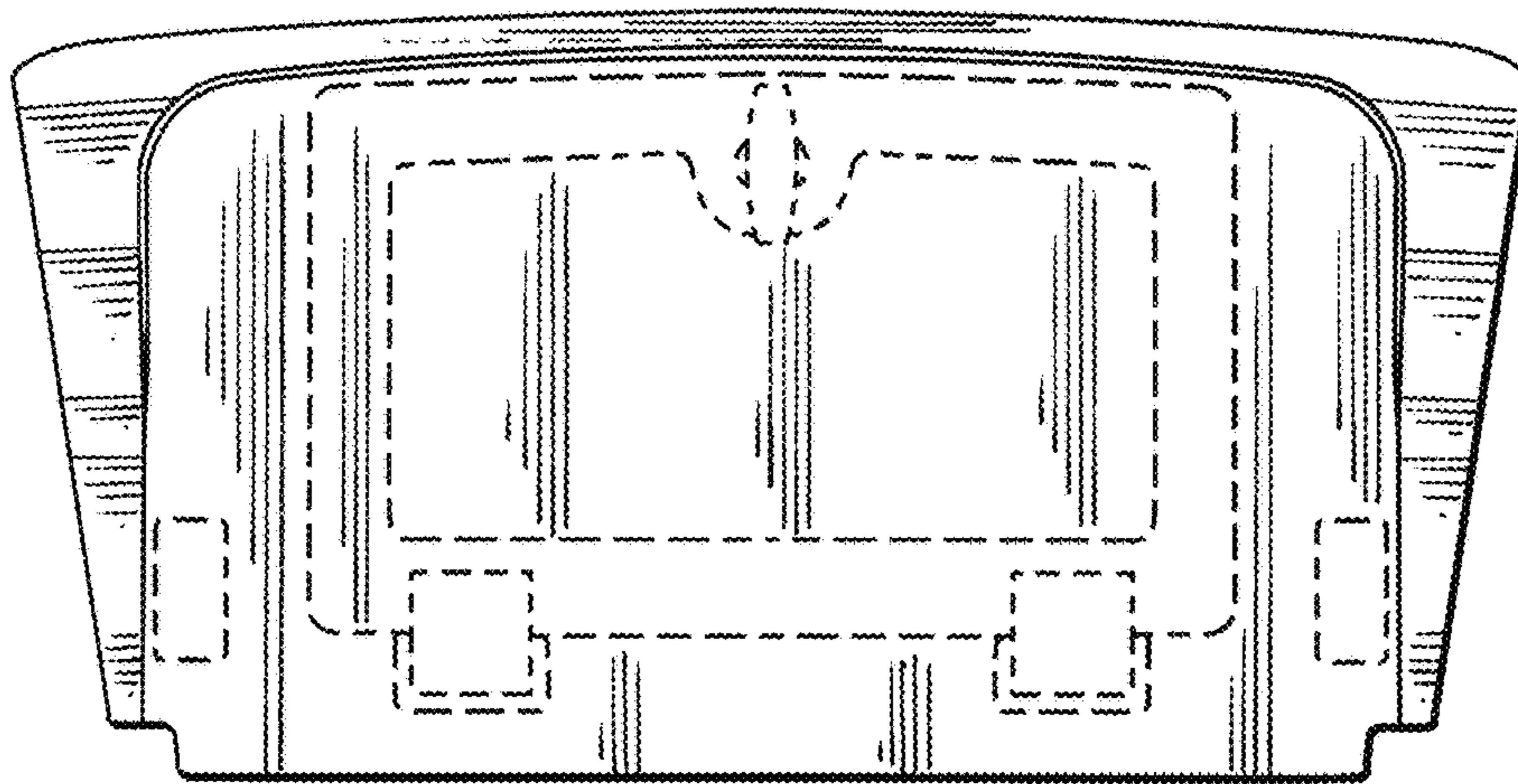


Fig. 2

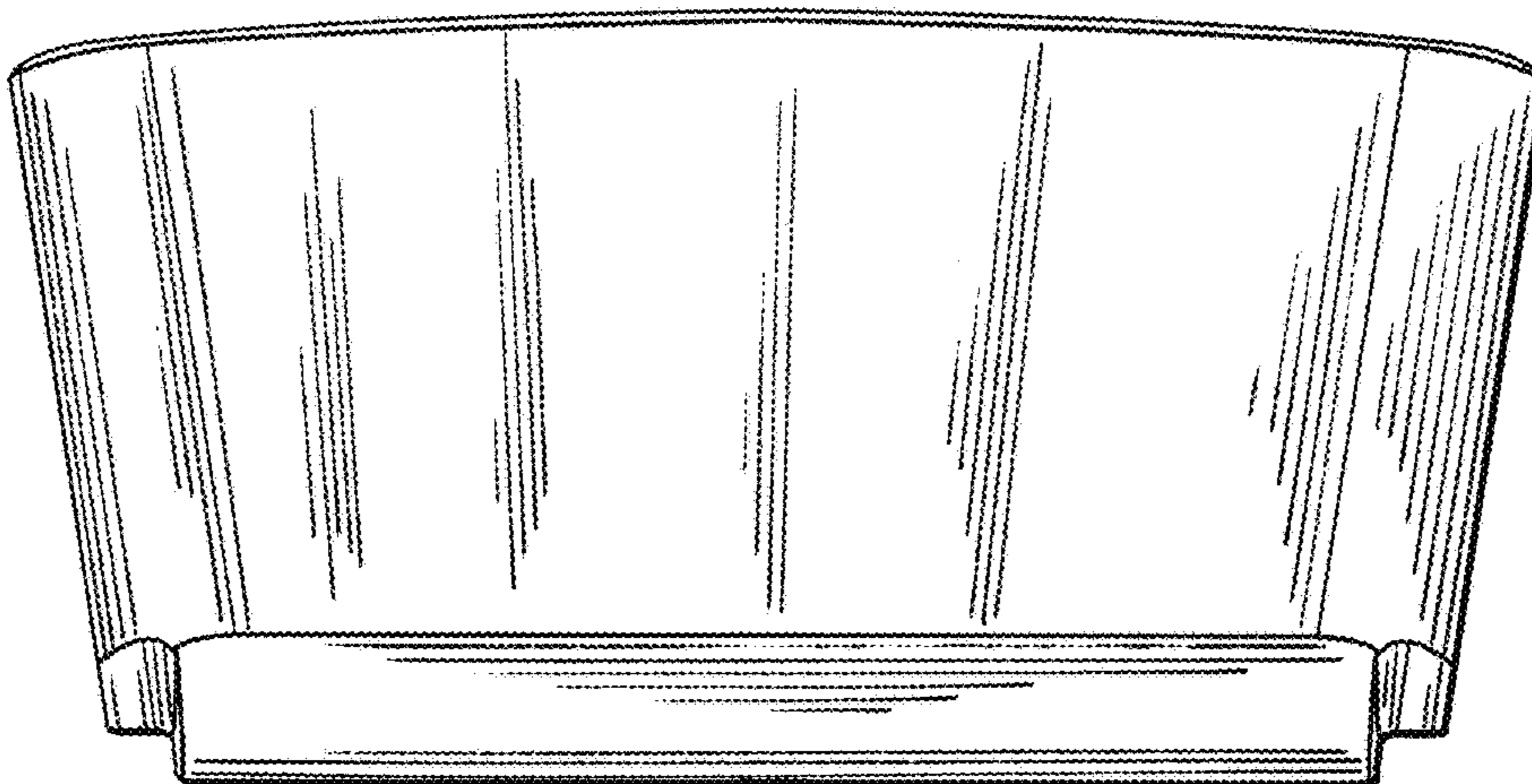


Fig. 3

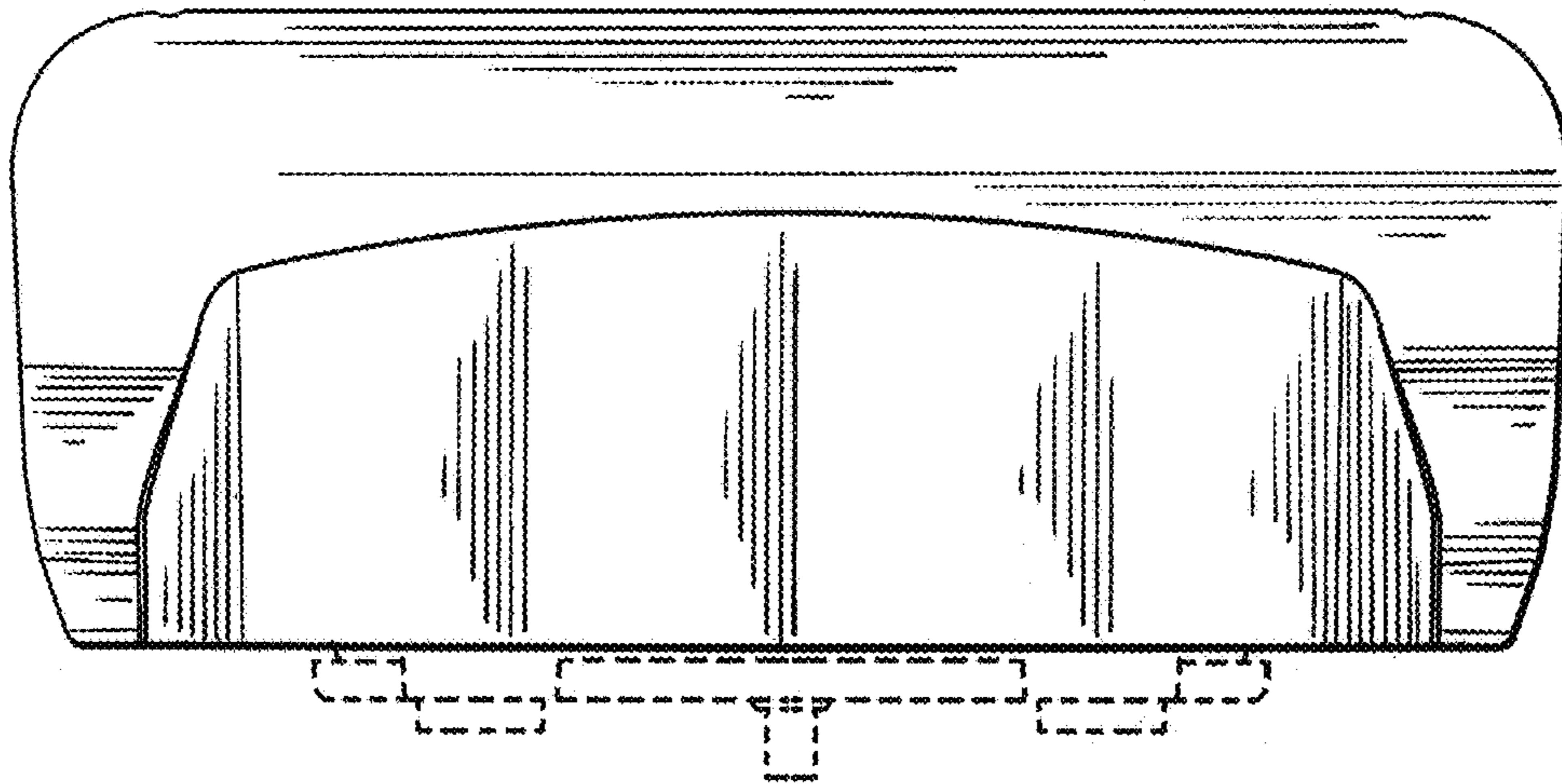


Fig. 4

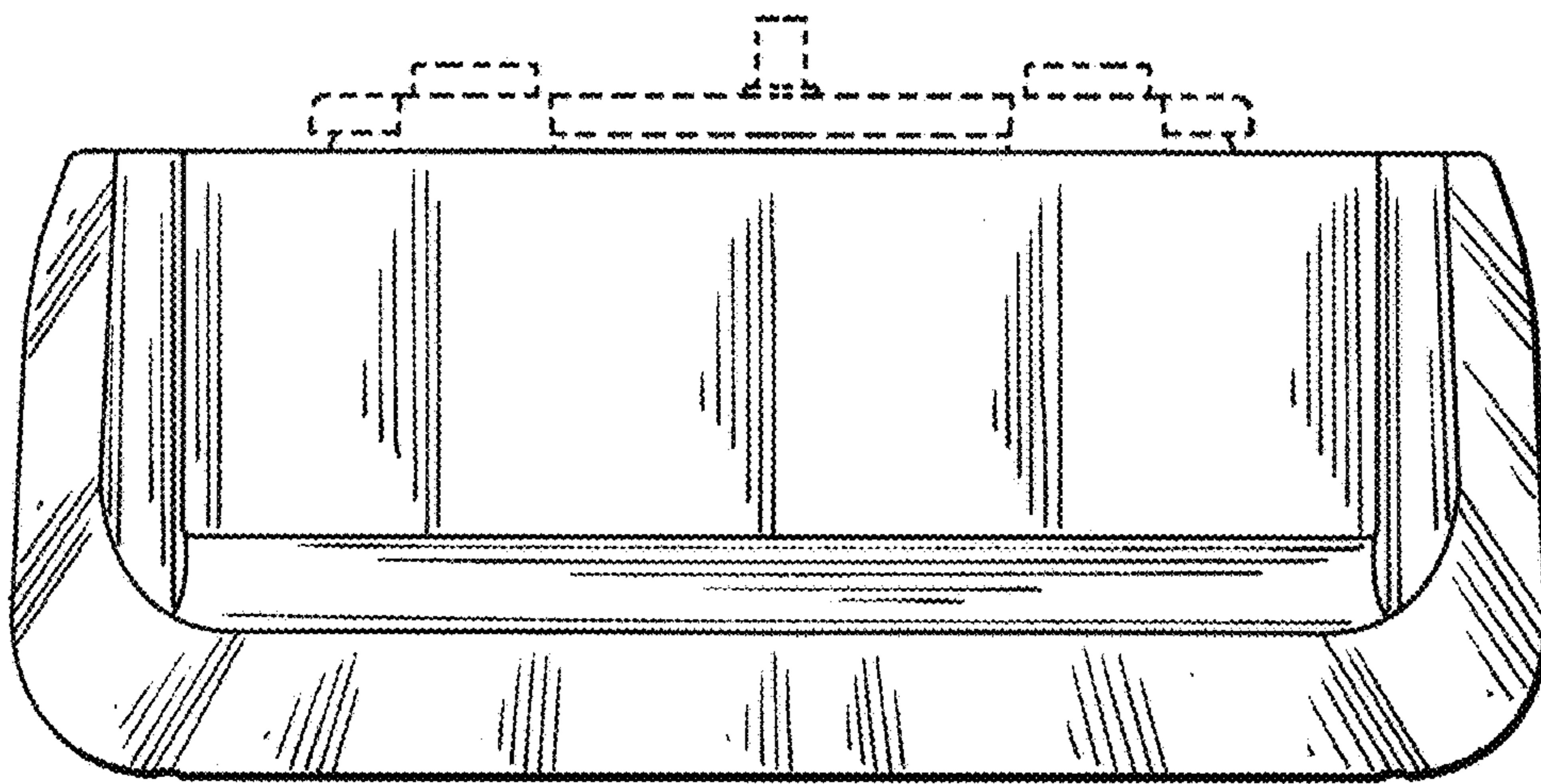


Fig. 5

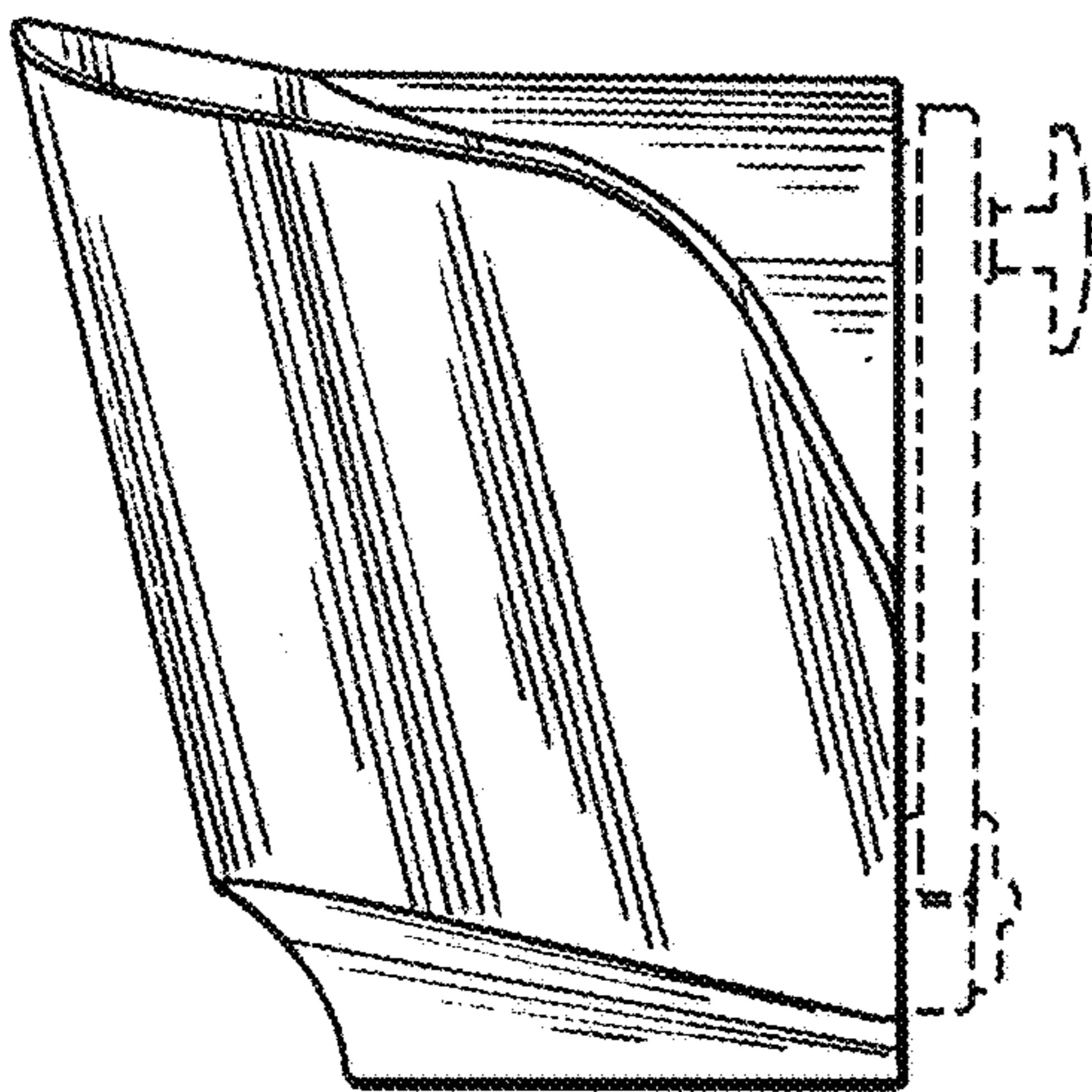


Fig. 6

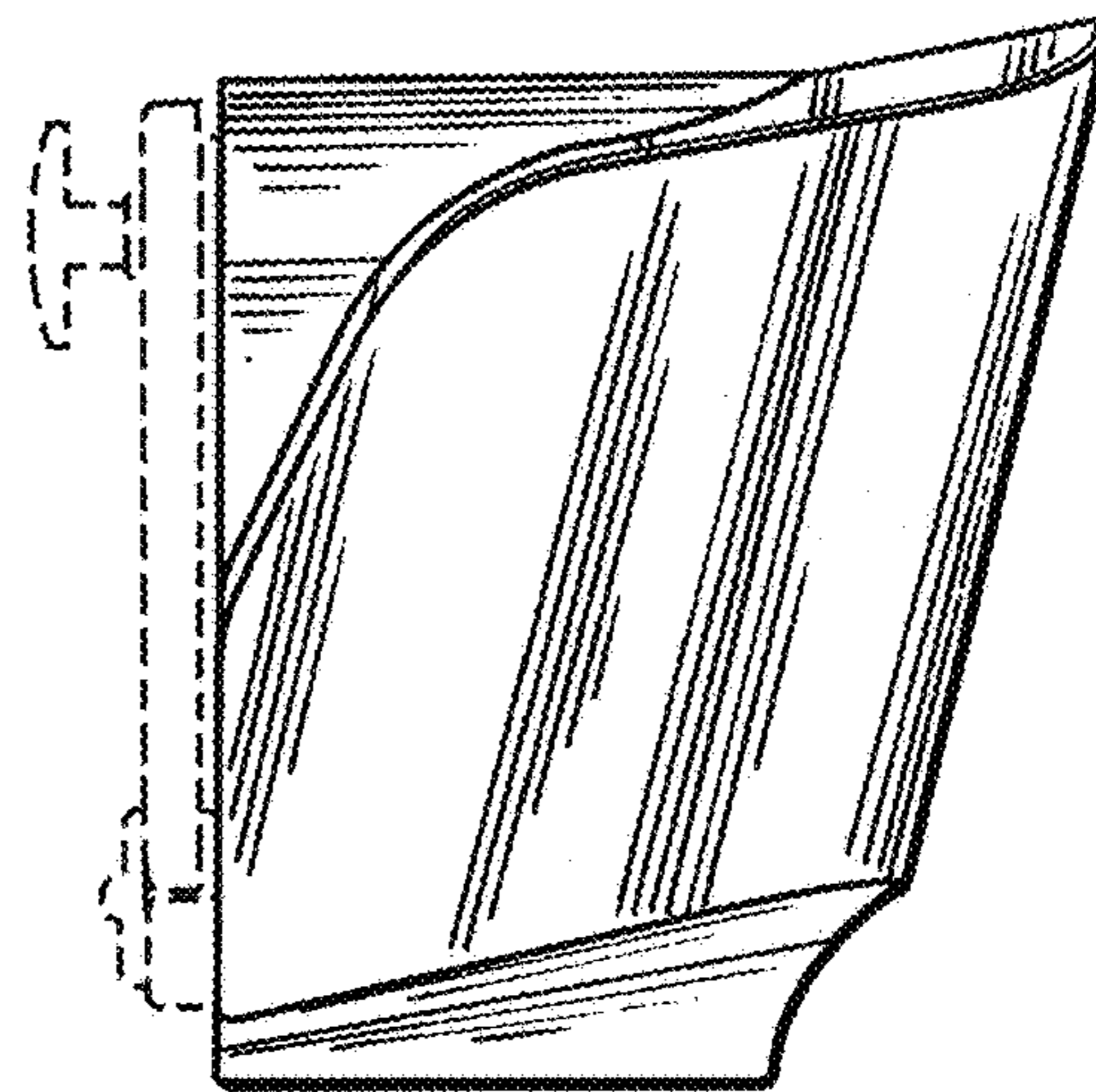


Fig. 7

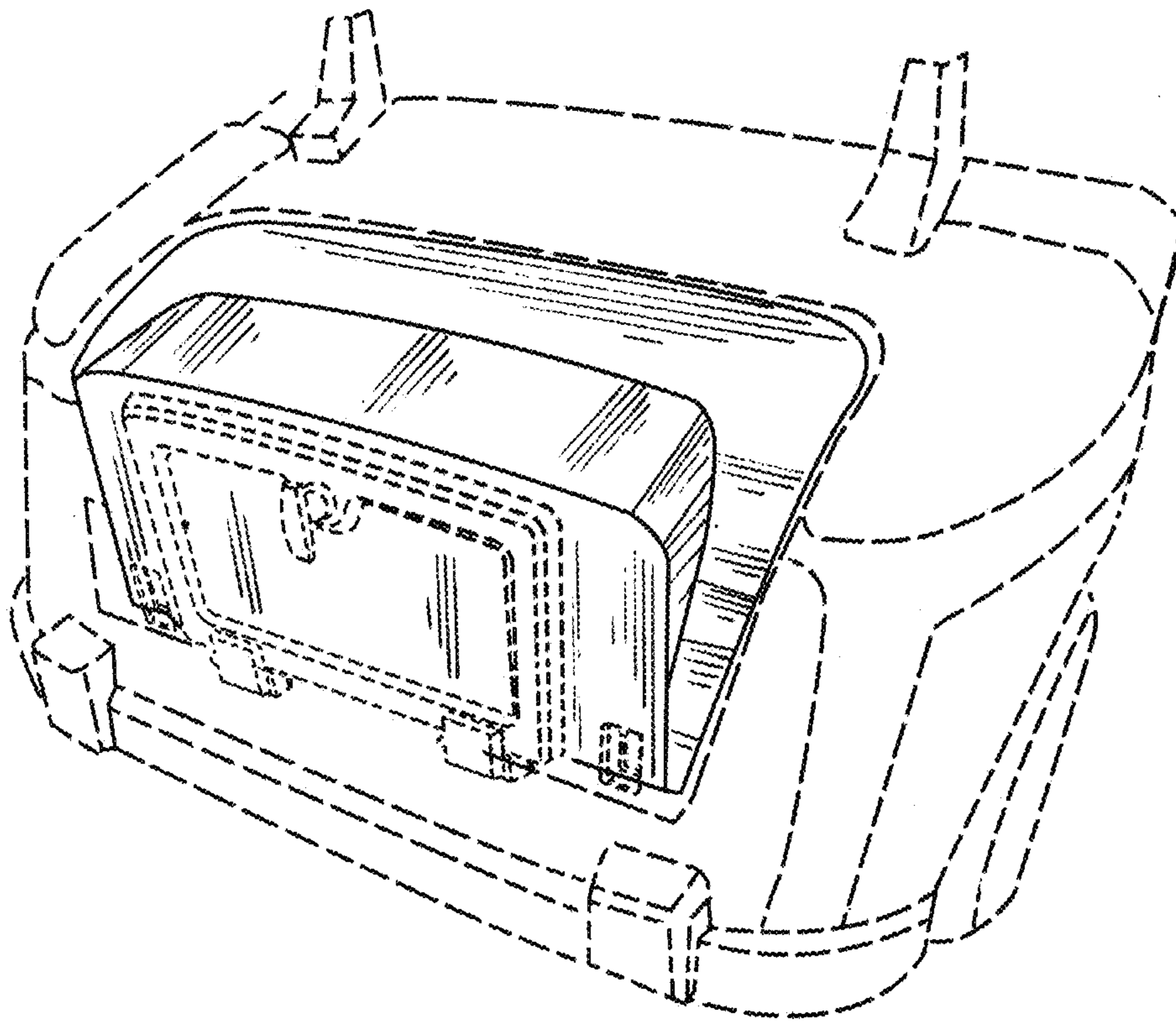


Fig. 8