



US00D876315S

(12) **United States Design Patent**
Gao

(10) **Patent No.:** **US D876,315 S**

(45) **Date of Patent:** **** Feb. 25, 2020**

(54) **PANEL SUPPORT**

(71) Applicant: **Zhongshan Ruisu electronics Co. Ltd.**, Zhongshan (CN)

(72) Inventor: **Qikui Gao**, Bozhou (CN)

(73) Assignee: **Zhongshan Ruisu electronics Co. Ltd.**, Zhongshan (CN)

(**) Term: **15 Years**

(21) Appl. No.: **29/642,328**

(22) Filed: **Mar. 29, 2018**

(51) **LOC (12) Cl.** **12-16**

(52) **U.S. Cl.**
USPC **D12/400**

(58) **Field of Classification Search**
USPC D12/400, 414-421, 424-426, 190-192, D12/195, 106, 345, 96, 99; D14/496, D14/498-506, 154, 157, 168-171, D14/188-198, 257-258; 257/27.1, 27.3, 257/558; 455/347, 350; 248/27.1, 27.3, 248/558
CPC .. B60R 7/04; B60R 7/08; B60R 11/02; B60K 37/04; B60K 37/06; H04B 1/08; H04B 1/082

See application file for complete search history.

(56) **References Cited**

U.S. PATENT DOCUMENTS

D401,591 S	*	11/1998	Jones, Jr.	D14/258
D545,661 S	*	7/2007	Quilling, II	D14/258
D581,408 S	*	11/2008	Fiore, IV	D14/258
D602,013 S	*	10/2009	Quilling, II	D14/258
D602,930 S	*	10/2009	Quilling, II	D14/258
D639,287 S	*	6/2011	Quilling, II	D14/258
D639,291 S	*	6/2011	Quilling, II	D14/258
D639,293 S	*	6/2011	Fiore, IV	D14/258
D639,792 S	*	6/2011	Quilling, II	D14/258
D639,793 S	*	6/2011	Quilling, II	D14/258

D640,684 S	*	6/2011	Fiore, IV	D14/258
D716,790 S	*	11/2014	Fiore, IV	D14/258
D723,537 S	*	3/2015	Quilling, II	D14/258
D725,094 S	*	3/2015	Fiore, IV	D14/258
D725,096 S	*	3/2015	Quilling, II	D14/258

(Continued)

FOREIGN PATENT DOCUMENTS

CN 202686594 * 1/2013 B62J 17/00

OTHER PUBLICATIONS

Hyundai Getz TB Radiator Support Panel Front, SterlingParts.com.au, [online], [site visited Jul. 7, 2019]. <URL: <https://www.sterlingparts.com.au/products/hyundai-getz-tb-radiator-support-panel-front>> (Year: 2019).*

(Continued)

Primary Examiner — T Chase Nelson
Assistant Examiner — Jonathan J. Han
(74) *Attorney, Agent, or Firm* — Gokalp Bayramoglu

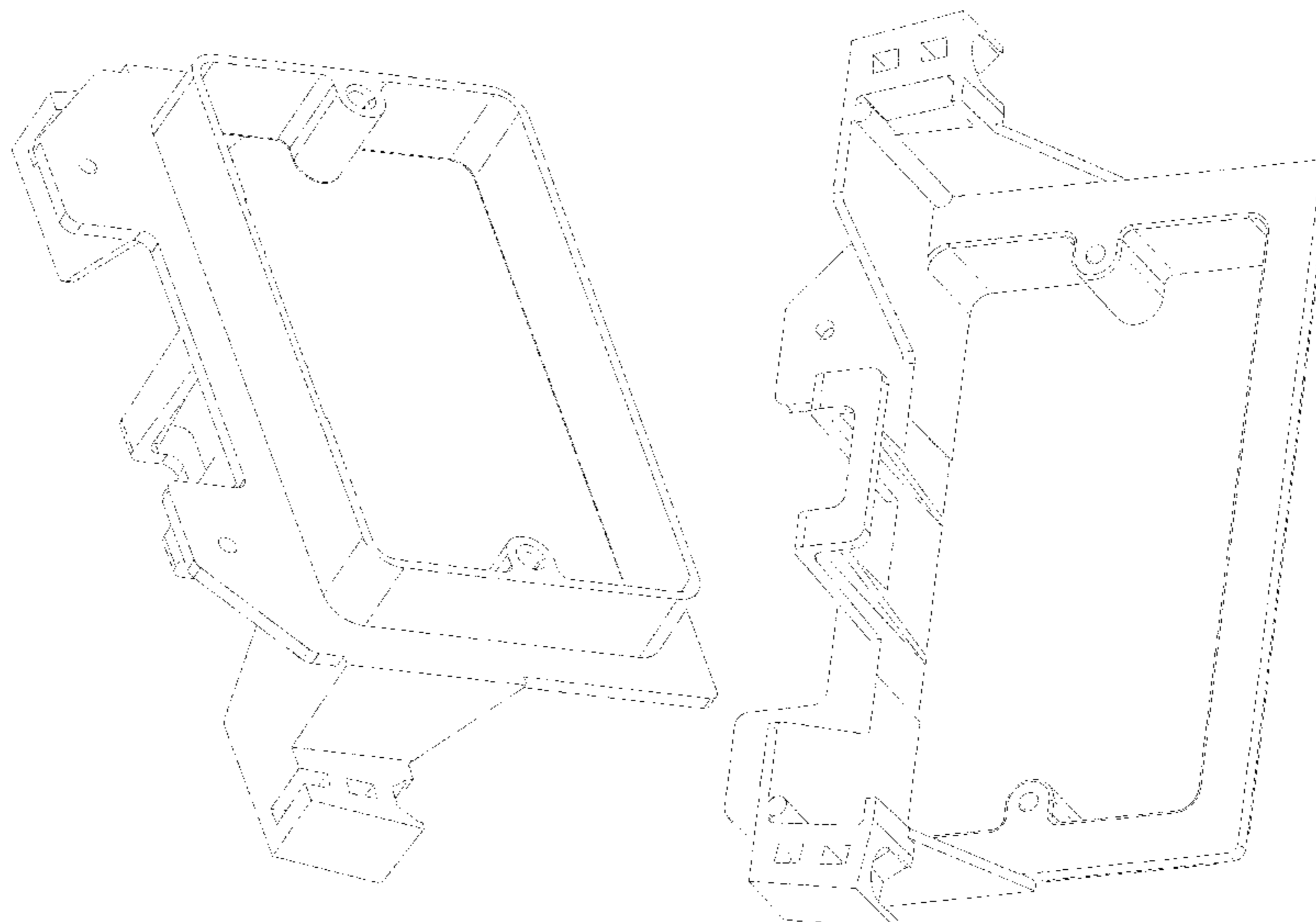
(57) **CLAIM**

The ornamental design for a panel support, as shown and described.

DESCRIPTION

FIG. 1 is a front view of a panel support showing my new design;
FIG. 2 is a rear view thereof;
FIG. 3 is a left side view thereof;
FIG. 4 is a right side view thereof;
FIG. 5 is a top view thereof;
FIG. 6 is a bottom view thereof;
FIG. 7 is a perspective view thereof; and,
FIG. 8 is another perspective view thereof.
The broken lines depict portions of the panel support in which the design is embodied that form no part of the claimed design.

1 Claim, 8 Drawing Sheets



(56)

References Cited

U.S. PATENT DOCUMENTS

D726,176	S	*	4/2015	Quilling, II	D14/258
D727,888	S	*	4/2015	Fiore, IV	D14/258
D728,555	S	*	5/2015	Fiore, IV	D14/258
D755,778	S	*	5/2016	Quilling, II	D14/258
D755,779	S	*	5/2016	Fiore, IV	D14/258
D757,707	S	*	5/2016	Quilling, II	D14/258
D757,708	S	*	5/2016	Fiore, IV	D14/258
D770,439	S	*	11/2016	Fiore, IV	D14/258
D788,766	S	*	6/2017	Quilling	D14/258
D790,529	S	*	6/2017	Quilling, II	D14/258
D791,118	S	*	7/2017	Quilling	D14/258
D791,119	S	*	7/2017	Quilling	D14/258
D802,579	S	*	11/2017	Wellard	D14/258
D806,065	S	*	12/2017	Wellard	D14/258

OTHER PUBLICATIONS

Radiator Support Panel, ExteremeTerrain.com, [online], [site visited Jul. 7, 2019]. <URL: <https://www.extremeterrain.com/crown-automotive-radiator-support-panel-0717-jk.html>> (Year: 2019).*

Scosche SU2027B 2008-2011 Subaru Impreza/WRX/STI Double DIN or DIN w/Pocket Install Dash Kit, Amazon.com, Date First Available: May 26, 2006, [online], [site visited Jul. 7, 2019]. <URL: <https://www.amazon.com/SCOSCHE-SU2027B-2008-11-Impreza-Install/dp/B0017TRUP6?Subscription1>> (Year: 2006).*

Metra 95-5812 Double Din Installation Kit for Select 2004-up Ford Vehicles-Black, Amazon.com, Date First Available: Dec. 16, 2006, [online], [site visited Jul. 7, 2019]. <URL: https://www.amazon.com/dp/B000K4V4X8/ref=psdc_15729901_t4_B0017TRUP6> (Year: 2006).*

* cited by examiner

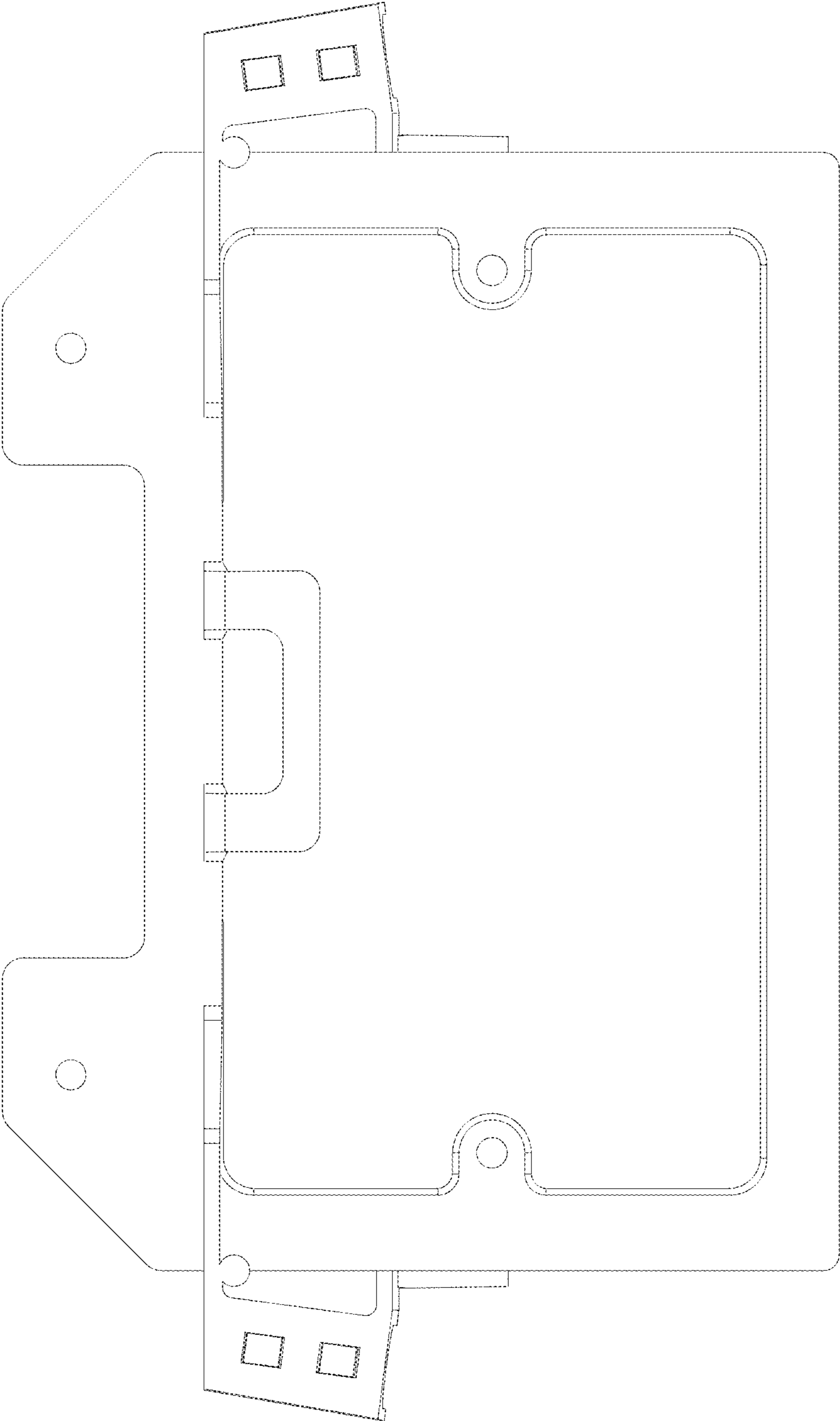


FIG. 1

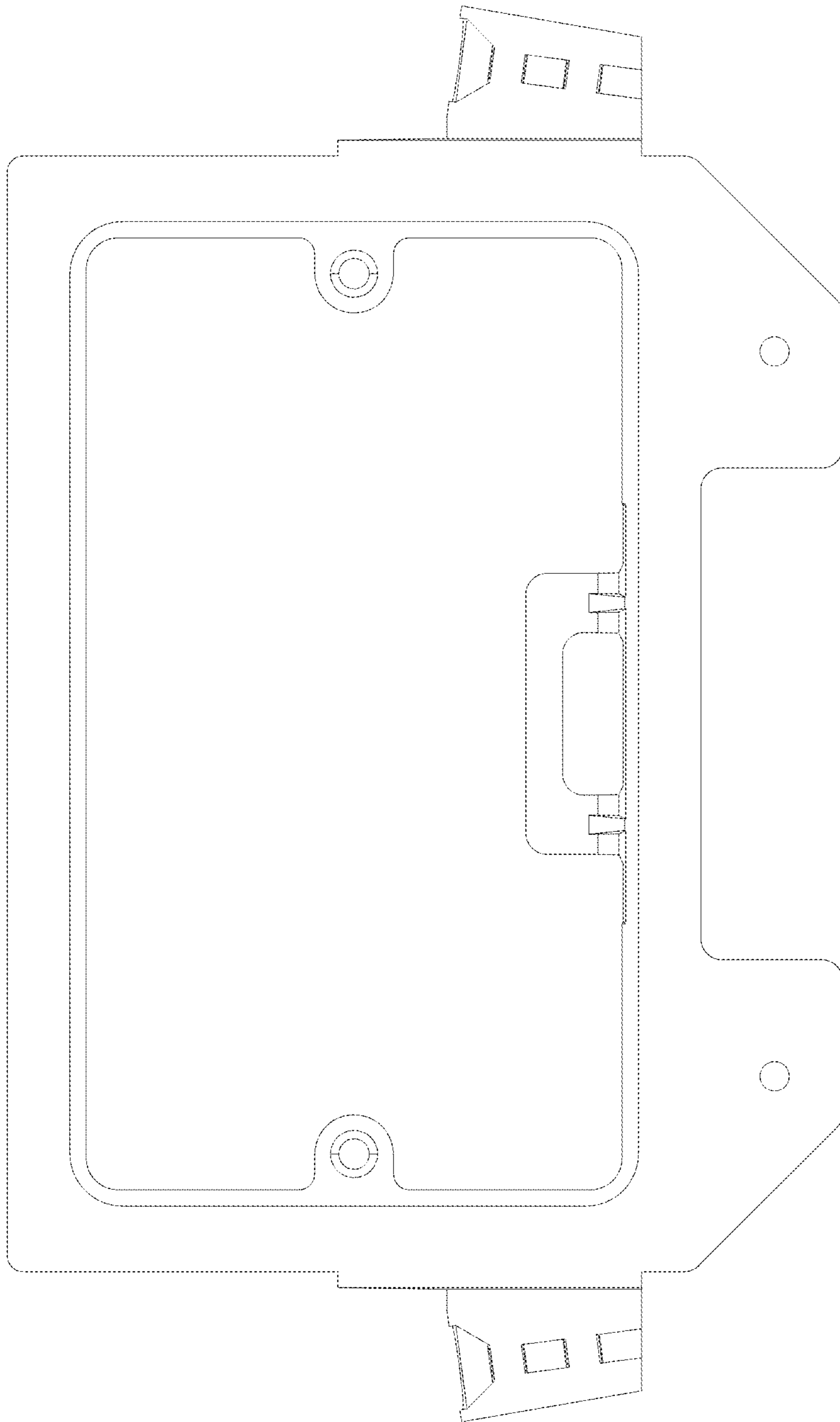


FIG. 2

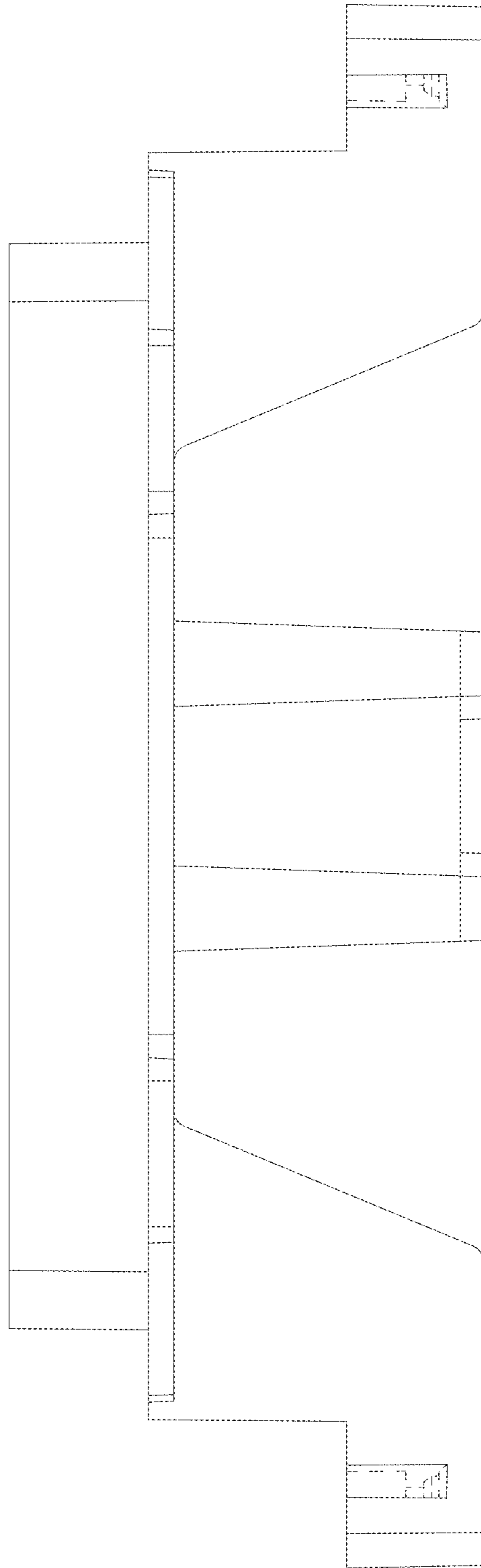


FIG. 3

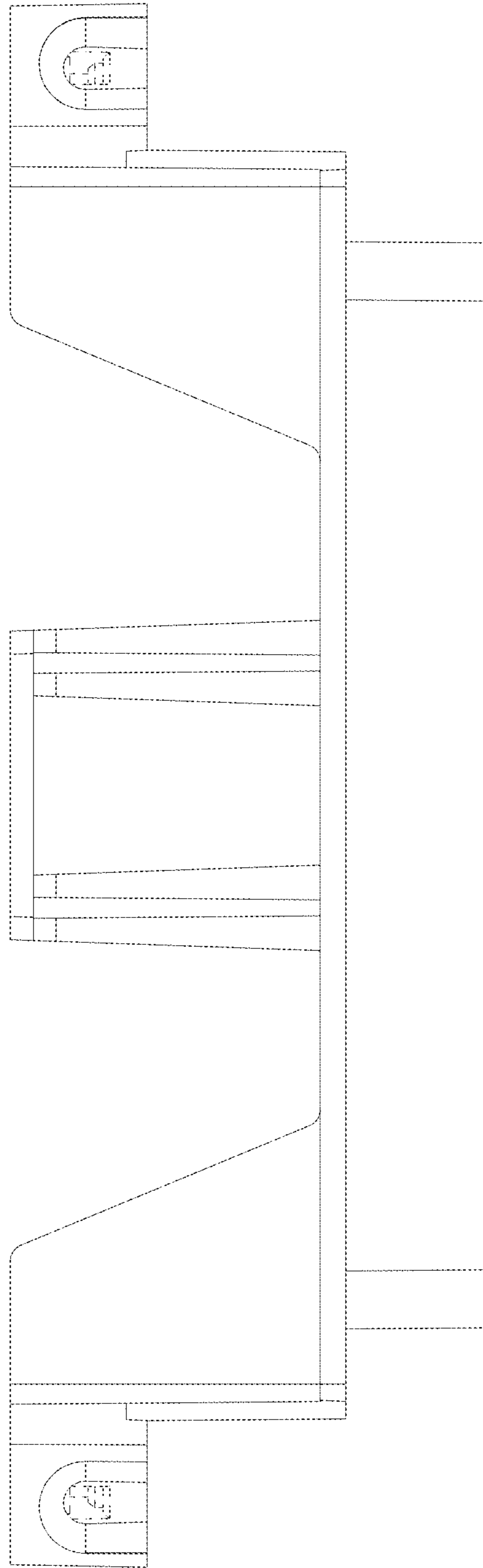


FIG. 4

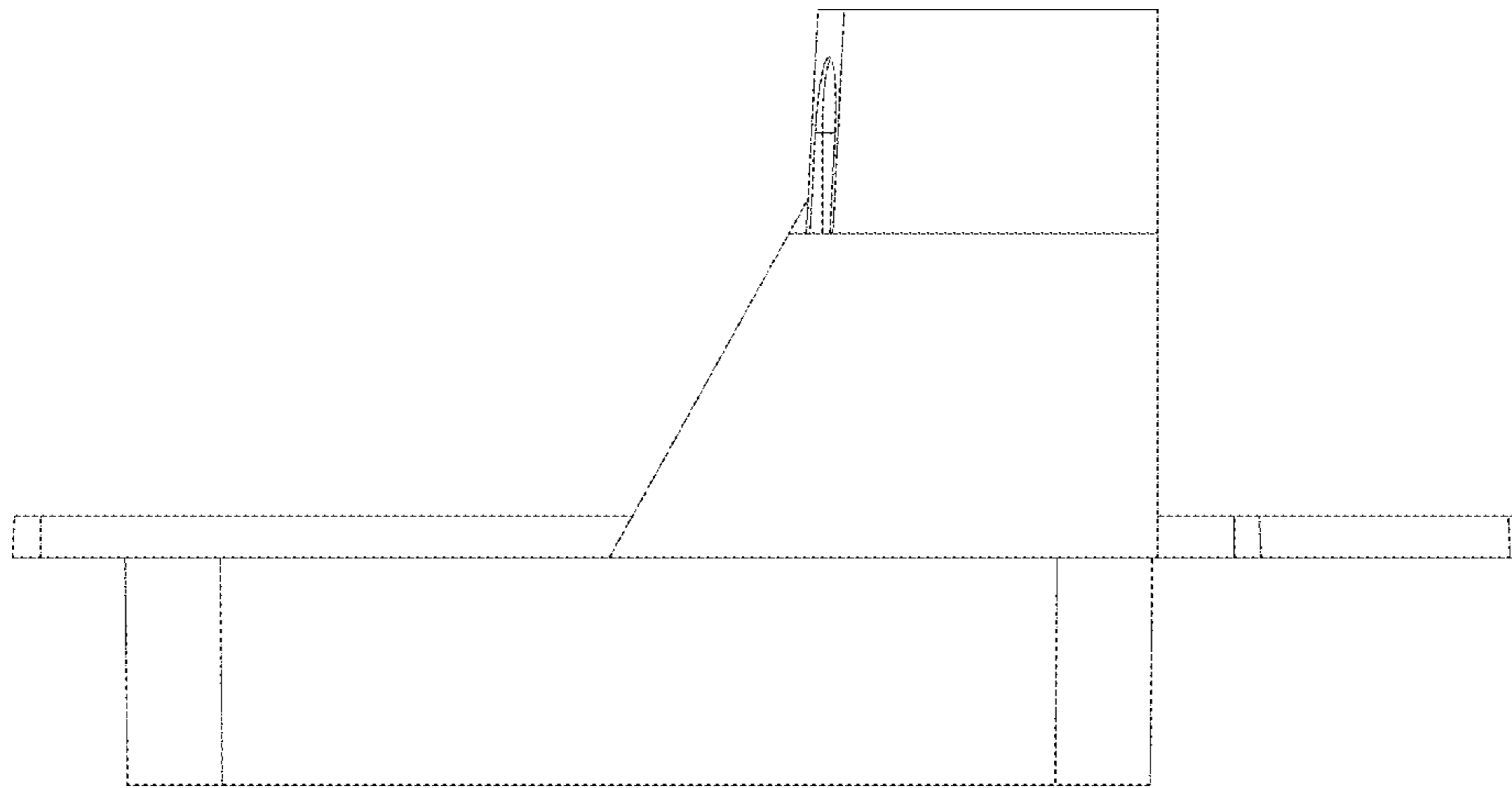


FIG. 5

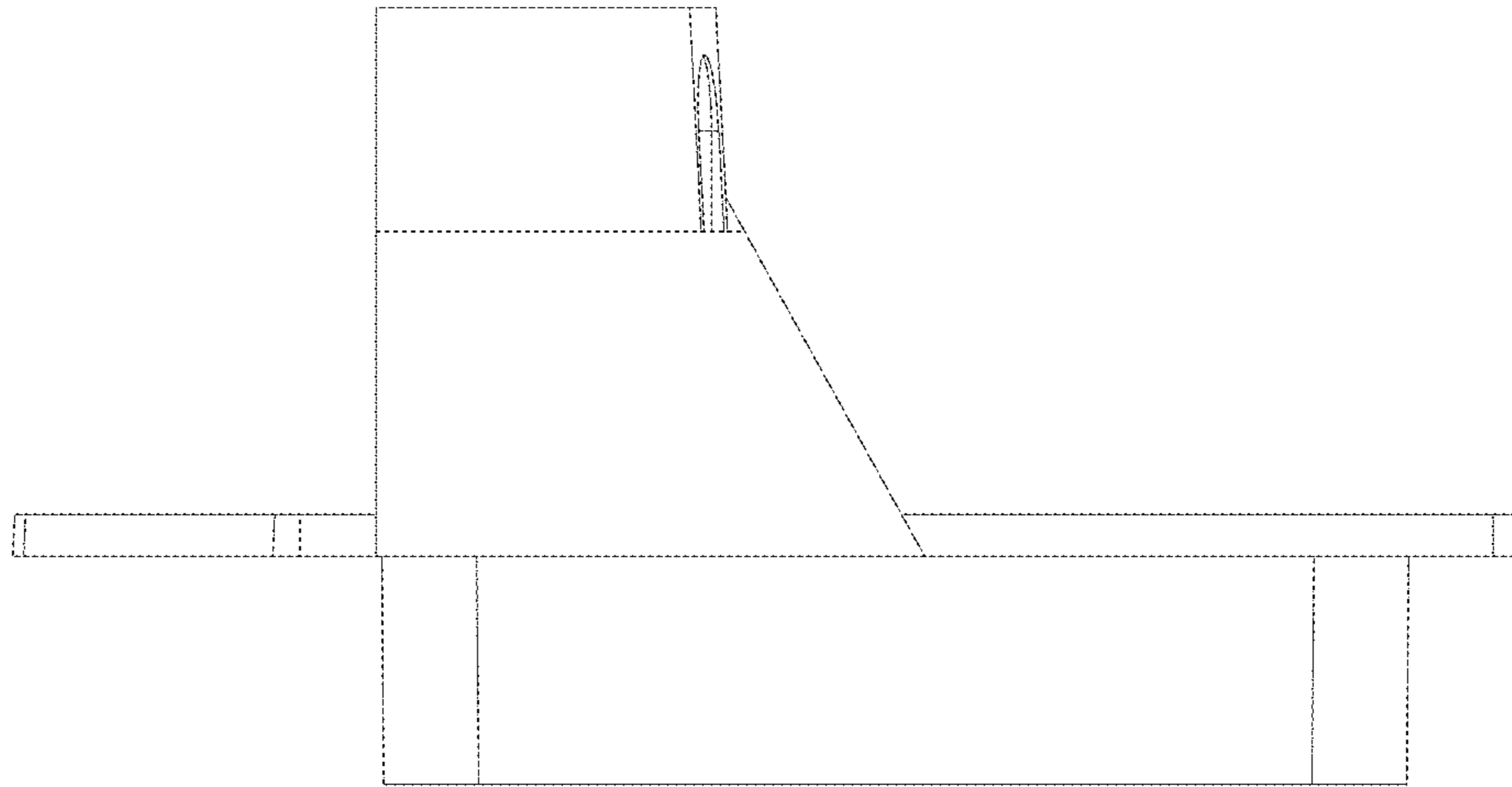


FIG. 6

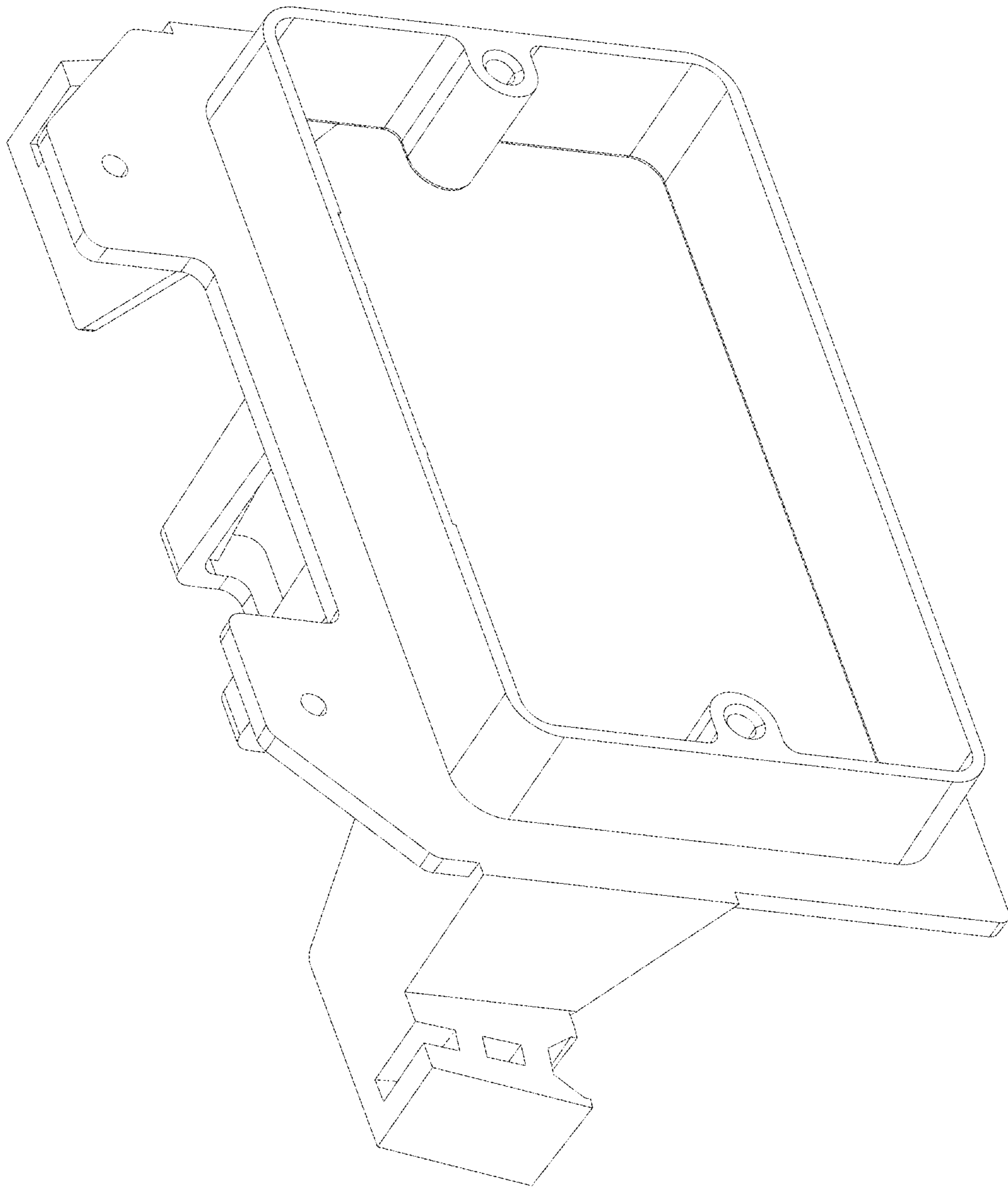


FIG. 7

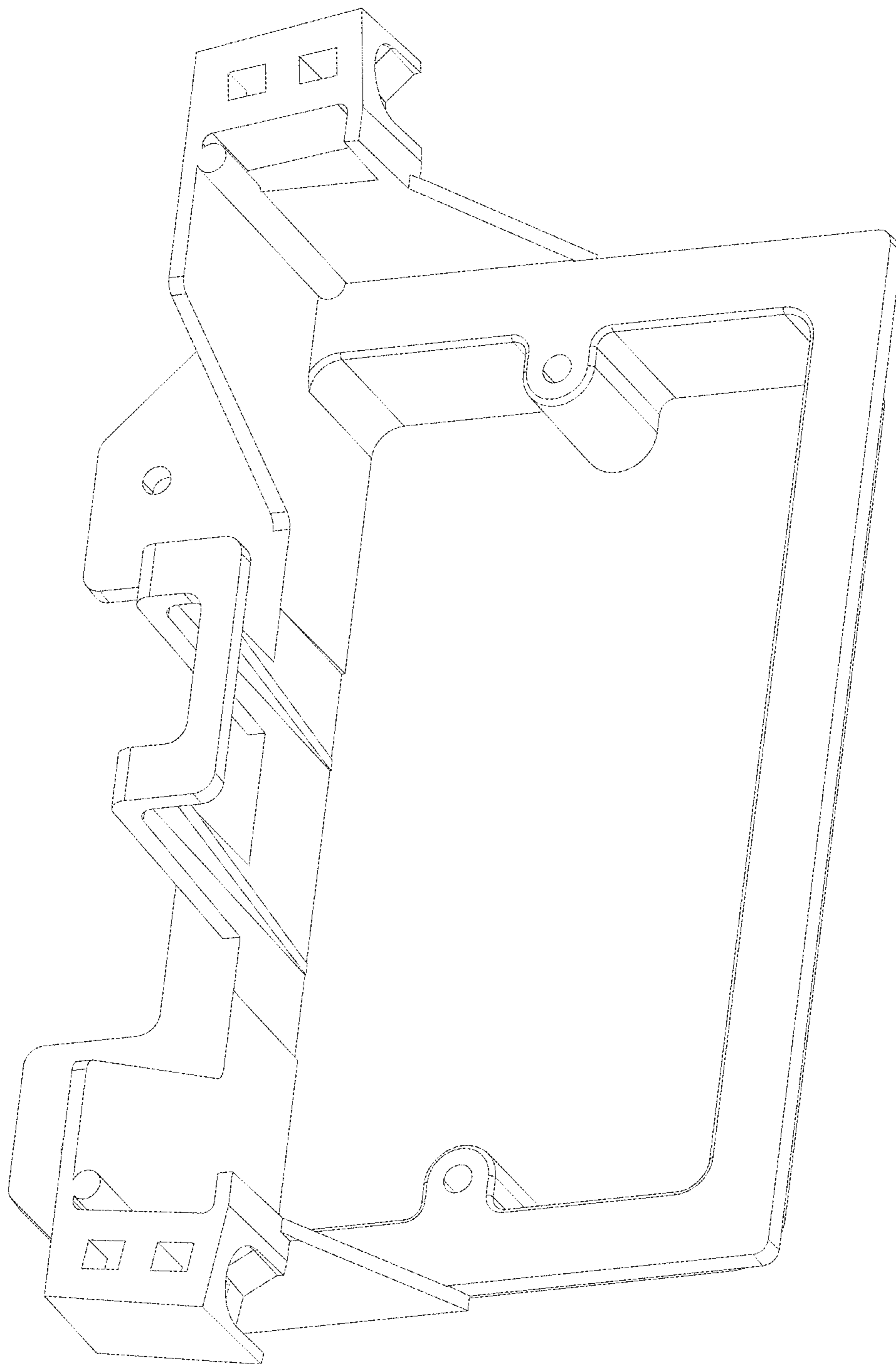


FIG. 8