



US00D876314S

(12) **United States Design Patent**
Han

(10) **Patent No.:** **US D876,314 S**

(45) **Date of Patent:** **** Feb. 25, 2020**

(54) **AUTOMOTIVE WHEEL**

(71) Applicant: **Donnie Han**, Corona, CA (US)

(72) Inventor: **Donnie Han**, Corona, CA (US)

(**) Term: **15 Years**

(21) Appl. No.: **29/665,839**

(22) Filed: **Oct. 8, 2018**

(51) **LOC (12) Cl.** **12-16**

(52) **U.S. Cl.**
USPC **D12/211**

(58) **Field of Classification Search**
USPC D12/204–213; D21/533, 561, 563
CPC B60B 7/00; B60B 7/02; B60B 7/04; B60B
7/06; B60B 3/02; B60B 3/04; B60B 3/06;
B60B 3/10; B60B 1/00; B60B 1/08;
B60B 1/10; B60B 1/12
See application file for complete search history.

(56) **References Cited**

U.S. PATENT DOCUMENTS

D199,394 S * 10/1964 Deaver et al. D12/211
D535,239 S * 1/2007 Hovind D12/209

D658,106 S * 4/2012 Thurner D12/211
D695,182 S * 12/2013 Chung D12/209
D726,620 S * 4/2015 Lickliter D12/209
D800,628 S * 10/2017 Tran D12/209
D802,509 S * 11/2017 Tran D12/209
D824,314 S * 7/2018 Chung D12/209
D830,266 S * 10/2018 Lickliter D12/209
D838,646 S * 1/2019 Harriton D12/209
D853,296 S * 7/2019 Douglas D12/209
D856,245 S * 8/2019 Hale, Jr. D12/209
D862,612 S * 10/2019 Sprowl D21/563

* cited by examiner

Primary Examiner — Sheryl Lane
Assistant Examiner — Calvin E Vansant

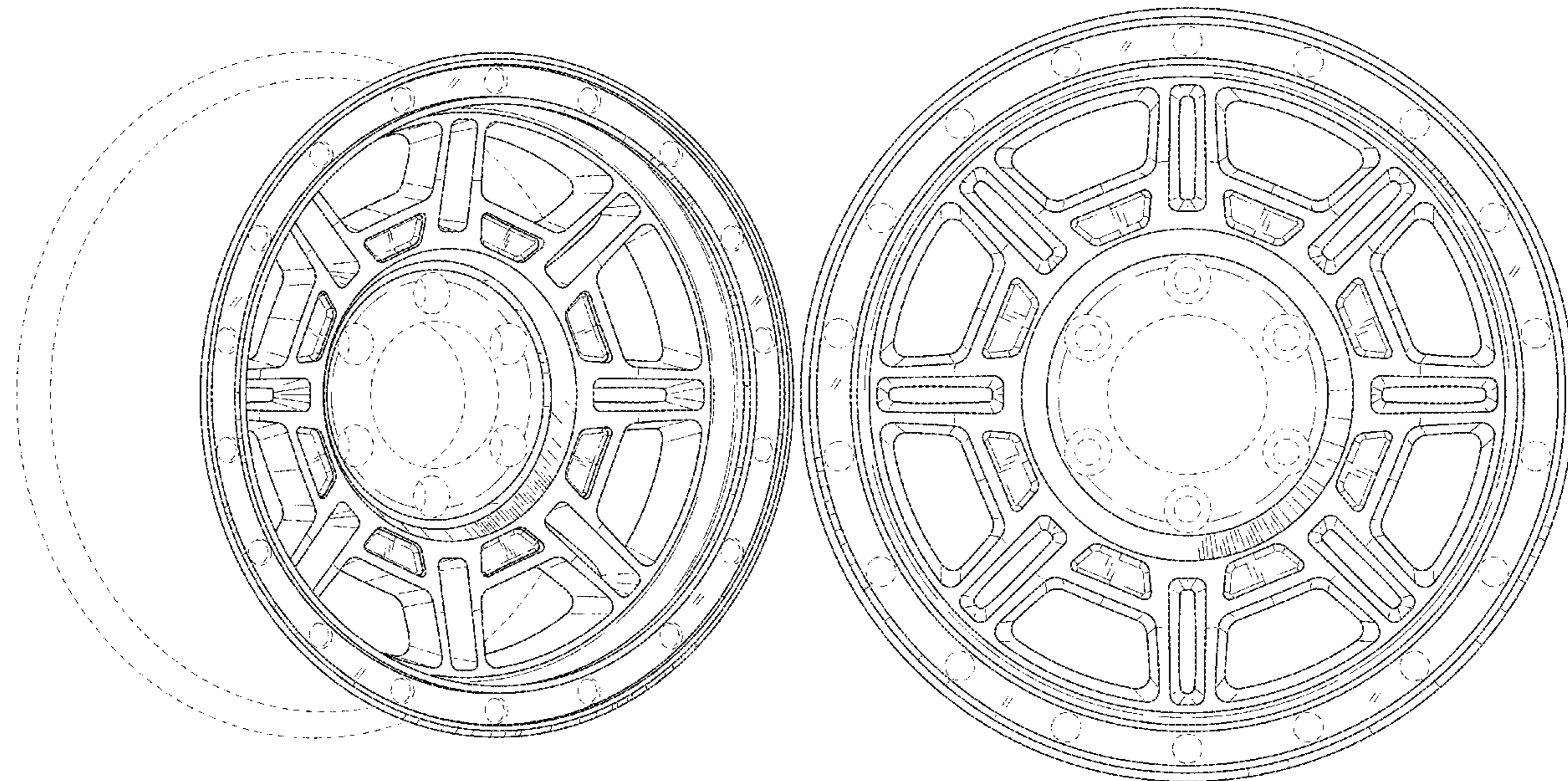
(57) **CLAIM**

The ornamental design for an automotive wheel, as shown and described.

DESCRIPTION

FIG. 1 is a perspective view of an automobile wheel showing my new design; and, FIG. 2 is a front view thereof. The broken line showing of the rear portion of the wheel is included for the purpose of illustrating environment and forms no part of the claimed design.

1 Claim, 2 Drawing Sheets



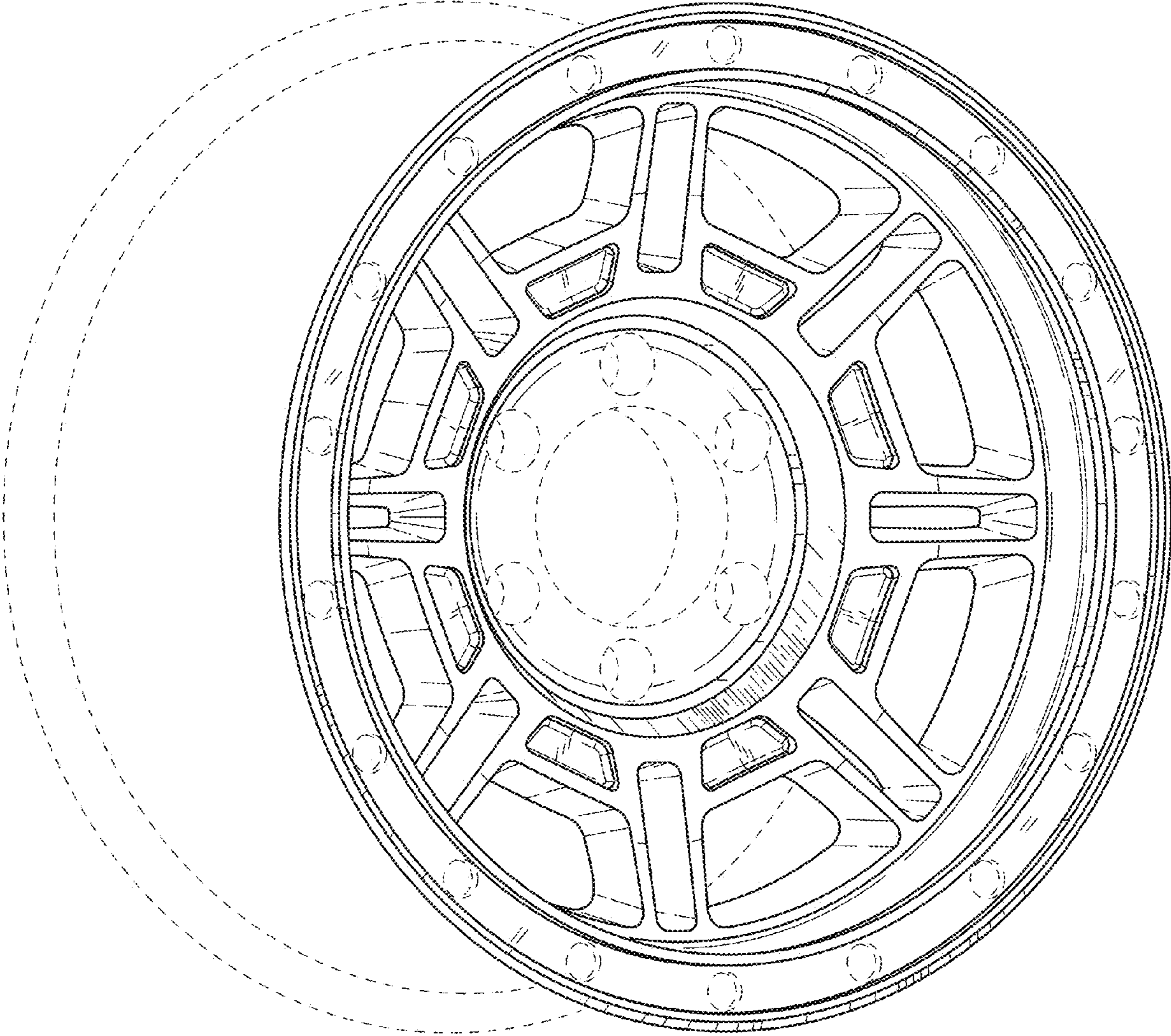


FIGURE 1

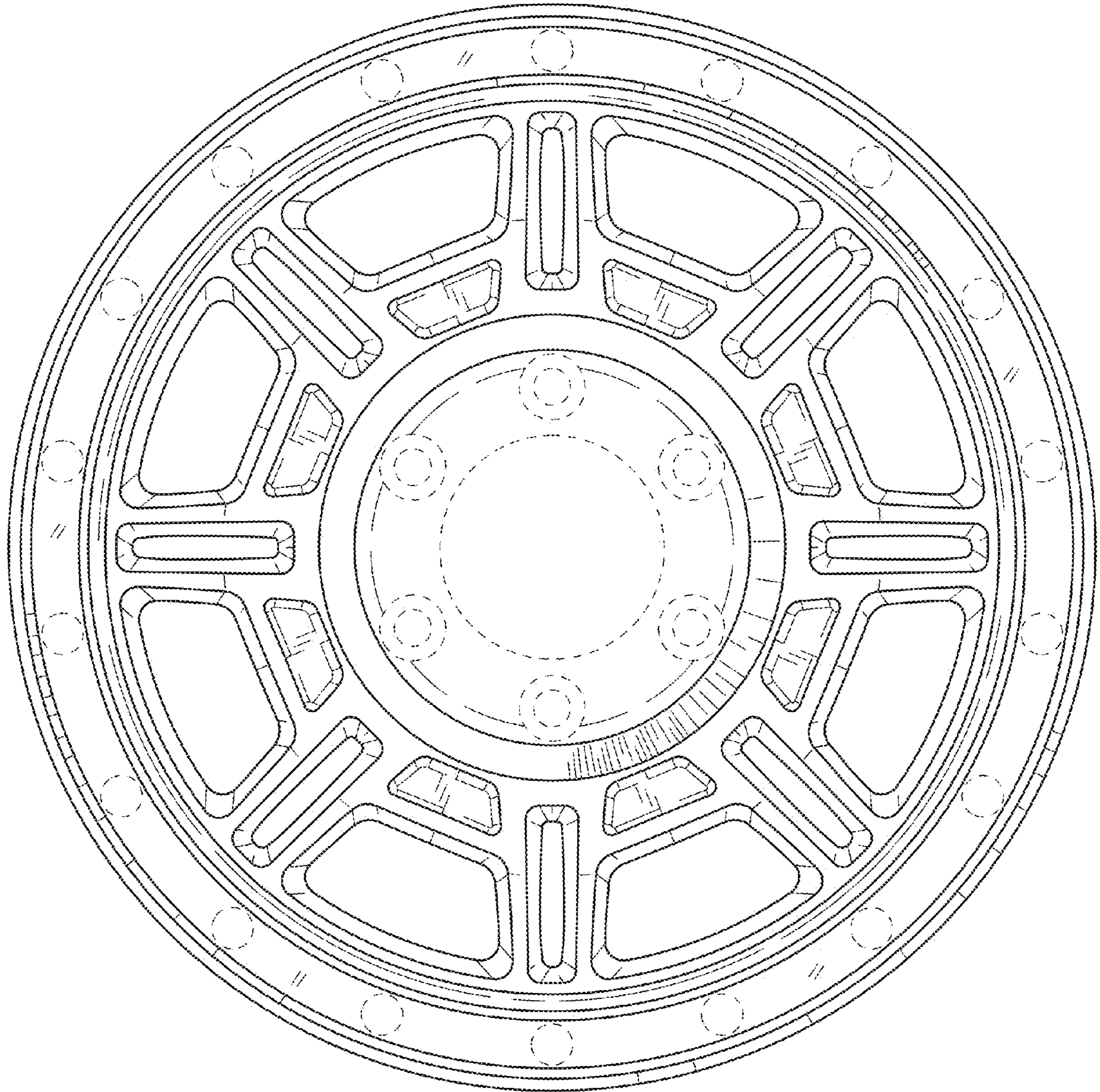


FIGURE 2