



US00D876312S

(12) **United States Design Patent**
Chan

(10) **Patent No.:** **US D876,312 S**

(45) **Date of Patent:** **** Feb. 25, 2020**

(54) **WHEEL**

(71) Applicant: **Jaguar Land Rover Limited**, Whitley, Coventry (GB)

(72) Inventor: **Alex Chan**, Whitley Coventry (GB)

(73) Assignee: **Jaguar Land Rover Limited**, Whitley, Coventry (GB)

(**) Term: **15 Years**

(21) Appl. No.: **29/684,879**

(22) Filed: **Mar. 25, 2019**

Related U.S. Application Data

(62) Division of application No. 29/629,422, filed on Dec. 13, 2017, now Pat. No. Des. 848,342.

(30) **Foreign Application Priority Data**

Jun. 15, 2017 (EM) 004048882

(51) **LOC (12) Cl.** **12-16**

(52) **U.S. Cl.**

USPC **D12/209**

(58) **Field of Classification Search**

USPC D12/204–213

CPC B60B 7/00; B60B 7/02; B60B 7/04; B60B 7/01; B60B 7/06; B60B 3/02; B60B 3/04; B60B 3/06; B60B 3/10; B60B 1/00; B60B 1/08; B60B 1/10; B60B 1/12

See application file for complete search history.

(56) **References Cited**

U.S. PATENT DOCUMENTS

D513,728 S * 1/2006 Yazawa D12/211

D619,071 S * 7/2010 Christensen D12/211

D635,077 S *	3/2011	Nordmann	D12/209
D639,226 S *	6/2011	Juergens	D12/211
D671,479 S *	11/2012	Gonser	D12/209
D673,494 S *	1/2013	Lemke	D12/209
D686,965 S *	7/2013	Pollmann	D12/211
D727,822 S *	4/2015	Wheel	D12/209
D738,281 S *	9/2015	Watkin	D12/211
D741,772 S *	10/2015	Lesnik	D12/211
D774,435 S *	12/2016	Vartola	D12/209
D787,411 S *	5/2017	Peat	D12/211
D795,151 S *	8/2017	Valencia Pollex	D12/209
D803,754 S *	11/2017	Chung	D12/211
D806,633 S *	1/2018	Setter	D12/211
D833,359 S *	11/2018	Ranum	D12/209
D833,951 S *	11/2018	Wheel	D12/211
D848,342 S *	5/2019	Chan	D12/209
D858,407 S *	9/2019	Valencia Pollex	D12/209

* cited by examiner

Primary Examiner — Stacia A Cadmus

(74) *Attorney, Agent, or Firm* — Wood Herron & Evans LLP

(57) **CLAIM**

The ornamental design for a wheel, as shown and described.

DESCRIPTION

FIG. 1 is a front left perspective view of a wheel for a vehicle according to the present invention.

FIG. 2 is a front right perspective view of the wheel shown in FIG. 1.

FIG. 3 is a front view thereof.

FIG. 4 is a left side view thereof, the right side view being a mirror image thereof.

FIG. 5 is a rear view thereof.

FIG. 6 is a rear right perspective view thereof; and,

FIG. 7 is a rear left perspective view thereof.

1 Claim, 5 Drawing Sheets

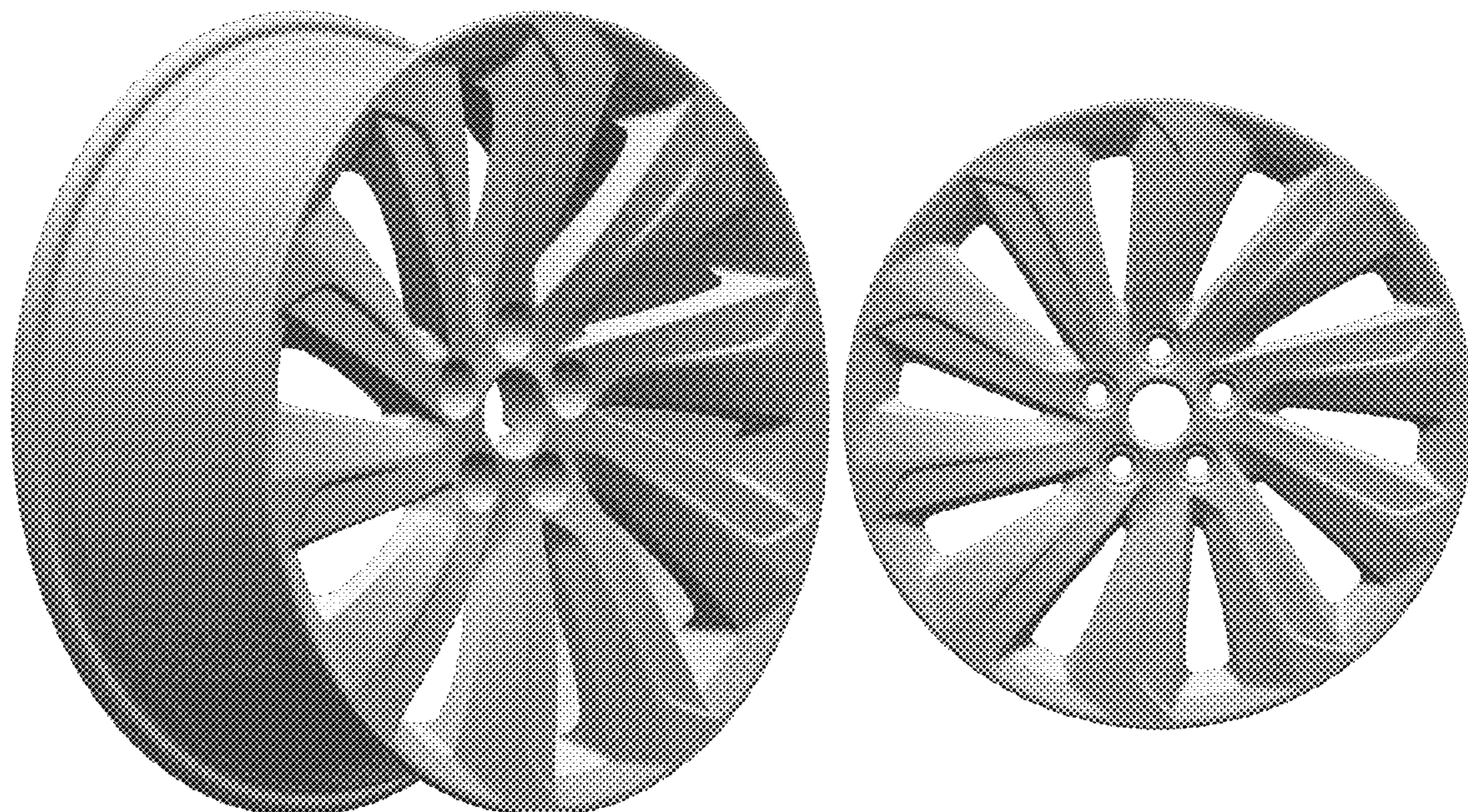




FIG. 1



FIG. 2

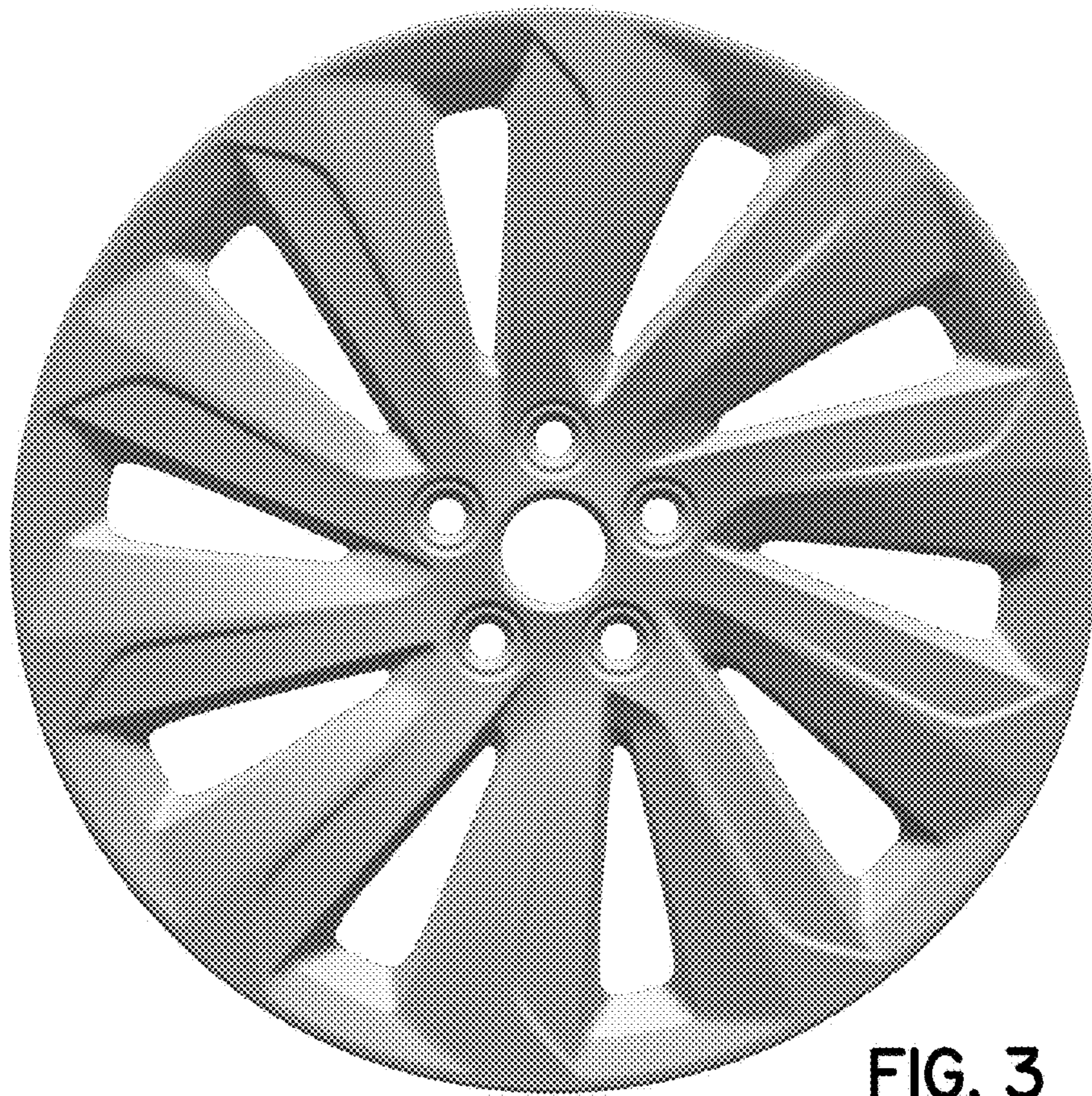


FIG. 3

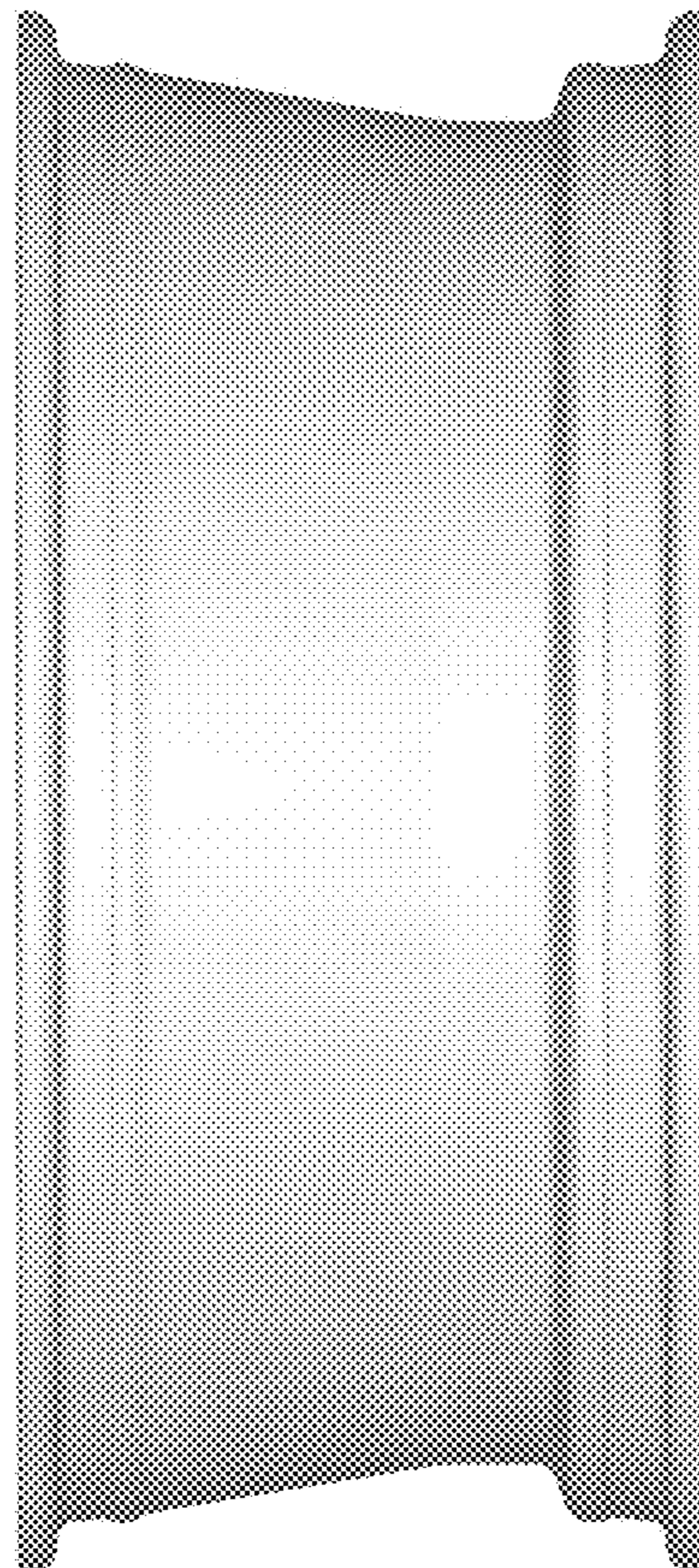


FIG. 4



FIG. 5



FIG. 6



FIG. 7