



US00D876311S

(12) **United States Design Patent**
O'Neill

(10) **Patent No.:** **US D876,311 S**

(45) **Date of Patent:** **** Feb. 25, 2020**

(54) **WHEEL**

(71) Applicant: **Jaguar Land Rover Limited**, Whitley, Coventry (GB)

(72) Inventor: **Michael O'Neill**, Coventry (GB)

(73) Assignee: **Jaguar Land Rover Limited**, Whitley, Coventry (GB)

(**) Term: **15 Years**

(21) Appl. No.: **29/684,661**

(22) Filed: **Mar. 22, 2019**

Related U.S. Application Data

(62) Division of application No. 29/624,952, filed on Nov. 6, 2017, now Pat. No. Des. 847,065.

(30) **Foreign Application Priority Data**

May 11, 2017 (EM) 003997071

(51) **LOC (12) Cl.** **12-16**

(52) **U.S. Cl.**
USPC **D12/209**

(58) **Field of Classification Search**

USPC D12/204-213
CPC B60B 7/00; B60B 7/02; B60B 7/04; B60B 7/01; B60B 7/06; B60B 3/02; B60B 3/06; B60B 3/10; B60B 1/00; B60B 1/08; B60B 1/10; B60B 1/12

See application file for complete search history.

(56) **References Cited**

U.S. PATENT DOCUMENTS

D638,768 S * 5/2011 Nissl D12/211
D655,659 S * 3/2012 Schweizer D12/209
D693,755 S * 11/2013 Valencia Pollex D12/209
D696,177 S * 12/2013 Juergens D12/209

D720,677 S * 1/2015 Diephuis D12/209
D720,679 S * 1/2015 Garbas D12/211
D732,450 S * 6/2015 Guille D12/209
D734,237 S * 7/2015 Juergens D12/211
D736,131 S * 8/2015 Mahoney D12/209
D738,805 S * 9/2015 Rueckheim D12/209
D740,193 S * 10/2015 Battams D12/209
D740,194 S * 10/2015 Valencia Pollex D12/209
D751,015 S * 3/2016 Mahoney D12/209

(Continued)

Primary Examiner — Stacia A Cadmus

(74) *Attorney, Agent, or Firm* — Wood Herron & Evans LLP

(57) **CLAIM**

The ornamental design for a wheel, as shown and described.

DESCRIPTION

FIG. 1 is a front left perspective view of a wheel for a vehicle according to the present invention.

FIG. 2 is a front right perspective view of the wheel shown in FIG. 1.

FIG. 3 is a front view thereof.

FIG. 4 is a left side view thereof, the right side view being a mirror image thereof.

FIG. 5 is a rear view thereof.

FIG. 6 is a rear right perspective view thereof.

FIG. 7 is a rear left perspective view thereof.

FIG. 8 is a front left perspective view of a wheel for a vehicle according to a second embodiment of the present invention.

FIG. 9 is a front right perspective view of the wheel shown in FIG. 8.

FIG. 10 is a front view thereof.

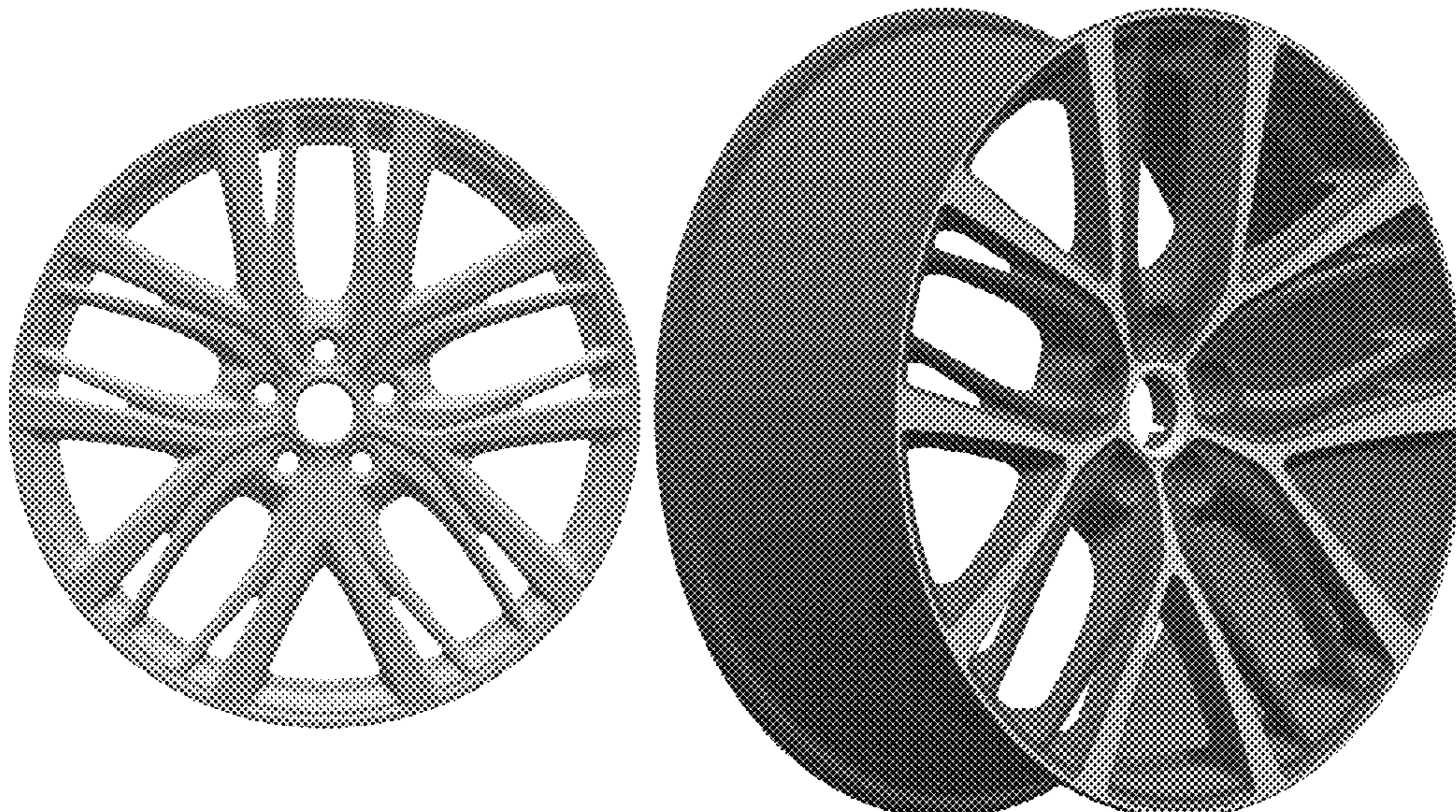
FIG. 11 is a left side view thereof, the right side view being a mirror image thereof.

FIG. 12 is a rear view thereof.

FIG. 13 is a rear right perspective view thereof; and,

FIG. 14 is a rear left perspective view thereof.

1 Claim, 10 Drawing Sheets



(56)

References Cited

U.S. PATENT DOCUMENTS

D775,576 S *	1/2017	Liffick	D12/211
D788,004 S *	5/2017	Mielke	D12/209
D788,675 S *	6/2017	Kippes	D12/209
D788,681 S *	6/2017	Juergens	D12/211
D790,429 S *	6/2017	Juergens	D12/211
D793,319 S *	8/2017	Namba	D12/209
D820,761 S *	6/2018	Badstuebner	D12/211
D824,311 S *	7/2018	Krause	D12/209
D847,065 S *	4/2019	O'Neill	D12/209
D848,344 S *	5/2019	Juergens	D12/209
D852,701 S *	7/2019	Groth	D12/209
D859,261 S *	9/2019	Luk	D12/209

* cited by examiner



FIG. 1



FIG. 2

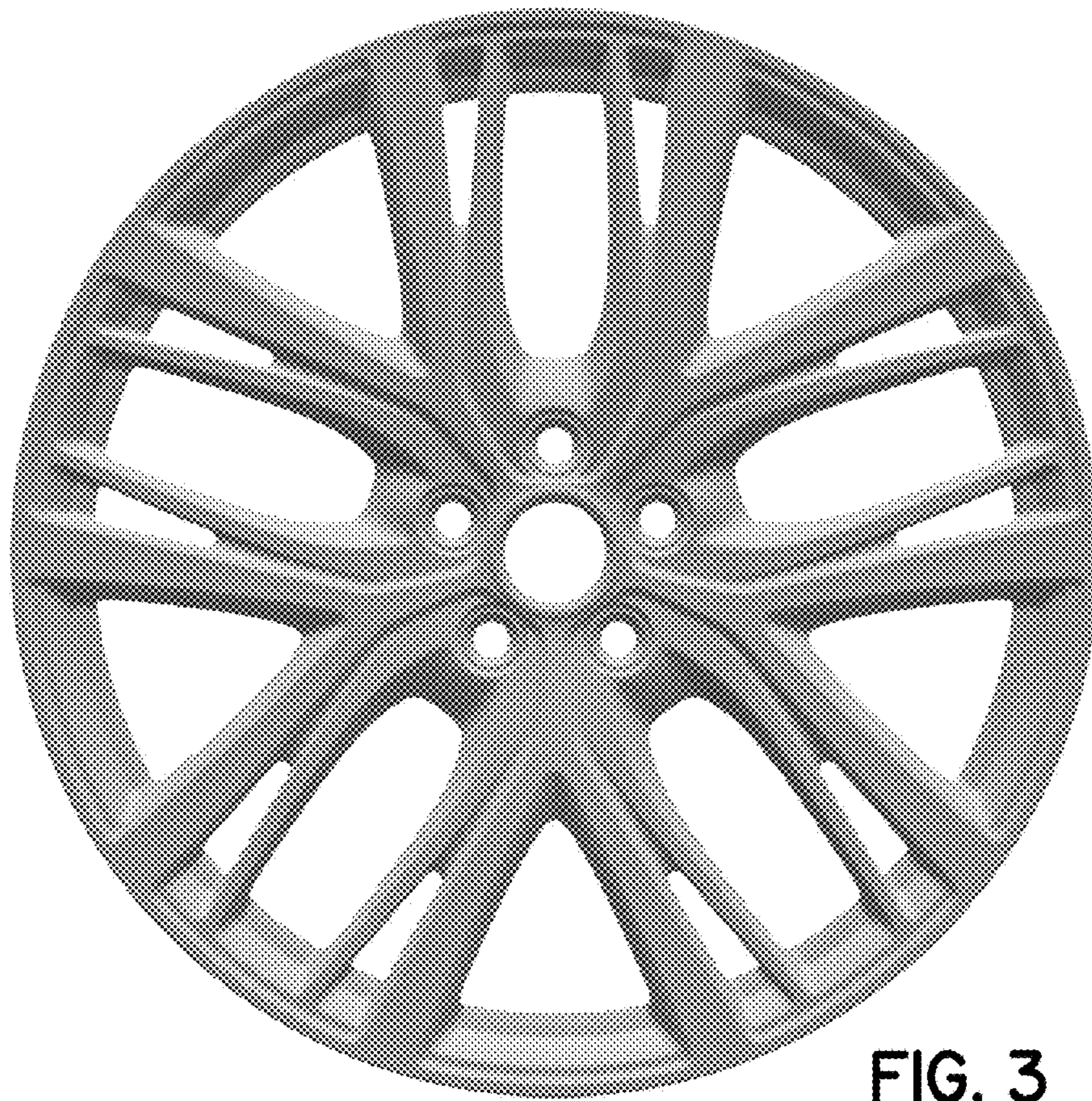


FIG. 3

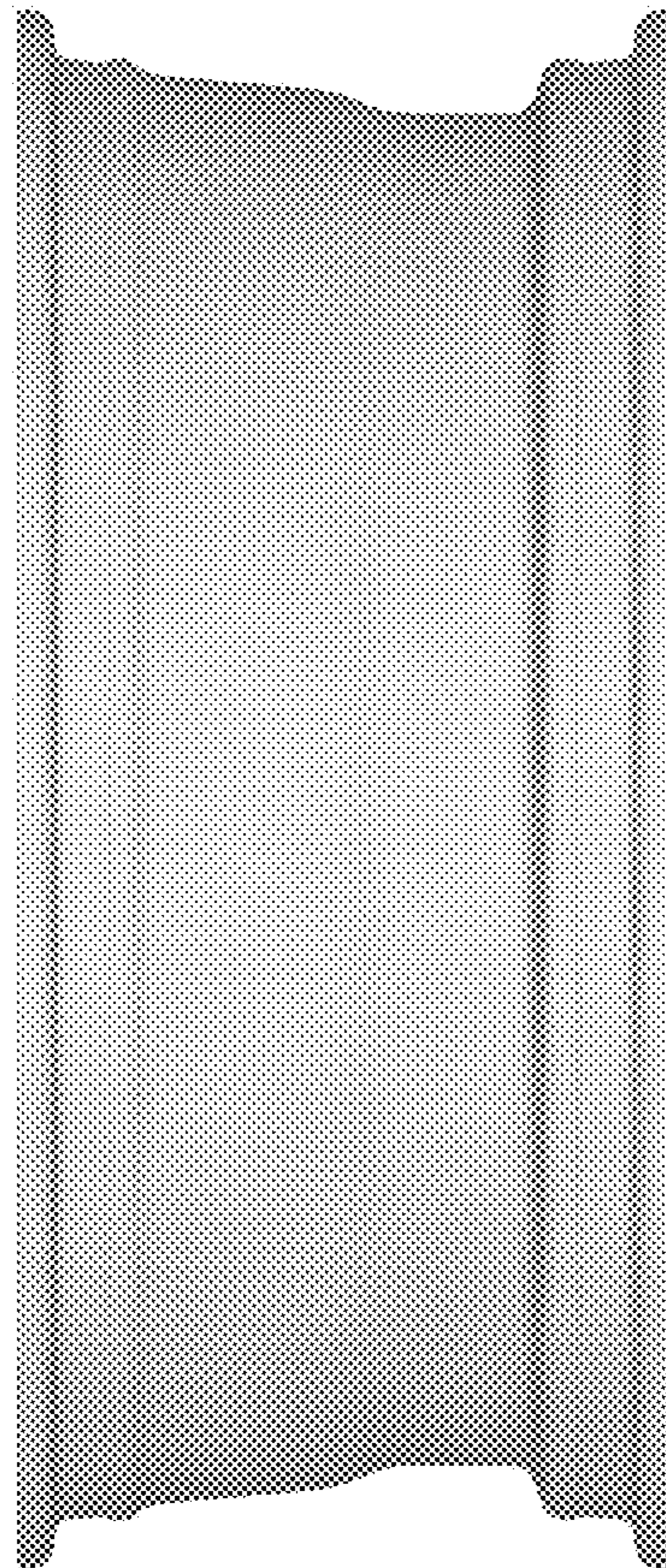


FIG. 4

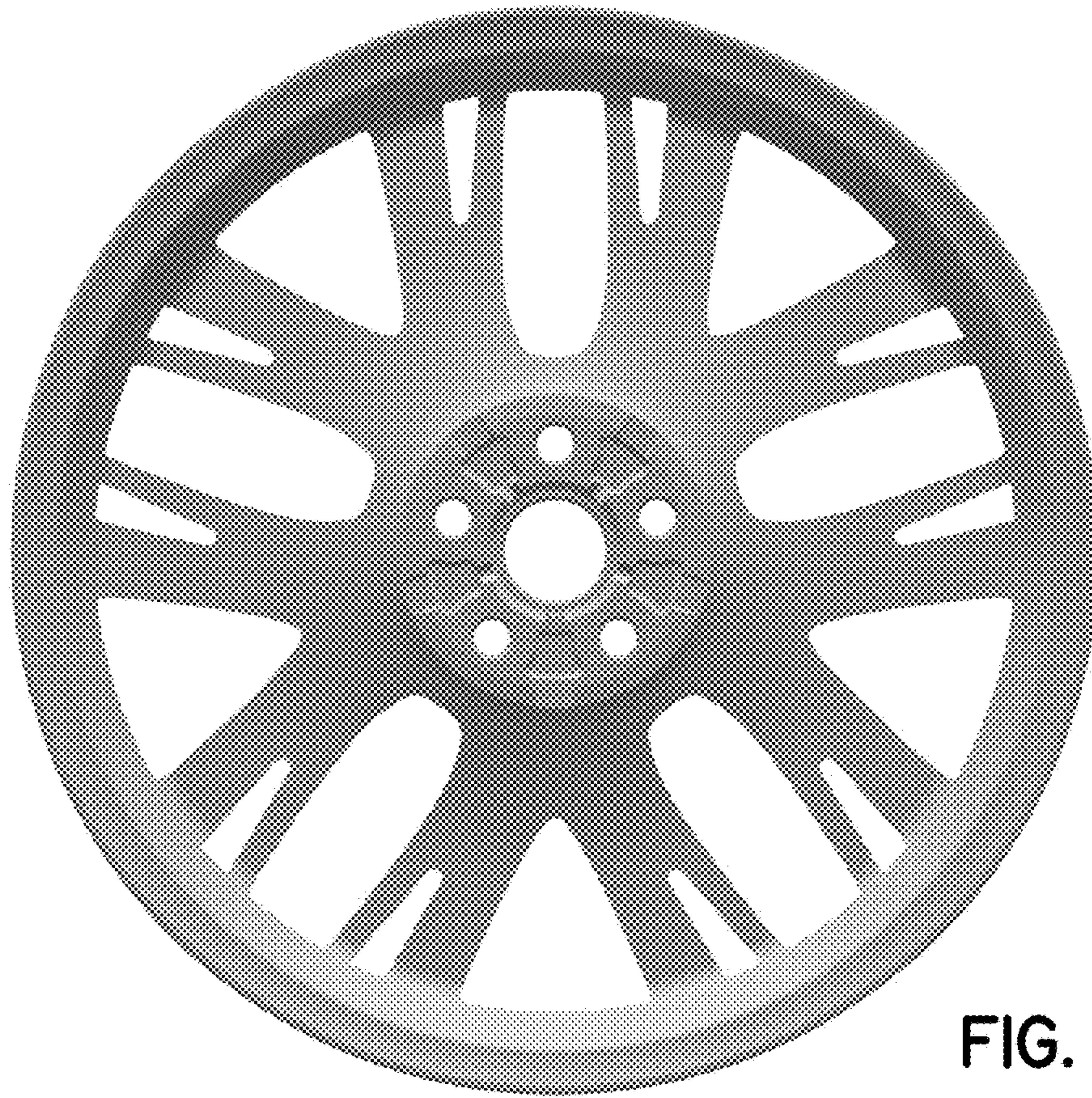


FIG. 5



FIG. 6



FIG. 7



FIG. 8



FIG. 9



FIG. 10

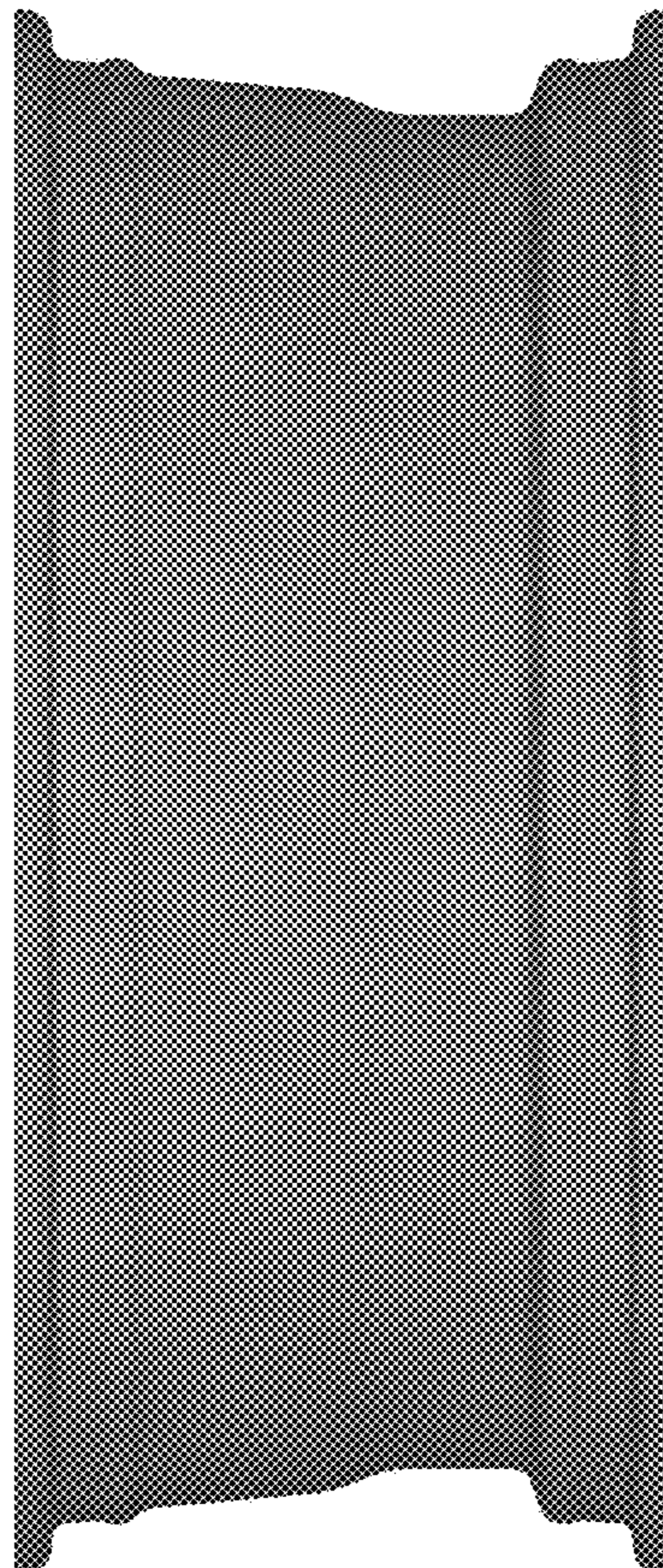


FIG. 11

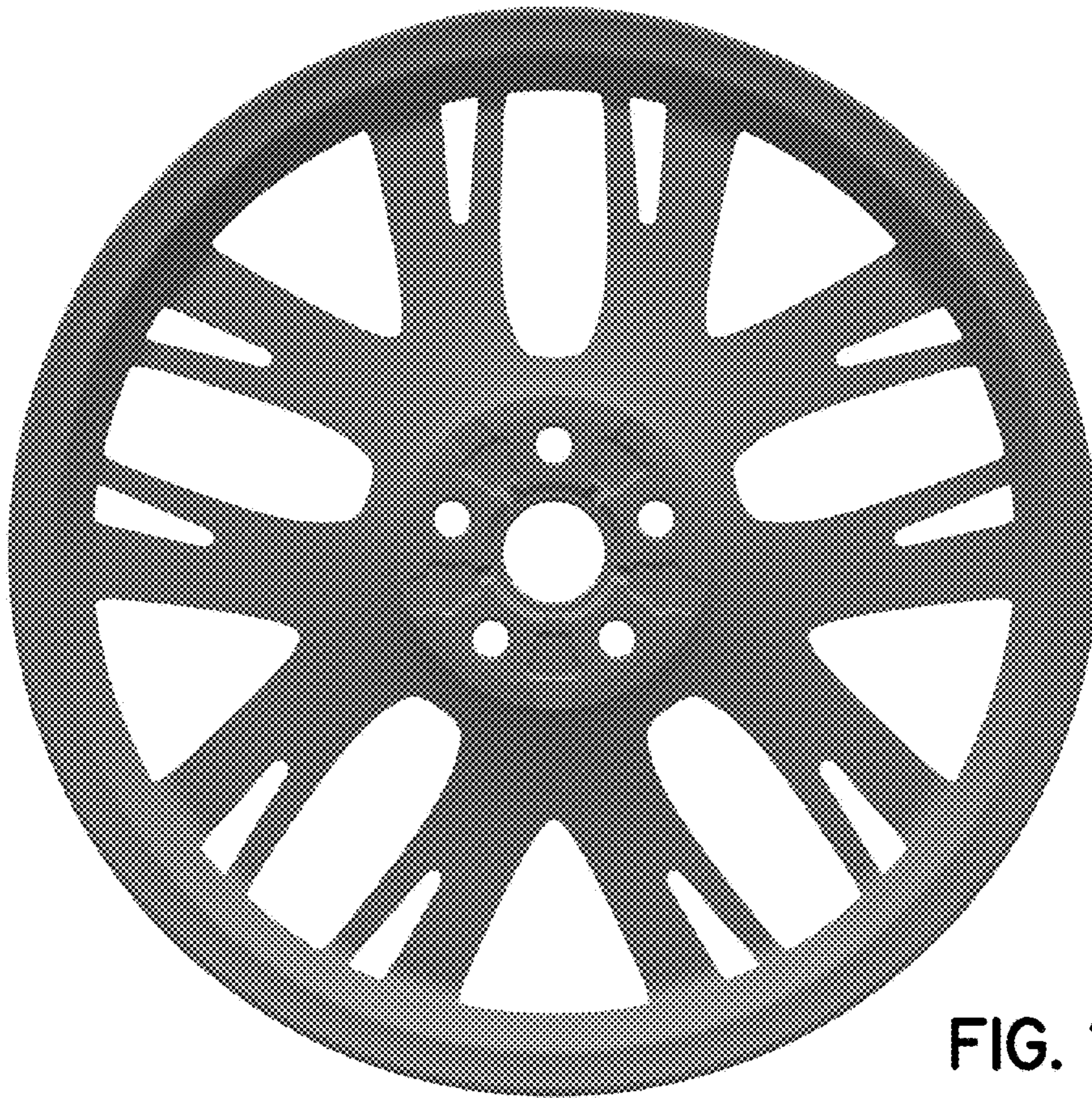


FIG. 12



FIG. 13



FIG. 14