

US00D876310S

(12) **United States Design Patent**
Hamilton

(10) **Patent No.:** **US D876,310 S**

(45) **Date of Patent:** **** Feb. 25, 2020**

(54) **WHEEL**

(71) Applicant: **Arkon Wheels, LLC**, Saint Charles, IL (US)

(72) Inventor: **Stephen Hamilton**, St. Charles, IL (US)

(73) Assignee: **ARKON WHEELS, LLC**, St. Charles, IL (US)

(**) Term: **15 Years**

(21) Appl. No.: **29/672,860**

(22) Filed: **Dec. 10, 2018**

(51) **LOC (12) Cl.** **12-16**

(52) **U.S. Cl.**
USPC **D12/209**

(58) **Field of Classification Search**
USPC D12/204–213
CPC B60B 7/00; B60B 7/02; B60B 7/04; B60B 7/01; B60B 7/06; B60B 3/02; B60B 3/04; B60B 3/06; B60B 3/10; B60B 1/00; B60B 1/08; B60B 1/10; B60B 1/12
See application file for complete search history.

(56) **References Cited**

U.S. PATENT DOCUMENTS

D275,193 S * 8/1984 Schinella D12/211
D303,949 S * 10/1989 Nakatsuka D12/211
D697,467 S * 1/2014 Pollmann D12/209

D697,858 S * 1/2014 Kito D12/209
D738,280 S * 9/2015 Hale D12/209
D748,553 S * 2/2016 Miyazawa D12/209
D774,437 S * 12/2016 Nakano D12/209
D774,438 S * 12/2016 Valencia Pollex D12/209
D776,596 S * 1/2017 Wolff D12/211
D828,269 S * 9/2018 Kikuchi D12/209
D830,271 S * 10/2018 Aslam D12/213
D830,941 S * 10/2018 Hamilton D12/211
D831,558 S * 10/2018 Starr, Jr. D12/209
D838,644 S * 1/2019 Chung D12/209
D840,900 S * 2/2019 Lickliter D12/211
D843,300 S * 3/2019 Hodges D12/209
D846,478 S * 4/2019 Kovacs D12/209
D855,539 S * 8/2019 Han D12/209
D856,891 S * 8/2019 Zhao D12/209
D857,592 S * 8/2019 Han D12/209
D860,093 S * 9/2019 Milani D12/209
D862,350 S * 10/2019 Woodhouse D12/209
D862,355 S * 10/2019 Battams D12/209

* cited by examiner

Primary Examiner — Stacia A Cadmus

(74) *Attorney, Agent, or Firm* — Cotman IP Law Group

(57) **CLAIM**

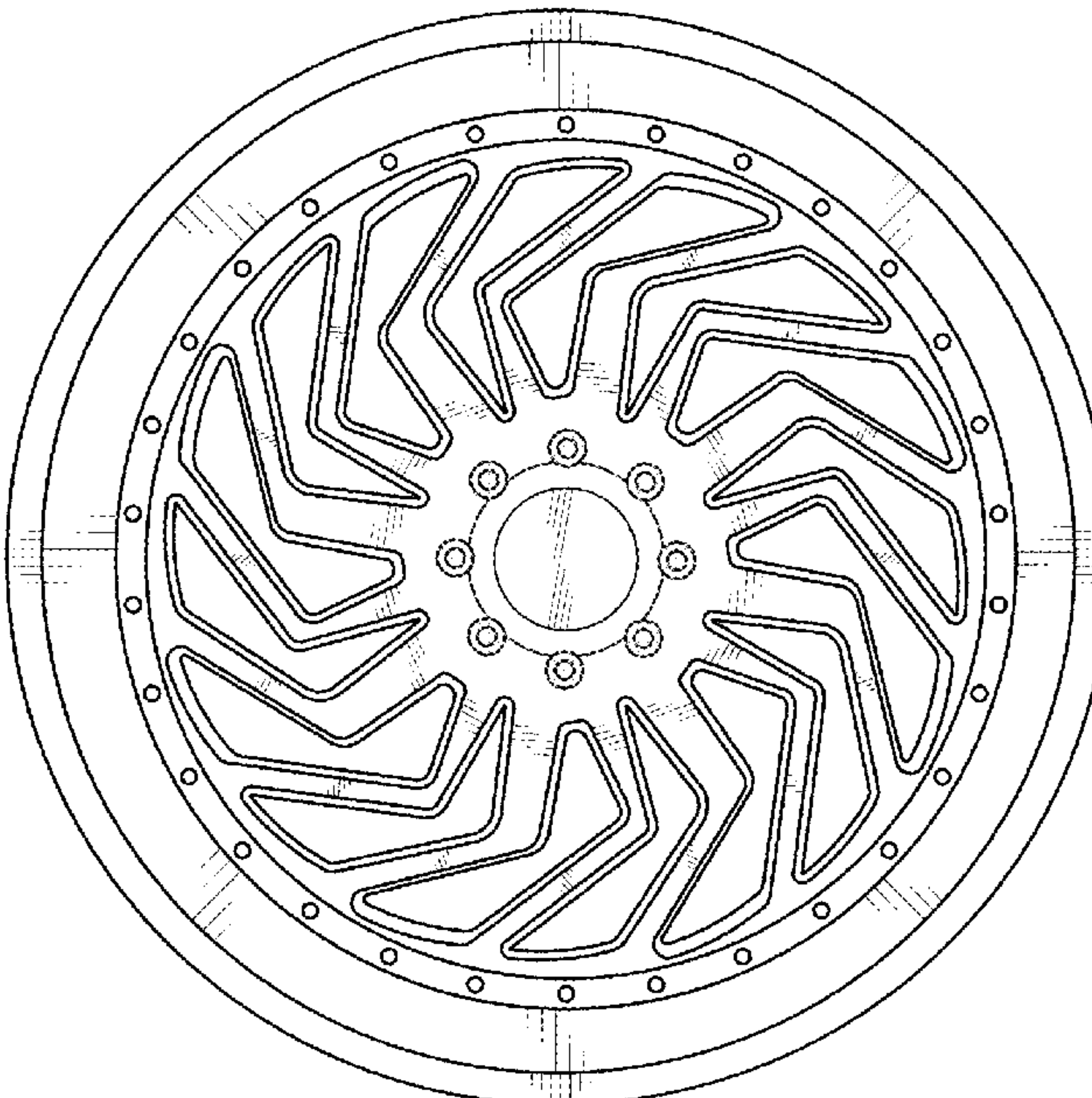
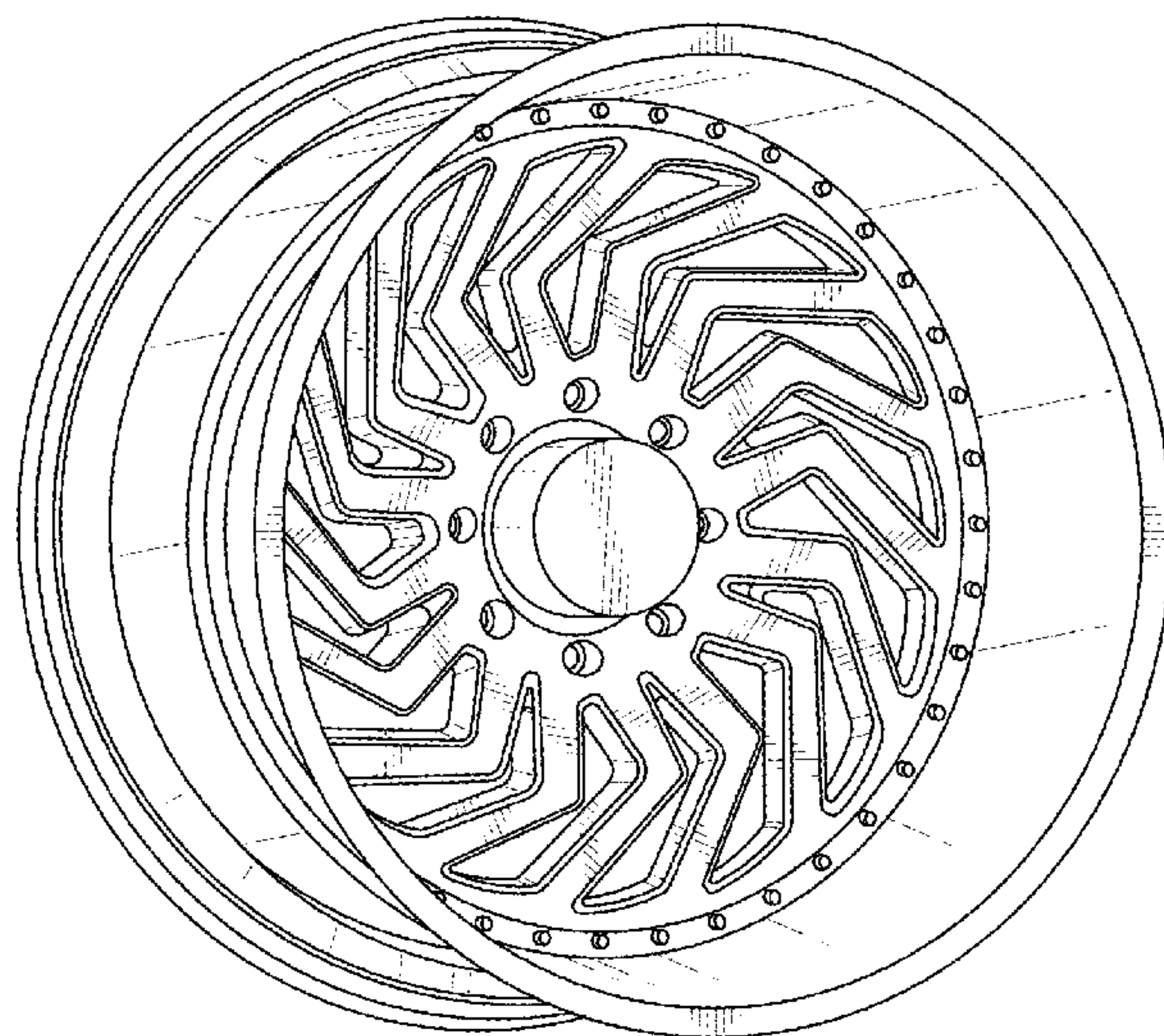
The ornamental design for a wheel, as shown and described.

DESCRIPTION

FIG. 1 is a perspective view of the wheel showing the new design; and,

FIG. 2 is a front elevation view thereof.

1 Claim, 2 Drawing Sheets



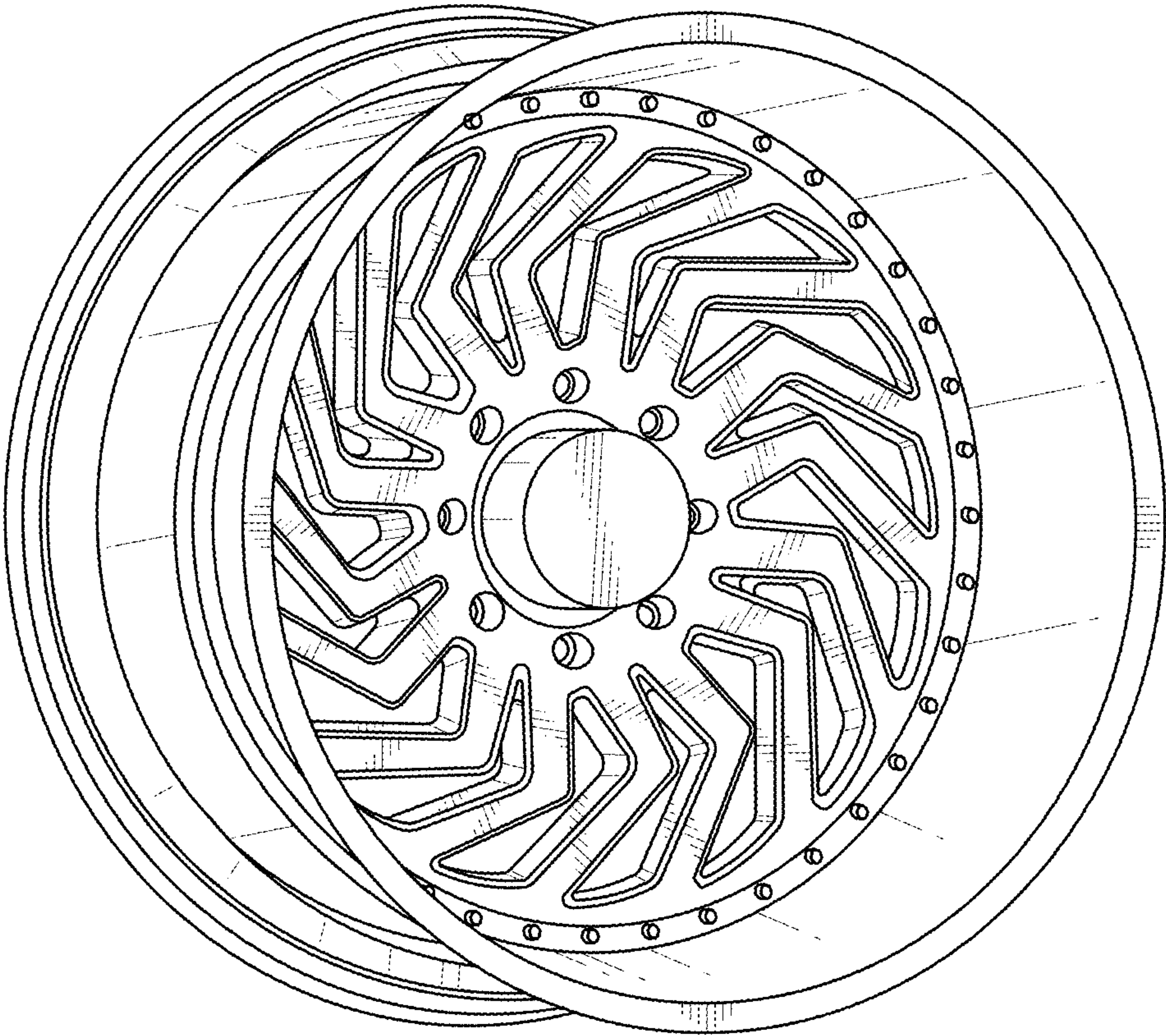


FIG. 1

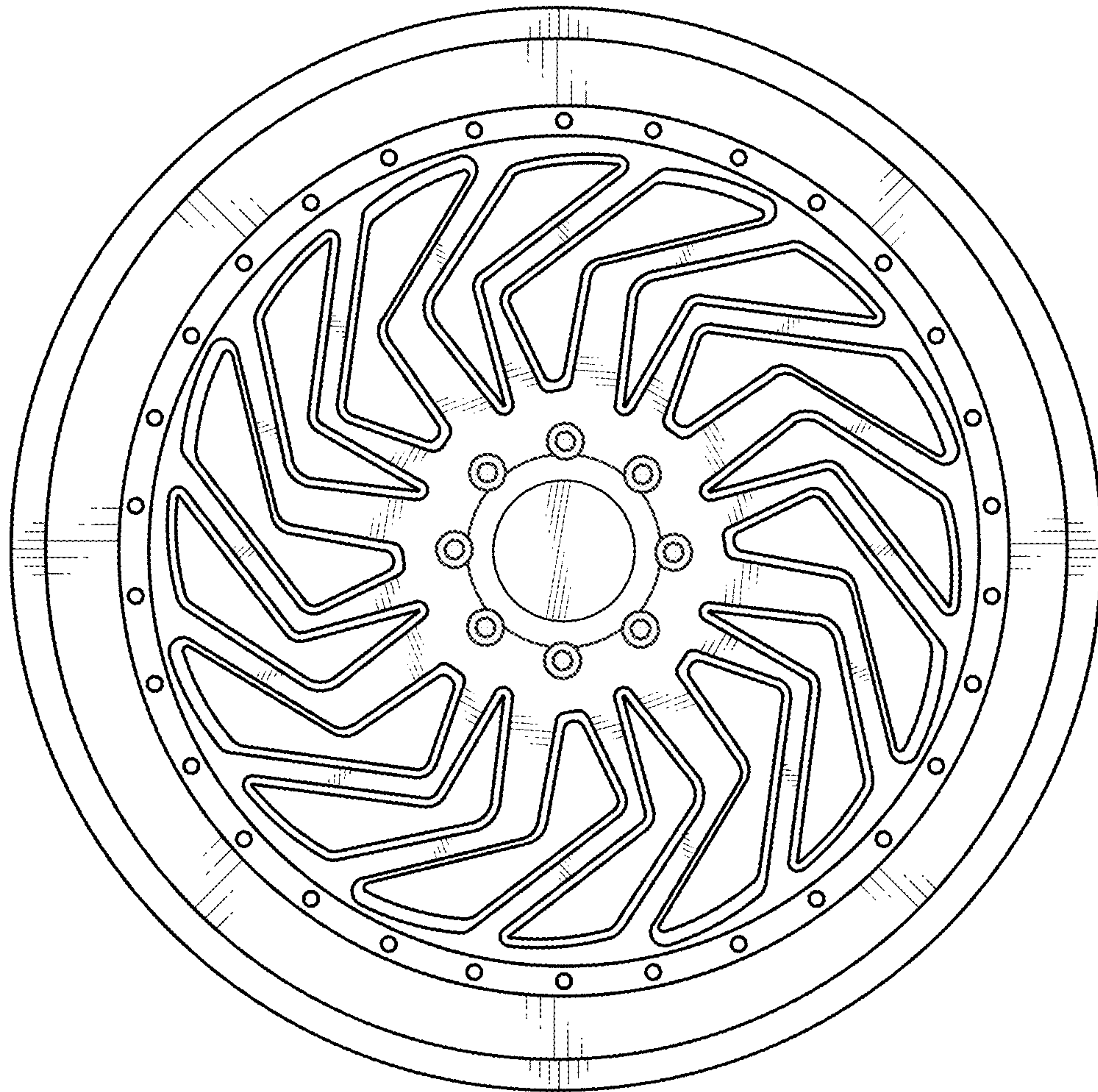


FIG. 2

UNITED STATES PATENT AND TRADEMARK OFFICE
CERTIFICATE OF CORRECTION

PATENT NO. : D876,310 S
APPLICATION NO. : 29/672860
DATED : February 25, 2020
INVENTOR(S) : Hamilton et al.

Page 1 of 1

It is certified that error appears in the above-identified patent and that said Letters Patent is hereby corrected as shown below:

On the Title Page

Item (12), should read:
Hamilton et al.

Item (72), should read:
Stephen Hamilton, St. Charles, IL (US);
Jon L. Chartier, Appleton, WI (US);
Shawn W. Chartier, Appleton, WI (US)

Signed and Sealed this
Twentieth Day of September, 2022
Katherine Kelly Vidal

Katherine Kelly Vidal
Director of the United States Patent and Trademark Office