



US00D876309S

(12) **United States Design Patent**  
**Echazabal**

(10) **Patent No.:** **US D876,309 S**

(45) **Date of Patent:** **\*\* Feb. 25, 2020**

(54) **VEHICLE WHEEL**

(71) Applicant: **Toyota Motor Engineering & Manufacturing North America, Inc.**,  
Plano, TX (US)

(72) Inventor: **Alberto Echazabal**, Prosper, TX (US)

(73) Assignee: **Toyota Motor Engineering & Manufacturing North America, Inc.**,  
Plano, TX (US)

(\*\*) Term: **15 Years**

(21) Appl. No.: **29/662,356**

(22) Filed: **Sep. 5, 2018**

(51) **LOC (12) Cl.** ..... **12-16**

(52) **U.S. Cl.**  
USPC ..... **D12/209**

(58) **Field of Classification Search**  
USPC ..... D12/204–213  
CPC .... B60B 7/00; B60B 7/02; B60B 7/04; B60B 7/01; B60B 7/06; B60B 3/02; B60B 3/04; B60B 3/06; B60B 3/10; B60B 1/00; B60B 1/08; B60B 1/10; B60B 1/12  
See application file for complete search history.

(56) **References Cited**

**U.S. PATENT DOCUMENTS**

|            |   |         |          |       |         |
|------------|---|---------|----------|-------|---------|
| D402,952 S | * | 12/1998 | Sycha    | ..... | D12/211 |
| D475,336 S | * | 6/2003  | Larson   | ..... | D12/209 |
| D496,623 S | * | 9/2004  | Elmitt   | ..... | D12/211 |
| D572,185 S | * | 7/2008  | Pollmann | ..... | D12/211 |
| D579,397 S | * | 10/2008 | Osborne  | ..... | D12/211 |
| D586,715 S | * | 2/2009  | Cortes   | ..... | D12/211 |
| D589,427 S | * | 3/2009  | Scheu    | ..... | D12/211 |
| D628,135 S | * | 11/2010 | Zhao     | ..... | D12/211 |
| D629,732 S | * | 12/2010 | Tirado   | ..... | D12/209 |
| D644,587 S | * | 9/2011  | Gotschke | ..... | D12/209 |
| D656,448 S | * | 3/2012  | Zhao     | ..... | D12/211 |

|            |   |         |               |       |         |
|------------|---|---------|---------------|-------|---------|
| D670,227 S | * | 11/2012 | Chung         | ..... | D12/211 |
| D687,756 S | * | 8/2013  | Campbell      | ..... | D12/209 |
| D688,187 S | * | 8/2013  | McMath        | ..... | D12/209 |
| D706,198 S | * | 6/2014  | Chung         | ..... | D12/211 |
| D731,946 S | * | 6/2015  | Chung         | ..... | D12/211 |
| D733,027 S | * | 6/2015  | Chung         | ..... | D12/211 |
| D750,004 S | * | 2/2016  | Chung         | ..... | D12/211 |
| D758,948 S | * | 6/2016  | Trpinac       | ..... | D12/211 |
| D765,002 S | * | 8/2016  | Hoste         | ..... | D12/209 |
| D767,468 S | * | 9/2016  | Stone         | ..... | D12/211 |
| D781,199 S | * | 3/2017  | Dionisopoulos | ..... | D12/209 |
| D786,165 S | * | 5/2017  | Hale, Jr.     | ..... | D12/213 |
| D787,405 S | * | 5/2017  | Nakamura      | ..... | D12/209 |
| D791,036 S | * | 7/2017  | Owens         | ..... | D12/209 |
| D792,827 S | * | 7/2017  | Chung         | ..... | D12/209 |
| D800,044 S | * | 10/2017 | Ghobrial      | ..... | D12/209 |
| D817,846 S | * | 5/2018  | Stone         | ..... | D12/209 |
| D835,024 S | * | 12/2018 | Han           | ..... | D12/209 |
| D849,660 S | * | 5/2019  | Ranum         | ..... | D12/213 |

\* cited by examiner

*Primary Examiner* — Stacia A Cadmus

(74) *Attorney, Agent, or Firm* — Dinsmore & Shohl LLP

(57) **CLAIM**

The ornamental design for a vehicle wheel, as shown and described.

**DESCRIPTION**

FIG. 1 is a perspective view of a vehicle wheel showing my new design;

FIG. 2 is a front view thereof;

FIG. 3 is a rear view thereof;

FIG. 4 is a side view thereof;

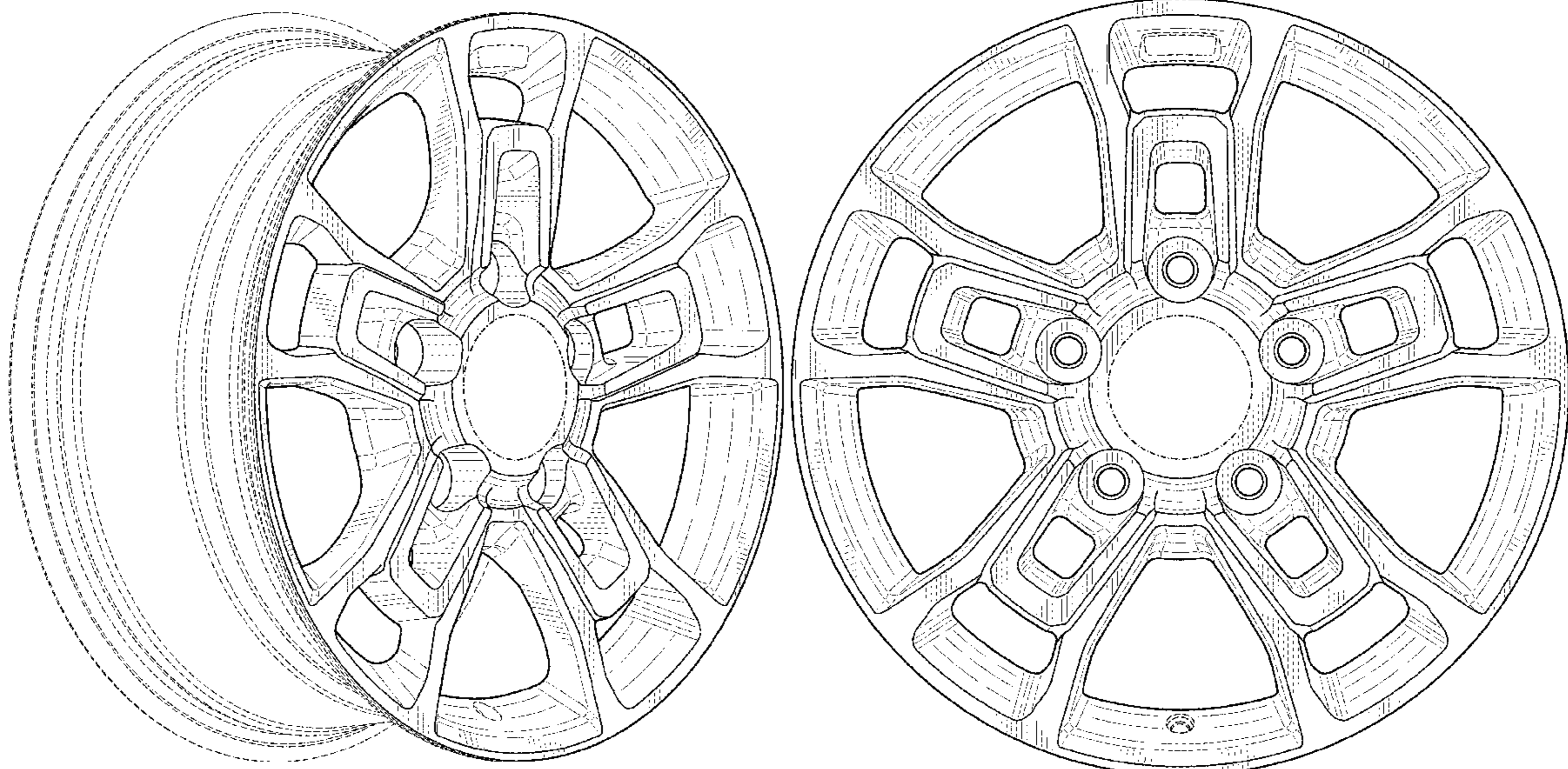
FIG. 5 is another side view thereof;

FIG. 6 is a top view thereof; and,

FIG. 7 is a bottom view thereof.

The broken lines represent portions of the structure that form no part of the claim. The dot-dashed lines represent boundary lines that form no part of the claim.

**1 Claim, 6 Drawing Sheets**



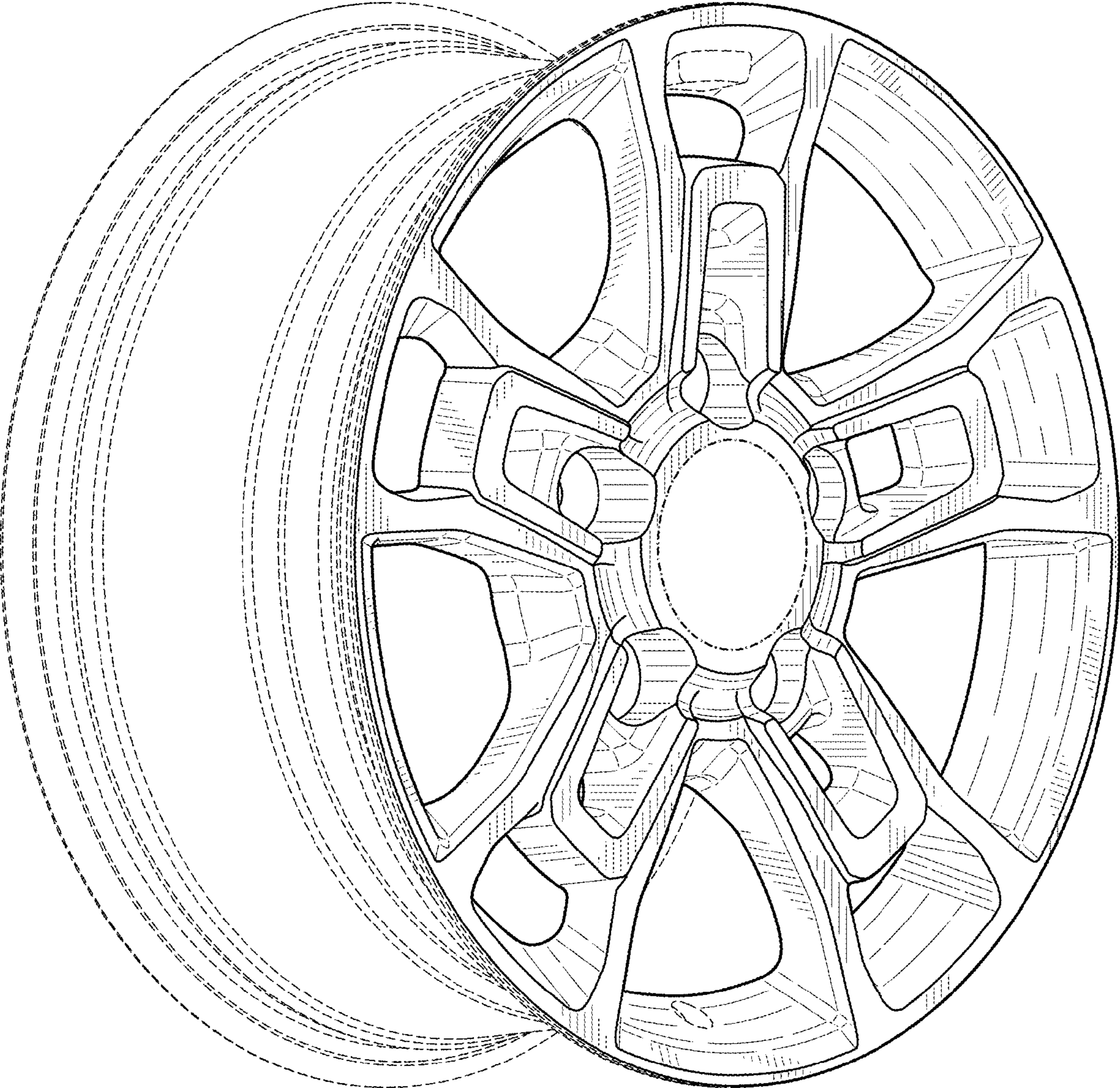


FIG. 1

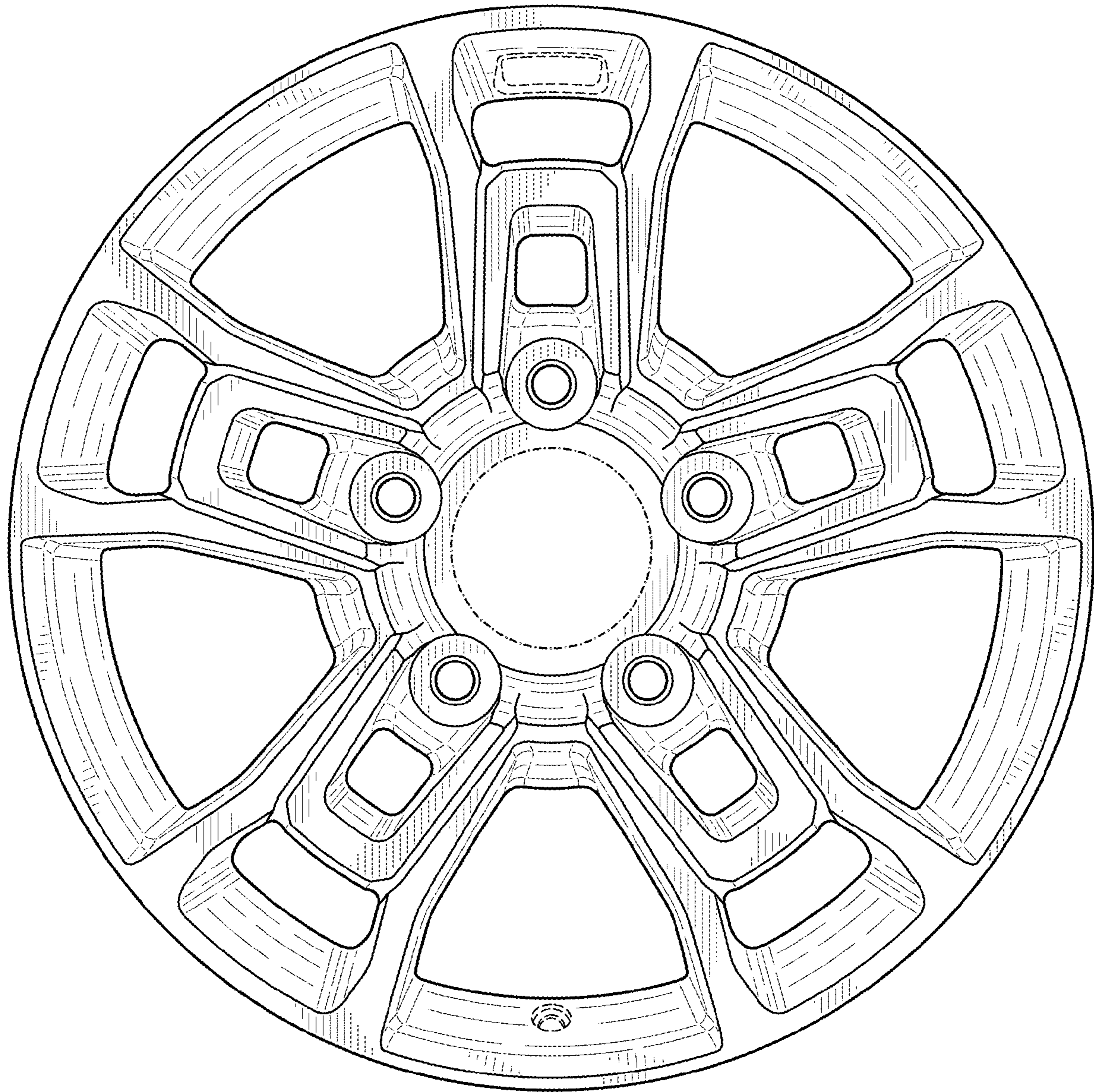


FIG. 2

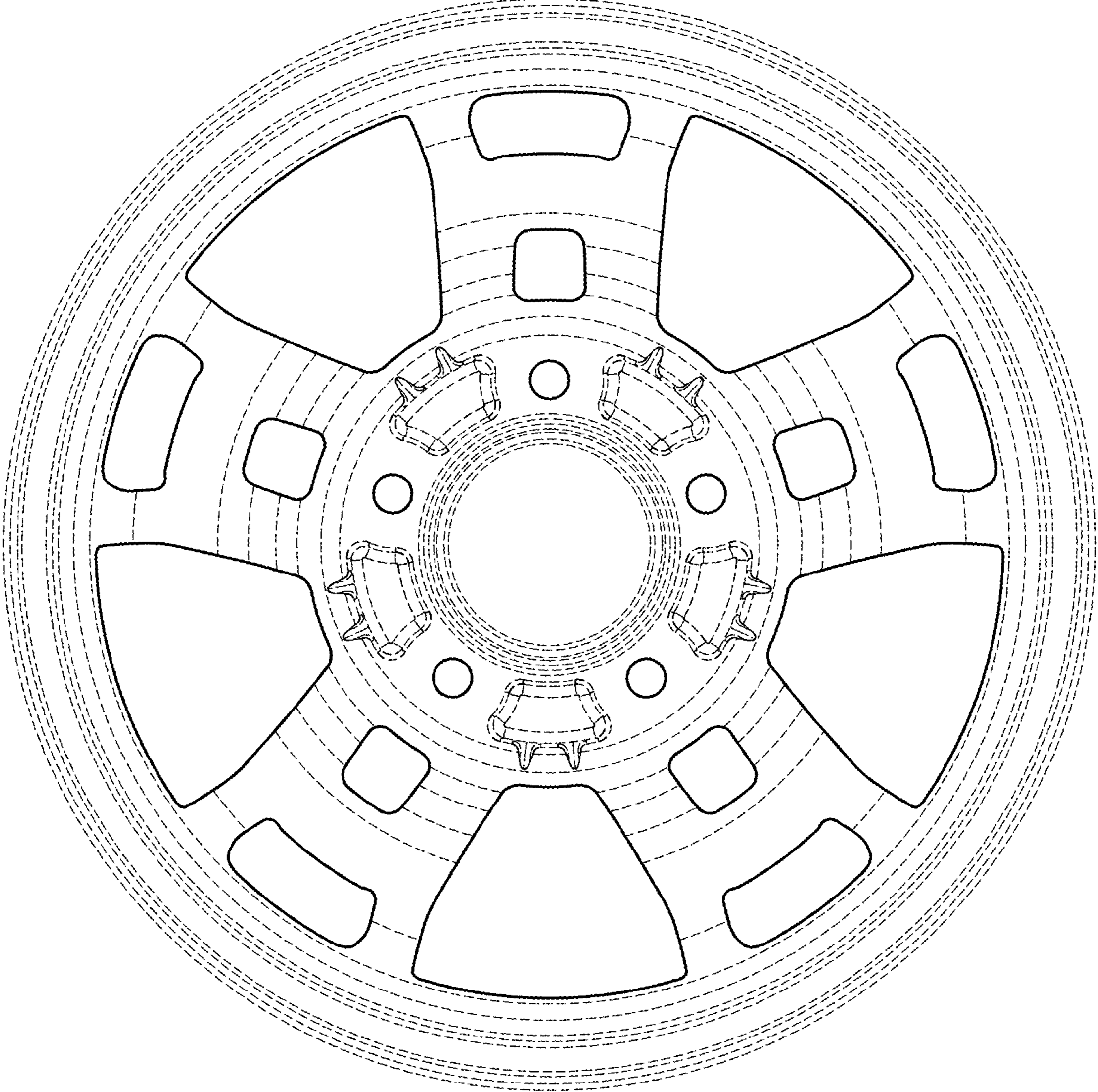


FIG. 3

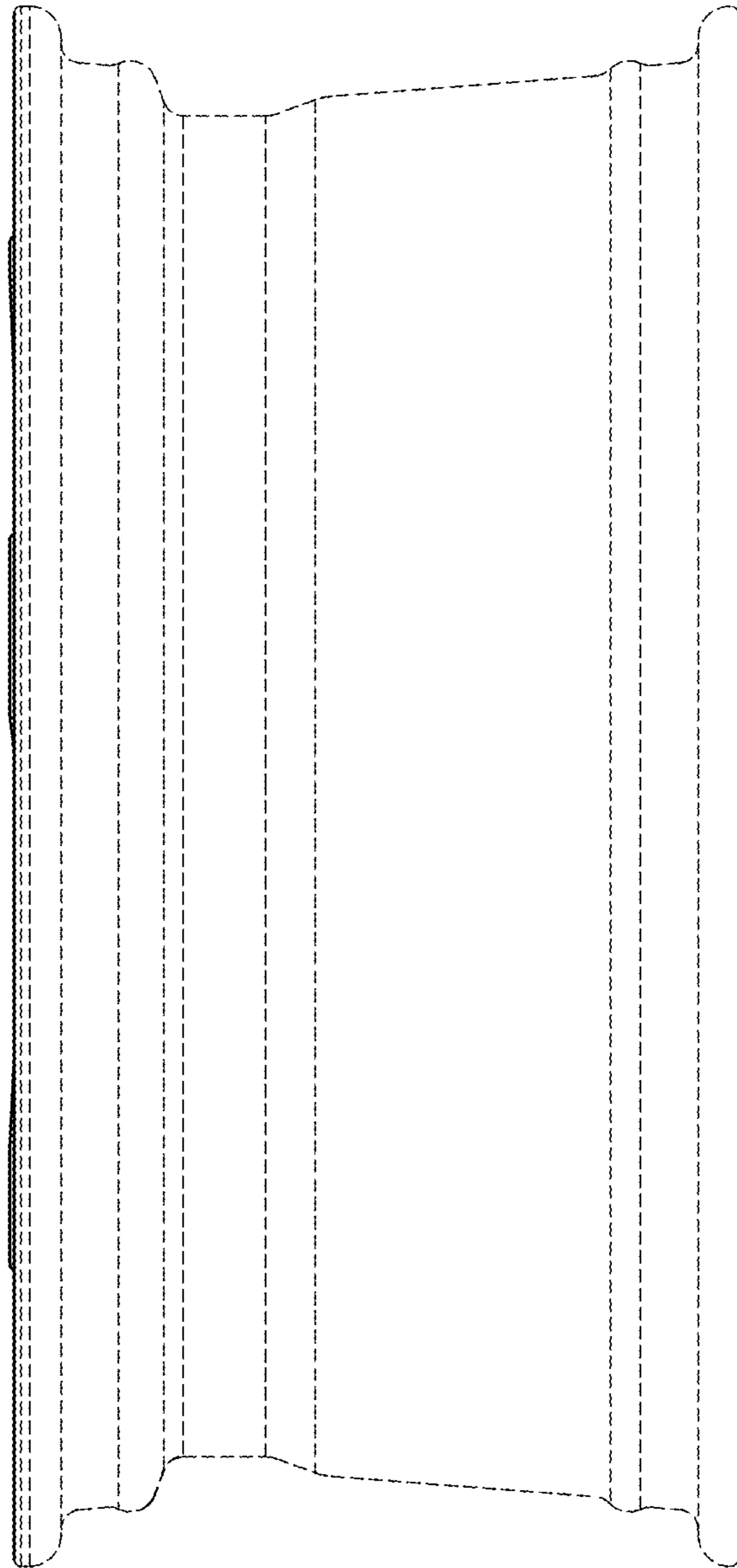


FIG. 4

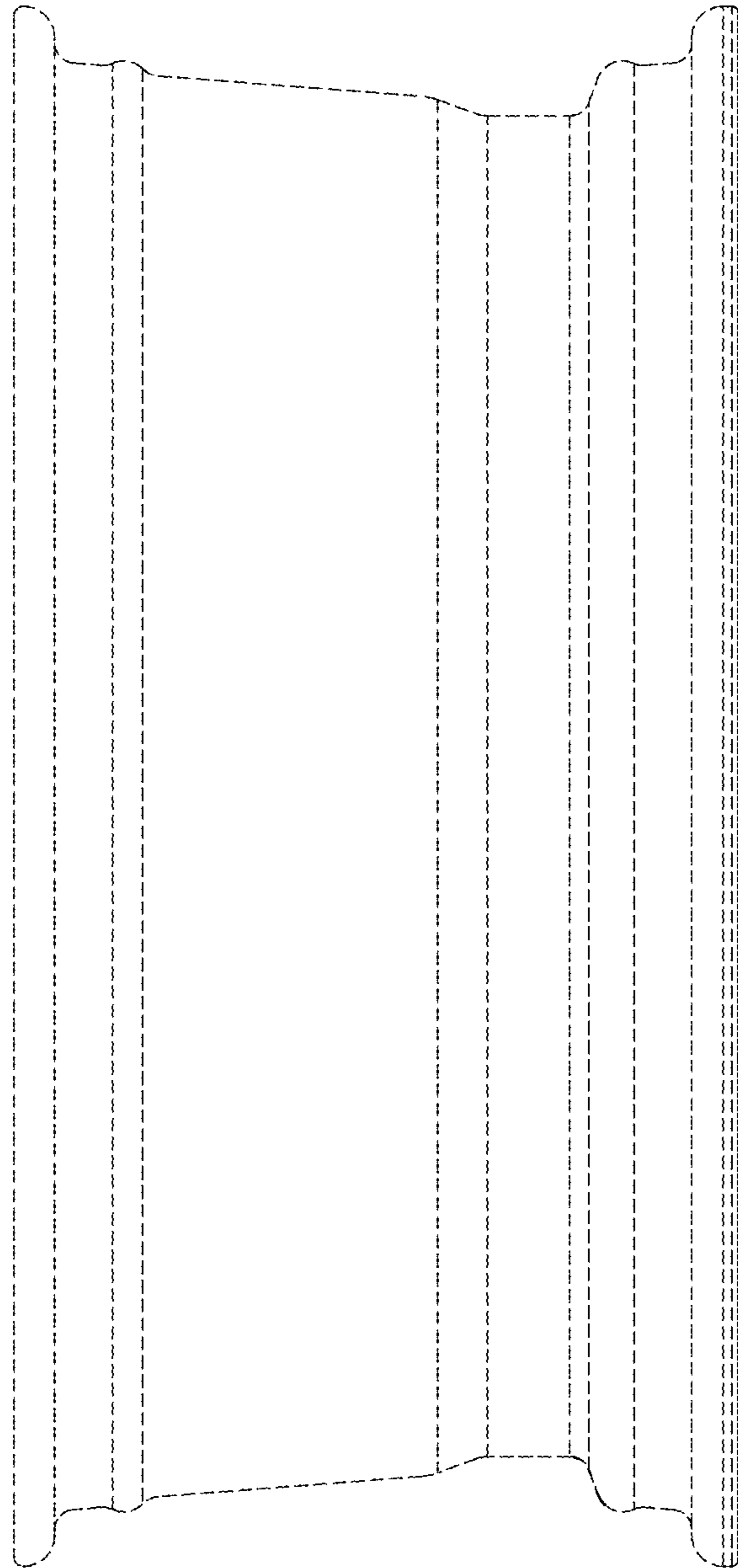


FIG. 5

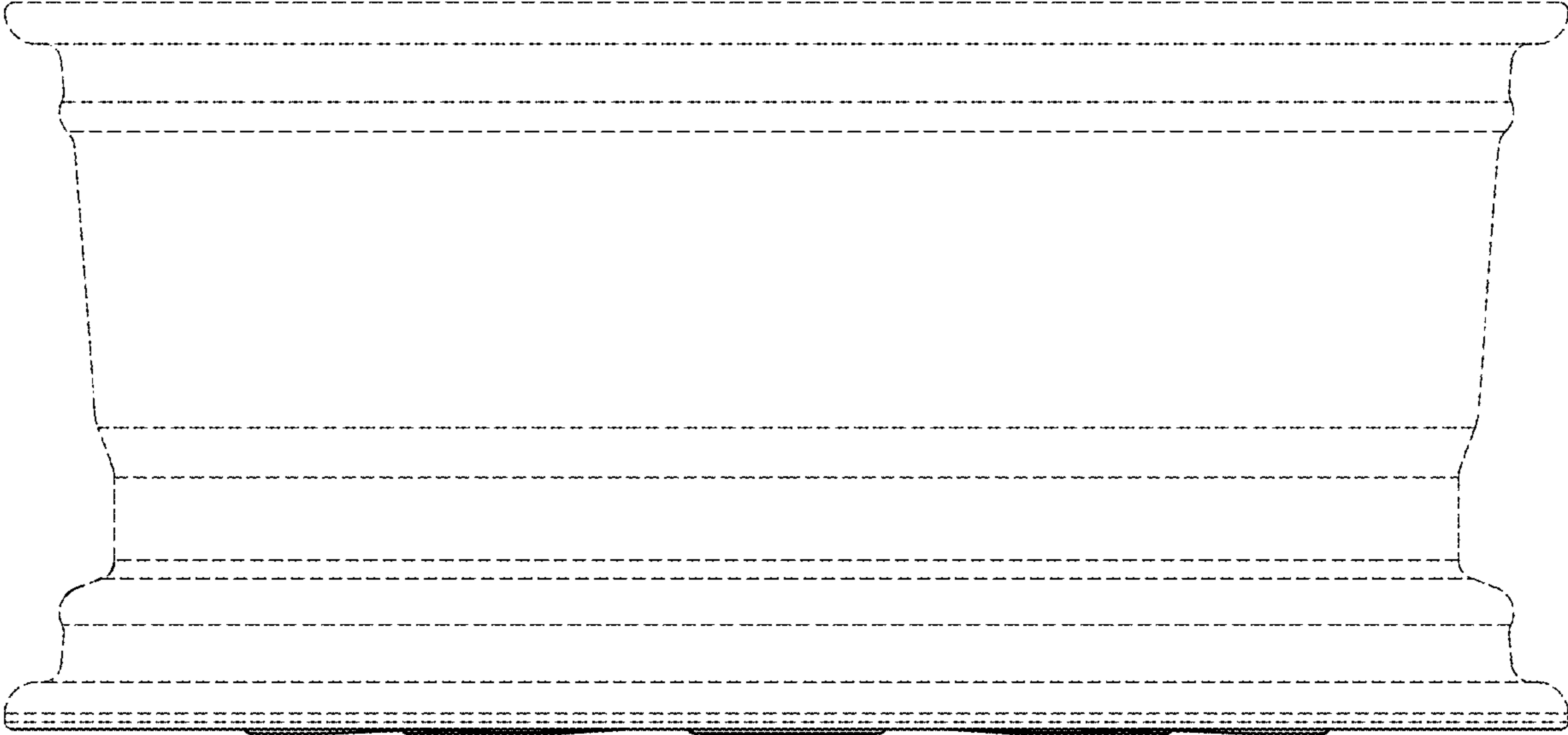


FIG. 6



FIG. 7