



US00D876308S

(12) **United States Design Patent** (10) **Patent No.:** **US D876,308 S**
O'Neill et al. (45) **Date of Patent:** **** Feb. 25, 2020**

(54) **WHEEL**

(71) Applicant: **Jaguar Land Rover Limited**, Whitley, Coventry (GB)

(72) Inventors: **Michael O'Neill**, Coventry (GB); **Alex Chan**, Coventry (GB); **Paven Patel**, Coventry (GB)

(73) Assignee: **Jaguar Land Rover Limited**, Whitley, Coventry (GB)

(**) Term: **15 Years**

(21) Appl. No.: **29/627,056**

(22) Filed: **Nov. 22, 2017**

Related U.S. Application Data

(62) Division of application No. 29/592,174, filed on Jan. 27, 2017, now Pat. No. Des. 814,380, which is a division of application No. 29/532,693, filed on Jul. 9, 2015, now Pat. No. Des. 781,205.

Foreign Application Priority Data

(30) Jul. 1, 2015 (EM) 002729764

(51) **LOC (12) Cl.** **12-16**

(52) **U.S. Cl.**
USPC **D12/209**

(58) **Field of Classification Search**
USPC D12/204–213
CPC B60B 7/00; B60B 7/02; B60B 7/04; B60B 7/01; B60B 7/06; B60B 3/02; B60B 3/04; B60B 3/06; B60B 3/10; B60B 1/00; B60B 1/08; B60B 1/10; B60B 1/12

See application file for complete search history.

(56) **References Cited**

U.S. PATENT DOCUMENTS

D522,949	S	*	6/2006	Elmitt	D12/211
D538,216	S	*	3/2007	Sycha	D12/209
D587,180	S	*	2/2009	Pfeiffer	D12/209
D645,391	S	*	9/2011	Weil	D12/209
D651,956	S	*	1/2012	Ectors	D12/209
D666,952	S	*	9/2012	Pollmann	D12/209
D670,632	S	*	11/2012	Schweizer	D12/211
D671,875	S	*	12/2012	Camacho	D12/209
D715,715	S	*	10/2014	Pollmann	D12/209
D734,701	S	*	7/2015	Mielke	D12/209
D744,396	S	*	12/2015	d'Orville	D12/209
D746,755	S	*	1/2016	Mielke	D12/211
D747,248	S	*	1/2016	Amezqueta	D12/209
D748,033	S	*	1/2016	Carter	D12/211
D753,572	S	*	4/2016	Juergens	D12/211
D756,879	S	*	5/2016	George	D12/211
D760,139	S	*	6/2016	Dionisopoulos	D12/209
D763,763	S	*	8/2016	Stone	D12/209
D765,003	S	*	8/2016	Toth	D12/211
D767,464	S	*	9/2016	Juergens	D12/209
D767,467	S	*	9/2016	Davidson	D12/211
D768,046	S	*	10/2016	Patel	D12/211
D772,134	S	*	11/2016	Vidojkovic	D12/211

(Continued)

Primary Examiner — Stacia A Cadmus

(74) *Attorney, Agent, or Firm* — Wood Herron & Evans LLP

(57) **CLAIM**

The ornamental design for a wheel, as shown and described.

DESCRIPTION

FIG. 1 is a front left perspective view of a wheel for a vehicle according to the present invention.

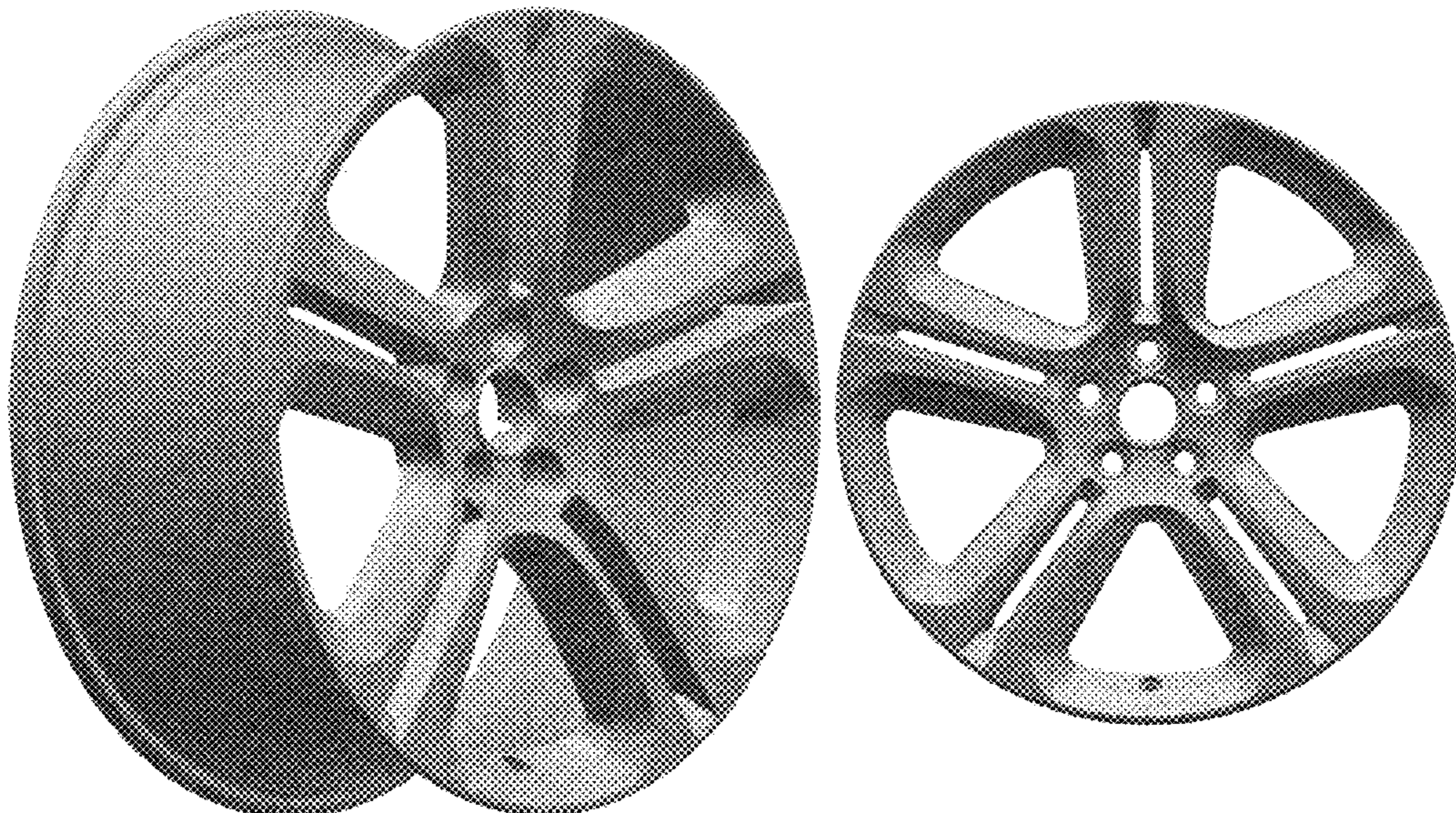
FIG. 2 is a front view of the wheel shown in FIG. 1.

FIG. 3 is a left side view thereof, the right side view being a mirror image thereof.

FIG. 4 is a rear view thereof; and,

FIG. 5 is a rear right perspective view thereof.

1 Claim, 3 Drawing Sheets



(56)

References Cited

U.S. PATENT DOCUMENTS

D786,765 S *	5/2017	Gardavsky	D12/209
D788,005 S *	5/2017	Peat	D12/211
D794,529 S *	8/2017	Valencia Pollex	D12/211
D801,901 S *	11/2017	Gardavsky	D12/209
D805,457 S *	12/2017	Setter	D12/211
D808,880 S *	1/2018	Valencia Pollex	D12/209
D814,382 S *	4/2018	Smith	D12/211
D815,004 S *	4/2018	Smith	D12/209
D823,221 S *	7/2018	Badstuebner	D12/209
D825,422 S *	8/2018	Bjerke	D12/209
D826,824 S *	8/2018	Platto	D12/209
D834,488 S *	11/2018	Smith	D12/209
D837,127 S *	1/2019	Liu	D12/209
D858,412 S *	9/2019	Daniel	D12/209

* cited by examiner



FIG. 1

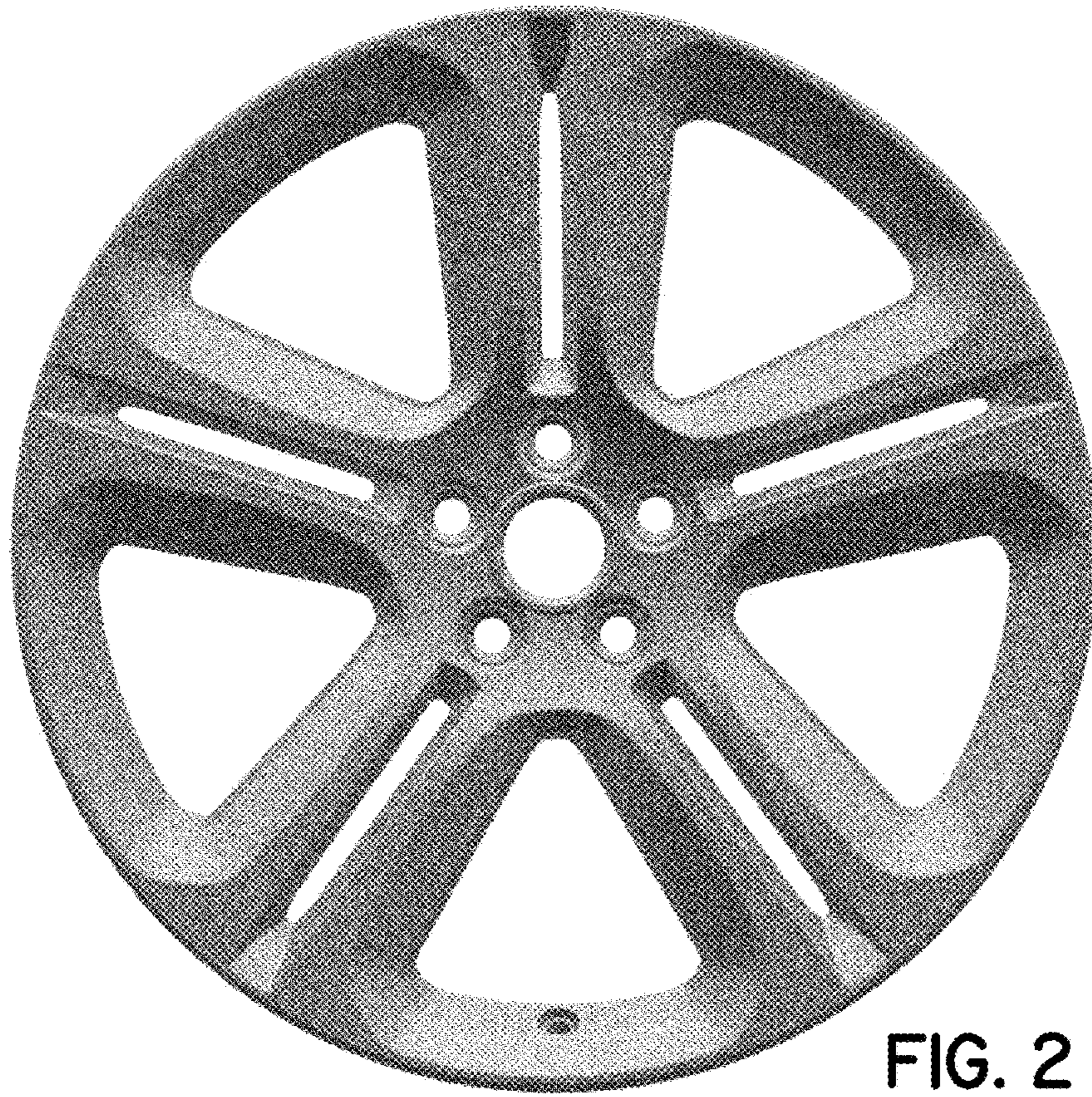


FIG. 2

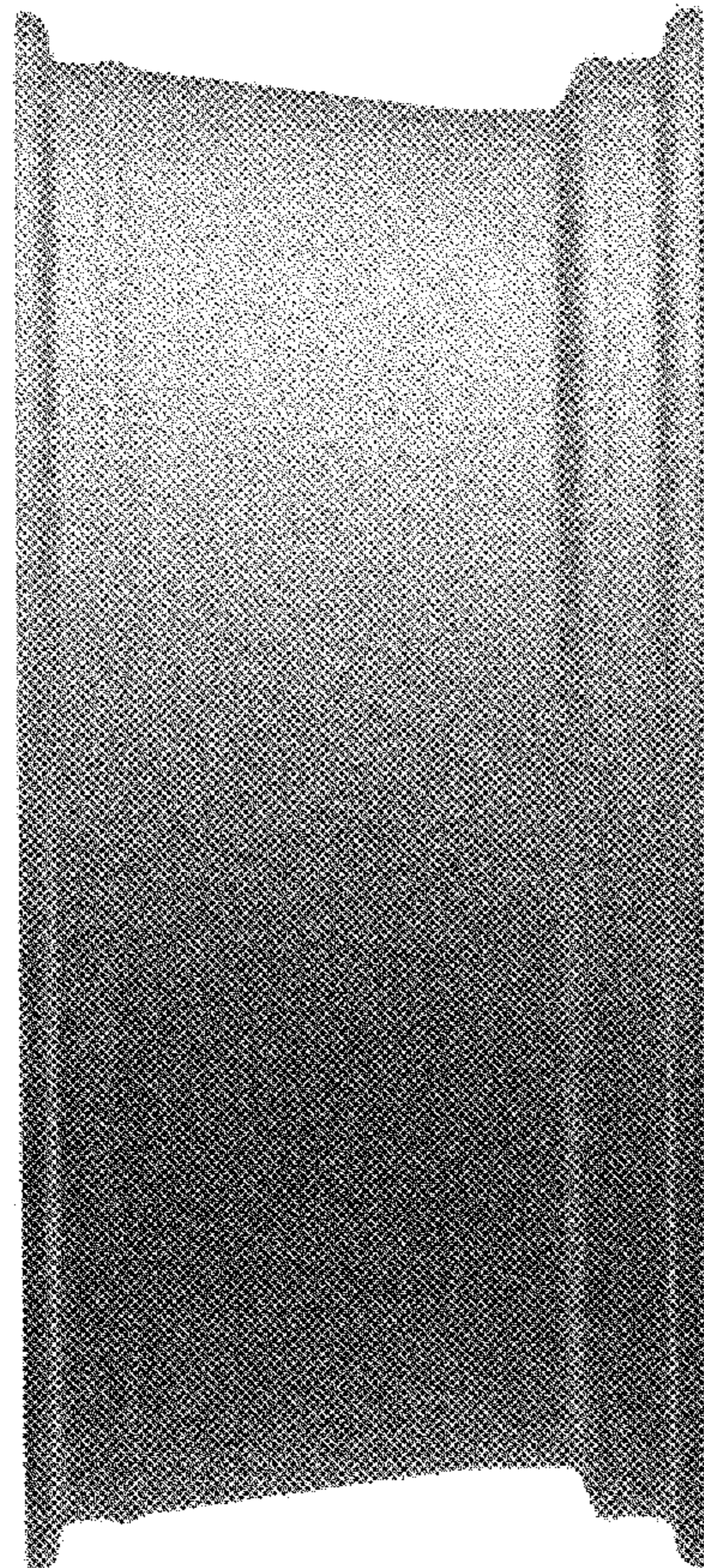


FIG. 3

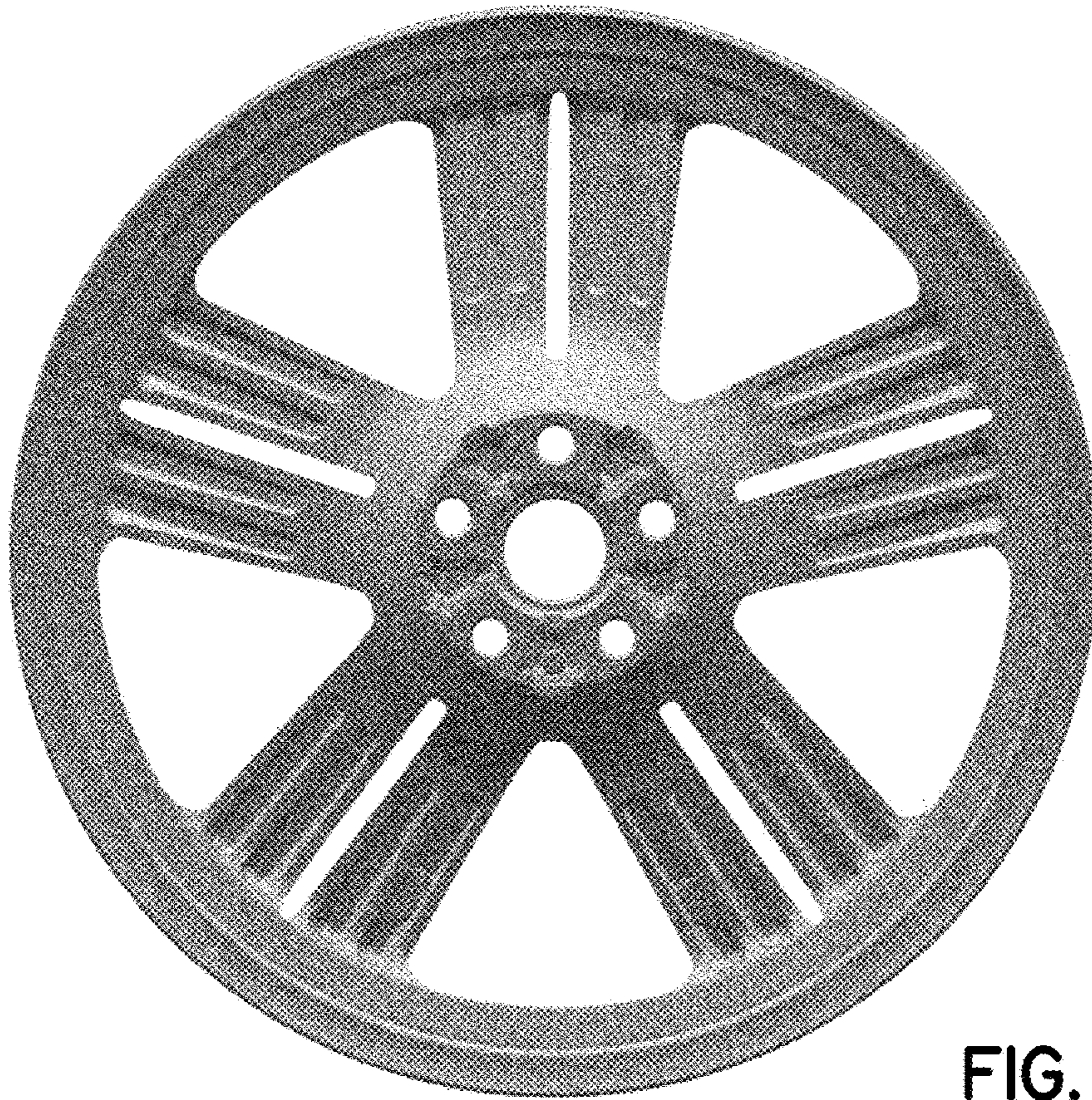


FIG. 4

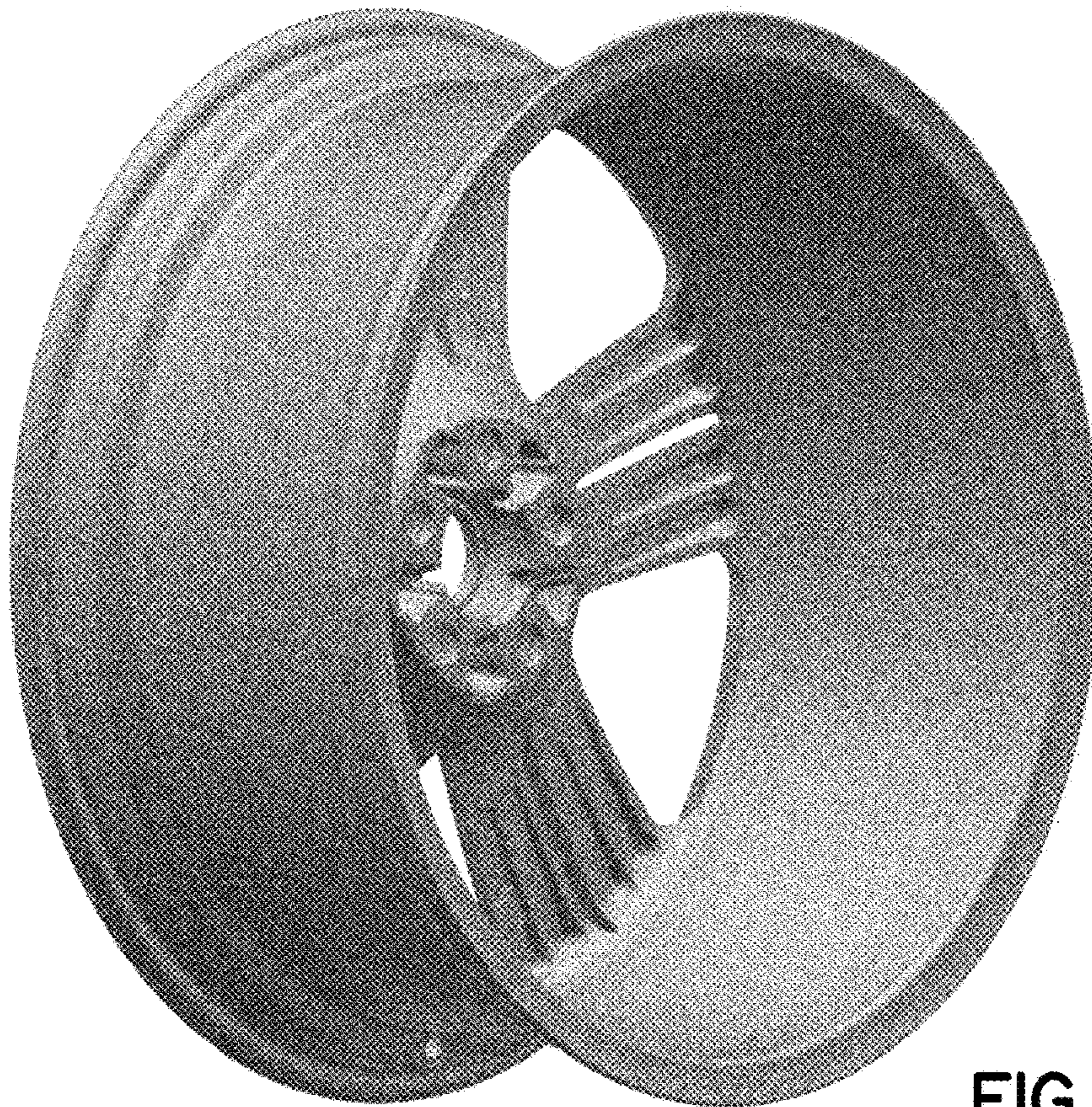


FIG. 5