



US00D876307S

(12) **United States Design Patent**
Setter et al.

(10) **Patent No.:** **US D876,307 S**

(45) **Date of Patent:** **** Feb. 25, 2020**

(54) **WHEEL**

(71) Applicant: **Jaguar Land Rover Limited**, Whitley,
Coventry (GB)

(72) Inventors: **Adam Setter**, Coventry (GB); **Alex Chan**, Coventry (GB)

(73) Assignee: **Jaguar Land Rover Limited**, Whitley,
Coventry (GB)

(**) Term: **15 Years**

(21) Appl. No.: **29/625,218**

(22) Filed: **Nov. 8, 2017**

Related U.S. Application Data

(62) Division of application No. 29/532,700, filed on Jul. 9, 2015, now Pat. No. Des. 805,457.

(30) **Foreign Application Priority Data**

Jul. 1, 2015 (EM) 002729749

(51) **LOC (12) Cl.** **12-16**

(52) **U.S. Cl.**
USPC **D12/209**

(58) **Field of Classification Search**
USPC D12/204–213
CPC B60B 7/00; B60B 7/02; B60B 7/04; B60B 7/01; B60B 7/06; B60B 3/02; B60B 3/04; B60B 3/06; B60B 3/10; B60B 1/00; B60B 1/08; B60B 1/10; B60B 1/12
See application file for complete search history.

(56) **References Cited**

U.S. PATENT DOCUMENTS

D351,582 S * 10/1994 Echazabel D12/209
D371,100 S * 6/1996 Hatter D12/209

D384,630 S * 10/1997 Bhambra D12/209
D445,749 S * 7/2001 Kuninari D12/209
D451,062 S * 11/2001 Yoshida D12/209
D499,058 S * 11/2004 Iwauchi D12/209
D504,096 S * 4/2005 Nakagawa D12/209
D584,208 S * 1/2009 Markefka D12/209
D608,712 S * 1/2010 Pollmann D12/209
D626,905 S * 11/2010 Camacho D12/209
D654,842 S * 2/2012 Blasi D12/209
D655,660 S * 3/2012 Stucki D12/209
D671,877 S * 12/2012 Roura D12/209
D682,176 S * 5/2013 Badstuebner D12/209
D684,516 S * 6/2013 Bennion D12/209
D740,191 S * 10/2015 Webber D12/209
D740,197 S * 10/2015 Valencia Pollex D12/209
D747,256 S * 1/2016 Johnson D12/211
D751,016 S * 3/2016 Valencia Pollex D12/209
D781,762 S * 3/2017 Setter D12/209
D791,033 S * 7/2017 Peat D12/209
D793,321 S * 8/2017 Valencia Pollex D12/209
D795,778 S * 8/2017 Valencia Pollex D12/211
D796,408 S * 9/2017 Valencia Pollex D12/209
D807,269 S * 1/2018 Peat D12/209
D827,545 S * 9/2018 Kawaguchi D12/209

(Continued)

Primary Examiner — Stacia A Cadmus

(74) *Attorney, Agent, or Firm* — Wood Herron & Evans LLP

(57) **CLAIM**

The ornamental design for a wheel, as shown and described.

DESCRIPTION

FIG. 1 is a front left perspective view of a wheel for a vehicle according to the present invention.

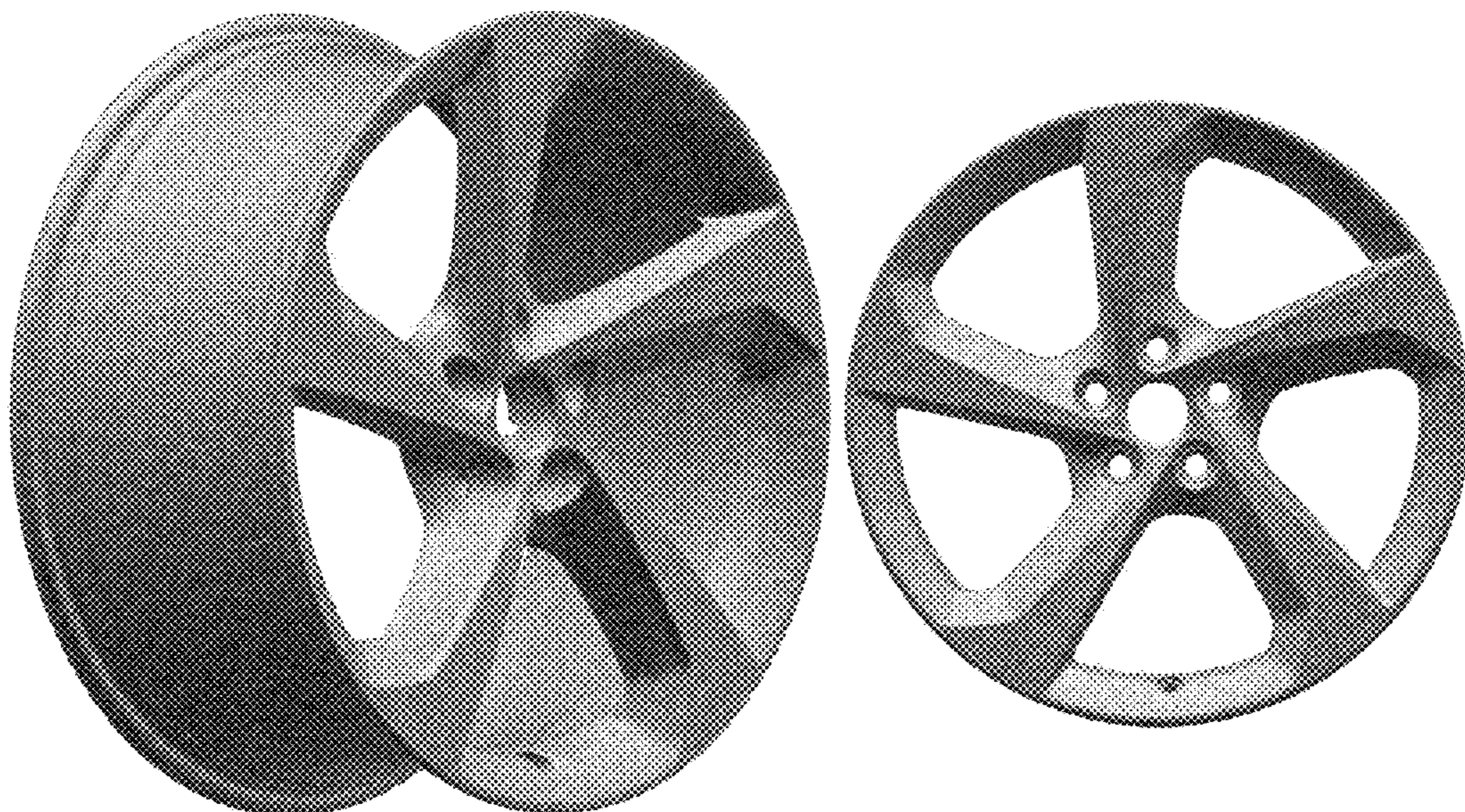
FIG. 2 is a front view of the wheel shown in FIG. 1.

FIG. 3 is a left side view thereof, the right side being a mirror image thereof.

FIG. 4 is a rear view thereof; and,

FIG. 5 is a rear right perspective view thereof.

1 Claim, 3 Drawing Sheets



(56)

References Cited

U.S. PATENT DOCUMENTS

D832,179 S	*	10/2018	Behmer	D12/211
D842,194 S	*	3/2019	Han	D12/209
D843,912 S	*	3/2019	Metros	D12/209
D857,599 S	*	8/2019	Trim	D12/211
D859,266 S	*	9/2019	Valencia Pollex	D12/209

* cited by examiner



FIG. 1

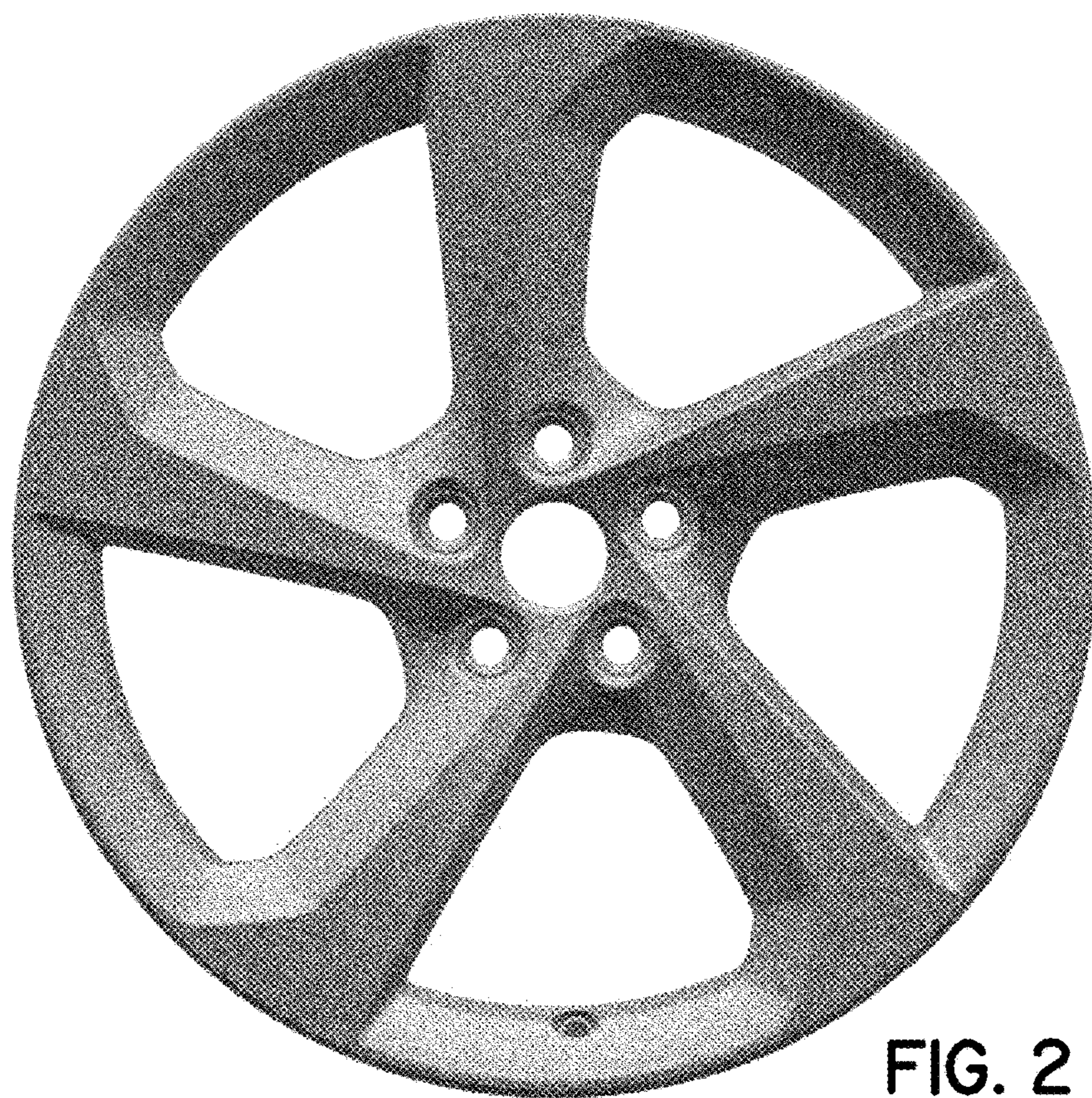


FIG. 2

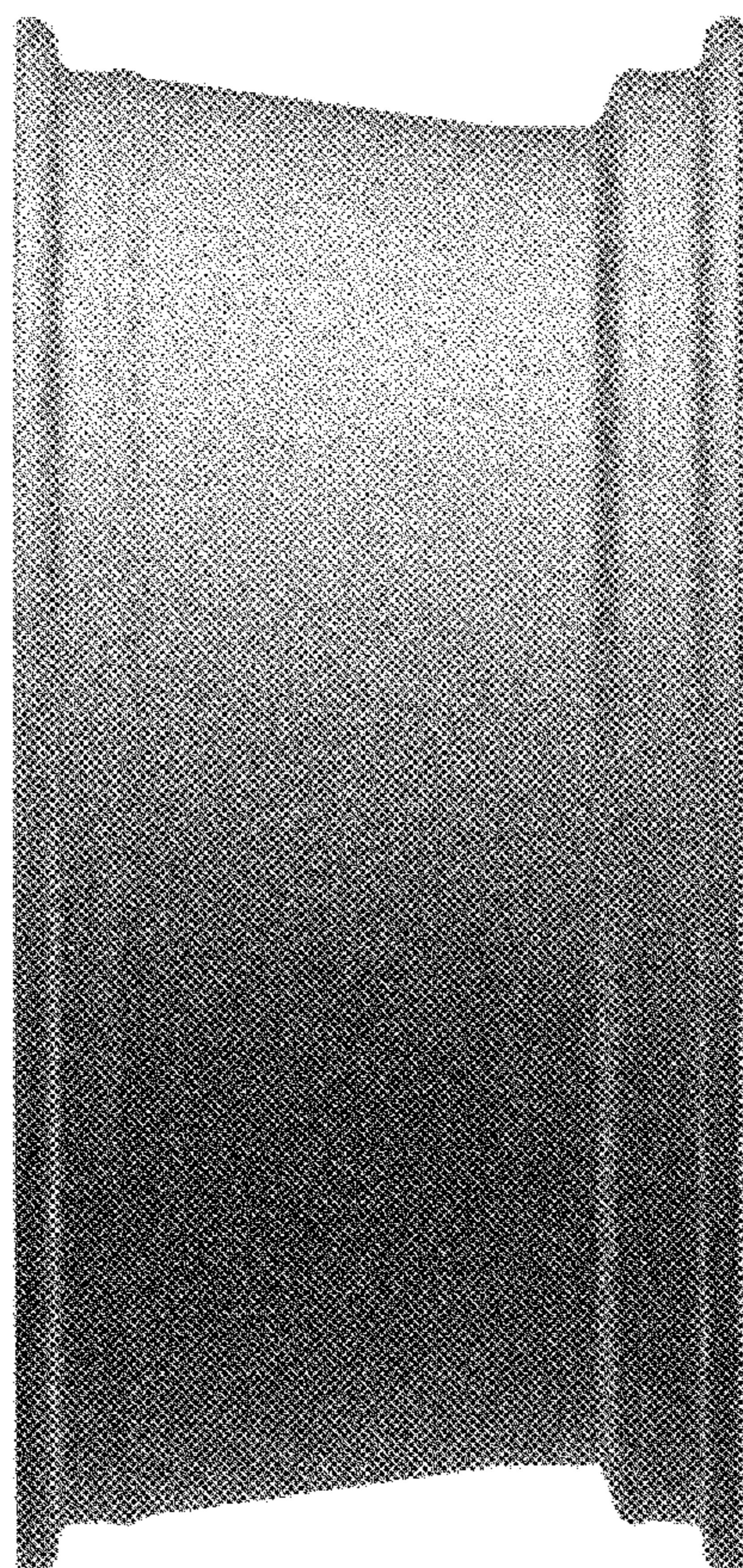


FIG. 3

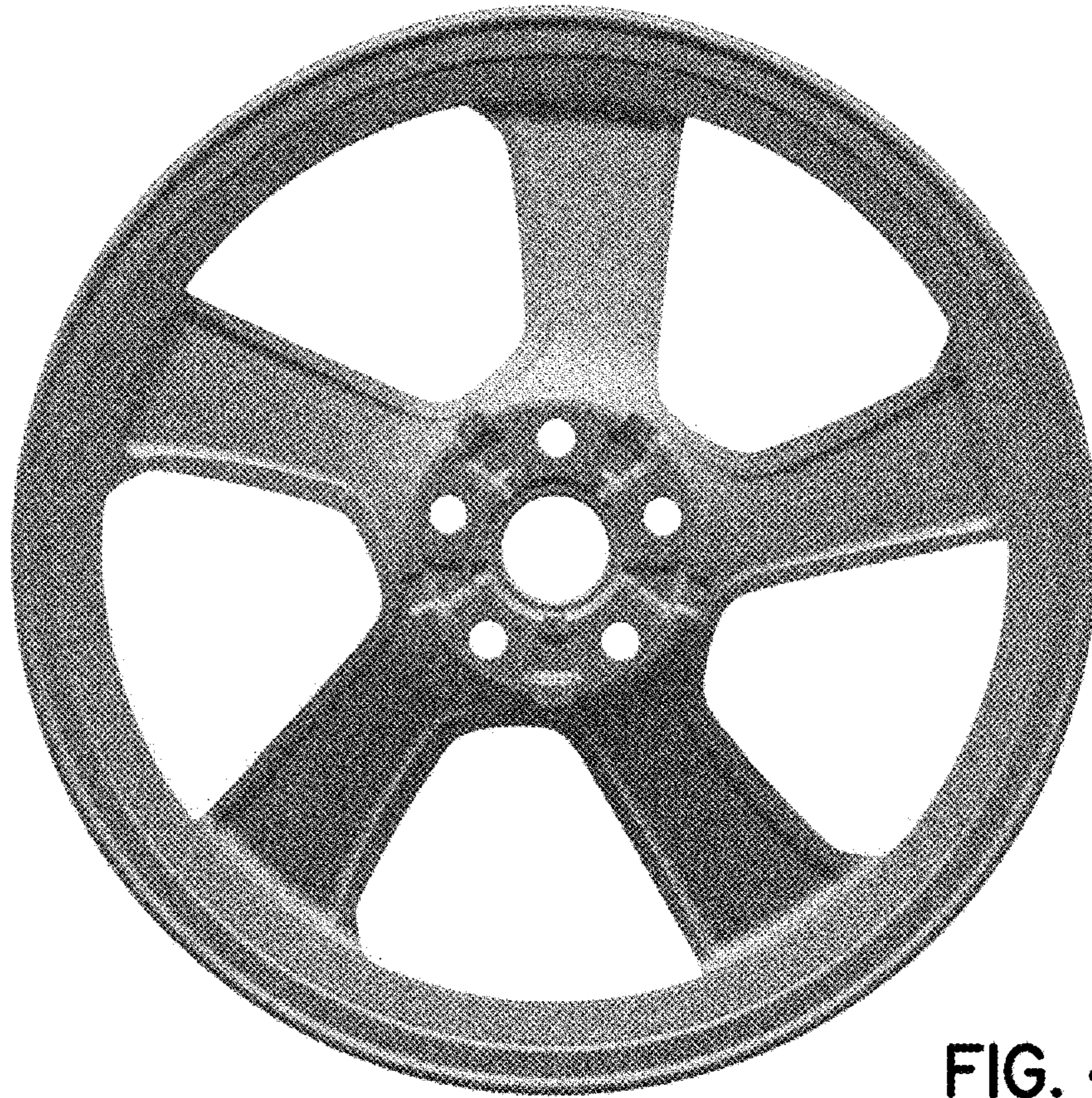


FIG. 4



FIG. 5