



US00D876306S

(12) **United States Design Patent**
Battams

(10) **Patent No.:** **US D876,306 S**

(45) **Date of Patent:** **** *Feb. 25, 2020**

(54) **WHEEL**

(71) Applicant: **Jaguar Land Rover Limited**, Whitley, Coventry (GB)

(72) Inventor: **Robert Battams**, Whitley (GB)

(73) Assignee: **Jaguar Land Rover Limited**, Whitley, Coventry (GB)

(*) Notice: This patent is subject to a terminal disclaimer.

(**) Term: **15 Years**

(21) Appl. No.: **29/622,449**

(22) Filed: **Oct. 17, 2017**

(30) **Foreign Application Priority Data**

Apr. 21, 2017 (EM) 003867100

(51) **LOC (12) Cl.** **12-16**

(52) **U.S. Cl.**
USPC **D12/209**

(58) **Field of Classification Search**
USPC D12/204-213
CPC B60B 7/00; B60B 7/02; B60B 7/04; B60B 7/01; B60B 7/06; B60B 3/02; B60B 3/04; B60B 3/06; B60B 3/10; B60B 1/00; B60B 1/08; B60B 1/10; B60B 1/12
See application file for complete search history.

(56) **References Cited**

U.S. PATENT DOCUMENTS

D685,709 S *	7/2013	Hanaoka	D12/209
D695,187 S *	12/2013	Mielke	D12/209
D754,047 S *	4/2016	Frascella	D12/209
D780,083 S *	2/2017	Wheel	D12/209
D805,989 S *	12/2017	Grewer	D12/209
D813,138 S *	3/2018	Chung	D12/211
D813,139 S *	3/2018	Chung	D12/211
D819,535 S *	6/2018	Austin	D12/209
D836,524 S *	12/2018	Austin	D12/209

* cited by examiner

Primary Examiner — Stacia A Cadmus

(74) *Attorney, Agent, or Firm* — Wood Herron & Evans LLP

(57) **CLAIM**

The ornamental design for a wheel, as shown and described.

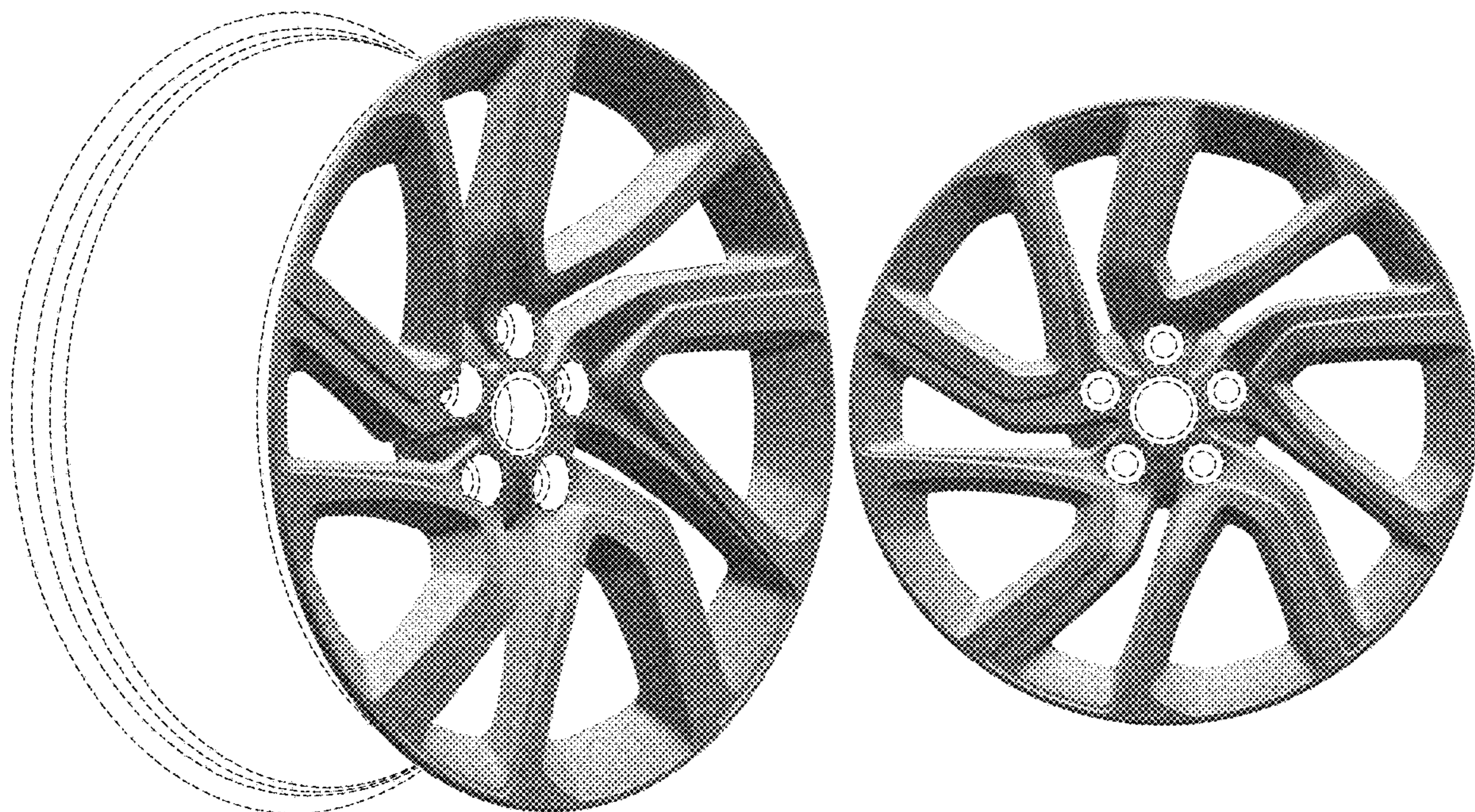
DESCRIPTION

FIG. 1 is a front left perspective view of a wheel for a vehicle according to the present invention.

FIG. 2 is a front view of the wheel shown in FIG. 1; and, FIG. 3 is a side left view thereof, the right side being a mirror image thereof.

In FIGS. 1-3, the broken line showing of the rear of the rim, the bolt holes, and the center hole in the central hub area is included for the purpose of illustrating environment and forms no part of the claimed design.

1 Claim, 2 Drawing Sheets



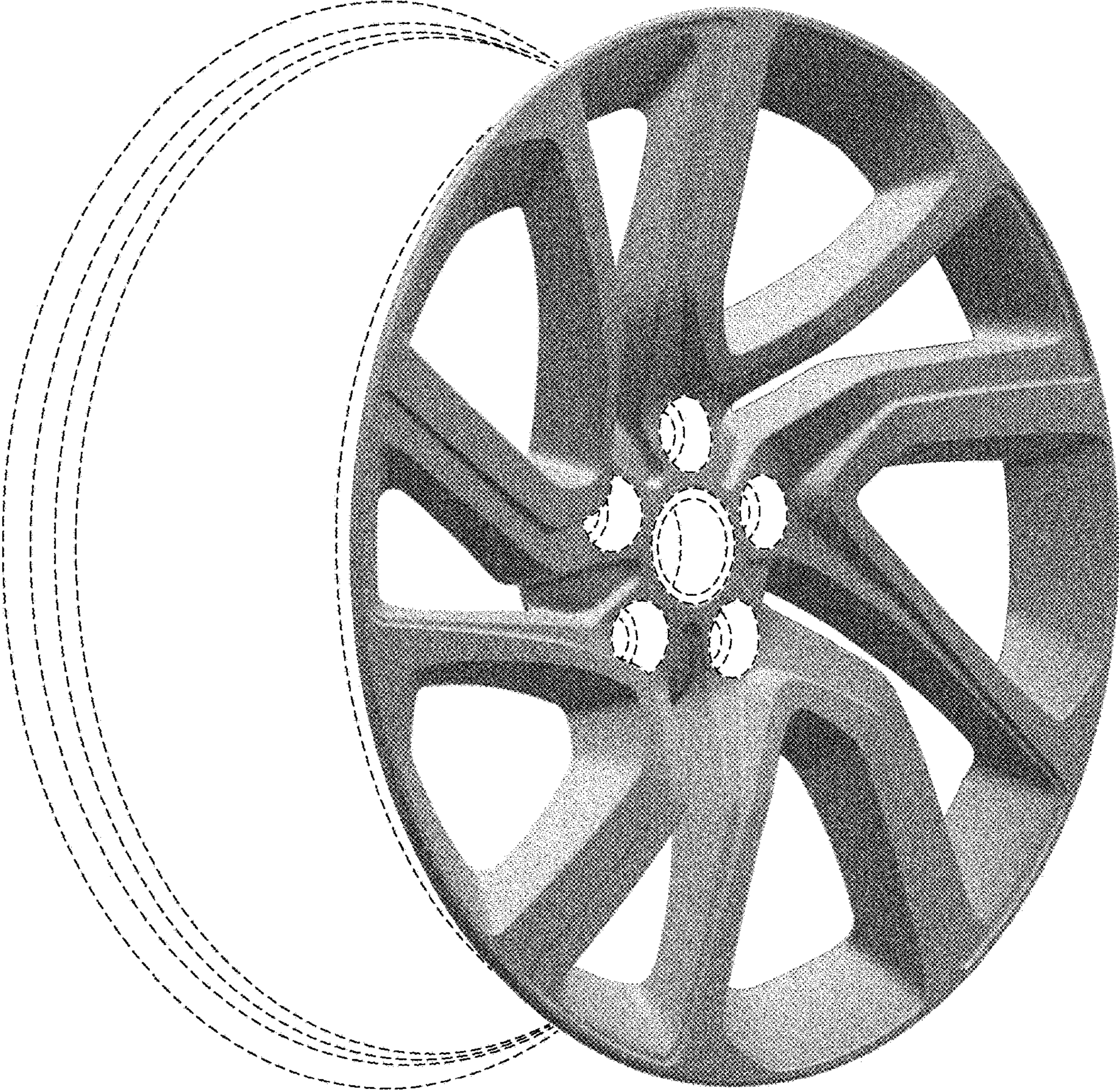


FIG. 1

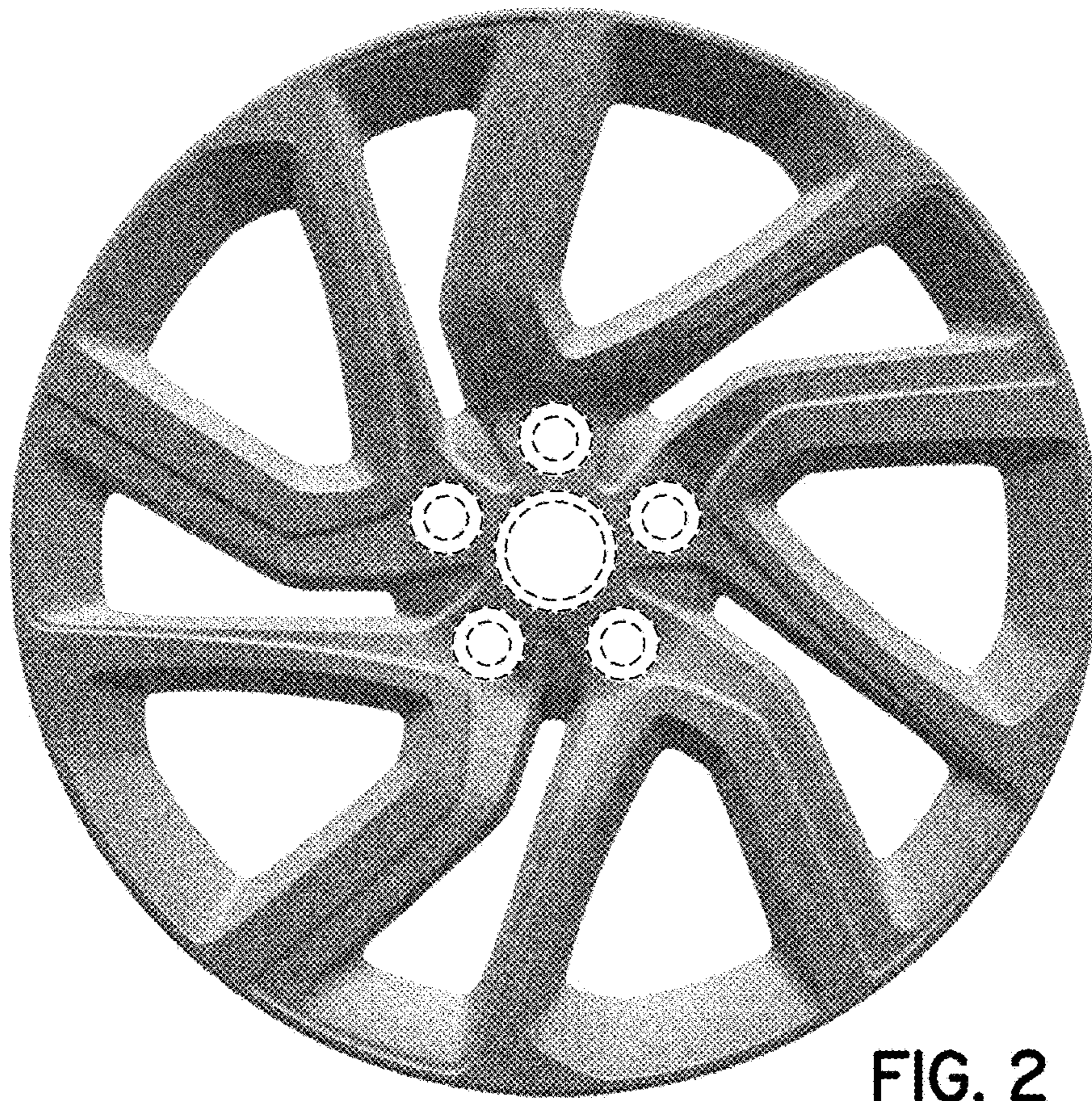


FIG. 2

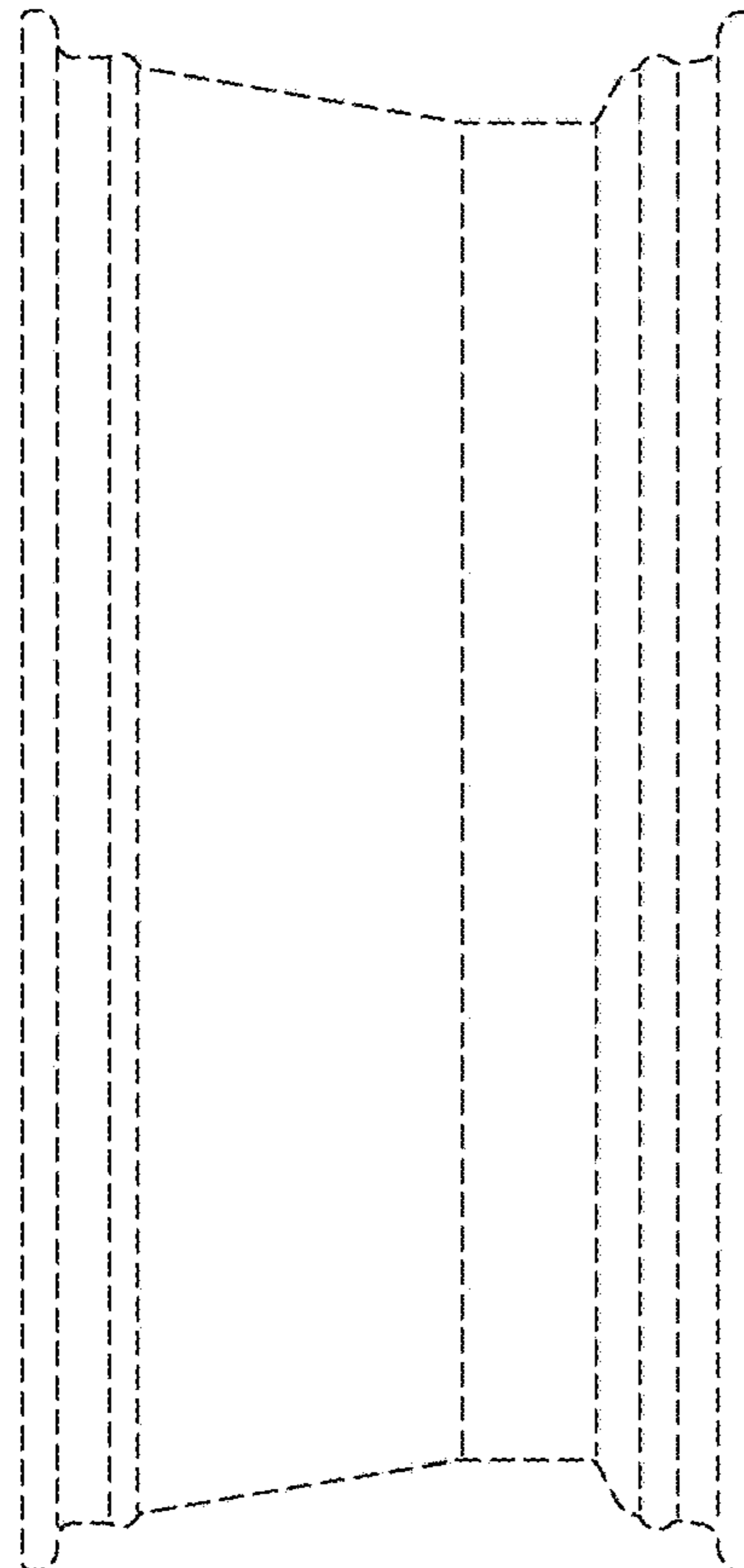


FIG. 3

UNITED STATES PATENT AND TRADEMARK OFFICE
CERTIFICATE OF CORRECTION

PATENT NO. : D876,306 S
APPLICATION NO. : 29/622449
DATED : February 25, 2020
INVENTOR(S) : Robert Battams

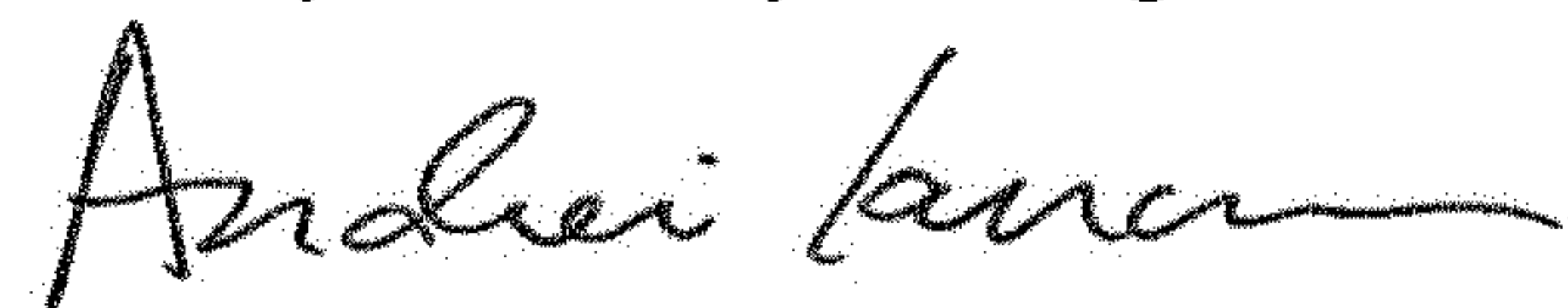
Page 1 of 1

It is certified that error appears in the above-identified patent and that said Letters Patent is hereby corrected as shown below:

On the Title Page

Column 2, "Description", Line 4, reads "FIG. 3 is a side left view thereof" and should read --FIG. 3 is a left side view thereof--.

Signed and Sealed this
Twenty-fifth Day of August, 2020



Andrei Iancu
Director of the United States Patent and Trademark Office