



US00D876305S

(12) **United States Design Patent**  
**Lee**

(10) **Patent No.:** **US D876,305 S**

(45) **Date of Patent:** **\*\* \*Feb. 25, 2020**

(54) **AUTOMOTIVE WHEEL**

(71) Applicant: **Kevin Lee**, Yorba Linda, CA (US)

(72) Inventor: **Kevin Lee**, Yorba Linda, CA (US)

(73) Assignee: **MKW ALLOY, INC.**, City of Industry, CA (US)

(\*) Notice: This patent is subject to a terminal disclaimer.

(\*\*) Term: **15 Years**

(21) Appl. No.: **29/548,502**

(22) Filed: **Dec. 14, 2015**

(51) **LOC (12) Cl.** ..... **12-16**

(52) **U.S. Cl.**  
USPC ..... **D12/209**

(58) **Field of Classification Search**  
USPC ..... D12/204–213; D21/563  
CPC .... B60B 7/00; B60B 7/02; B60B 7/04; B60B 7/01; B60B 7/06; B60B 3/02; B60B 3/04; B60B 3/06; B60B 3/10; B60B 1/00; B60B 1/08; B60B 1/10; B60B 1/12  
See application file for complete search history.

(56) **References Cited**

**U.S. PATENT DOCUMENTS**

D528,061 S \* 9/2006 Saridakis ..... D12/211  
D592,119 S \* 5/2009 Heizmann ..... D12/211

D706,197 S \* 6/2014 Chung ..... D12/211  
D732,449 S \* 6/2015 Grake ..... D12/209  
D753,573 S \* 4/2016 Watkin ..... D12/211  
D755,693 S \* 5/2016 Lee ..... D12/209  
D758,279 S \* 6/2016 Platto ..... D12/211  
D792,312 S \* 7/2017 Wilson ..... D12/211  
D805,991 S \* 12/2017 Platto ..... D12/209  
D830,266 S \* 10/2018 Lickliter ..... D12/209  
D849,658 S \* 5/2019 Lickliter ..... D12/211  
D857,583 S \* 8/2019 Harriton ..... D12/209  
D862,341 S \* 10/2019 Kong ..... D12/208

\* cited by examiner

*Primary Examiner* — Stacia A Cadmus

(74) *Attorney, Agent, or Firm* — Ahn IP Law; James W. Ahn

(57) **CLAIM**

The ornamental design for an automotive wheel, as shown and described.

**DESCRIPTION**

FIG. 1 is a front elevation view of the automotive wheel of the instant invention; and,  
FIG. 2 is a perspective view of the automotive wheel of the instant invention.

**1 Claim, 2 Drawing Sheets**

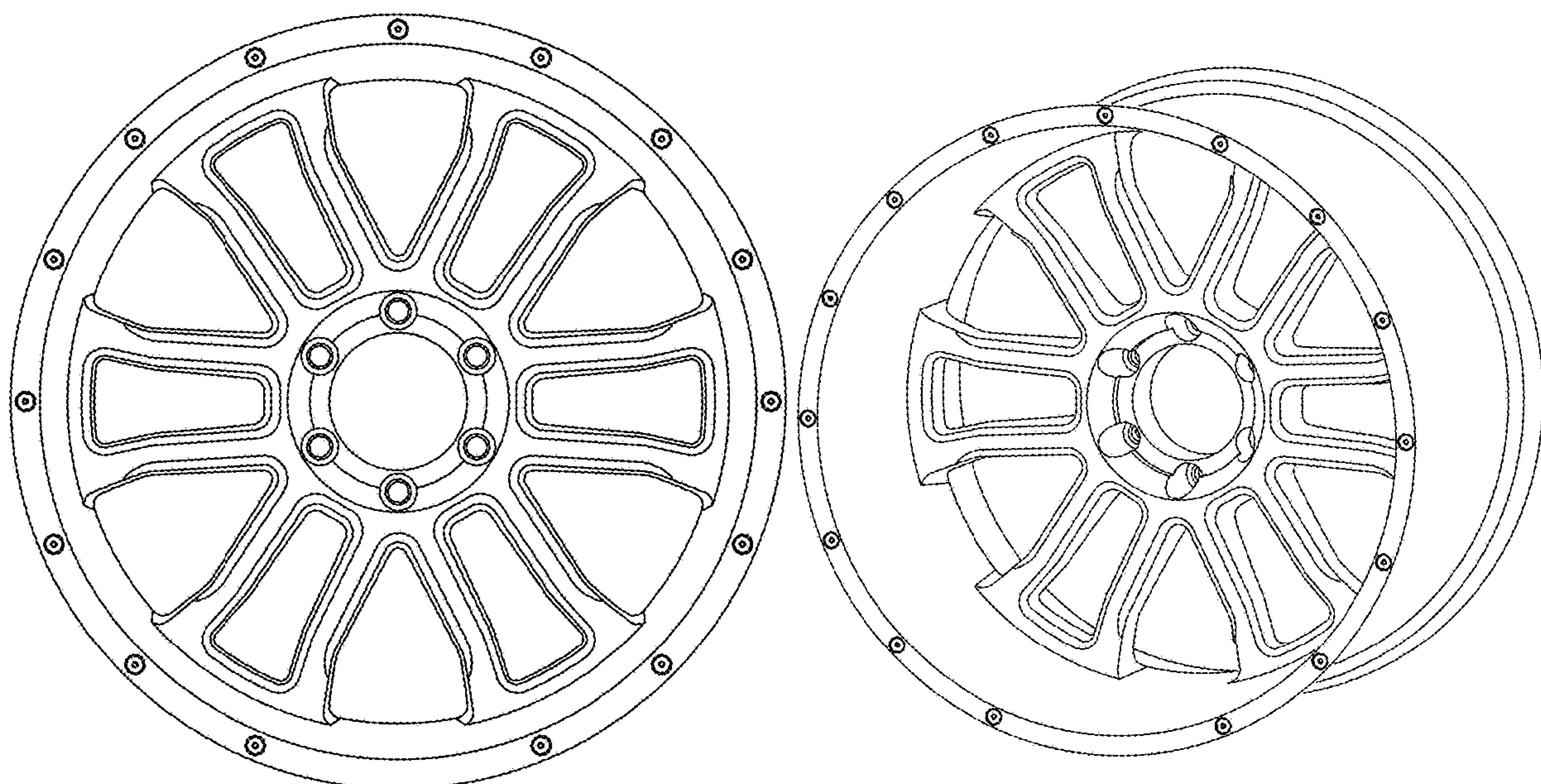


FIGURE 1

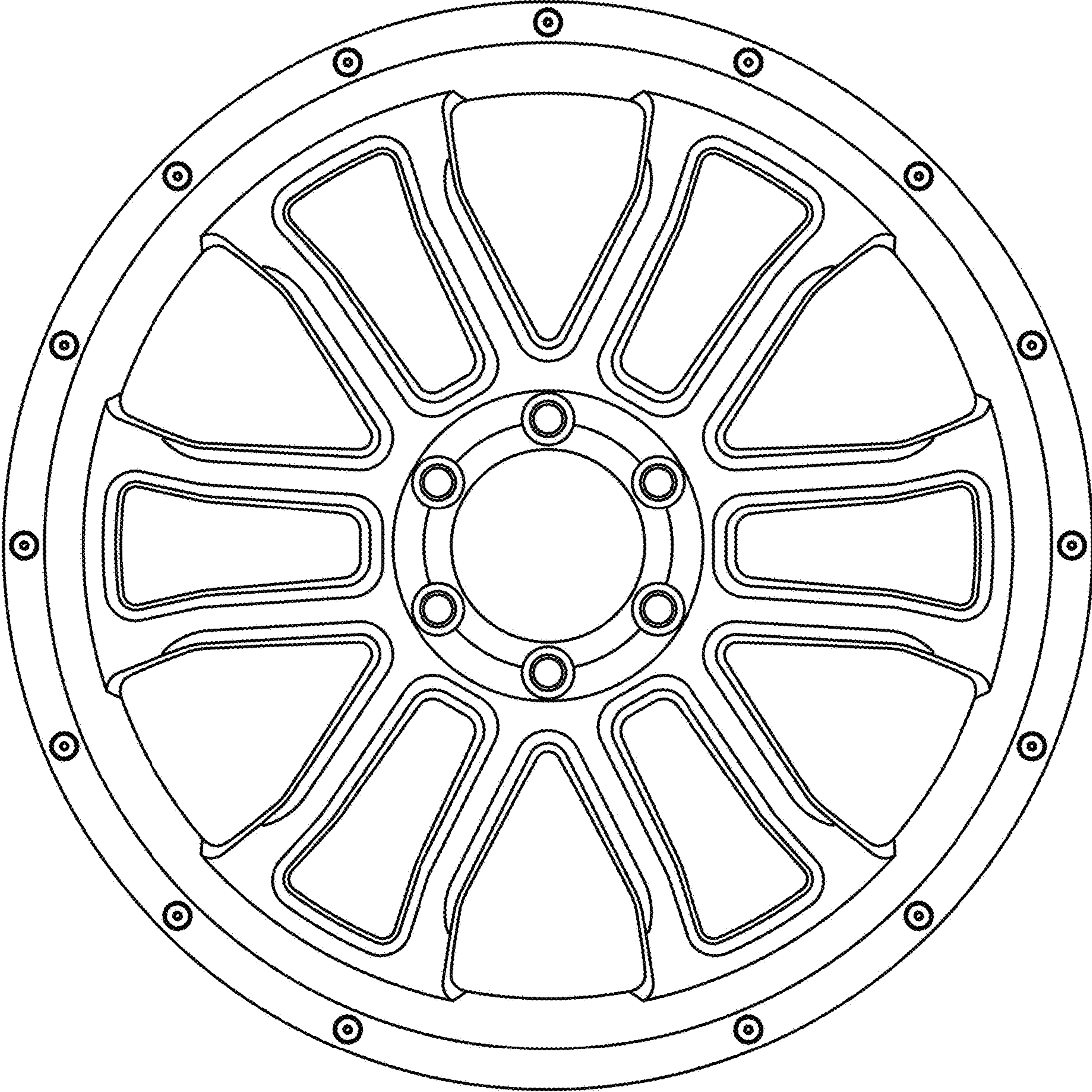




FIGURE 2

