



US00D876299S

(12) **United States Design Patent** (10) **Patent No.:** **US D876,299 S**  
**Sunde et al.** (45) **Date of Patent:** **\*\* Feb. 25, 2020**

(54) **VENTED BRAKE CYLINDER**  
(71) Applicant: **Amsted Rail Company, Inc.**, Chicago, IL (US)  
(72) Inventors: **Jonathan Sunde**, Somerset, NJ (US); **Paul P. Sopt**, Taylors, SC (US)  
(73) Assignee: **AMSTED RAIL COMPANY, INC.**, Chicago, IL (US)

D705,064 S \* 5/2014 Sy ..... D11/154  
D719,414 S \* 12/2014 Hester ..... D7/700  
D723,144 S \* 2/2015 Rejkowski ..... D23/324  
D738,169 S \* 9/2015 Weisenbach ..... D7/700  
D760,537 S \* 7/2016 Hertaus ..... D7/400  
D764,864 S \* 8/2016 Hertaus ..... D7/400  
D794,522 S \* 8/2017 Rejkowski ..... D12/192  
D800,497 S \* 10/2017 Fedorak ..... D7/397  
D847,564 S \* 5/2019 Best ..... D7/400  
D850,850 S \* 6/2019 Vargo ..... D7/400

(\*\*) Term: **15 Years**  
(21) Appl. No.: **29/635,831**  
(22) Filed: **Feb. 2, 2018**  
(51) **LOC (12) Cl.** ..... **12-16**  
(52) **U.S. Cl.**  
USPC ..... **D12/180**  
(58) **Field of Classification Search**  
USPC ..... D12/400, 415, 162, 174-177, 179, 180,  
D12/181, 190-192, 196, 218; D15/150;  
D7/400, 700, 667  
CPC .. B60T 17/00; B60D 1/01; B60D 1/14; B60R  
25/02105; B60R 2011/001  
See application file for complete search history.

**OTHER PUBLICATIONS**

“The Symptoms of a Bad Brake Booster or Master Cylinder”.  
[online]. Mike L. [Published on Feb. 18, 2019]. Retrieved from the  
Internet: <<https://scanneranswers.com/the-symptoms-of-a-bad-brake-booster-or-master-cylinder/>>.\*

\* cited by examiner  
*Primary Examiner* — Khawaja Anwar  
*Assistant Examiner* — Mojtaba Tehrani  
(74) *Attorney, Agent, or Firm* — Amsted Industries  
Incorporated

(57) **CLAIM**  
The ornamental design for a vented brake cylinder, as shown  
and described.

(56) **References Cited**  
**U.S. PATENT DOCUMENTS**  
1,396,606 A \* 11/1921 Vincent ..... B67C 11/02  
141/326  
D226,531 S \* 3/1973 Beckman ..... D7/400  
D262,681 S \* 1/1982 Dawson ..... D7/667  
D269,425 S \* 6/1983 Whitaker, Jr. .... D12/197  
D341,147 S \* 11/1993 Pollak ..... 141/331  
5,634,502 A \* 6/1997 Pierce ..... F01M 11/04  
141/331  
D381,030 S \* 7/1997 Tepman ..... D15/144  
D383,036 S \* 9/1997 Cohen ..... D7/400  
D396,603 S \* 8/1998 Gasser ..... D7/400  
D569,176 S \* 5/2008 Bodum ..... D7/387  
D571,163 S \* 6/2008 Gillan ..... D7/602  
D606,363 S \* 12/2009 Aardenburg ..... D7/400

**DESCRIPTION**

FIG. 1 is a perspective view of a vented brake cylinder,  
showing our new design;  
FIG. 2 is a front elevation view thereof;  
FIG. 3 is a rear elevation view thereof;  
FIG. 4 is a top plan view thereof;  
FIG. 5 is a top view thereof, rotated partially to show the  
vent in the center of the brake cylinder;  
FIG. 6 is a perspective view thereof; and,  
FIG. 7 is a top plan view thereof.  
The broken lines in the figure drawings depicts unclaimed  
environment only and form no part of the claimed design.

**1 Claim, 5 Drawing Sheets**

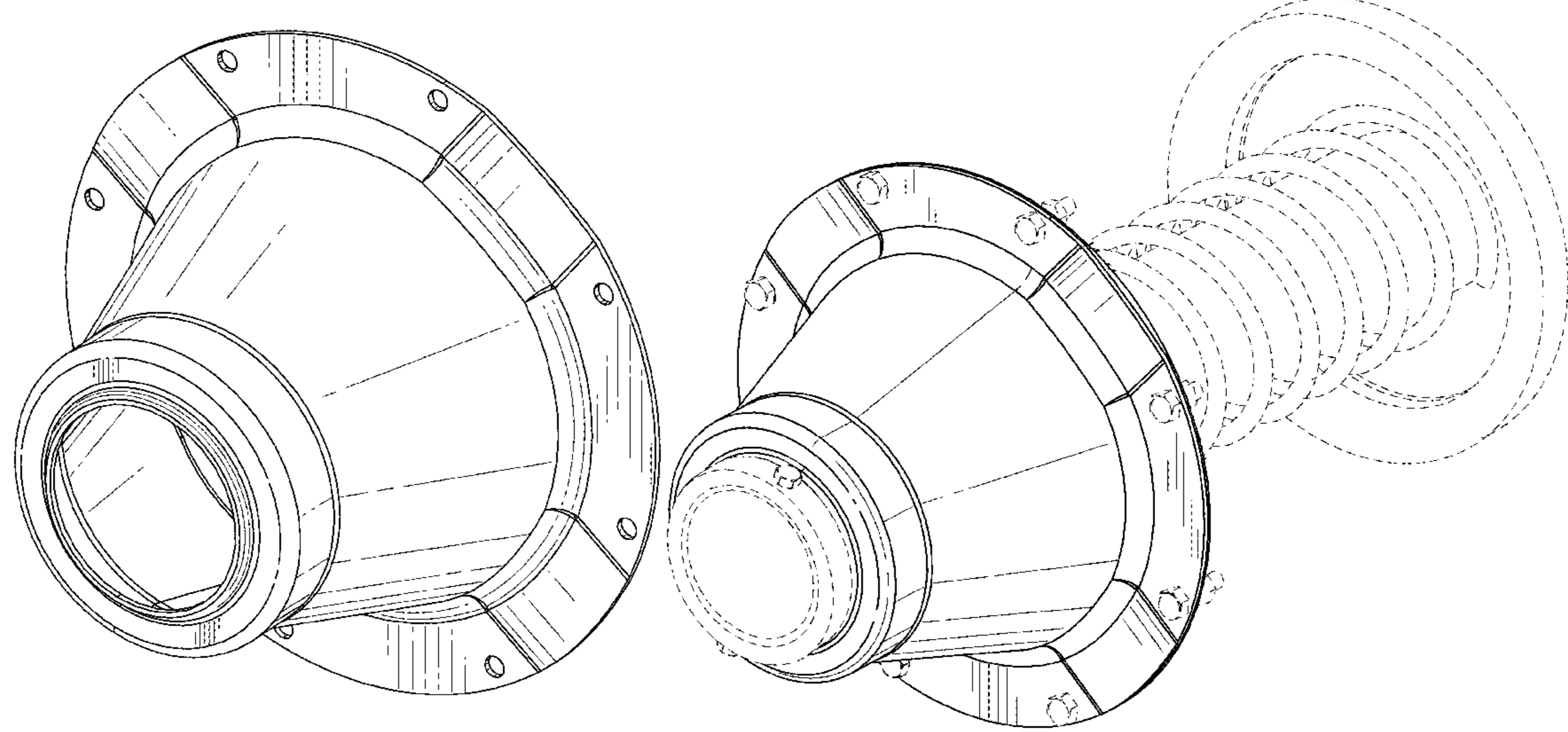
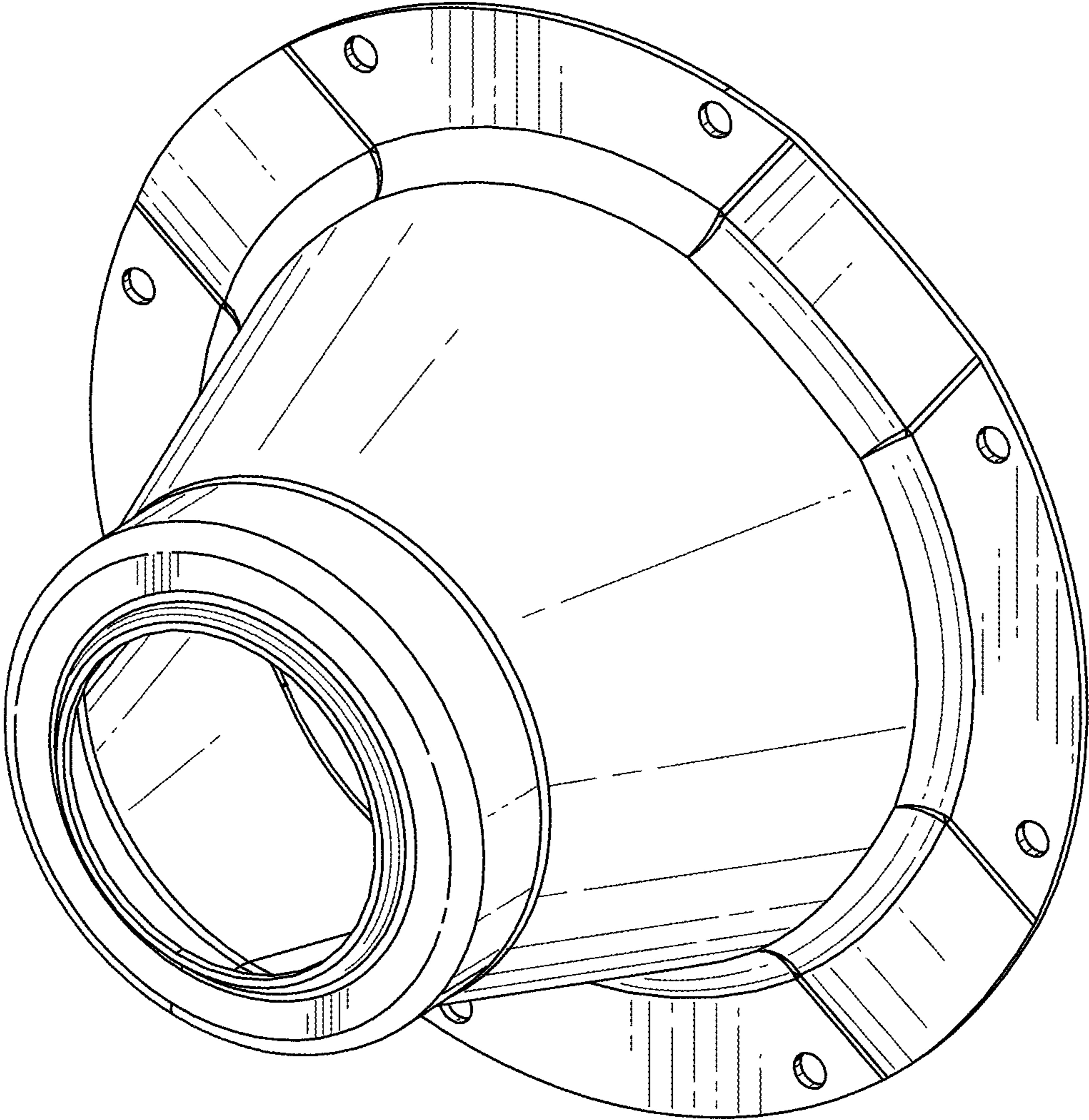
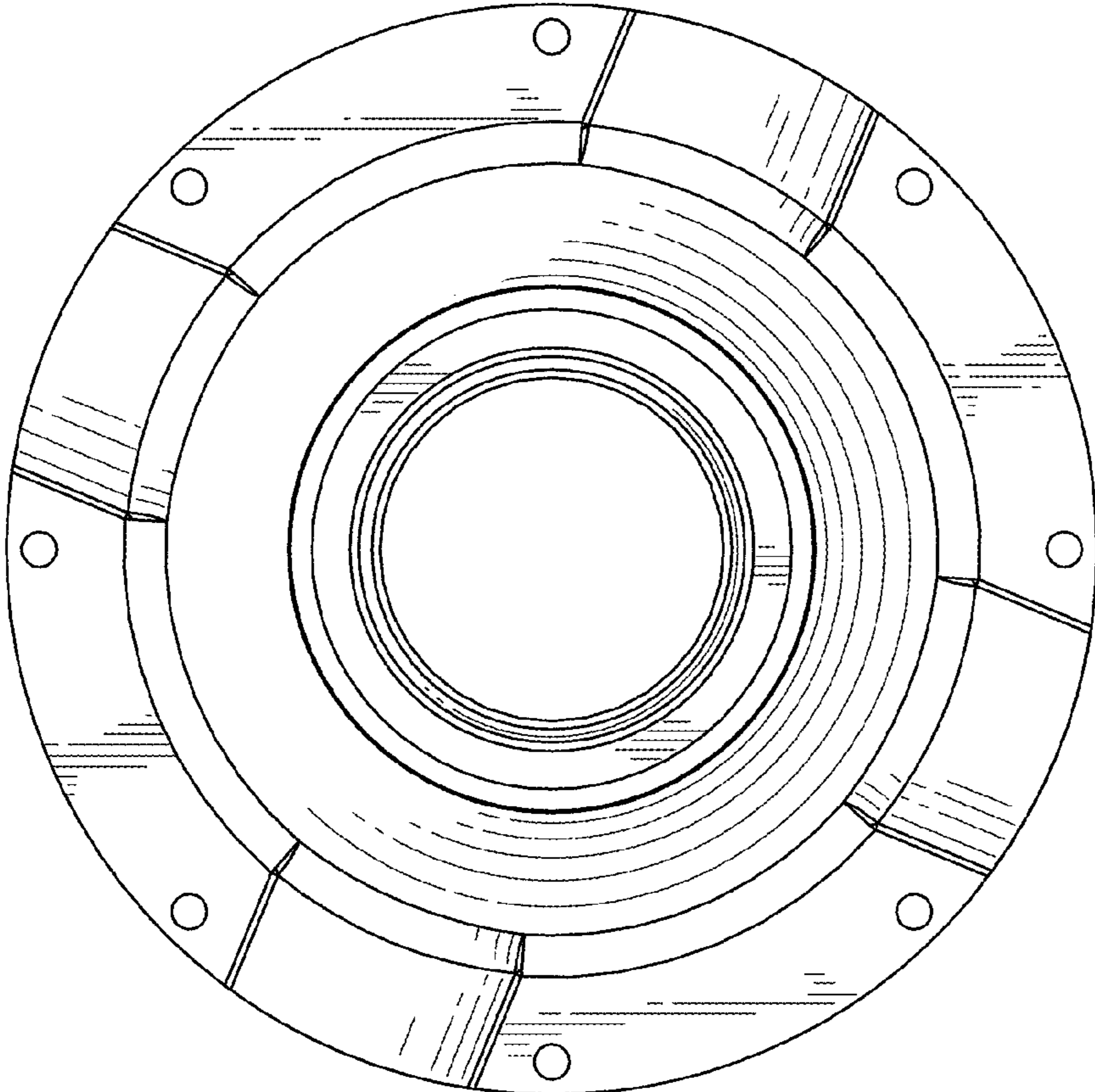


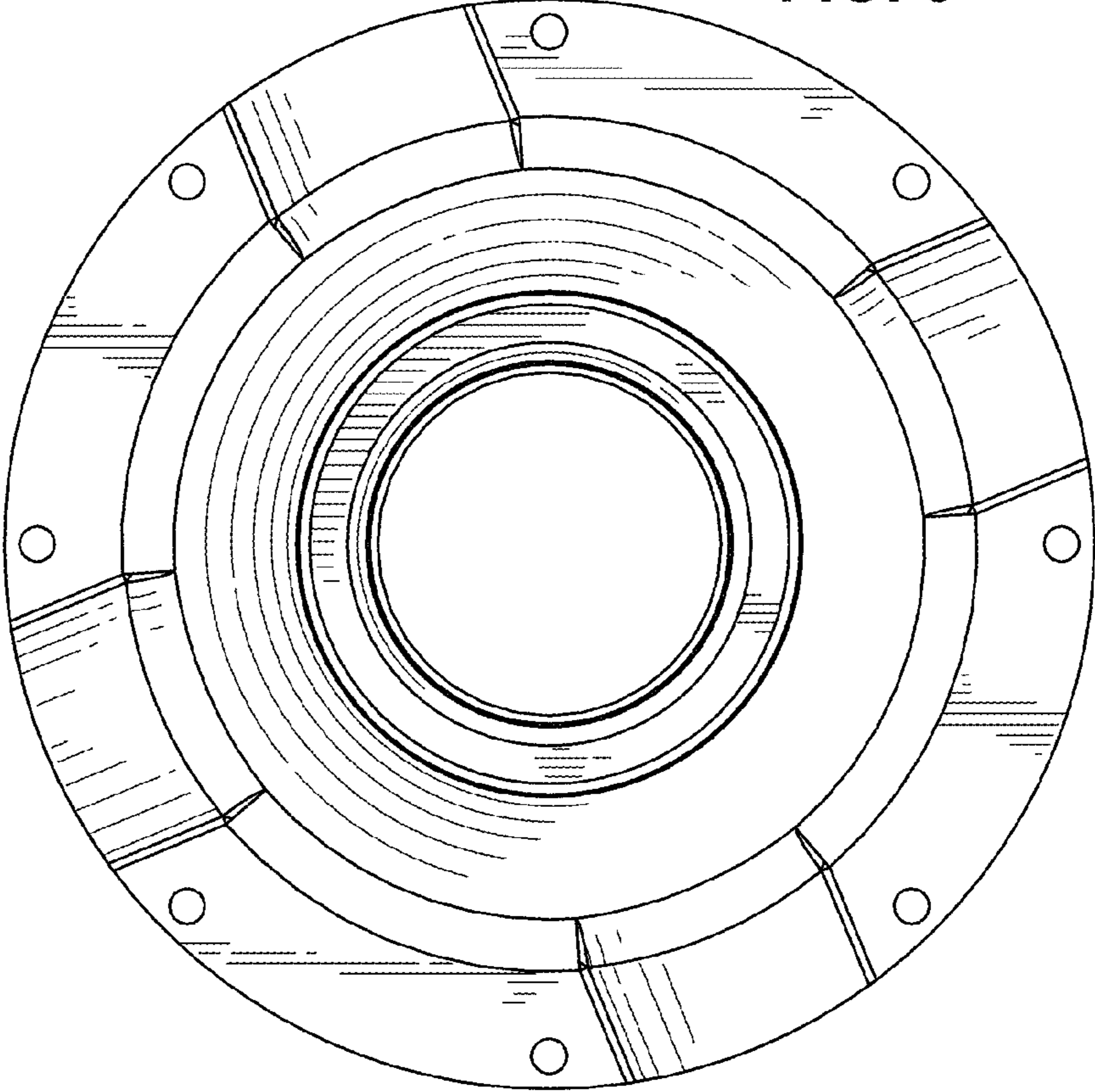
FIG. 1



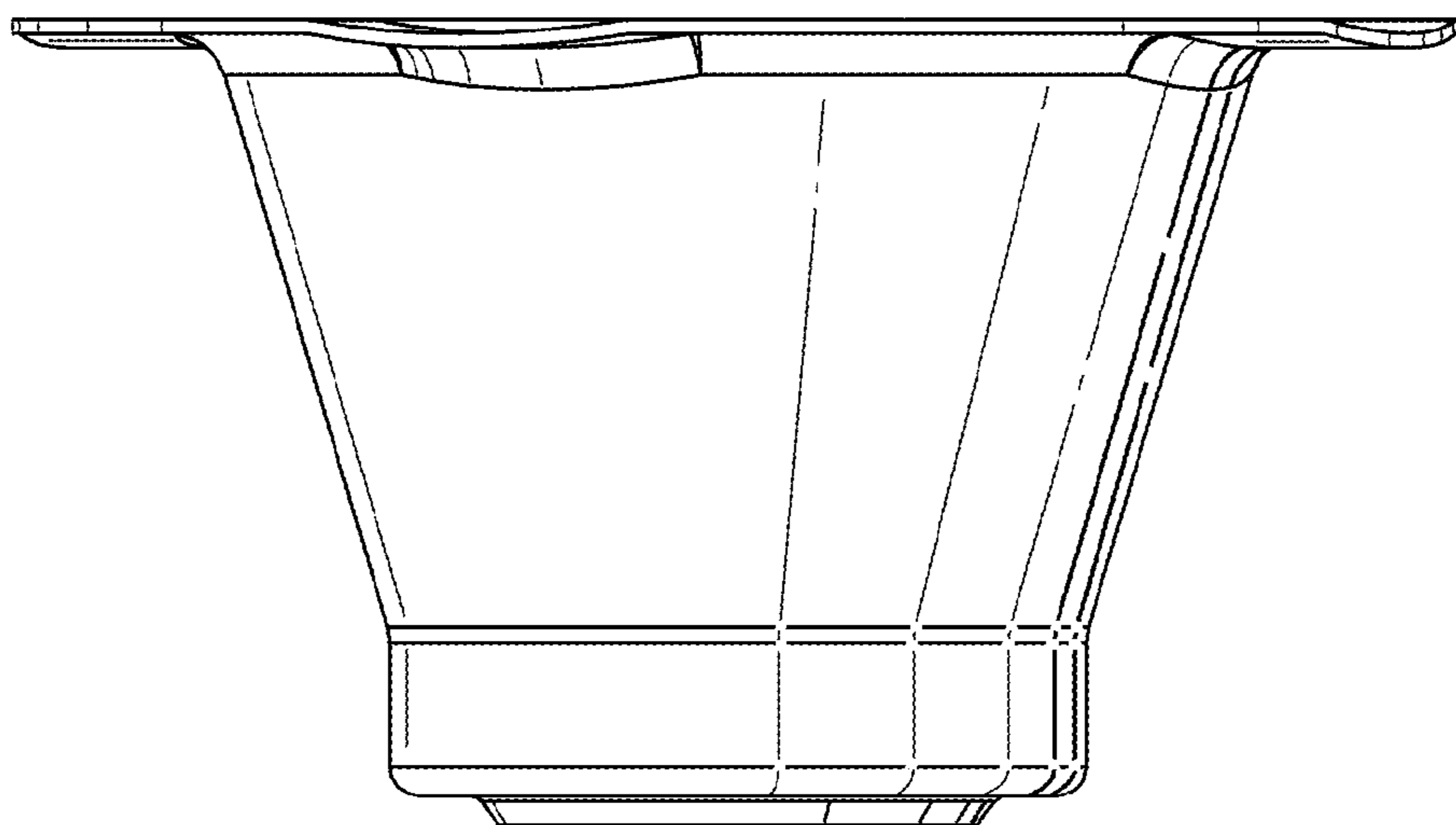
**FIG. 2**



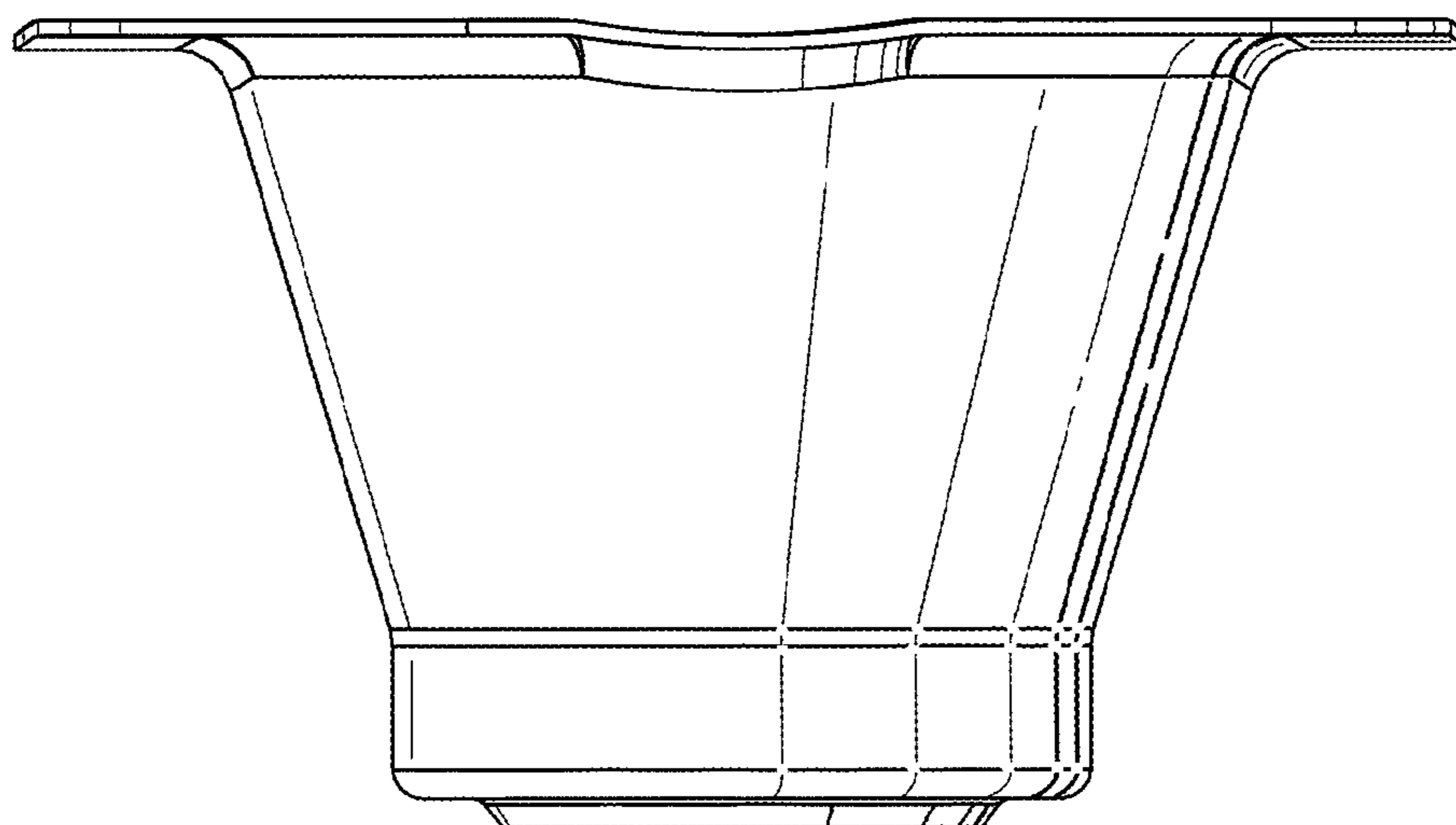
**FIG. 3**



**FIG. 4**



**FIG. 5**



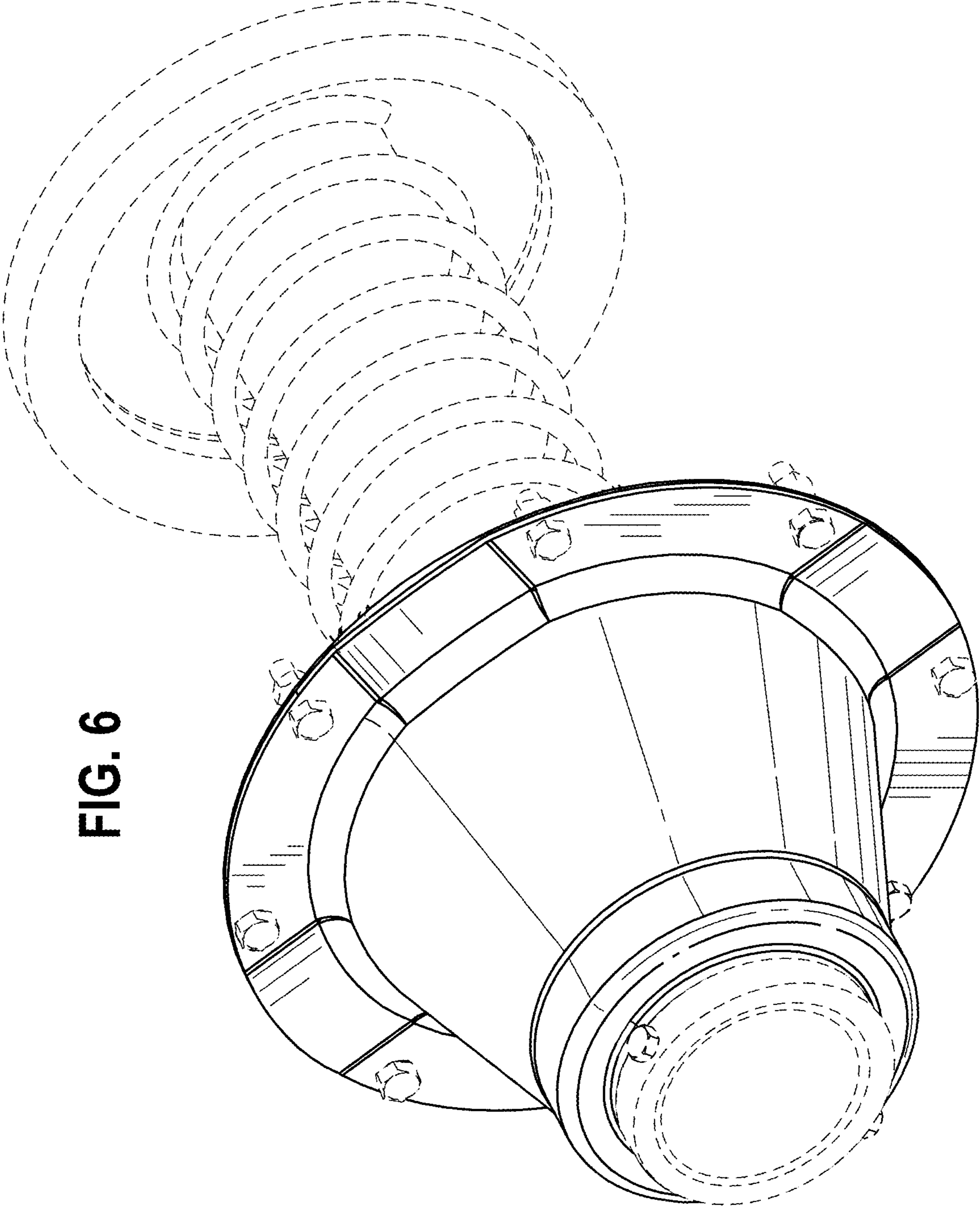


FIG. 6

FIG. 7

