



US00D876292S

(12) **United States Design Patent**
Battams

(10) **Patent No.:** **US D876,292 S**

(45) **Date of Patent:** **** Feb. 25, 2020**

(54) **REAR END OF A VEHICLE**

(71) Applicant: **Jaguar Land Rover Limited**, Whitley, Coventry (GB)

(72) Inventor: **Robert Battams**, Coventry (GB)

(73) Assignee: **Jaguar Land Rover Limited**, Whitley, Coventry (GB)

(**) Term: **15 Years**

(21) Appl. No.: **29/622,721**

(22) Filed: **Oct. 19, 2017**

(30) **Foreign Application Priority Data**

Apr. 21, 2017 (EM) 003866920

(51) **LOC (12) Cl.** **12-16**

(52) **U.S. Cl.**
USPC **D12/164**

(58) **Field of Classification Search**
USPC D12/86, 90–92, 163, 164, 169, 171, 196,
D12/216; D21/548, 560
CPC ... B60Y 2306/01; B60K 11/085; B60R 19/02;
B60R 19/04; B62D 25/08
See application file for complete search history.

(56) **References Cited**

U.S. PATENT DOCUMENTS

| | | | | |
|--------------|--------|------------|-------|---------|
| D706,692 S * | 6/2014 | Wheel | | D12/196 |
| D762,142 S * | 7/2016 | Battams | | D12/91 |
| D784,231 S * | 4/2017 | Henstridge | | D12/196 |
| D791,645 S * | 7/2017 | Henstridge | | D12/91 |
| D840,273 S * | 2/2019 | Battams | | D12/91 |
| D840,290 S * | 2/2019 | Frascella | | D12/164 |
| D841,529 S * | 2/2019 | Battams | | D12/164 |

OTHER PUBLICATIONS

4 Wheels News—2019 Range Rover Sport <https://www.4wheelsnews.com/auto/2018-range-rover-sport-plug-in-hybrid-svr-facelift-official-38149-g-258901.html> Oct. 6, 2017 (Year: 2017).*

Land Rover—Range Rover Sport <https://www.landroverusa.com/vehicles/range-rover-sport/index.html> Oct. 4, 2018 (Year: 2018).*

* cited by examiner

Primary Examiner — Leanne Was-Englehart

(74) *Attorney, Agent, or Firm* — Wood Herron & Evans LLP

(57) **CLAIM**

The ornamental design for a rear end of a vehicle, as shown and described.

DESCRIPTION

FIG. 1 is a front right perspective view of a rear end of a vehicle according to the present invention.

FIG. 2 is a front left perspective view of the rear end of a vehicle shown in FIG. 1;

FIG. 3 is a rear left perspective view thereof;

FIG. 4 is a rear right perspective view thereof;

FIG. 5 is a front view thereof;

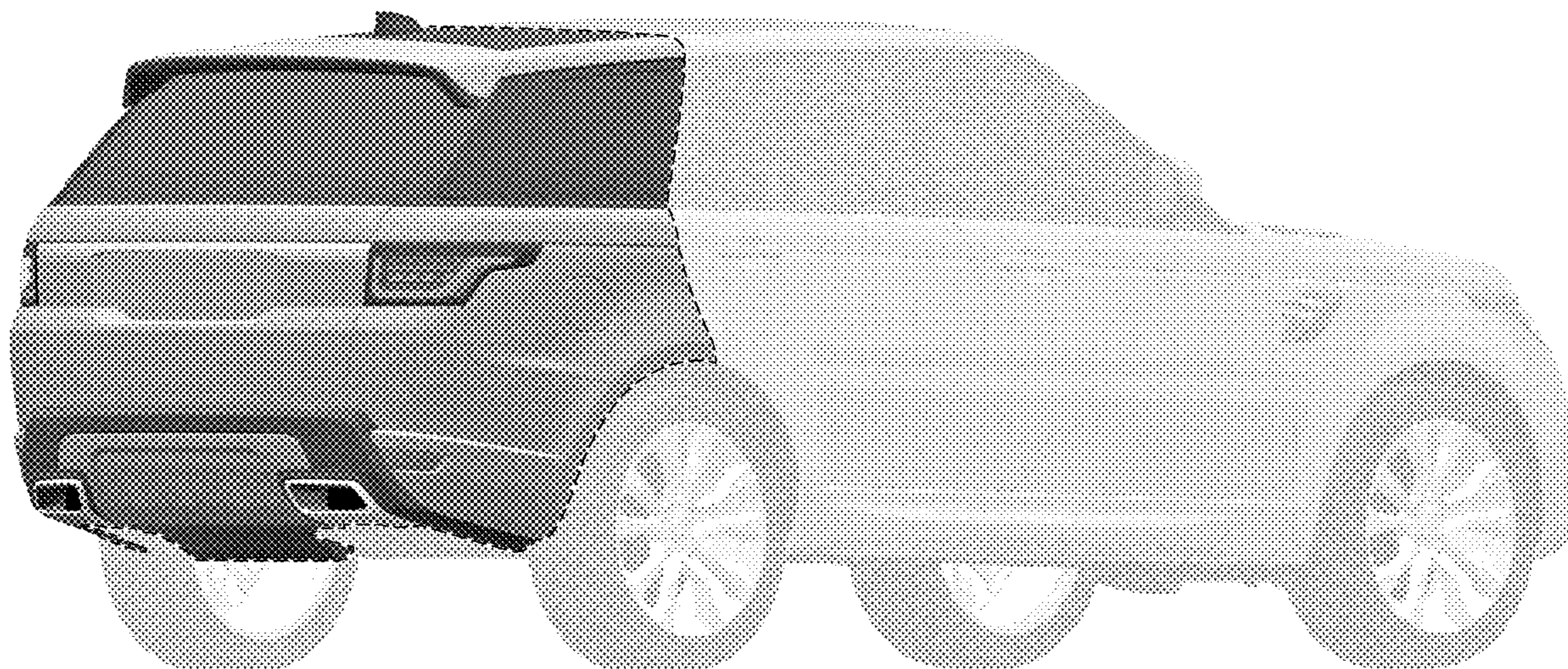
FIG. 6 is a right side view thereof;

FIG. 7 is a left side view thereof; and,

FIG. 8 is a top view thereof.

In the Figures the broken line forms no part of the claimed invention, but serves as an unclaimed boundary. More specifically, in the Figures the inventive rear end of a vehicle is shown within the broken line, and the rest of the vehicle is shown in de-emphasized and half-tone portions so as to illustrate environmental structure. These portions form no part of the claimed invention.

1 Claim, 8 Drawing Sheets



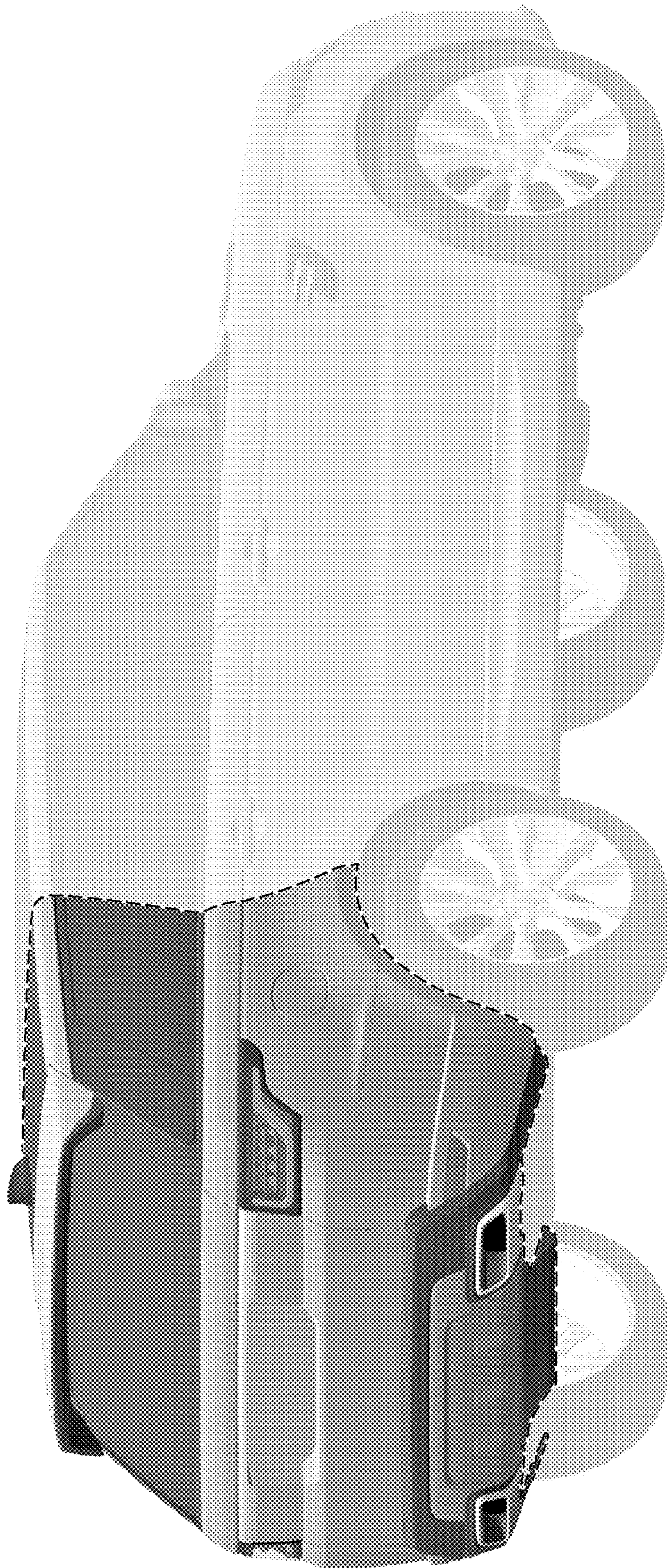


FIG. 1



FIG. 2

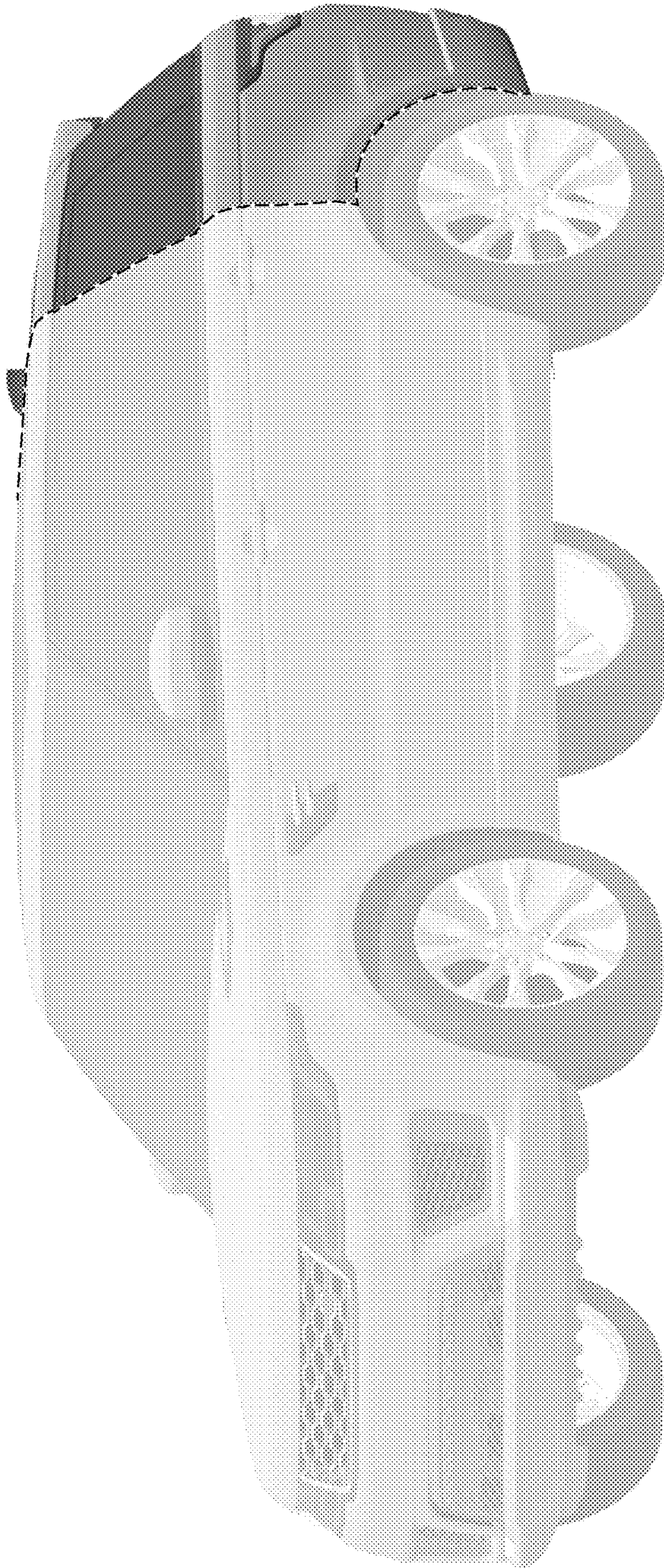


FIG. 3

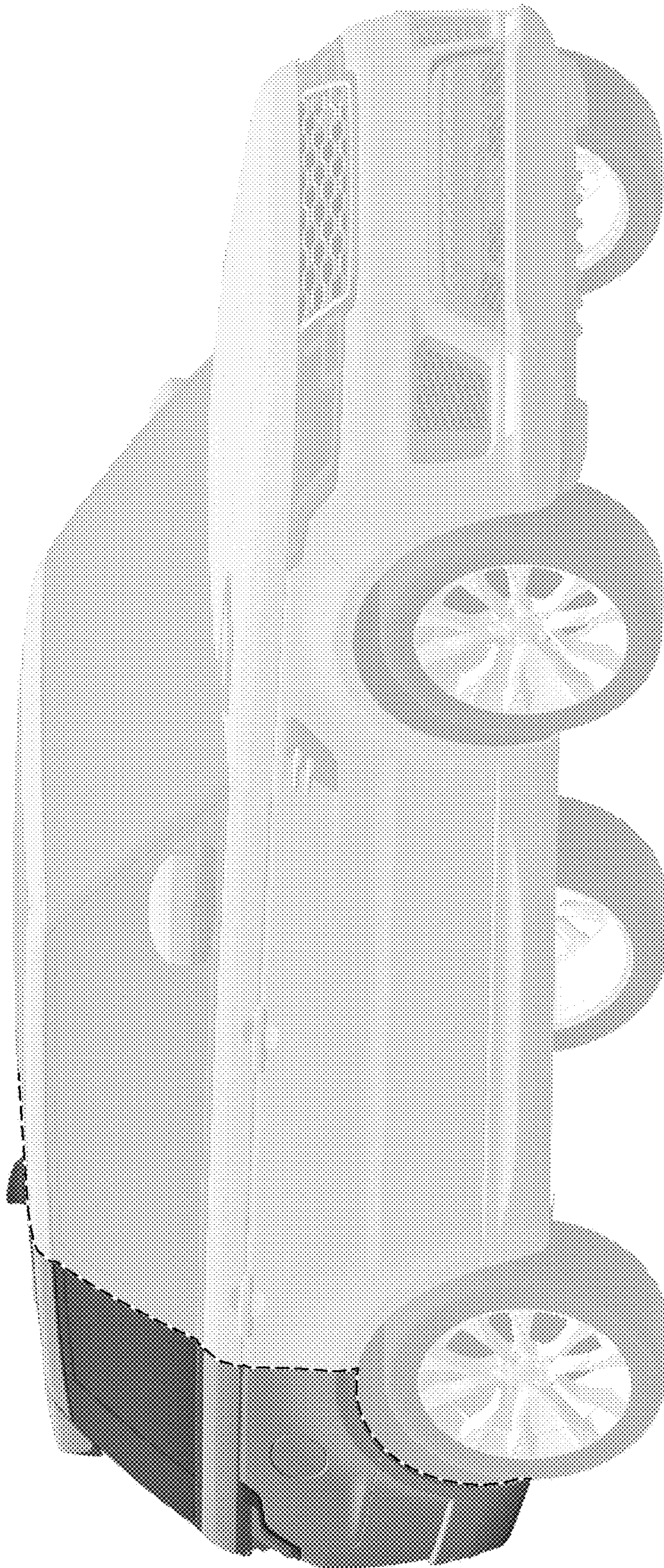


FIG. 4

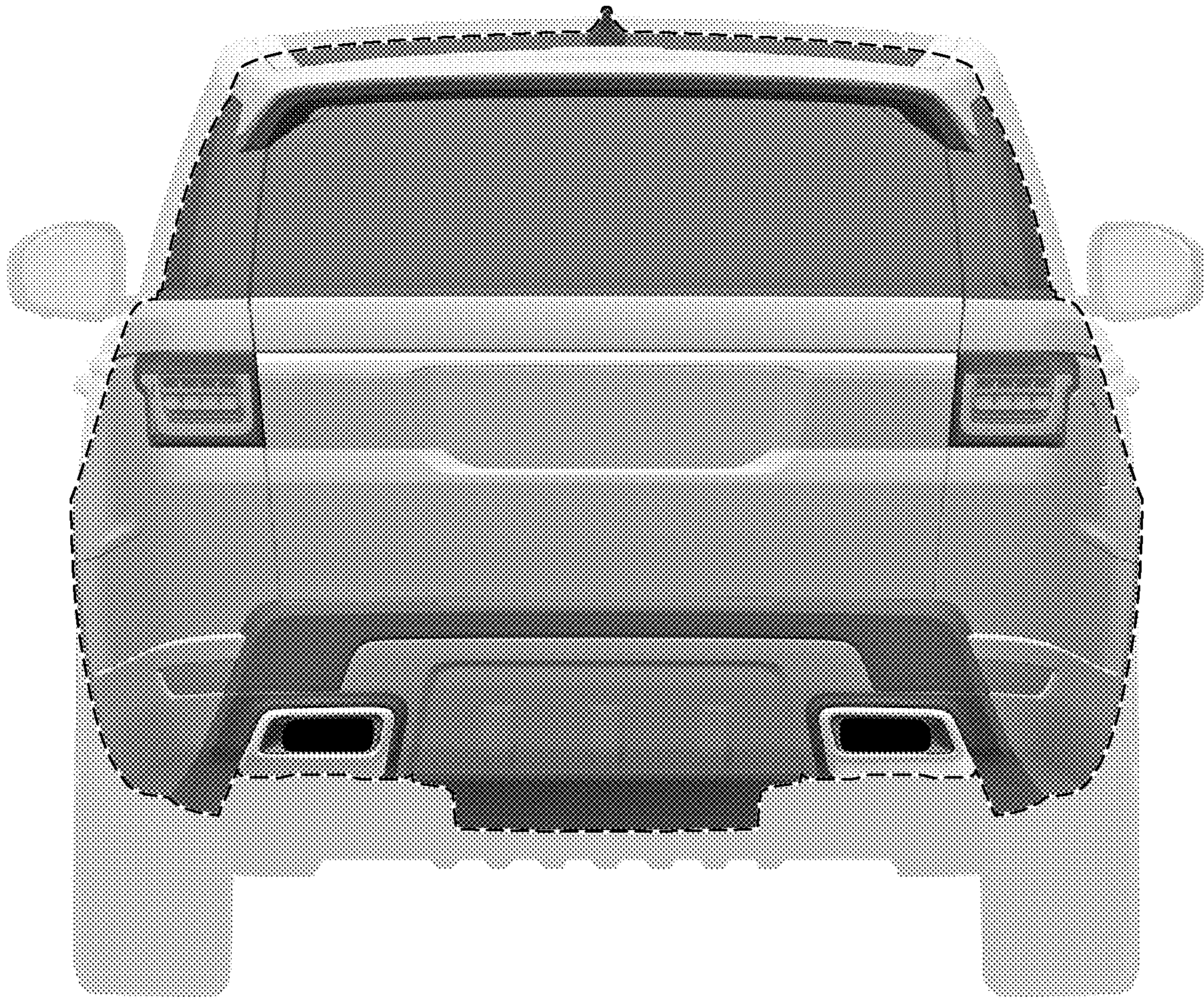


FIG. 5

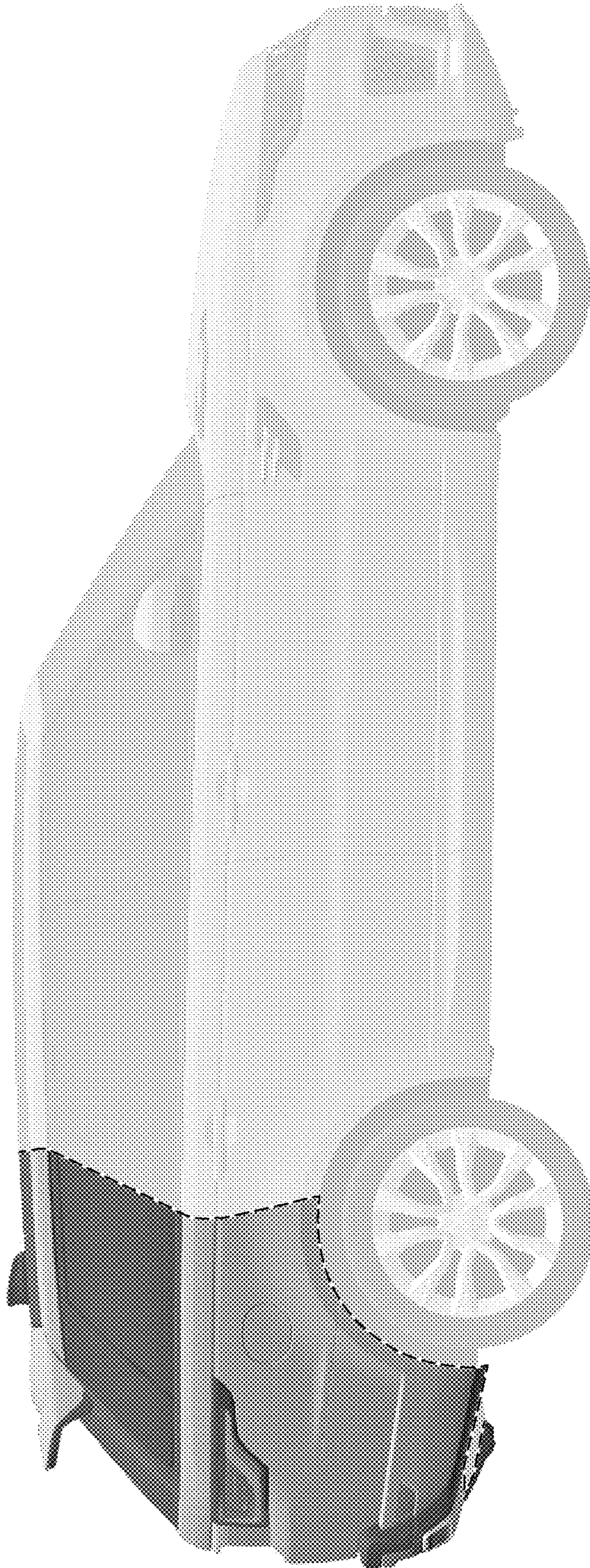


FIG. 6

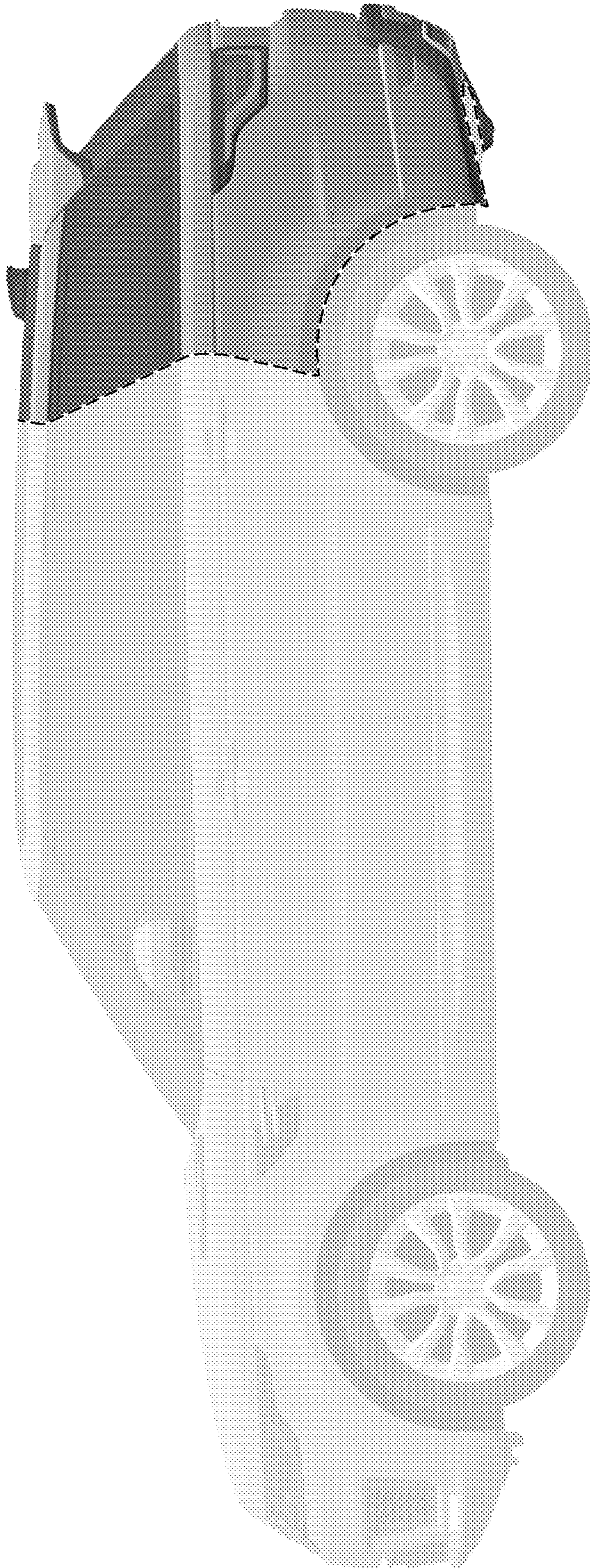


FIG. 7



FIG. 8