



US00D876290S

(12) **United States Design Patent**
Kirkland

(10) **Patent No.:** **US D876,290 S**

(45) **Date of Patent:** **** Feb. 25, 2020**

(54) **CONNECTOR HITCH**

(71) Applicant: **K and K Farm Implements, LLC,**
Batesburg, SC (US)

(72) Inventor: **Paige F. Kirkland,** Wagener, SC (US)

(73) Assignee: **K AND K FARM IMPLEMENTS,**
LLC, Batesburg, SC (US)

(**) Term: **15 Years**

(21) Appl. No.: **29/673,134**

(22) Filed: **Dec. 12, 2018**

(51) **LOC (12) Cl.** **12-16**

(52) **U.S. Cl.**
USPC **D12/162**

(58) **Field of Classification Search**
CPC . B60D 1/60; B60D 1/065; B60D 1/00; B60D
1/06; B60D 1/36
See application file for complete search history.

(56) **References Cited**

U.S. PATENT DOCUMENTS

5,503,422	A *	4/1996	Austin	B60D 1/06 280/477
5,549,316	A *	8/1996	Jones	B60D 1/363 280/477
5,697,630	A *	12/1997	Thompson	B60D 1/363 280/477
D414,732	S *	10/1999	Redmond	D12/162
D503,131	S *	3/2005	Underwood	B60D 1/075 D12/162
D687,353	S *	8/2013	Dunn	D12/162
D828,249	S *	9/2018	Gustafson	D12/180
D832,748	S *	11/2018	Scott	D12/162
D837,698	S *	1/2019	Song	B60D 1/06 D12/162

D838,630	S *	1/2019	Borkholder	D12/162
D841,526	S *	2/2019	Siegel	B60D 1/06 D12/162
D847,697	S *	5/2019	McCuskey	B60D 1/363 D12/162
D847,698	S *	5/2019	Moore	B60D 1/363 D12/162
D851,545	S *	6/2019	McCuskey	B60D 1/07 D12/162
D851,546	S *	6/2019	McCuskey	B60D 1/02 D12/162
D854,970	S *	7/2019	McCuskey	D12/162

* cited by examiner

Primary Examiner — Katrina A Betton

(74) *Attorney, Agent, or Firm* — Burr & Forman LLP;
Douglas L. Lineberry

(57) **CLAIM**

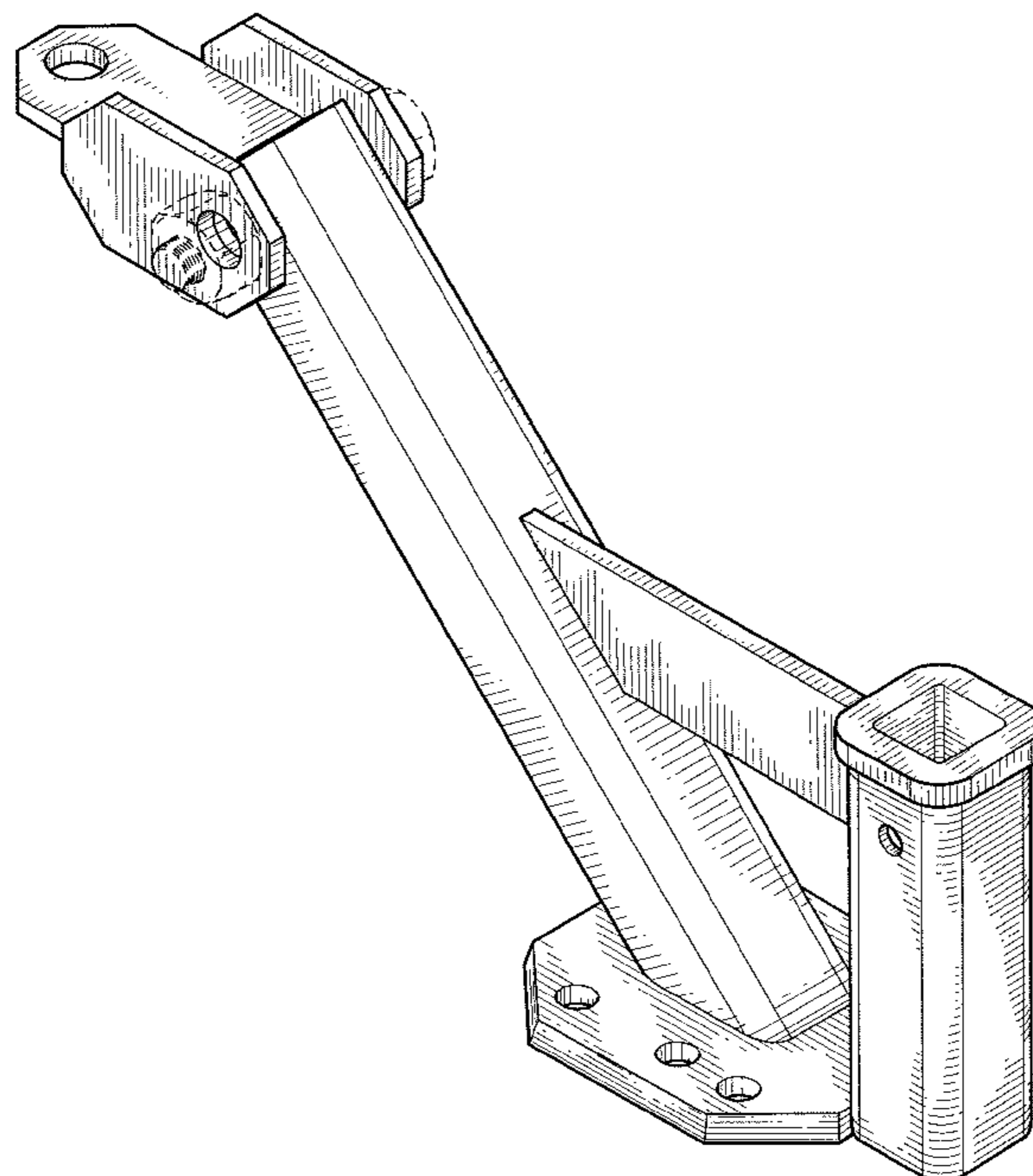
The ornamental design for a connector hitch, as shown and described.

DESCRIPTION

FIG. 1 is a back side perspective view of the connector hitch; FIG. 2 is a front view of the connector hitch; FIG. 3 is a back (rear) view of the connector hitch; FIG. 4 is a left view of the connector hitch; FIG. 5 is a right view of the connector hitch; FIG. 6 is a top view of the connector hitch; FIG. 7 is a bottom front view of the connector hitch; and, FIG. 8 a left view of the connector hitch with the forward piece rotated and dashed to show position of the forward place is not being claimed.

The broken lines shown in the drawings are for illustrative purposes and form no part of the claimed design.

1 Claim, 6 Drawing Sheets



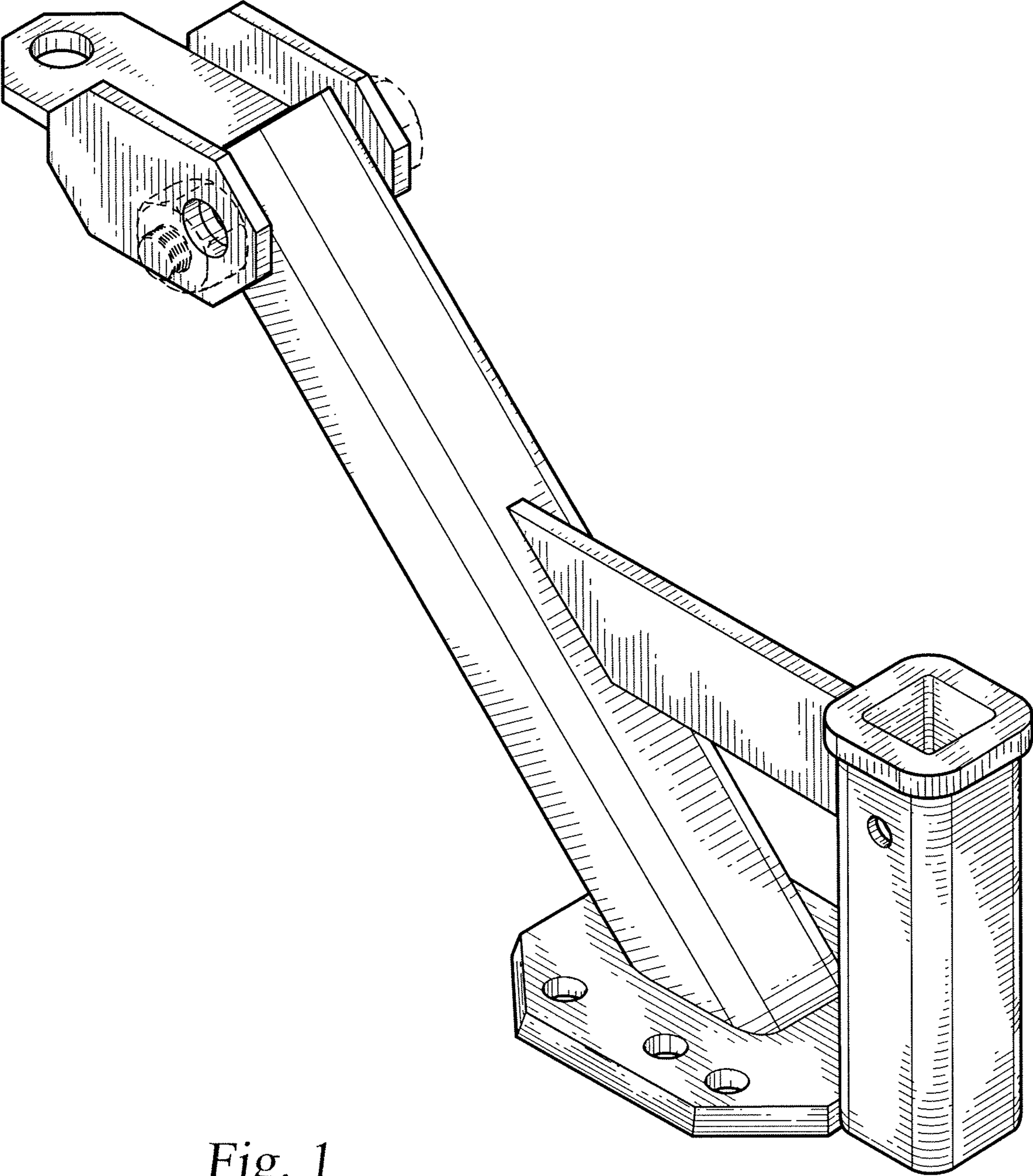


Fig. 1

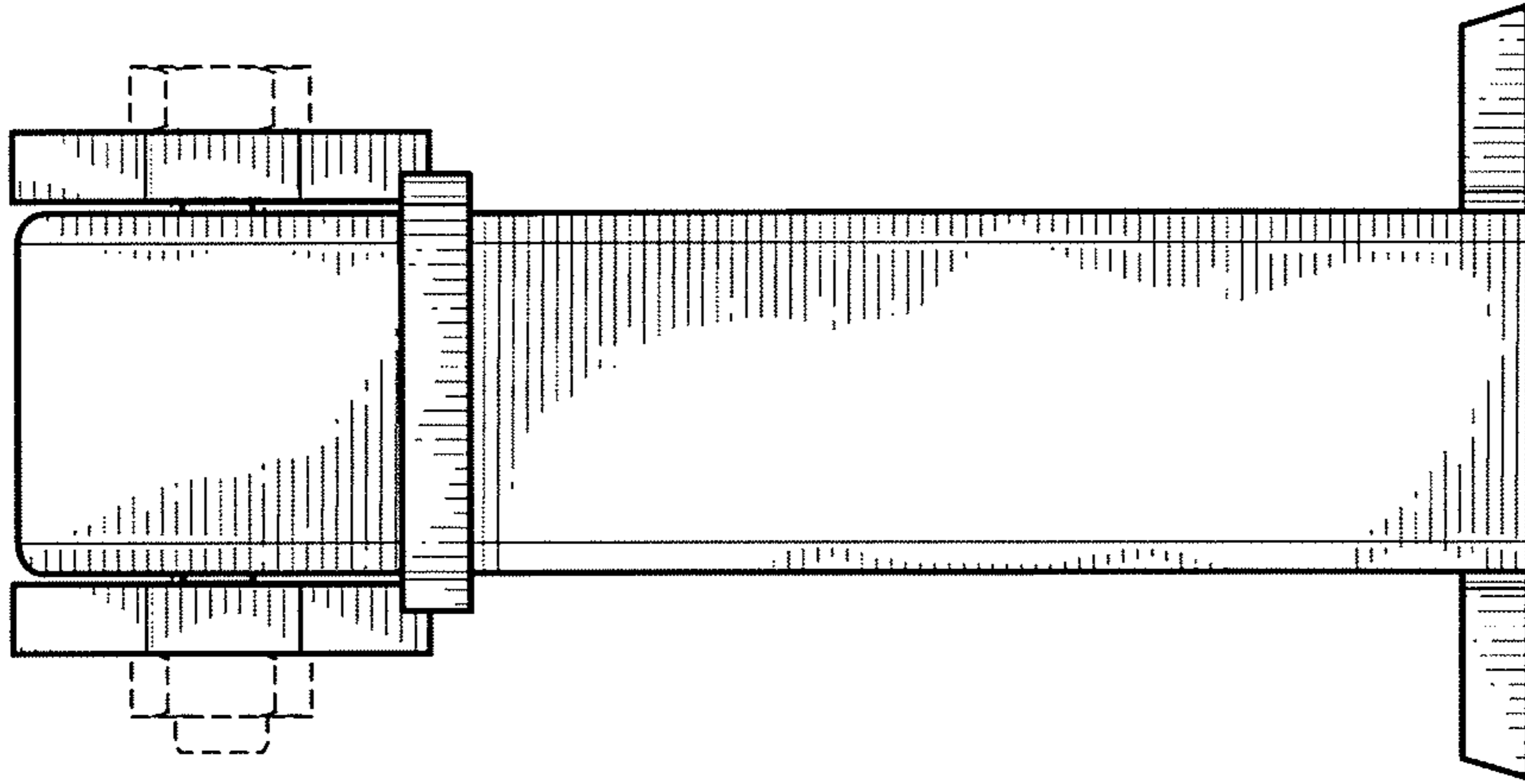


Fig. 3

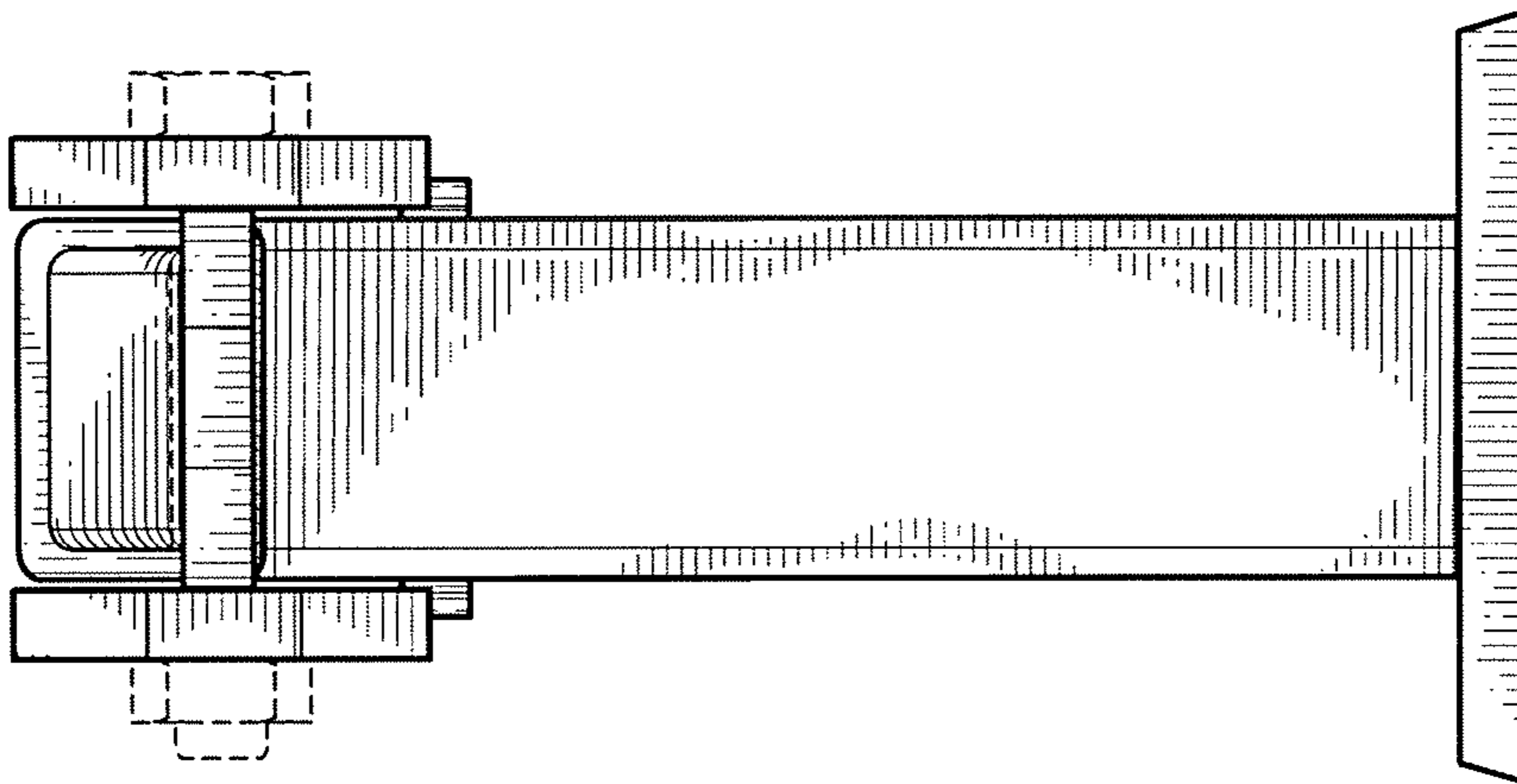


Fig. 2

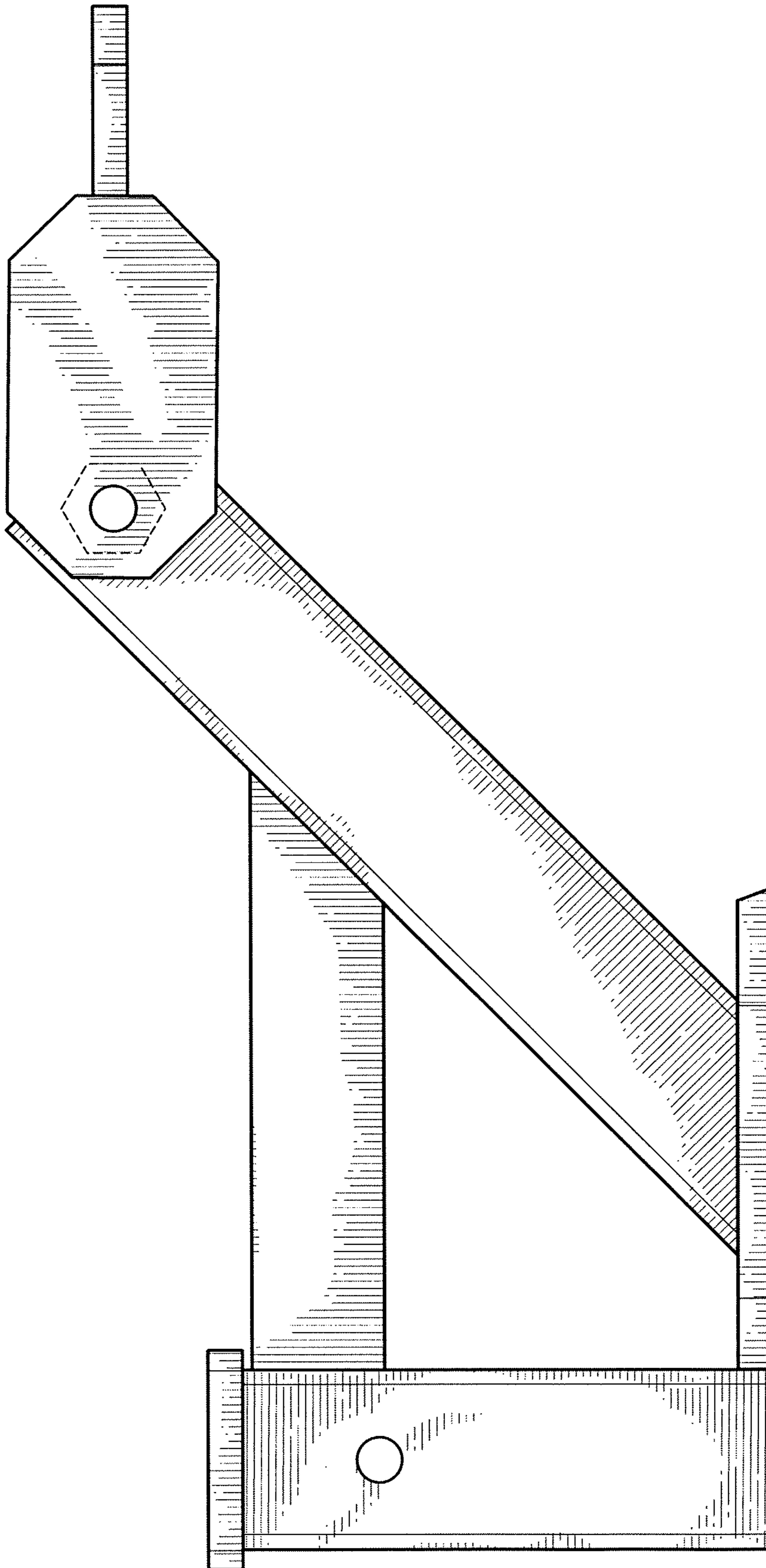


Fig. 4

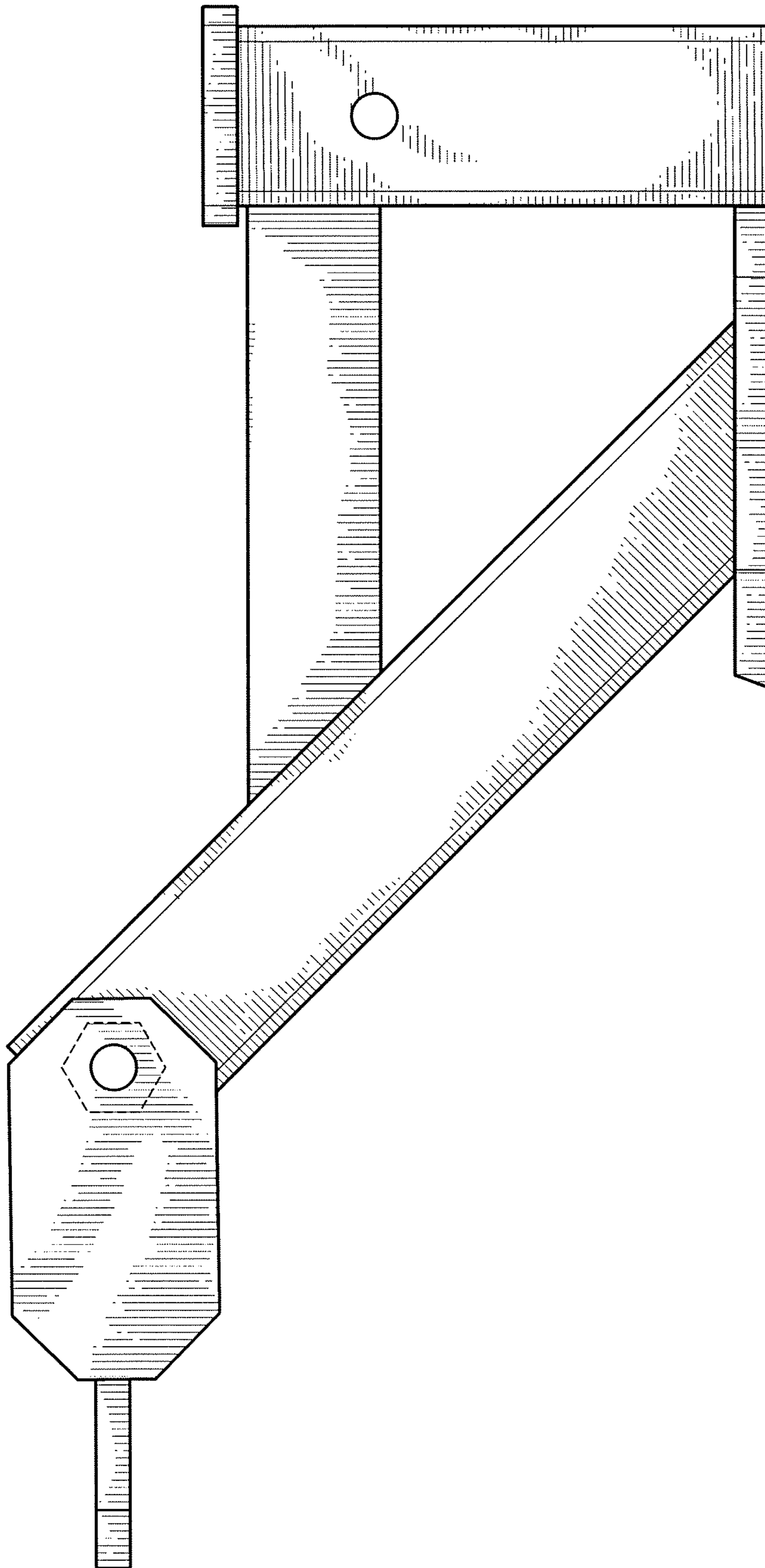


Fig. 5

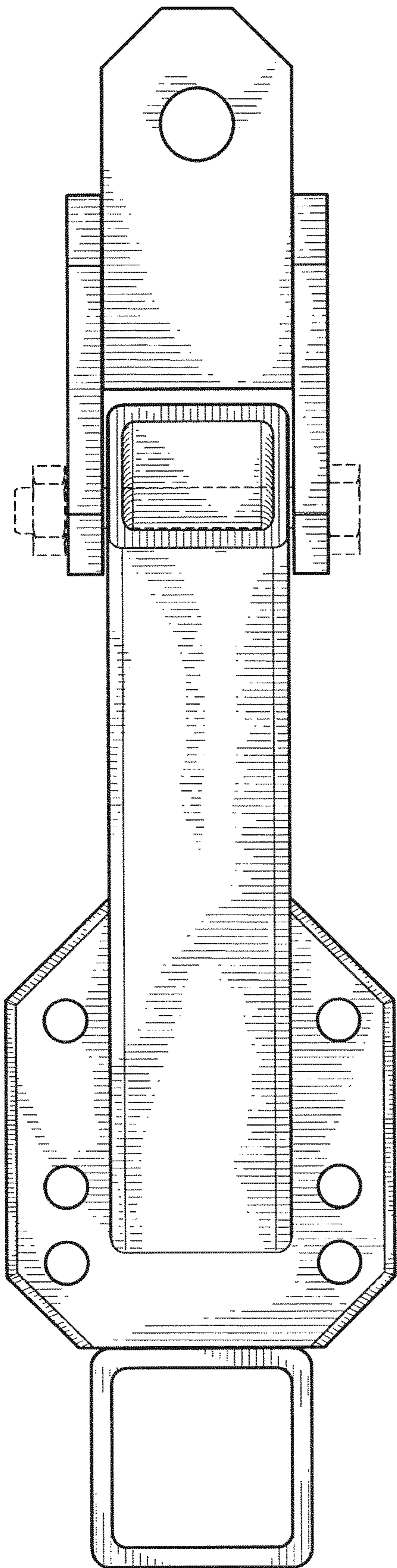


Fig. 6

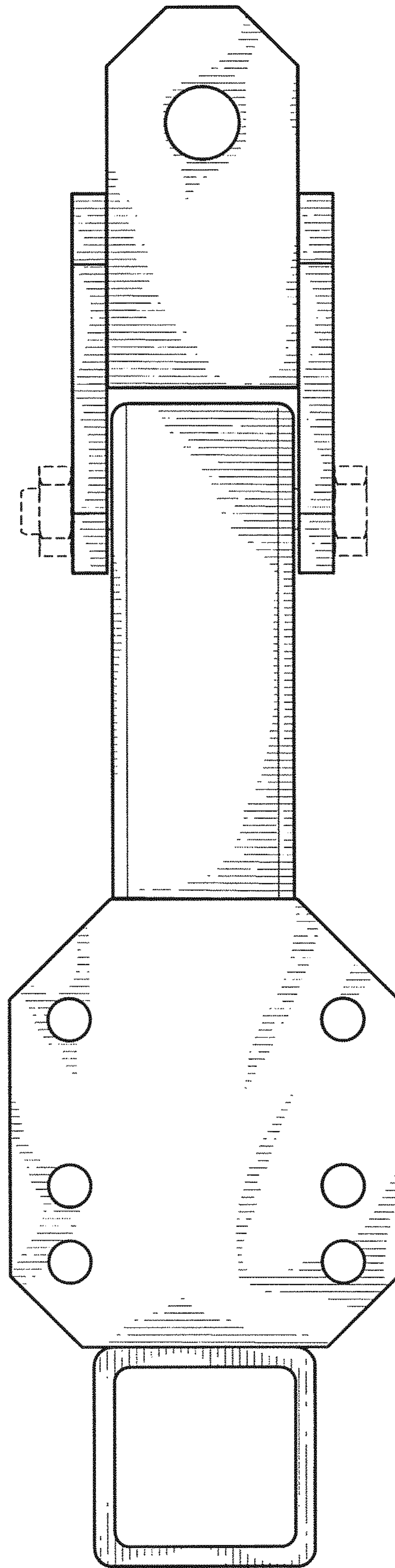


Fig. 7

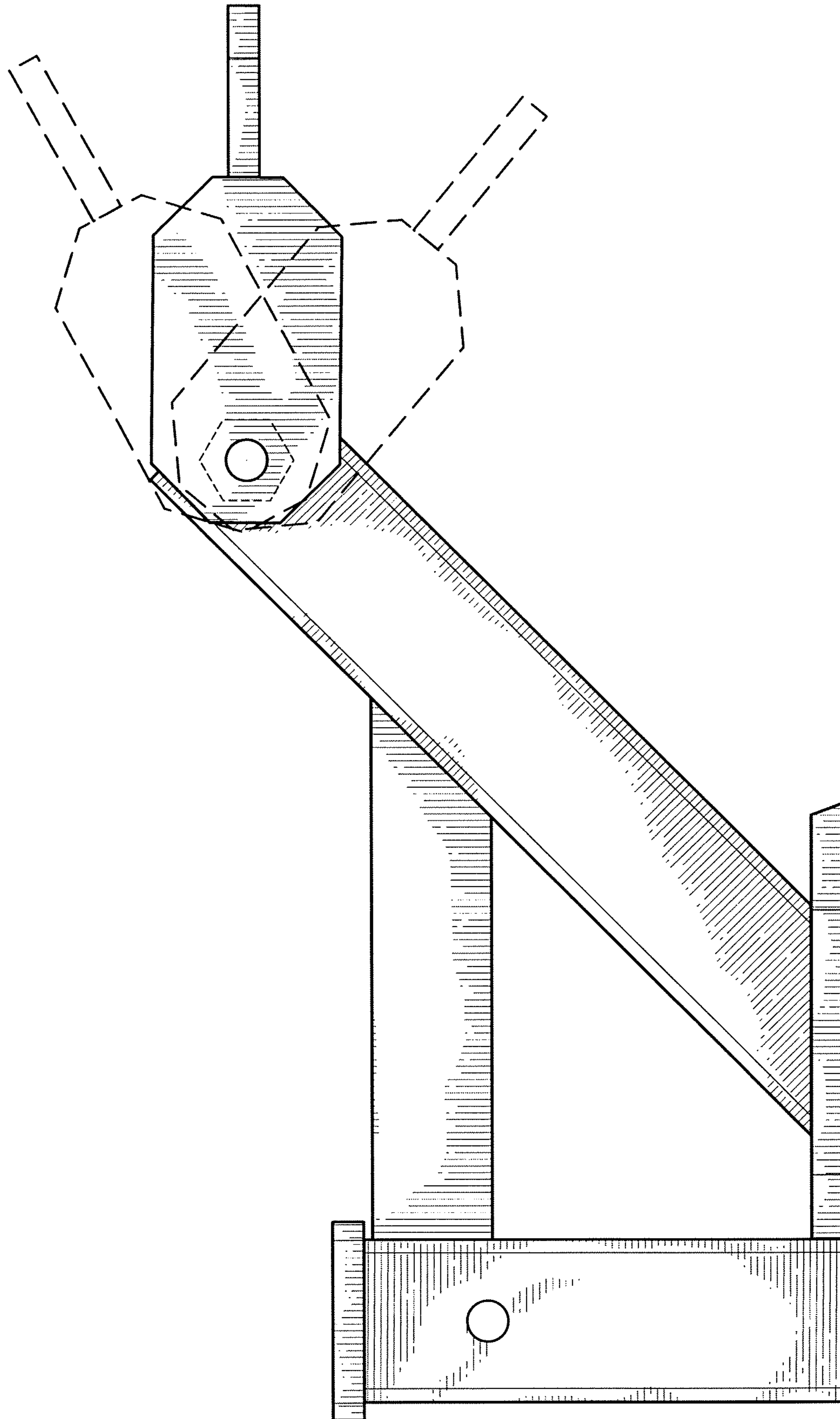


Fig. 8