



US00D876289S

(12) **United States Design Patent**
Decker, Jr. et al.

(10) **Patent No.:** **US D876,289 S**
(45) **Date of Patent:** **** Feb. 25, 2020**

- (54) **BRAKE ACTIVATION SYSTEM**
- (71) Applicant: **Danko Manufacturing LLC**, Castle Rock, CO (US)
- (72) Inventors: **Daniel L. Decker, Jr.**, Castle Rock, CO (US); **Jerad M. Burkhart**, Castle Rock, CO (US); **Ronald E. Decker**, Sedalia, CO (US); **Samuel T. Shumate**, Castle Rock, CO (US); **Eric K. Becker**, Sedalia, CO (US)
- (73) Assignee: **Danko Manufacturing LLC**, Castle Rock, CO (US)
- (**) Term: **15 Years**
- (21) Appl. No.: **29/599,924**
- (22) Filed: **Apr. 7, 2017**
- (51) **LOC (12) Cl.** **12-16**
- (52) **U.S. Cl.**
USPC **D12/162**
- (58) **Field of Classification Search**
USPC D10/106; D12/126, 162, 174, 179, 180;
D13/162, 164, 167; D14/162, 218;
D15/5
CPC B60D 1/06; B60D 1/065; B60D 1/242;
B60D 1/30; B60D 1/305; B60T 7/20;
B60T 8/248
See application file for complete search history.

- D468,273 S * 1/2003 Reichard D13/162
 - D468,704 S * 1/2003 Reichard D13/162
 - D468,705 S * 1/2003 Reichard D13/162
 - D494,902 S * 8/2004 Wen D12/180
 - D679,229 S * 4/2013 Decker, Jr. 188/73.35
 - 8,662,262 B1 * 3/2014 Decker, Jr. B60T 7/20
188/112 R
 - D804,375 S * 12/2017 Crippa D12/180
 - D851,566 S * 6/2019 Nessi D12/180
 - 2006/0176166 A1 * 8/2006 Smith B60L 3/00
340/479
 - 2018/0290635 A1 * 10/2018 Decker, Jr. B60T 7/20
- * cited by examiner

Primary Examiner — Michael C Stout
Assistant Examiner — Fritzgerald L Butac
 (74) *Attorney, Agent, or Firm* — Hall Estill Attorneys at Law; Gordon R. Lindeen, III

(57) **CLAIM**
 The ornamental design for a brake activation system, as shown and described.

DESCRIPTION

FIG. 1 is a front perspective view of a brake activation system showing my new design.
 FIG. 2 is a rear perspective view of the system of FIG. 1.
 FIG. 3 is a top view of the system of FIG. 1.
 FIG. 4 is a bottom view of the system of FIG. 1.
 FIG. 5 is a right side view of the system of FIG. 1.
 FIG. 6 is a left side view of the system of FIG. 1.
 FIG. 7 is a front side view of the system of FIG. 1; and,
 FIG. 8 is a back side view of the system of FIG. 1.
 The piston and piston rod form no part of the claimed design.
 The broken lines in FIG. 4 show portions of a brake activation system that form no part of the claimed design.

1 Claim, 7 Drawing Sheets

- (56) **References Cited**
 U.S. PATENT DOCUMENTS
 D433,387 S * 11/2000 Roth D13/162
 D435,494 S * 12/2000 Reichard D12/162

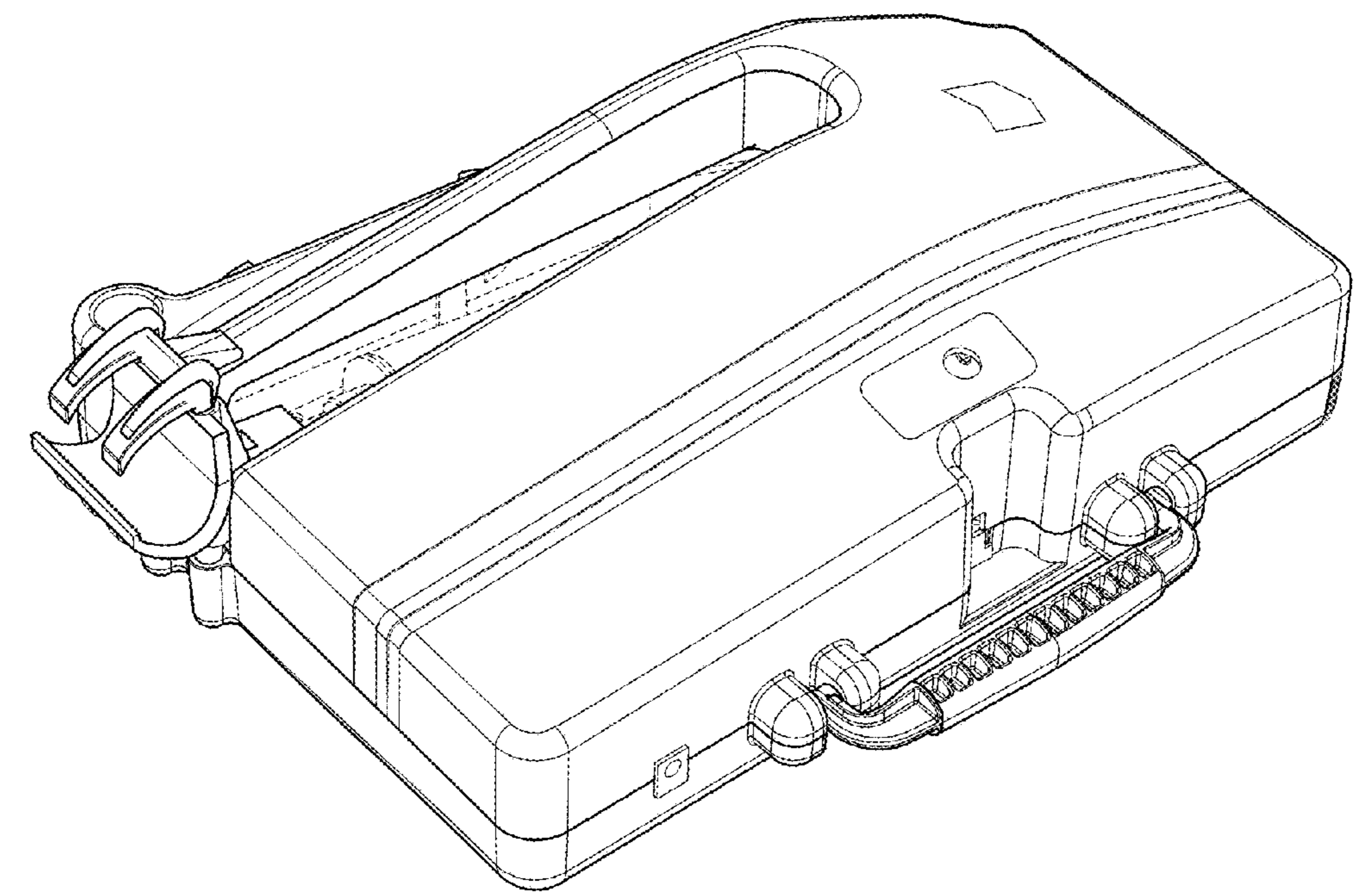


FIG. 1

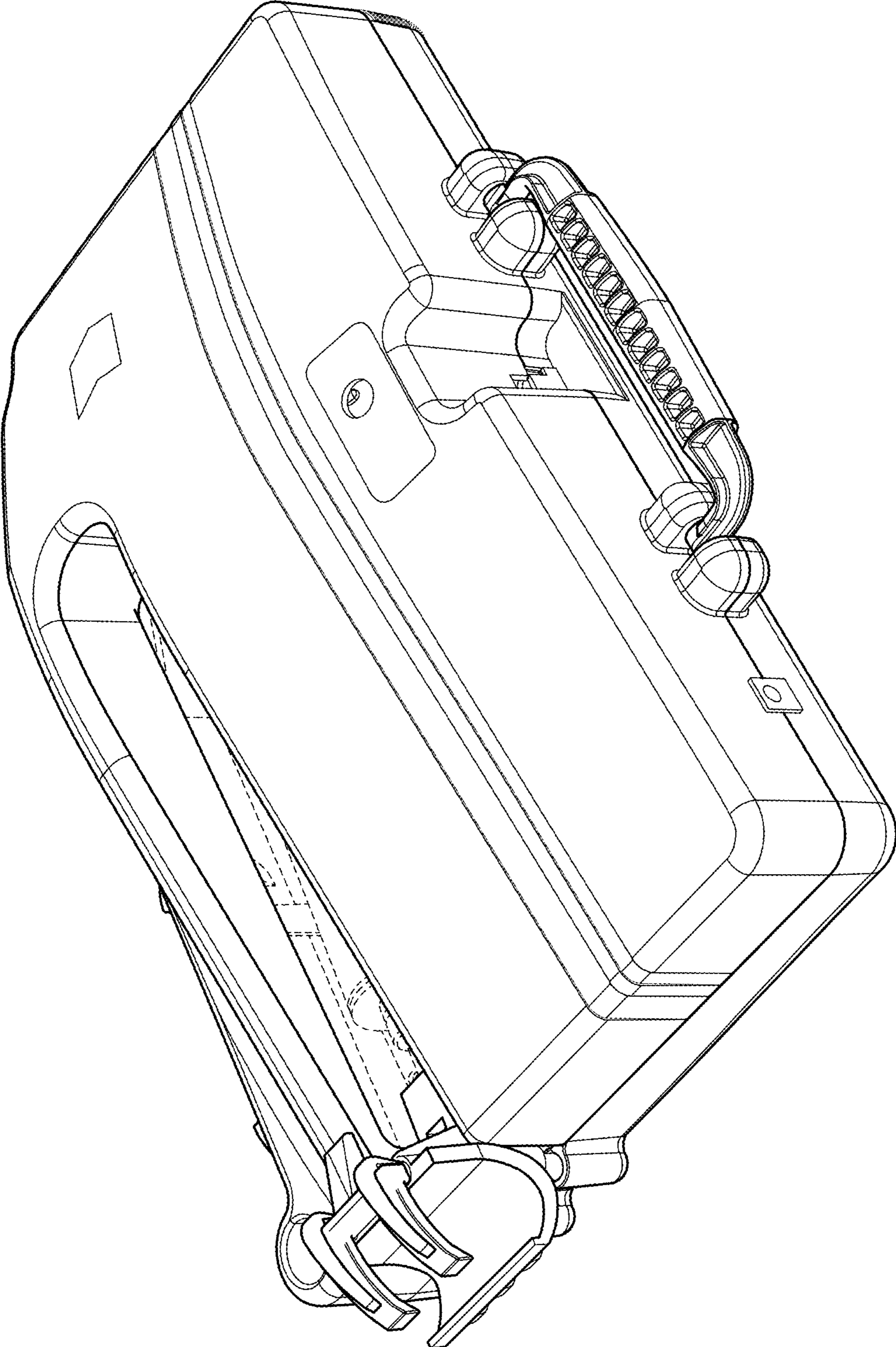


FIG. 2

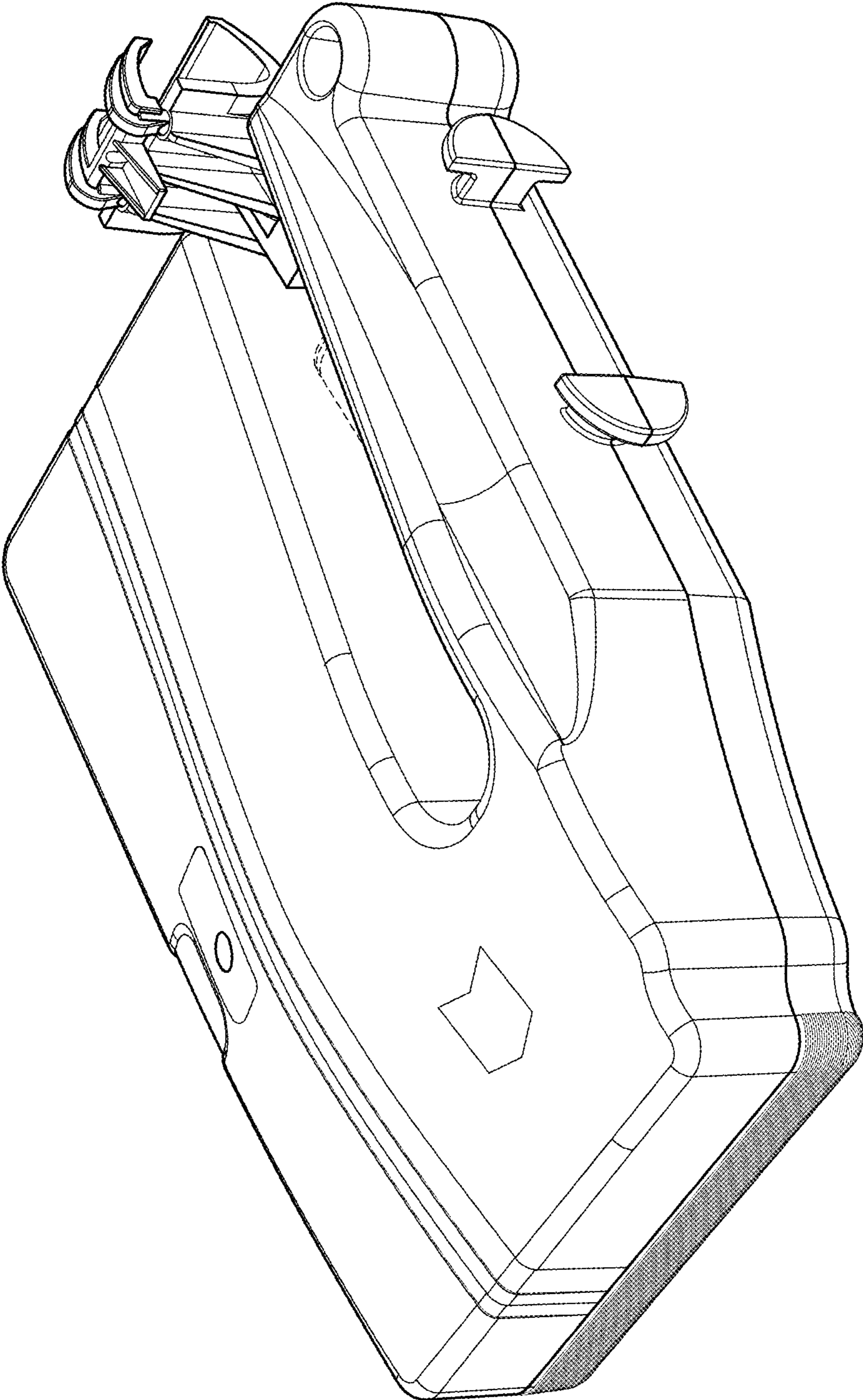


FIG. 3

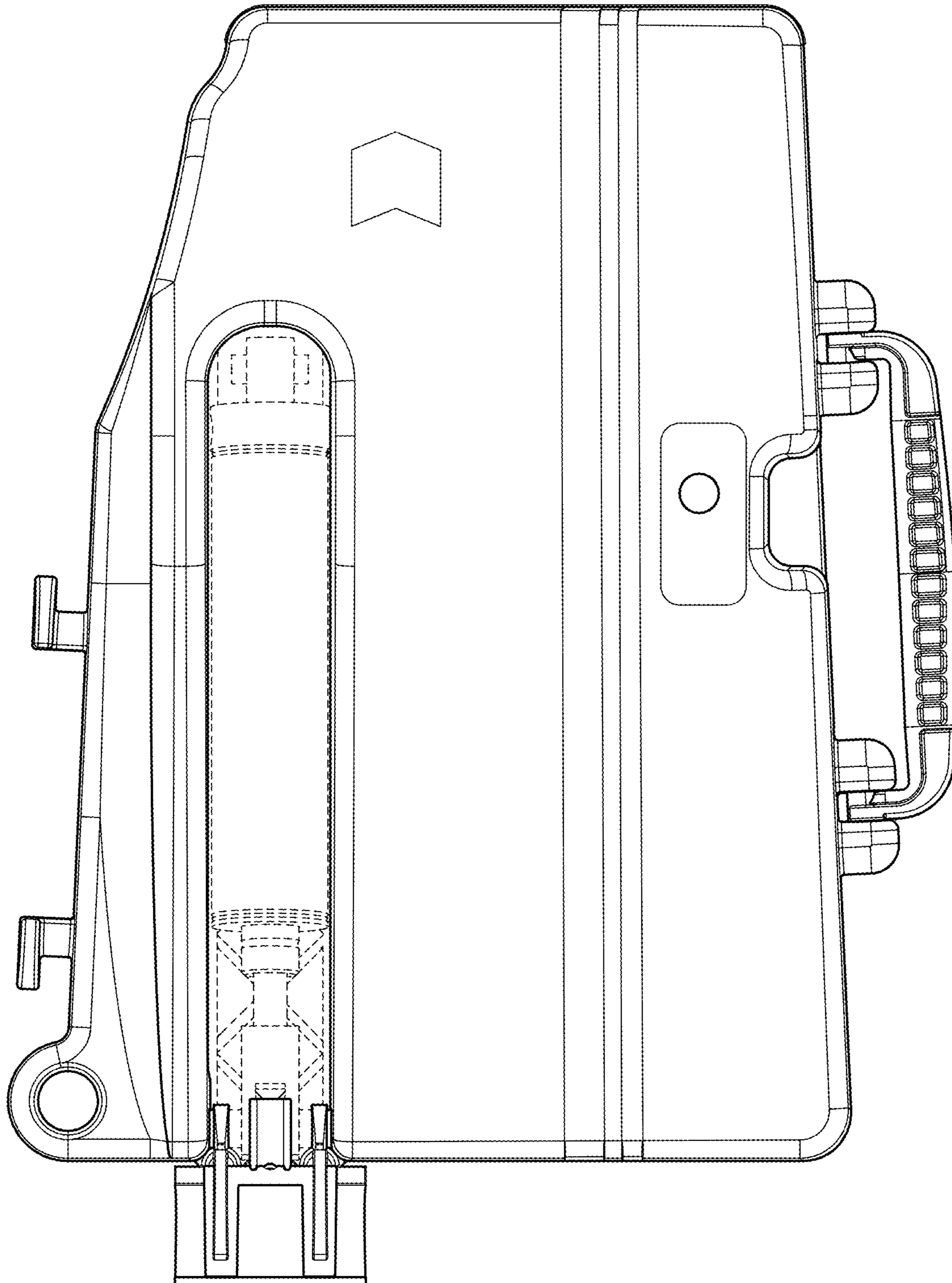


FIG. 4

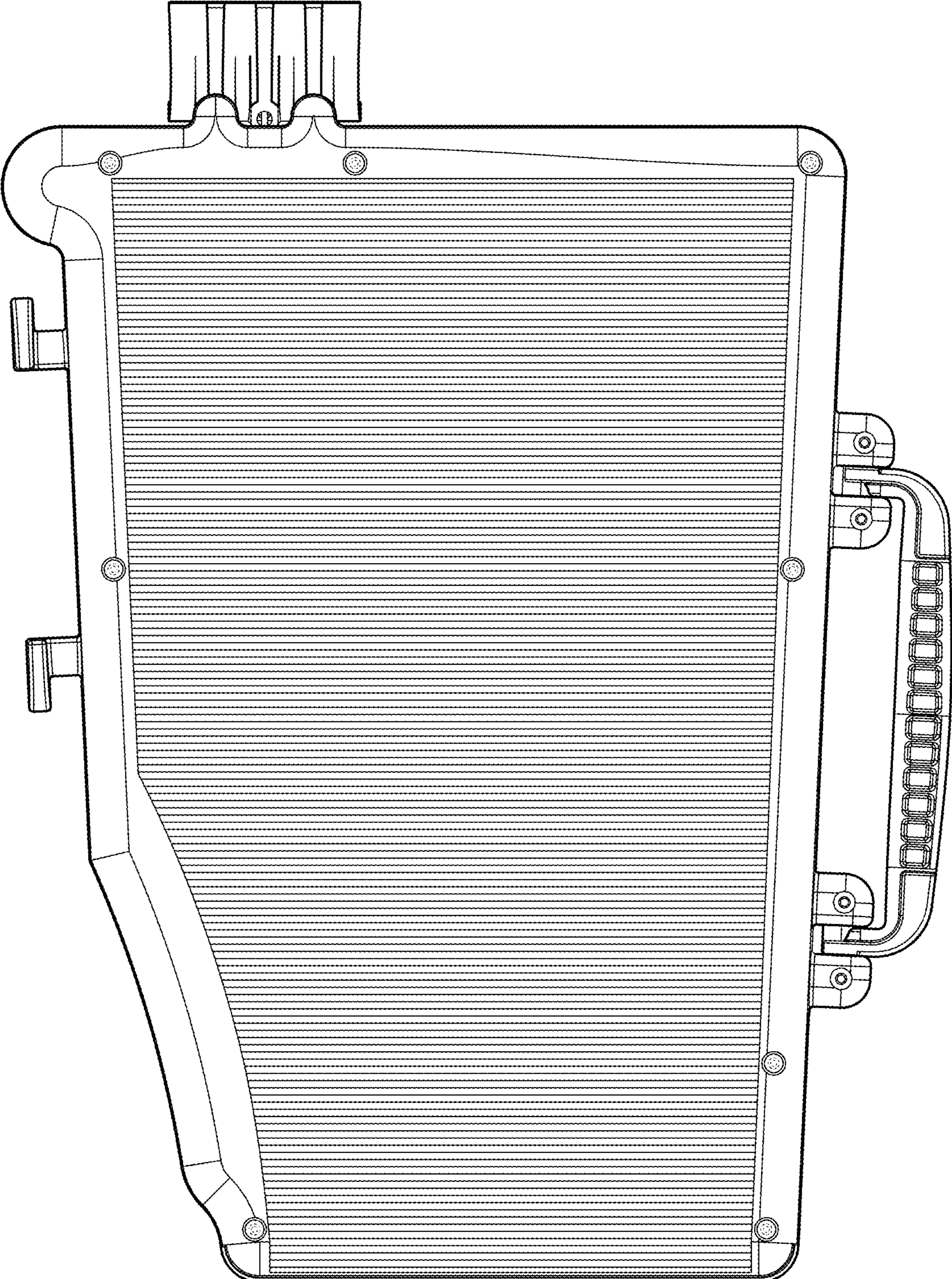


FIG. 5

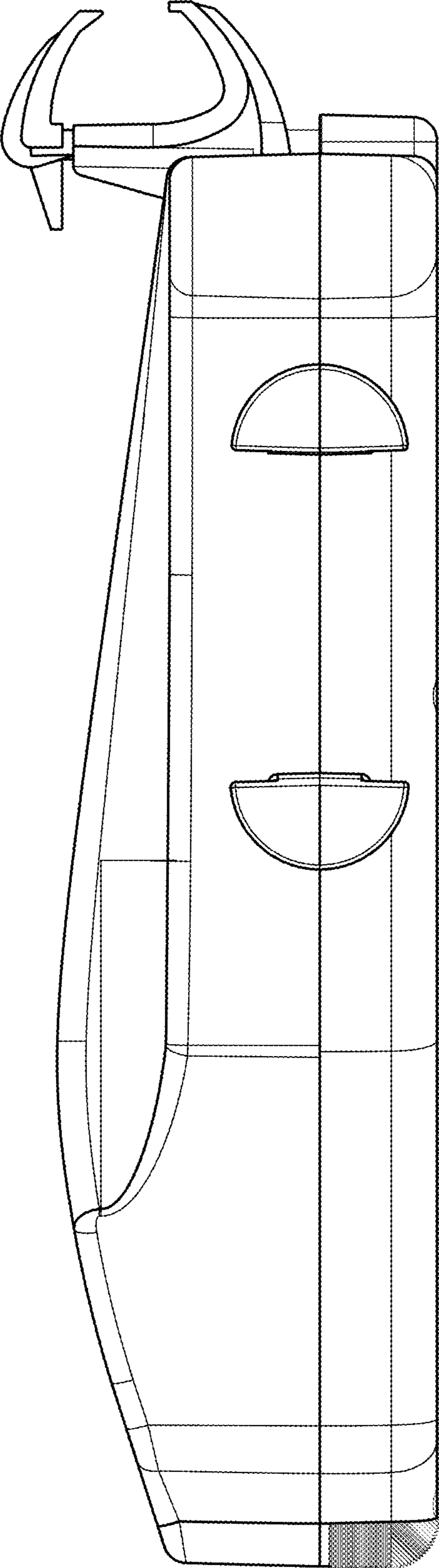


FIG. 6

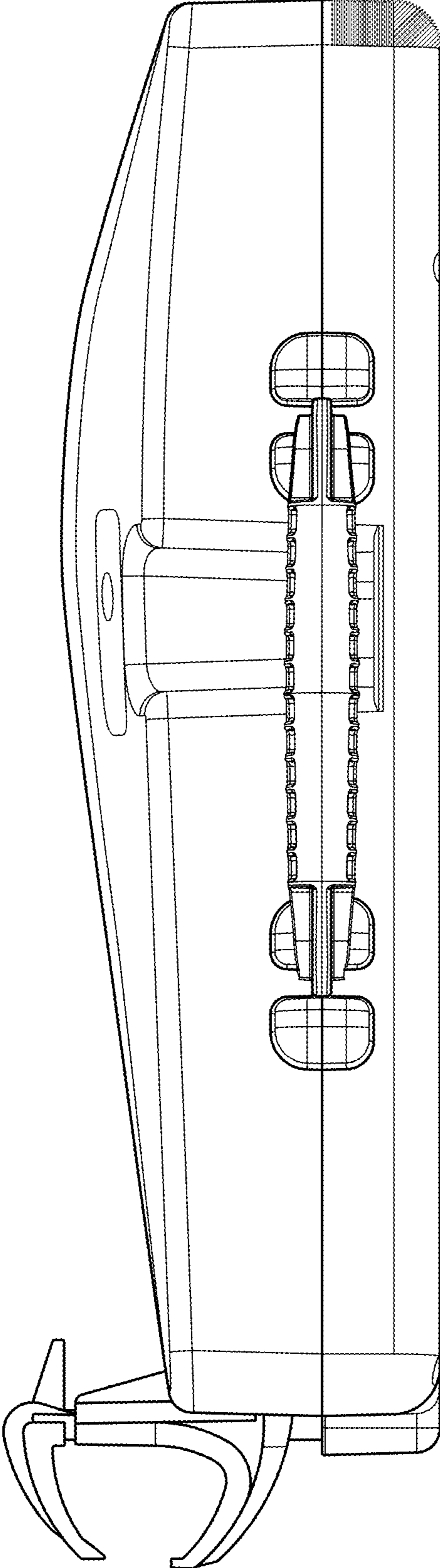


FIG. 7

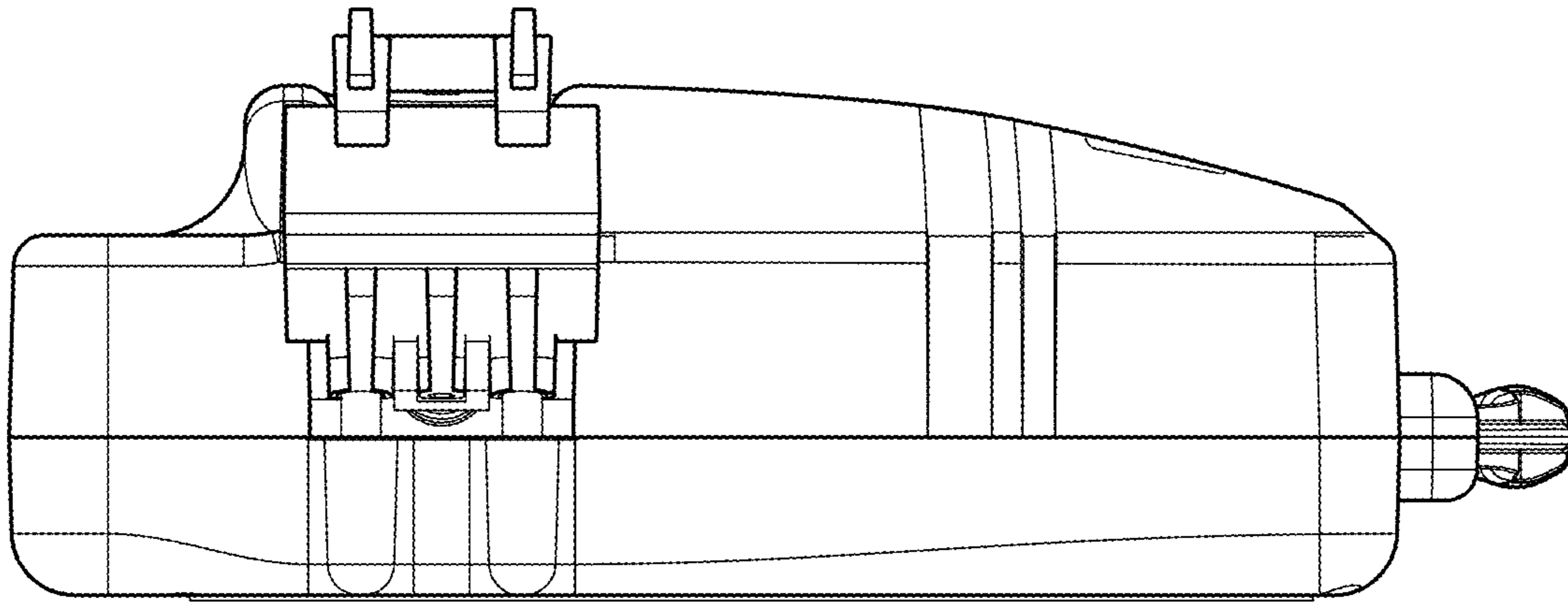


FIG. 8

