

US00D876284S

(12) **United States Design Patent** (10) **Patent No.:** **US D876,284 S**
Chang et al. (45) **Date of Patent:** **** Feb. 25, 2020**

(54) **ALL TERRAIN VEHICLE**
(71) Applicant: **KWANG YANG MOTOR CO., LTD.**,
Kaohsiung (TW)
(72) Inventors: **Chieh-Mao Chang**, Kaohsiung (TW);
Ming-Yi Shen, Kaohsiung (TW)
(73) Assignee: **KWANG YANG MOTOR CO., LTD.**,
Kaohsiung (TW)

D549,135 S * 8/2007 Murakami D12/107
D560,559 S * 1/2008 Yin D12/107
D580,301 S * 11/2008 Schroeder D12/107
D596,533 S * 7/2009 Mikami D12/107
D596,534 S * 7/2009 Tashiro D12/107
D602,401 S * 10/2009 Chao D12/107
D602,812 S * 10/2009 Kinoshita D12/107
D636,707 S * 4/2011 Bracy D12/107
D670,616 S * 11/2012 Hobo D12/107
D685,680 S * 7/2013 Takeda D12/107
D685,681 S * 7/2013 Takeda D12/107
D720,258 S * 12/2014 Takezaki D12/107
D722,537 S * 2/2015 Hsieh D12/107
D762,146 S * 7/2016 Takeda D12/107
D805,000 S * 12/2017 Umemoto D12/107

(**) Term: **15 Years**

(21) Appl. No.: **29/667,805**

* cited by examiner

(22) Filed: **Oct. 24, 2018**

(51) **LOC (12) Cl.** **12-11**

Primary Examiner — Michelle E. Wilson

(52) **U.S. Cl.**
USPC **D12/107**

Assistant Examiner — Clese Moore, Jr.

(58) **Field of Classification Search**
USPC D12/87, 86, 107, 110, 1, 3, 4, 14
CPC B60G 2300/07; B60G 2300/12; B62D
21/183; B62K 5/01; B62K 5/003
See application file for complete search history.

(74) *Attorney, Agent, or Firm* — Leong C. Lei

(57) **CLAIM**

The ornamental design for an all terrain vehicle, as shown and described.

DESCRIPTION

(56) **References Cited**

U.S. PATENT DOCUMENTS

D458,562 S * 6/2002 Kalkok D12/107
D485,212 S * 1/2004 Wu D12/107
D485,213 S * 1/2004 Wu D12/107
D491,108 S * 6/2004 Tamura D12/107
D515,978 S * 2/2006 Luh D12/107
D516,960 S * 3/2006 Luh D12/107
D517,450 S * 3/2006 Wu D12/107
D522,410 S * 6/2006 Lin D12/107
D529,413 S * 10/2006 Basset D12/107
D529,840 S * 10/2006 Sugawara D12/107
D534,100 S * 12/2006 Kinoshita D12/107

FIG. 1 is a perspective view of an all terrain vehicle showing my new design;

FIG. 2 is a front elevational view thereof;

FIG. 3 is a rear elevational view thereof;

FIG. 4 is a left side elevational view thereof;

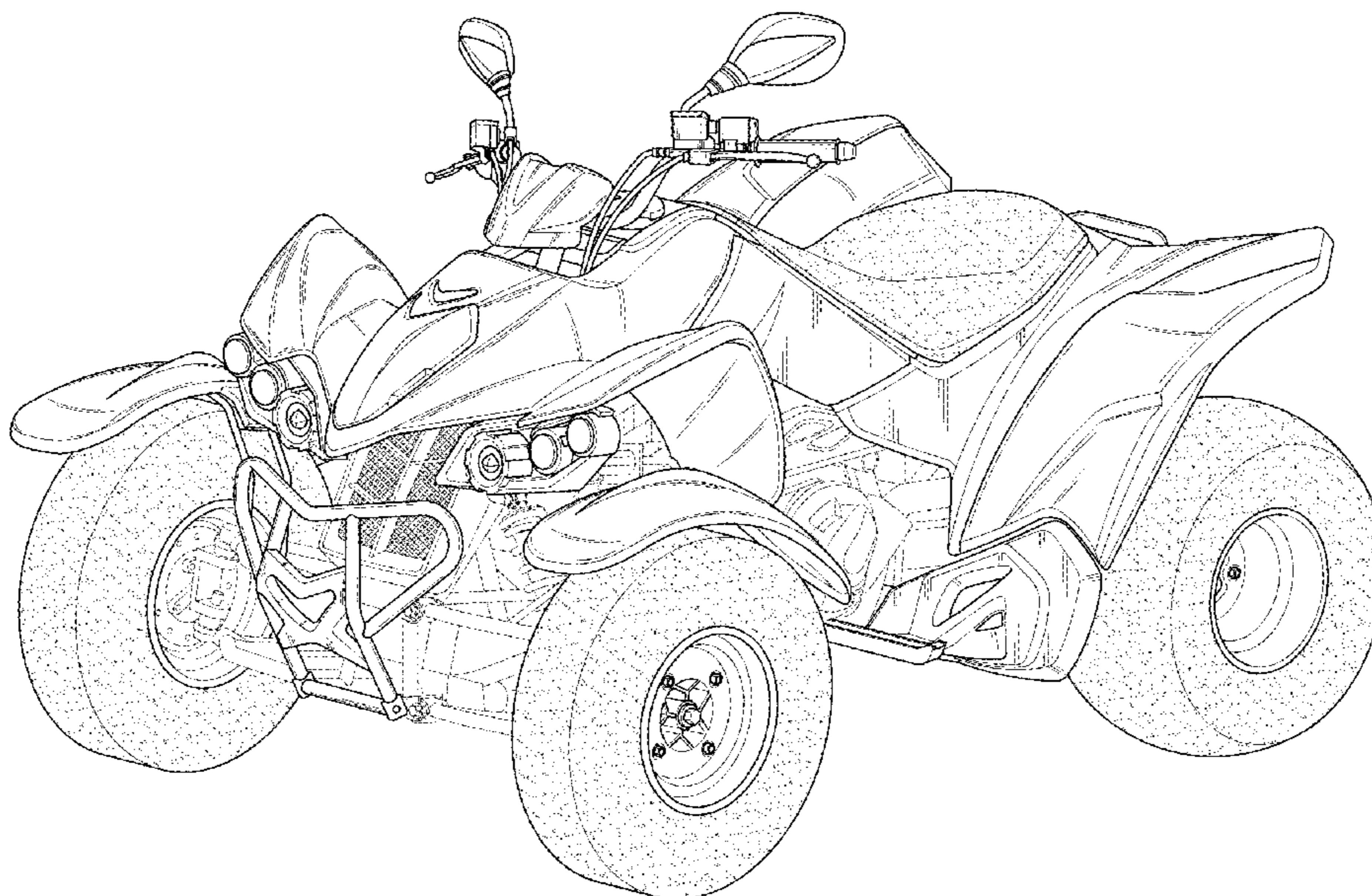
FIG. 5 is a right side elevational view thereof;

FIG. 6 is a top plan view thereof; and,

FIG. 7 is a bottom plan view thereof.

The portions shown in broken lines form no part of the claimed design.

1 Claim, 7 Drawing Sheets



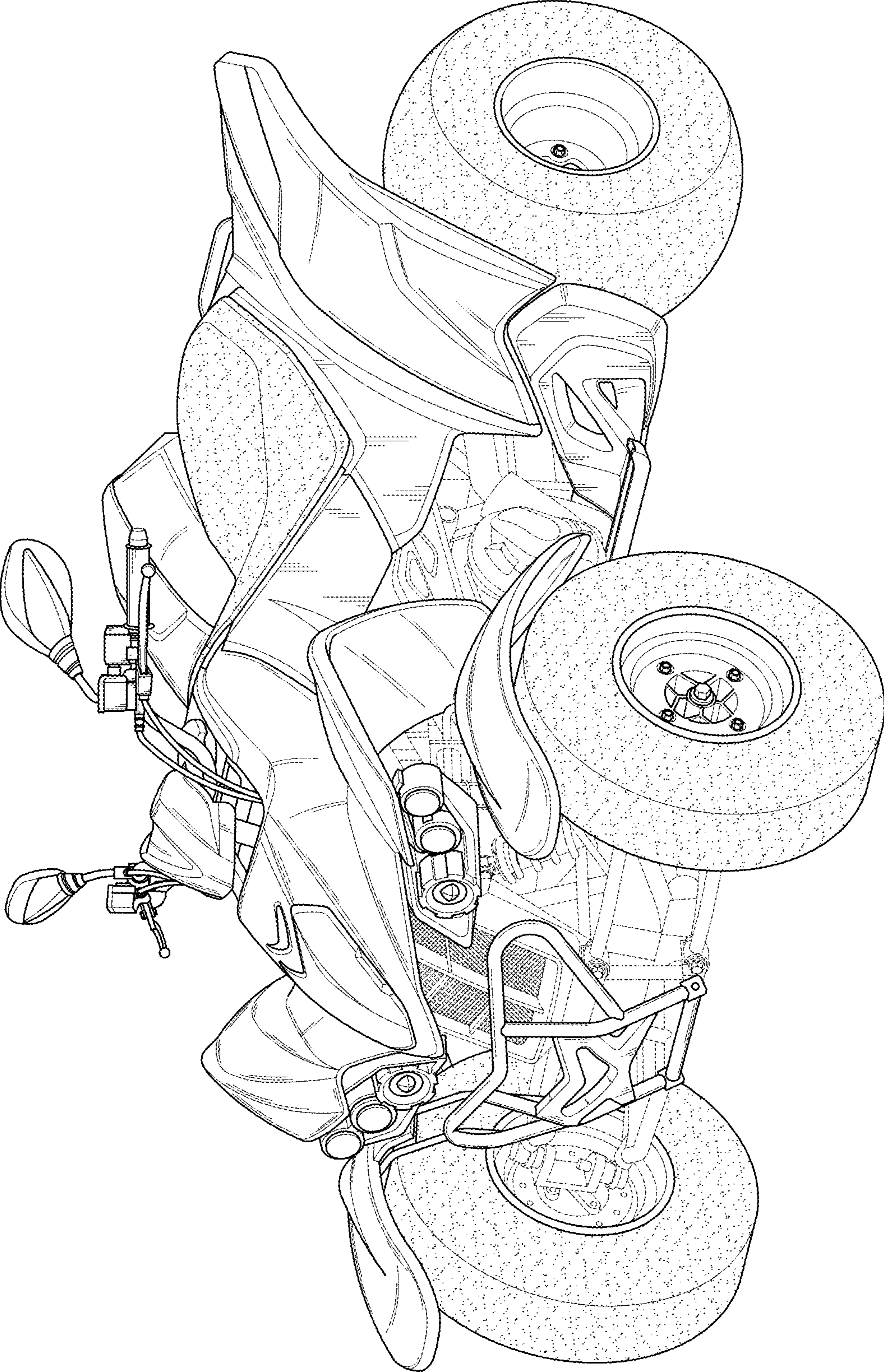


FIG.1

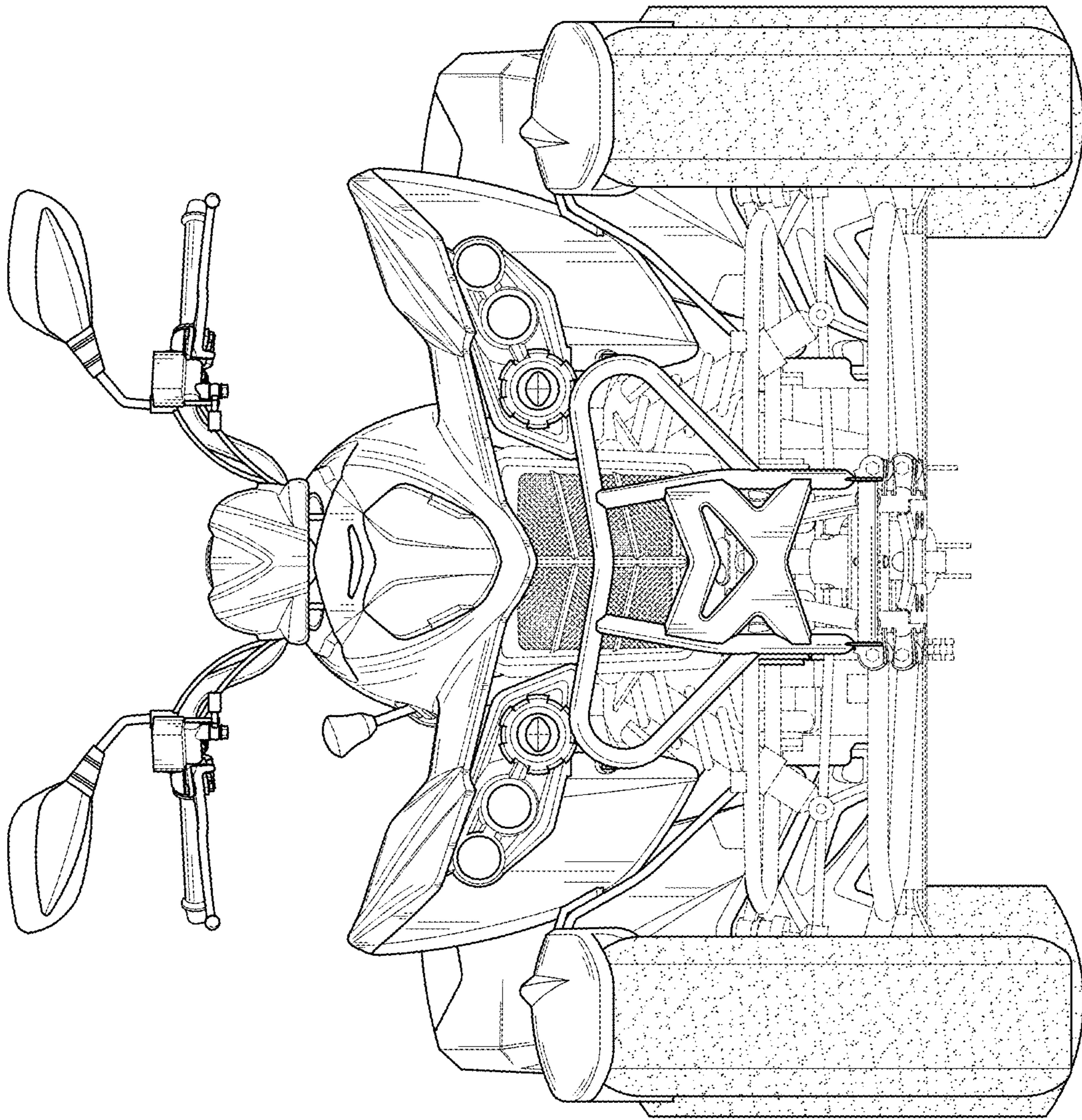


FIG.2

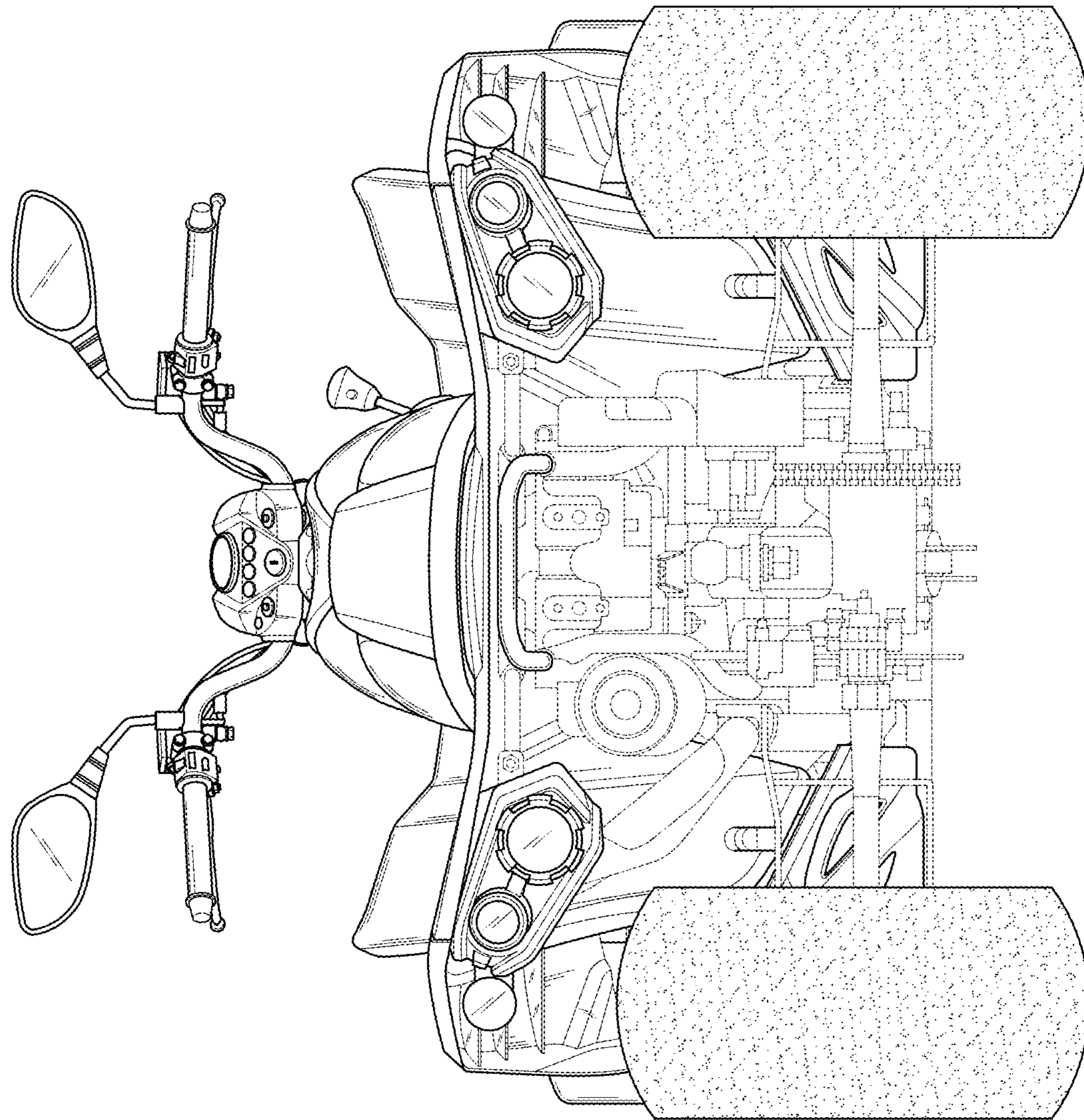


FIG.3

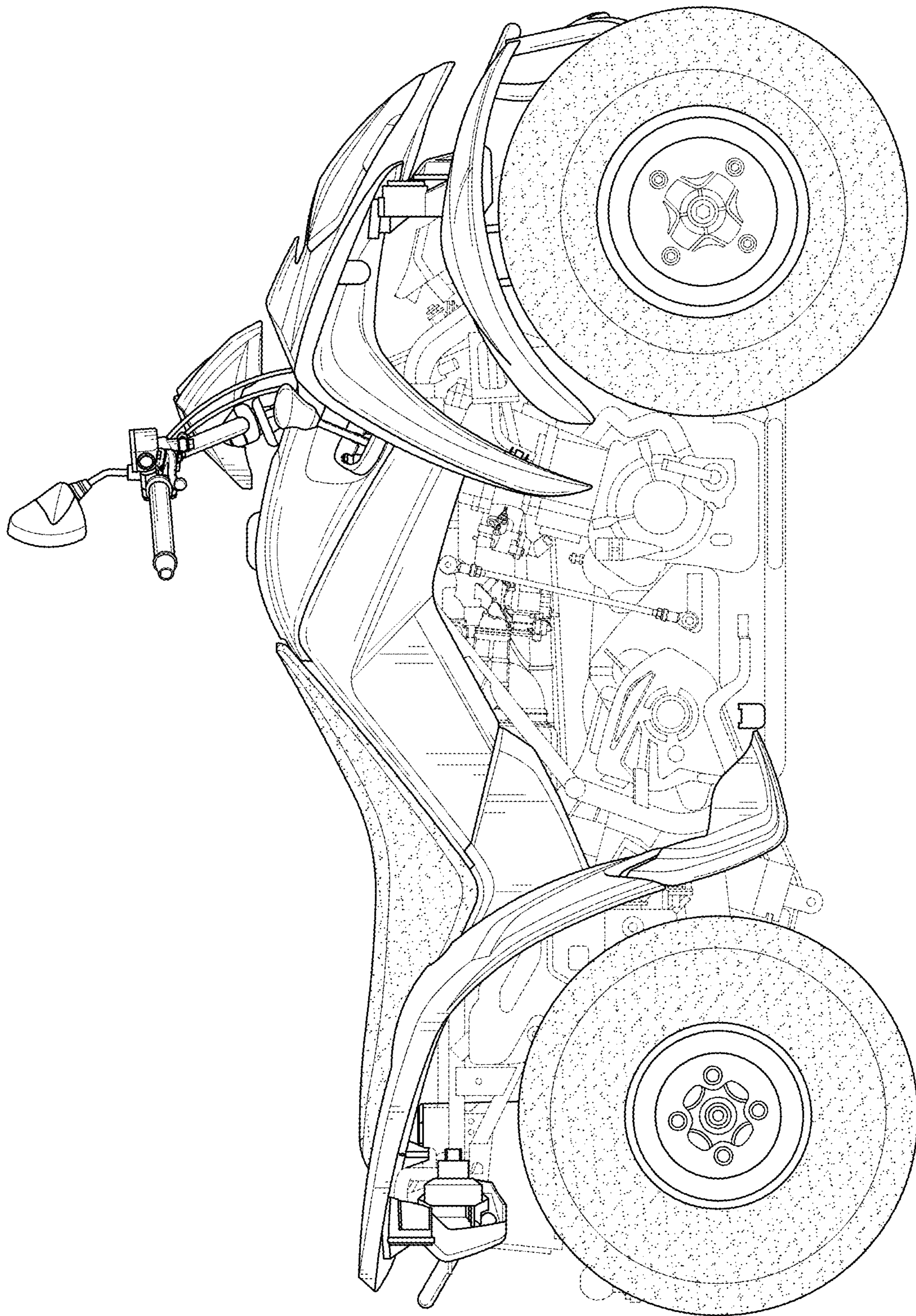


FIG.4

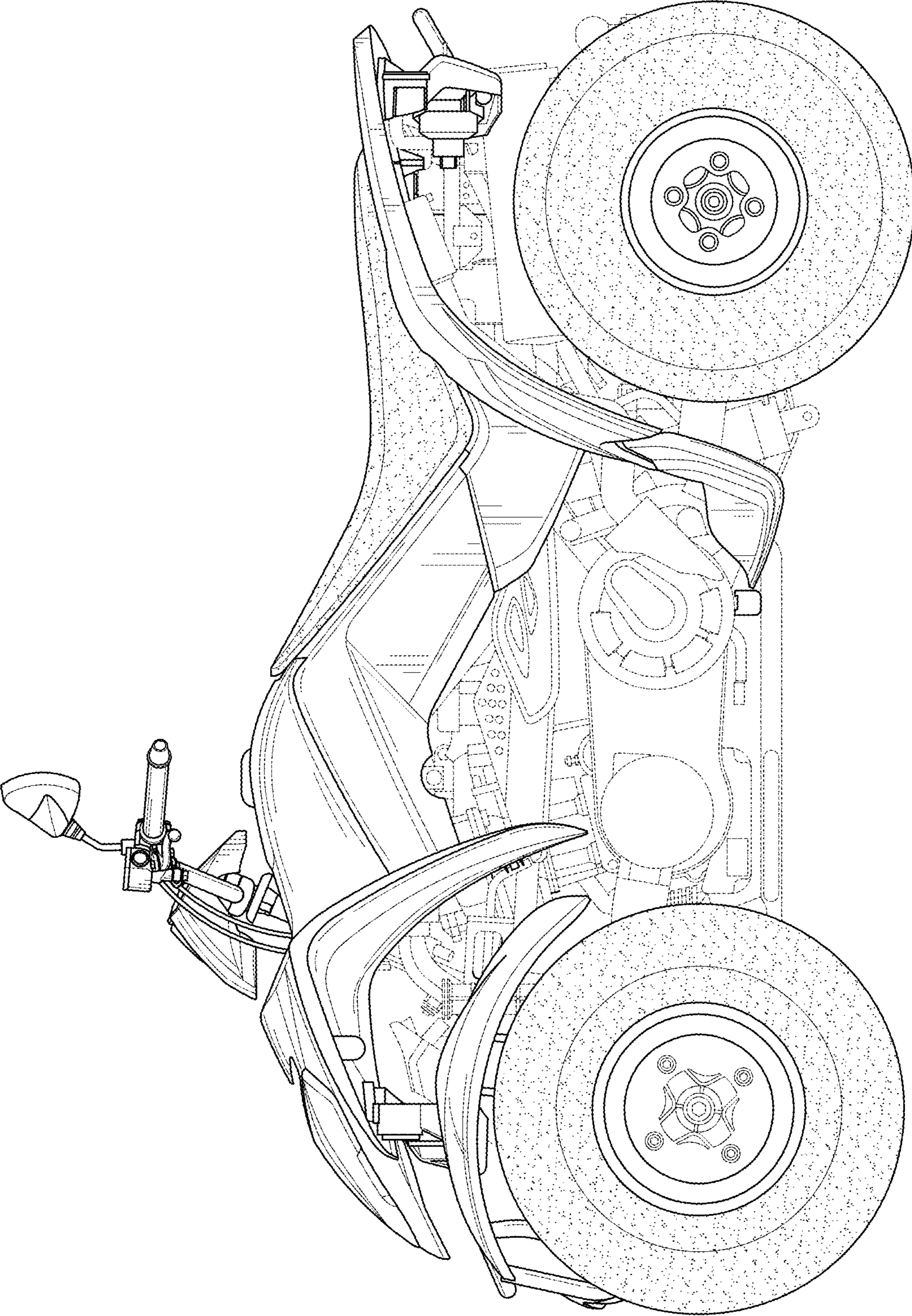


FIG.5

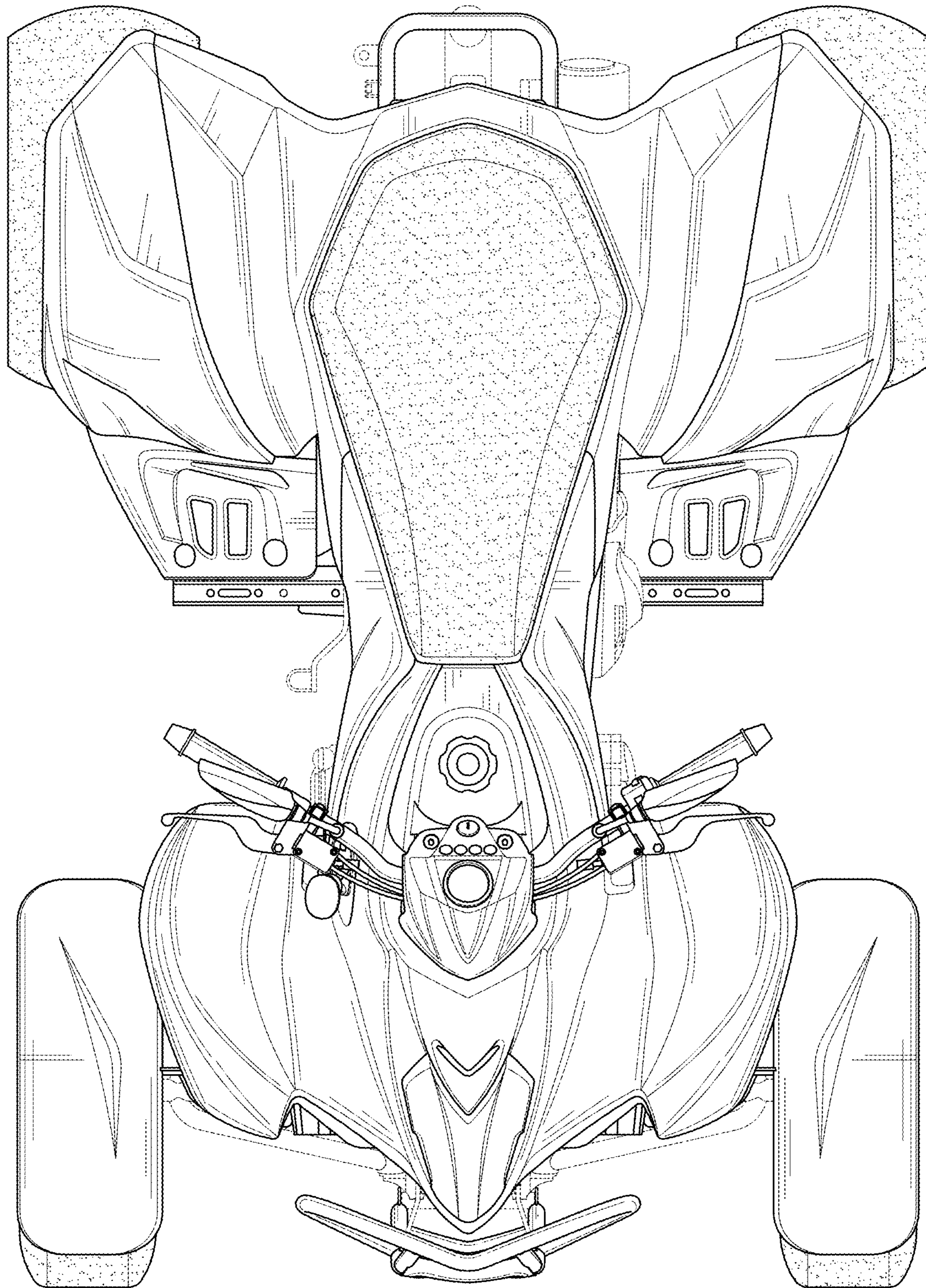


FIG.6

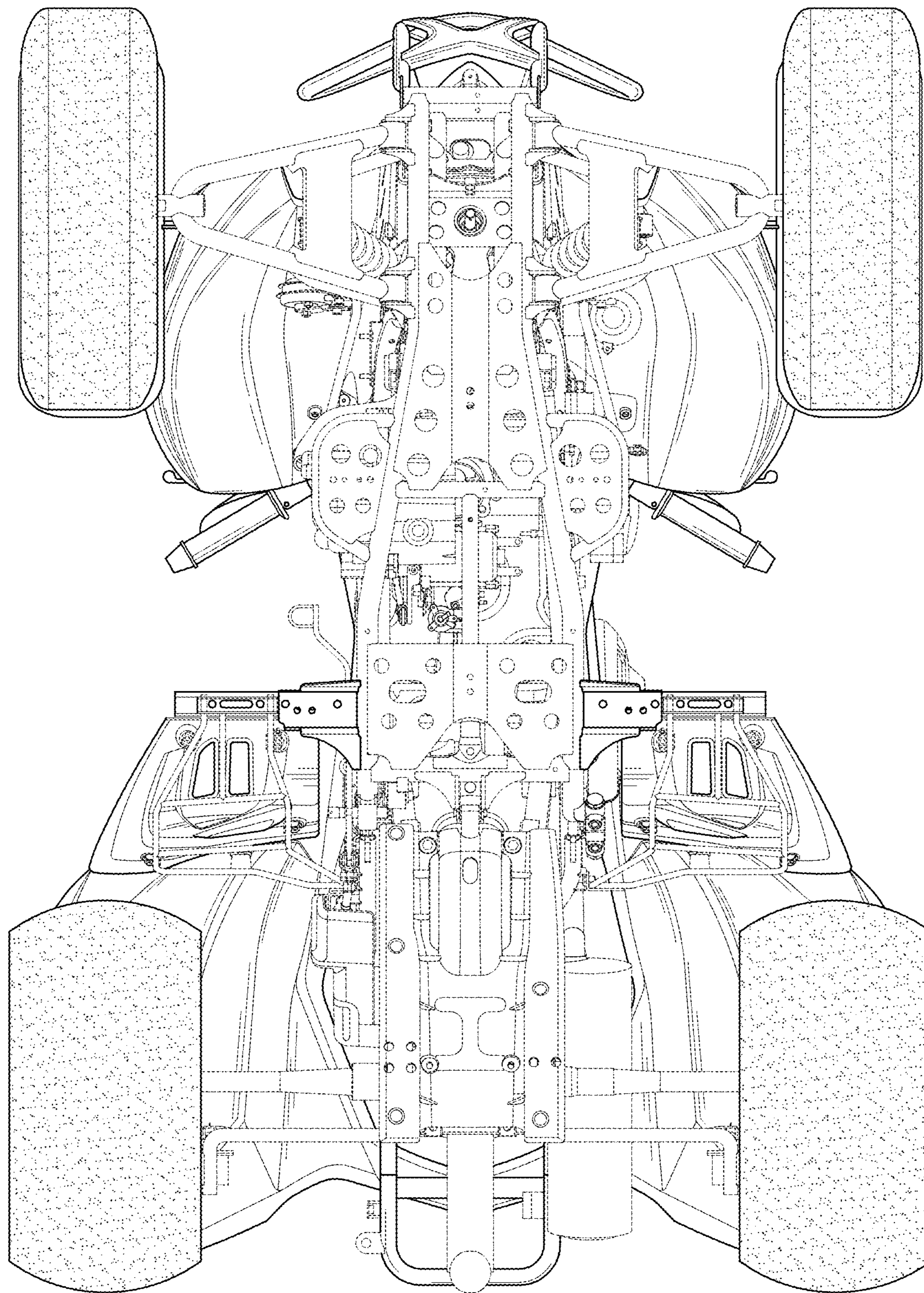


FIG.7