



US00D876282S

(12) **United States Design Patent** (10) **Patent No.:** **US D876,282 S**  
**Reinhart et al.** (45) **Date of Patent:** **\*\* Feb. 25, 2020**

(54) **HEAD FOR POWERED TONGUE JACK**  
(71) Applicant: **Rah Technologies, LLC**, Palm Beach Gardens, FL (US)  
(72) Inventors: **Carl Reinhart**, Palm Beach Gardens, FL (US); **Brandon J Ambris**, Hudsonville, MI (US); **Steve Z Huang**, Irvine, CA (US)

D390,503 S \* 2/1998 Gleason ..... D12/106  
D653,834 S \* 2/2012 Ahrenholtz ..... D34/31  
D709,102 S \* 7/2014 Tokuda ..... D15/28  
D722,415 S \* 2/2015 Castagnola ..... D34/31  
D756,588 S \* 5/2016 Angel ..... D34/31  
D790,796 S \* 6/2017 Alanko ..... D34/31  
D844,514 S \* 4/2019 Wagner ..... D12/179  
D862,029 S \* 10/2019 Blakely ..... D34/35  
2011/0230085 A1 \* 9/2011 Castagnola ..... B60D 1/62  
439/528  
2018/0312143 A1 \* 11/2018 Evans ..... B60S 9/08

(\*\*) Term: **15 Years**

\* cited by examiner

(21) Appl. No.: **29/630,937**

*Primary Examiner* — Katrina A Betton

(22) Filed: **Dec. 23, 2017**

(74) *Attorney, Agent, or Firm* — ScienBiziP, P.C.

**Related U.S. Application Data**

(63) Continuation of application No. 29/629,540, filed on Dec. 13, 2017.

(51) **LOC (12) Cl.** ..... **12-16**

(52) **U.S. Cl.**  
USPC ..... **D12/106; D34/31**

(58) **Field of Classification Search**  
USPC ..... D12/100–105, 19, 129, 111–112, 162; D34/31, 21–26, 12, 16–19  
CPC . B62D 35/02; B62D 35/00; B60P 3/10; B60P 3/1033; A62B 3/005  
See application file for complete search history.

(56) **References Cited**

**U.S. PATENT DOCUMENTS**

D298,676 S \* 11/1988 Chambers ..... D12/106  
D327,969 S \* 7/1992 Budrow ..... D34/31  
D349,800 S \* 8/1994 Chambers ..... D12/106

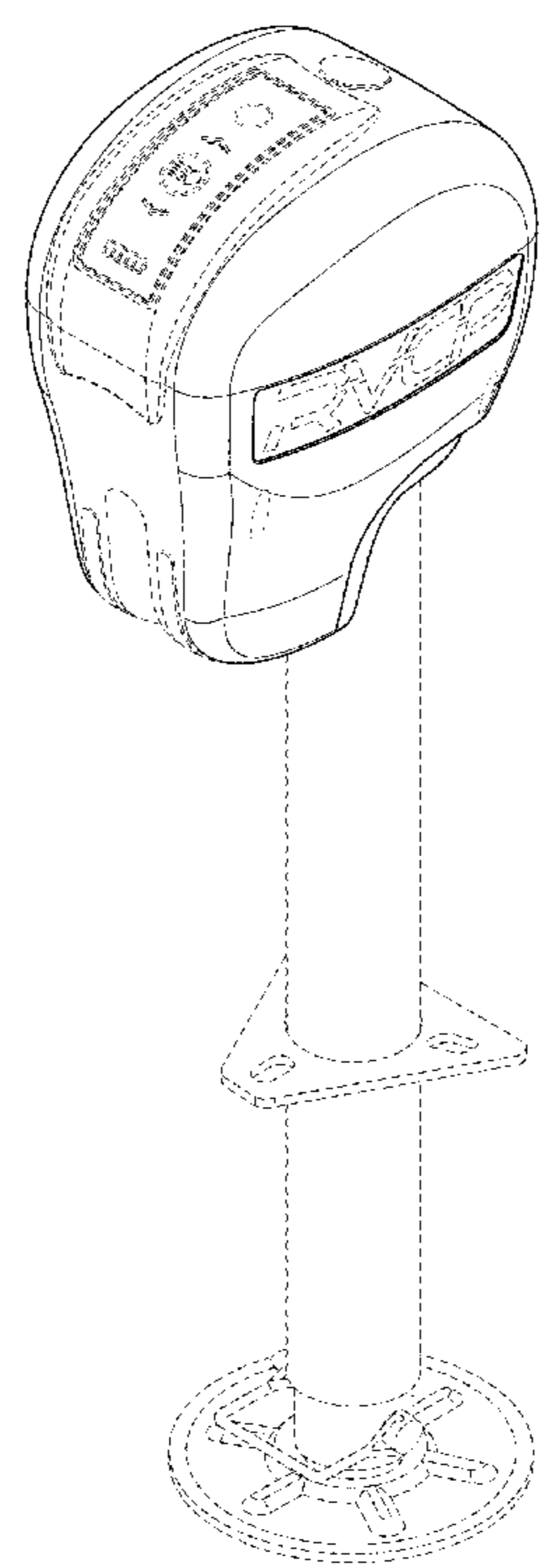
(57) **CLAIM**

The ornamental design for a head for powered tongue jack, as shown and described.

**DESCRIPTION**

FIG. 1 is a perspective view of a head for powered tongue jack showing our new design;  
FIG. 2 is a side elevation view thereof;  
FIG. 3 is a perspective view thereof;  
FIG. 4 is a rear elevation view thereof;  
FIG. 5 is a perspective view thereof;  
FIG. 6 is a side elevation view thereof;  
FIG. 7 is a perspective view thereof;  
FIG. 8 is a front elevation view thereof;  
FIG. 9 is a top plan view thereof; and,  
FIG. 10 is a bottom plan view thereof.  
In the drawings, the broken lines depict portions of the article that form no part of the claimed design.

**1 Claim, 10 Drawing Sheets**



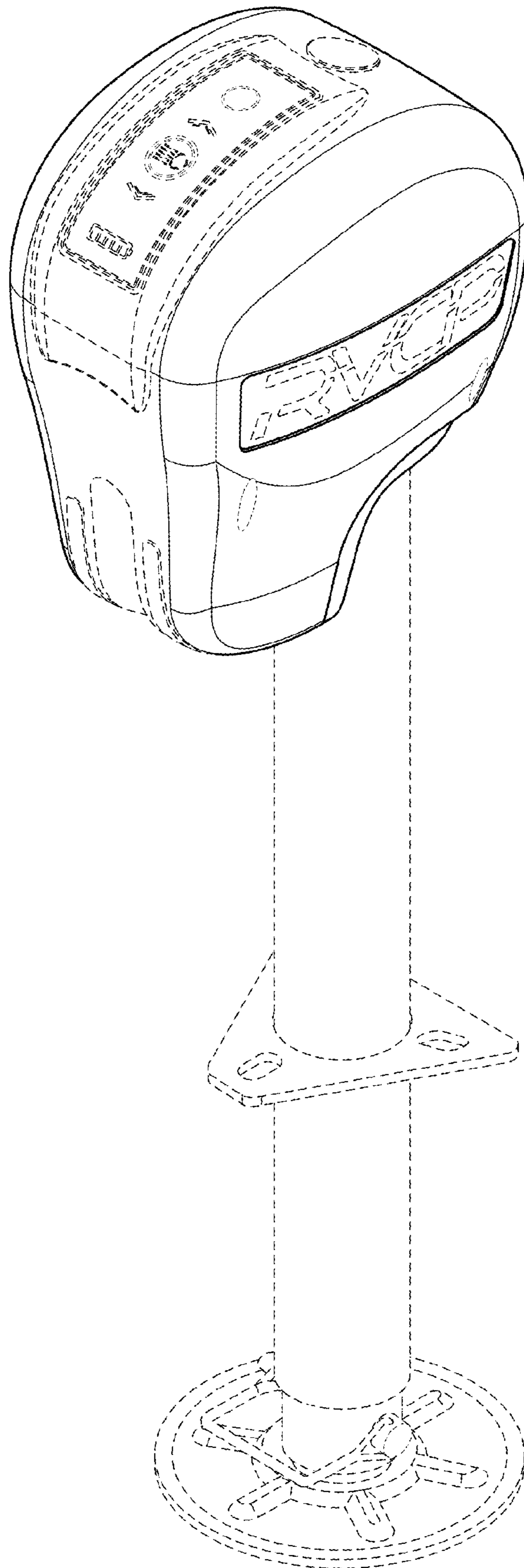


FIG. 1

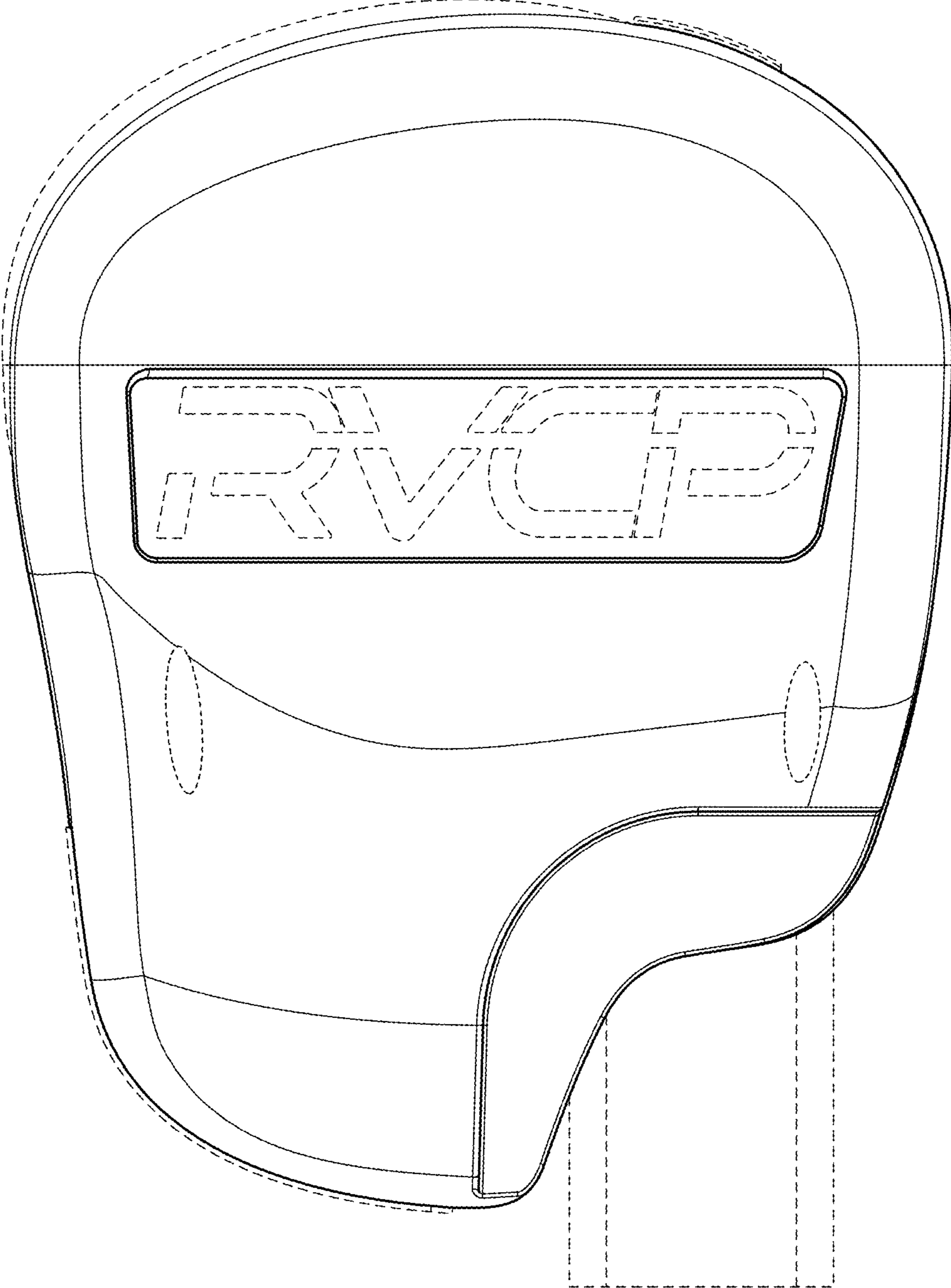


FIG. 2

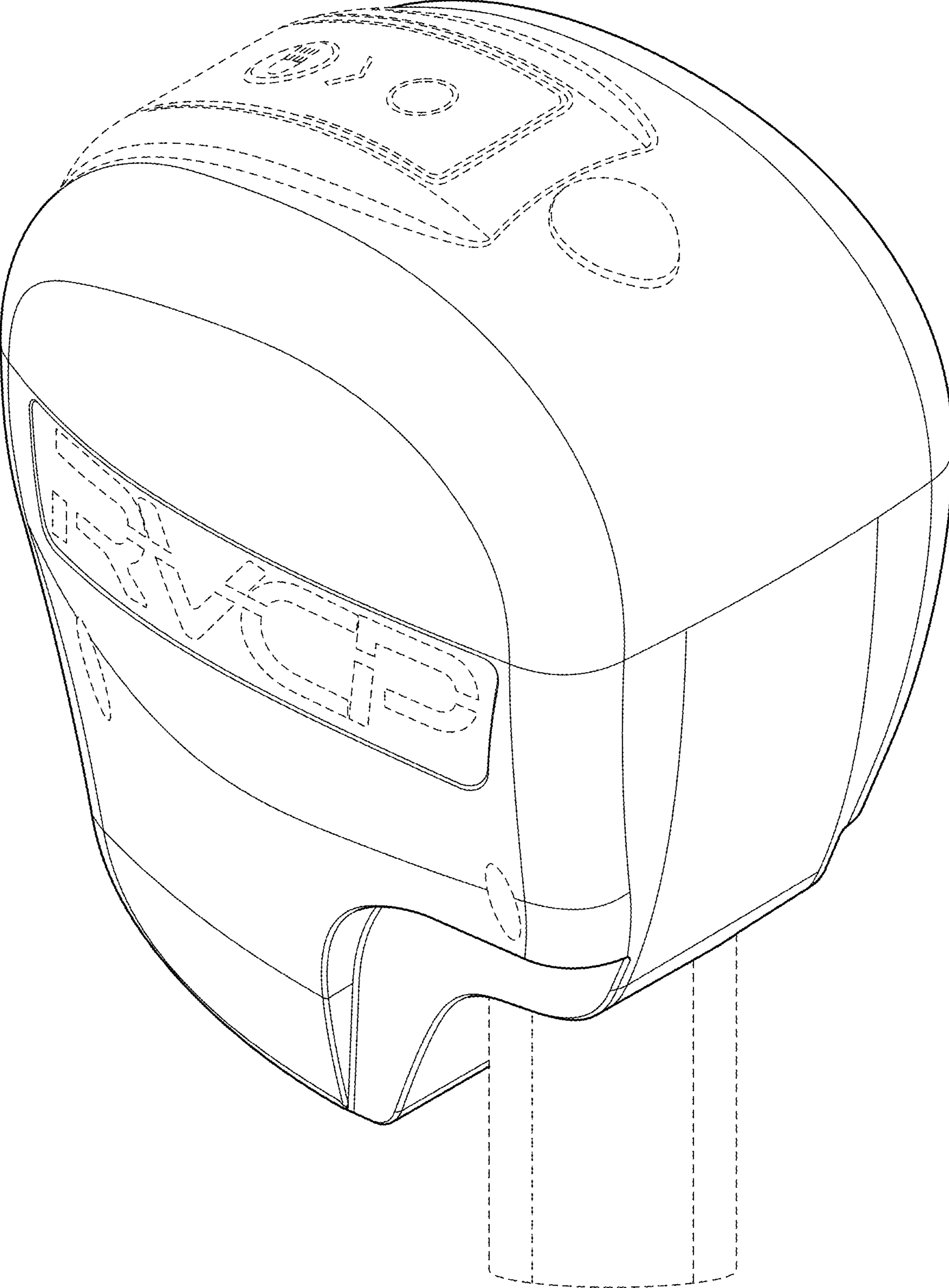


FIG. 3

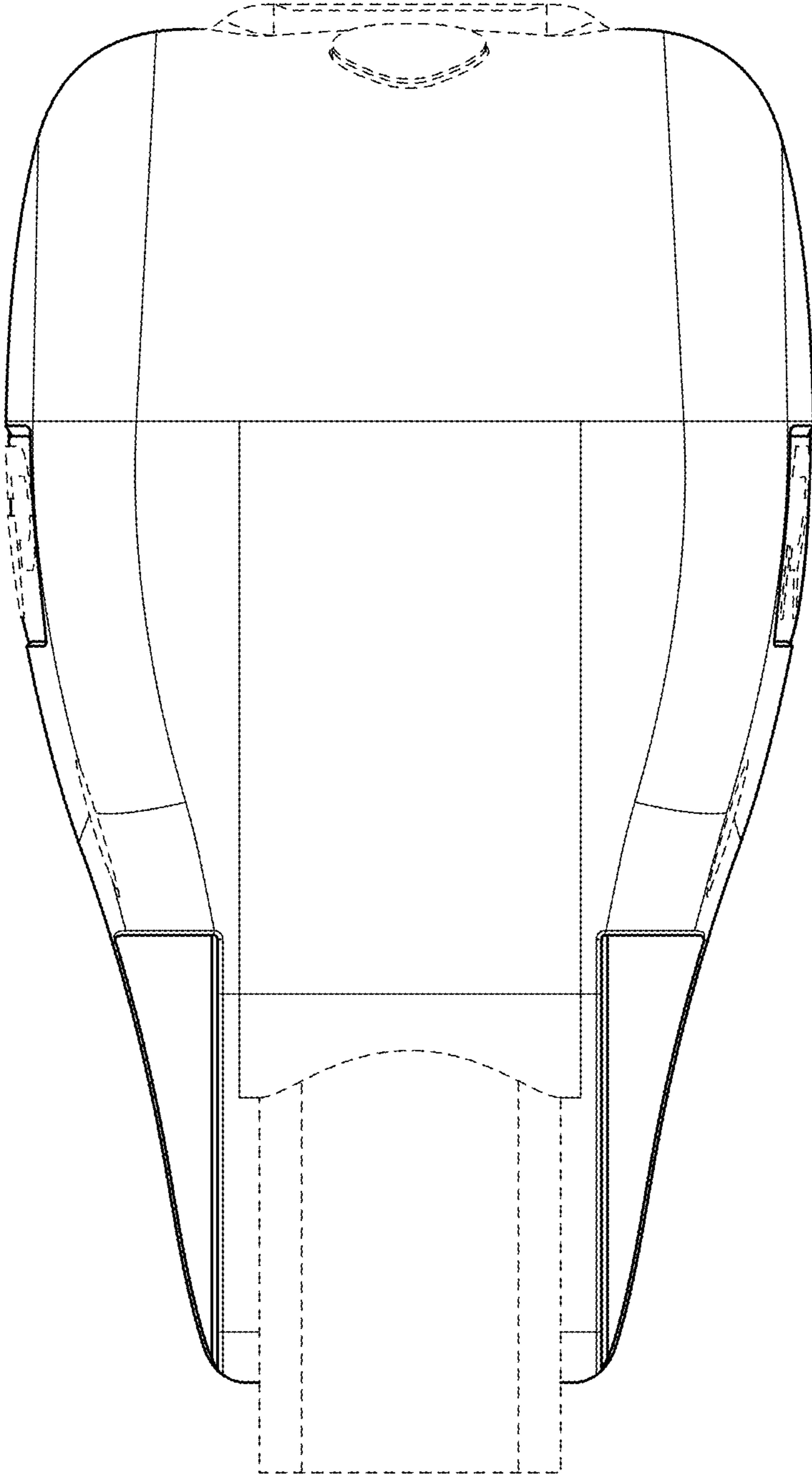


FIG. 4

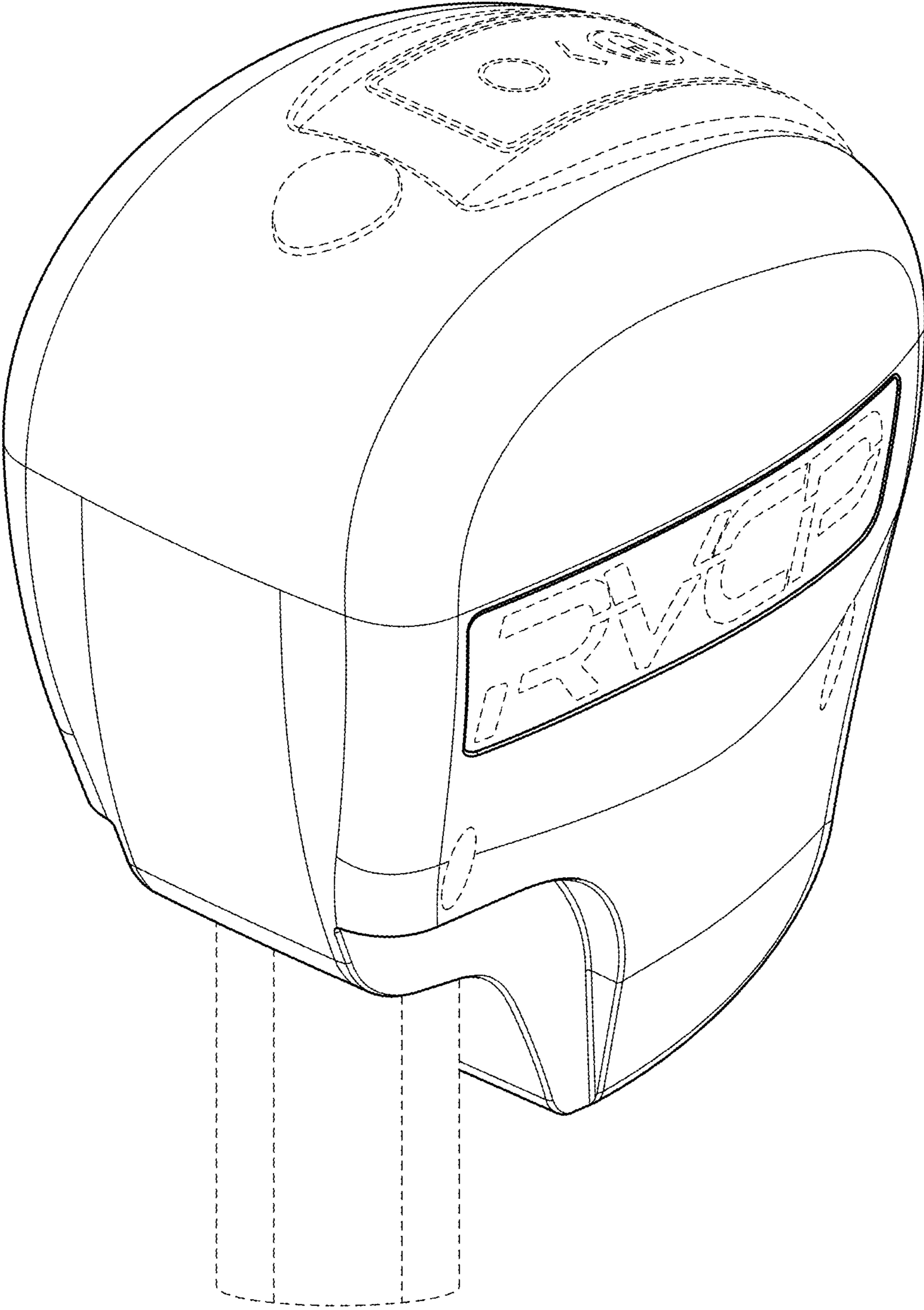


FIG. 5

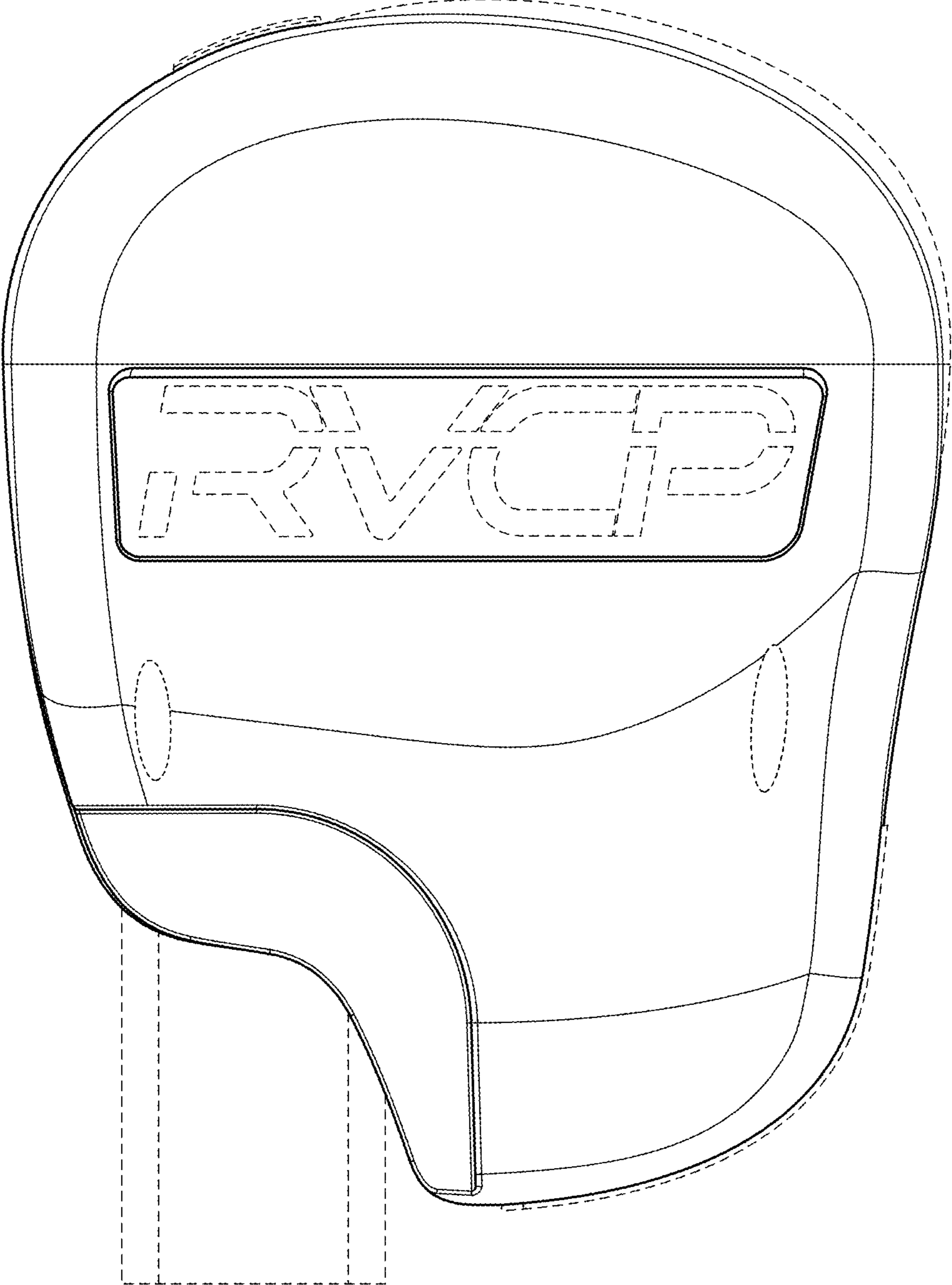


FIG. 6

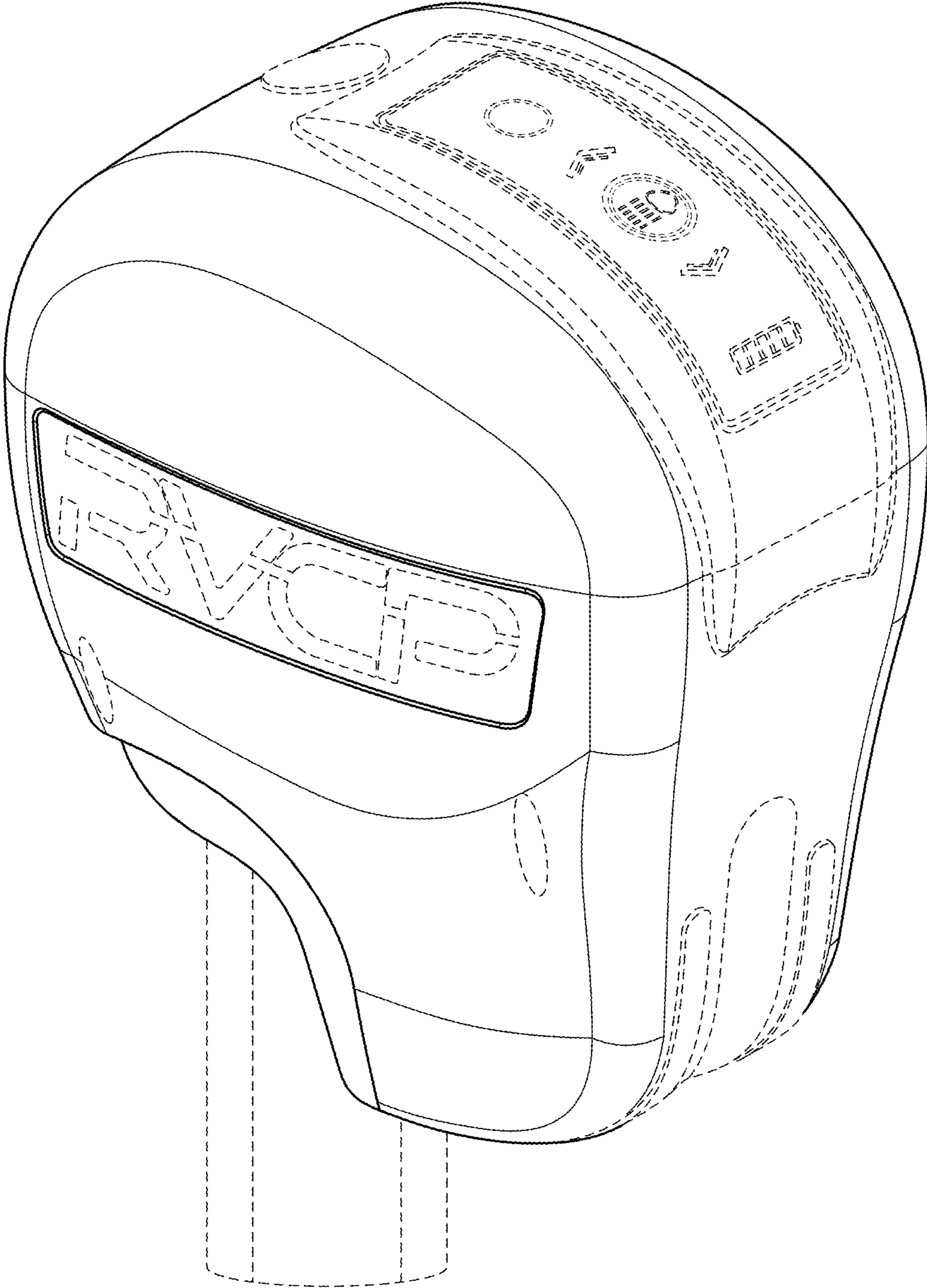


FIG. 7



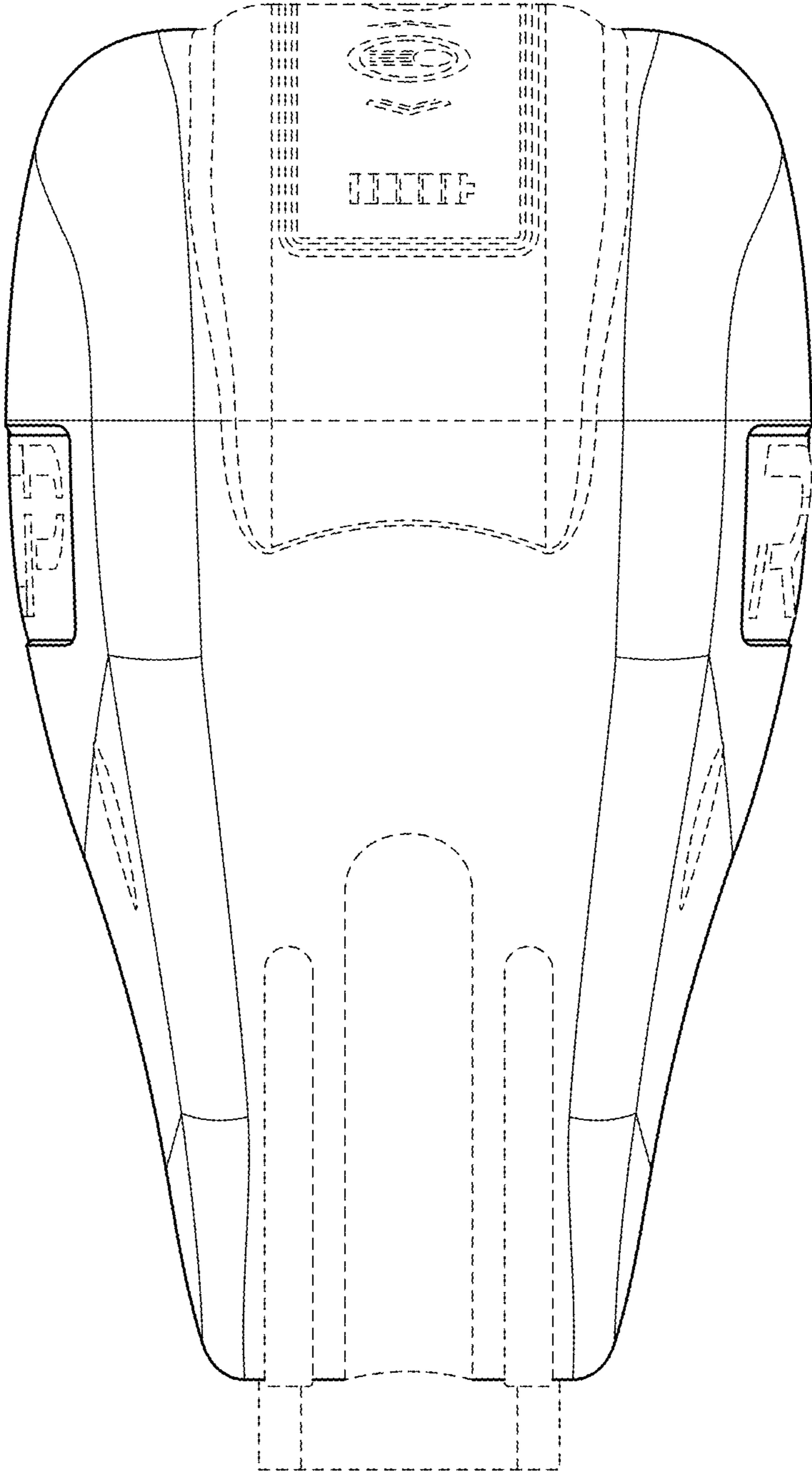


FIG. 8

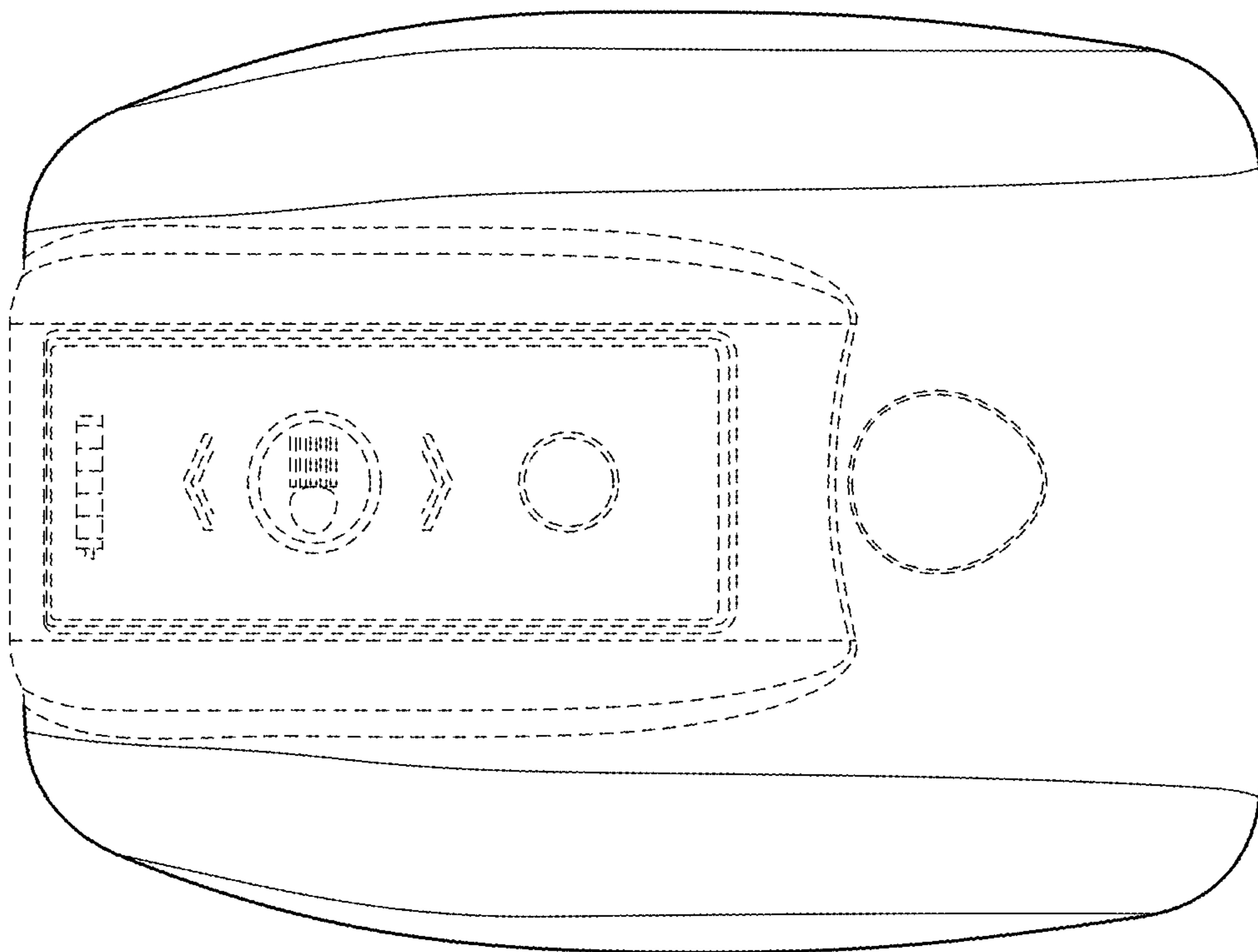


FIG. 9

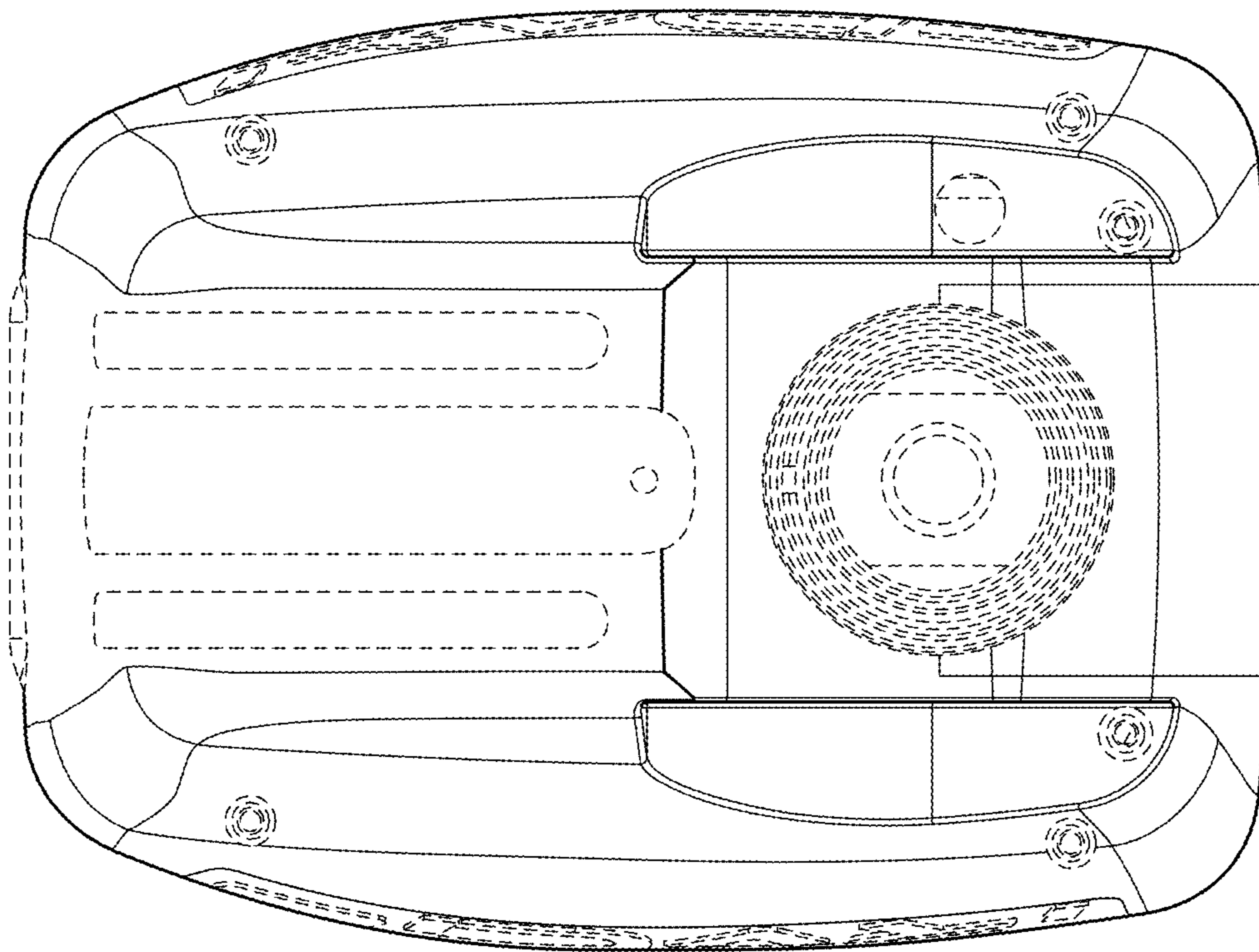


FIG. 10