



US00D876281S

(12) **United States Design Patent**
De Roeck

(10) **Patent No.:** **US D876,281 S**

(45) **Date of Patent:** **** Feb. 25, 2020**

(54) **TRAILER FITTING**

(71) Applicant: **The Chillafish Company, N.V.**,
Antwerp (BE)

(72) Inventor: **Sebastian Annemie B De Roeck**,
Westmalle (BE)

(73) Assignee: **The Chillafish Company, N.V.**,
Antwerp (BE)

(**) Term: **15 Years**

(21) Appl. No.: **29/599,354**

(22) Filed: **Apr. 3, 2017**

(30) **Foreign Application Priority Data**

Oct. 13, 2016 (EM) 003417492-0003

(51) **LOC (12) Cl.** **12-10**

(52) **U.S. Cl.**
USPC **D12/106; D12/101; D12/425**

(58) **Field of Classification Search**
USPC D12/101, 102, 103, 104, 105, 106, 19,
D12/219, 111, 162, 400; D21/398, 399,
D21/414, 415, 424, 425, 427, 428, 453,
D21/465, 561, 562, 468
CPC ... A44C 11/002; A61B 1/00082; A61B 34/30;
A63H 11/12; A63H 7/00; B08B 9/045;
B60J 5/06; B61B 10/043; B62B 21/663;
B62B 17/38; B65G 19/20
See application file for complete search history.

(56) **References Cited**

U.S. PATENT DOCUMENTS

1,058,038 A * 4/1913 Colley F16G 13/02
474/227
2,241,576 A * 5/1941 Barton A63H 7/00
446/361
2,540,369 A * 2/1951 Hume A44C 11/002
446/124

2,891,501 A * 6/1959 Rather B63B 21/663
114/243
3,608,499 A * 9/1971 Krammer F16G 13/06
104/172.5
3,662,690 A * 5/1972 Galloway B61B 10/043
104/172.5
3,742,863 A * 7/1973 Rosenberger, Jr. B65G 17/38
104/172.2
4,750,325 A * 6/1988 Messier B65G 19/20
198/731
5,226,855 A * 7/1993 Van Lierde B61B 10/043
104/172.2
5,662,587 A * 9/1997 Grundfest A61B 1/00082
600/114
7,385,136 B2 * 6/2008 Ogawa B60J 5/06
174/19

(Continued)

Primary Examiner — Susan E Krakower

Assistant Examiner — Jerry Shiu-an-Hua Hsu

(74) *Attorney, Agent, or Firm* — Kirchstein, Israel,
Schiffmiller & Pieroni, P.C.

(57) **CLAIM**

The ornamental design for a trailer fitting, as shown and described.

DESCRIPTION

FIG. 1 is a front, top, perspective view of a trailer fitting, according to my new design.

FIG. 2 is a right side elevation view thereof, the left side view being a mirror image.

FIG. 3 is a front, top, perspective view thereof in a use position.

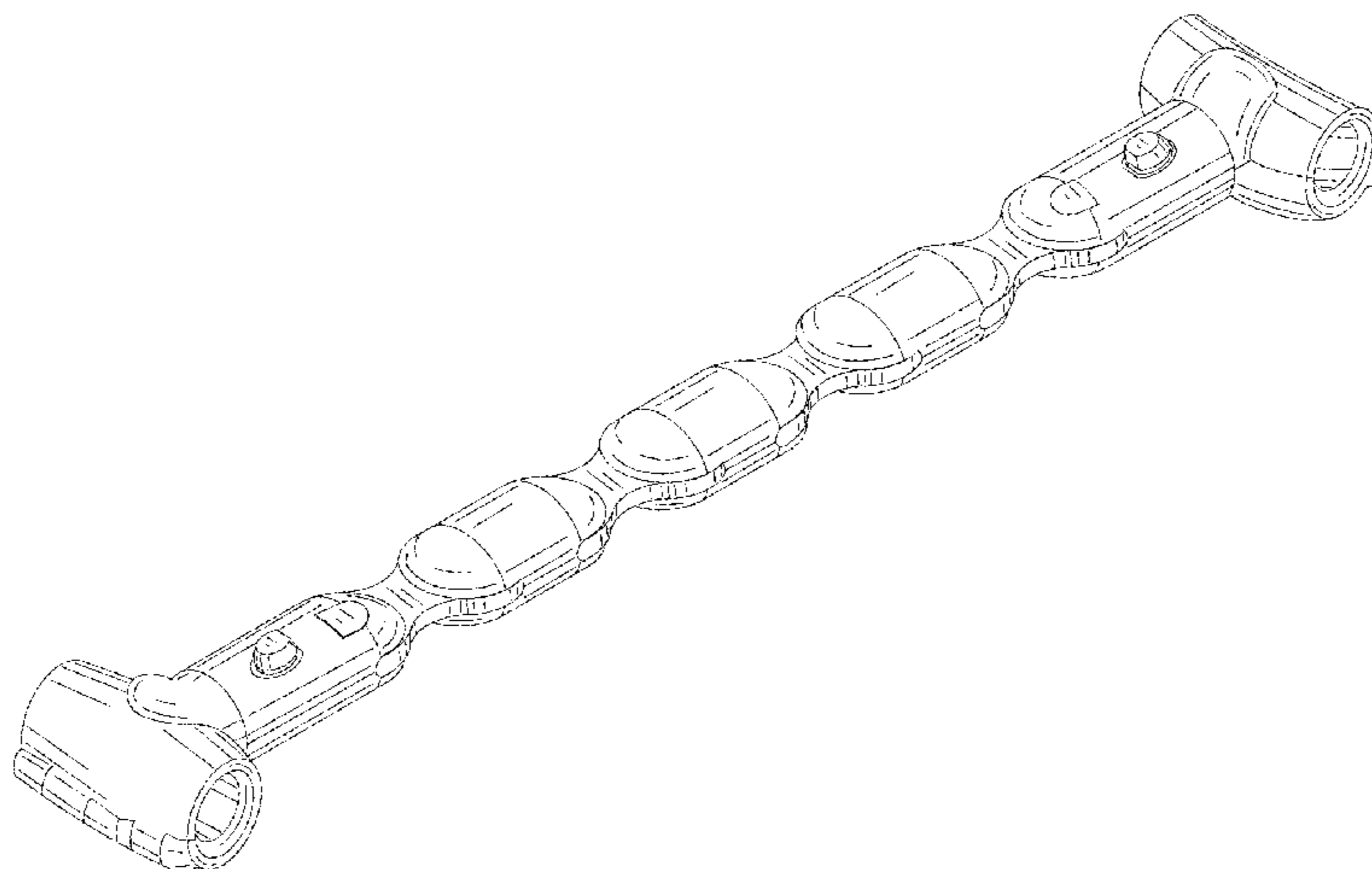
FIG. 4 is a top plan view thereof.

FIG. 5 is a bottom plan view thereof; and,

FIG. 6 is a front, top, perspective view thereof in condition of use.

The broken lines illustrate environmental structure that forms no part of the claimed design.

1 Claim, 6 Drawing Sheets



(56)

References Cited

U.S. PATENT DOCUMENTS

8,571,711 B2 * 10/2013 Jacobsen B08B 9/045
180/9.21
8,641,472 B2 * 2/2014 Taylor A63H 11/12
446/368
8,974,372 B2 * 3/2015 Fell A61B 34/30
600/114
9,463,393 B2 * 10/2016 Olivera A63H 11/12
D797,001 S * 9/2017 Liu D12/106
D843,892 S * 3/2019 De Roeck D12/101
2002/0190682 A1 * 12/2002 Schempf G01M 3/005
318/568.11
2018/0335107 A1 * 11/2018 Tay F16H 9/24

* cited by examiner

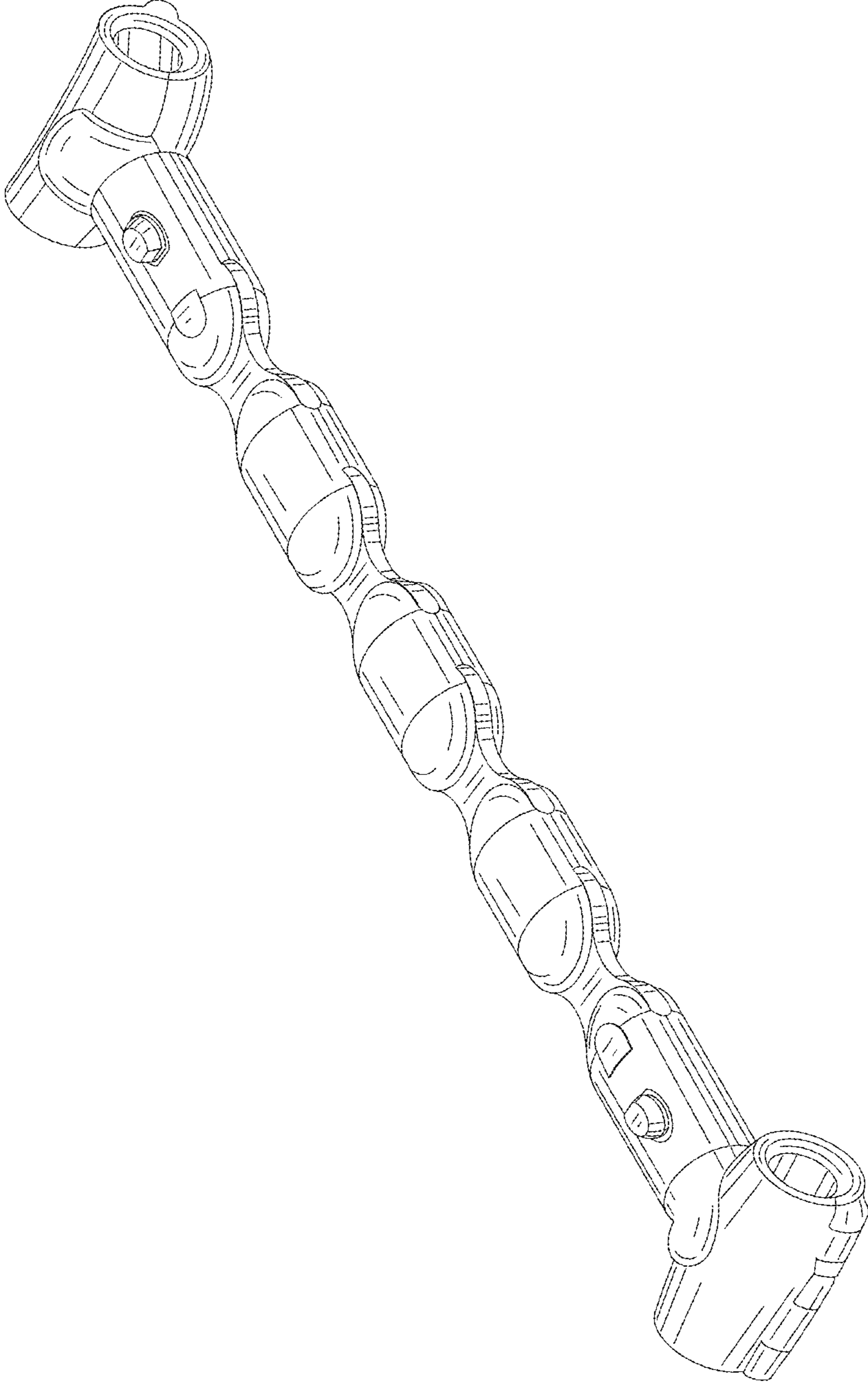


FIG. 1

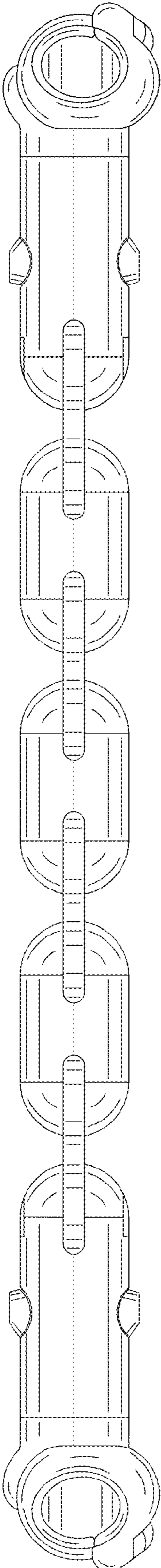


FIG. 2

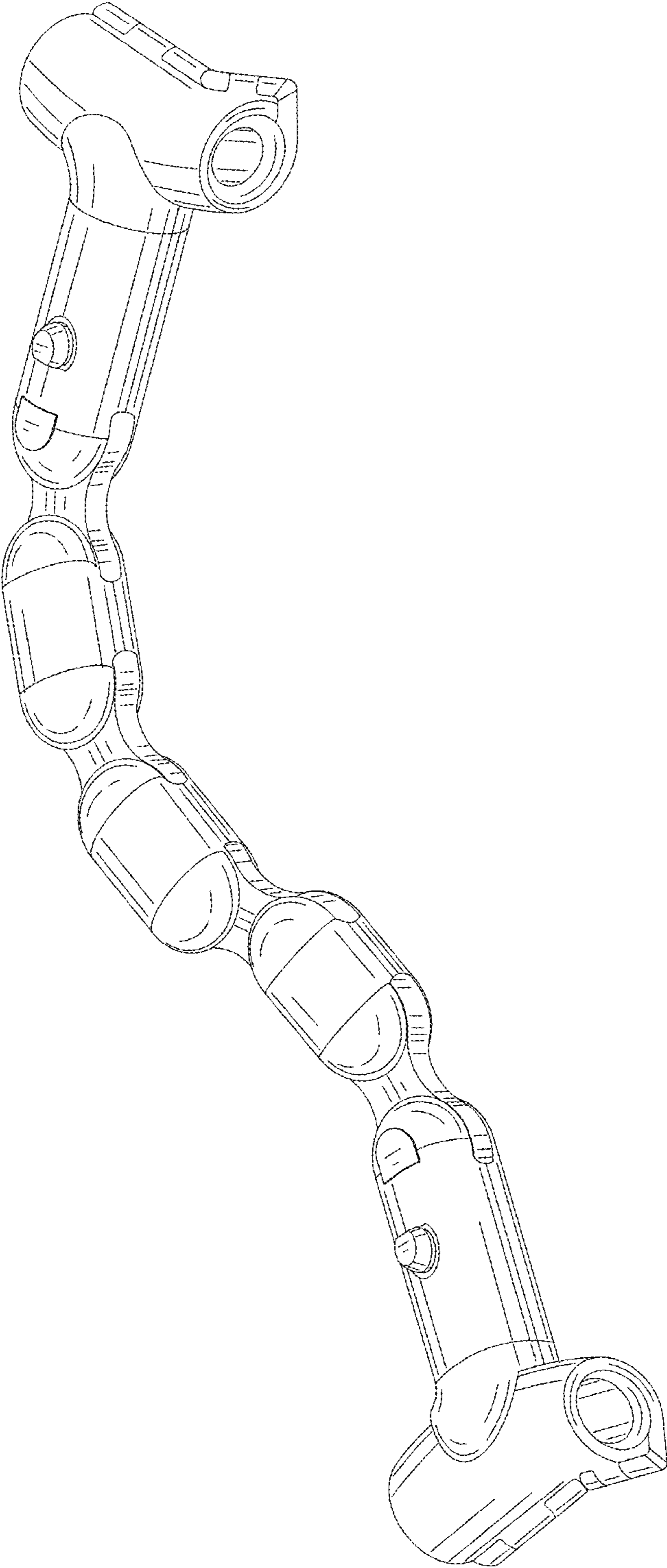


FIG. 3

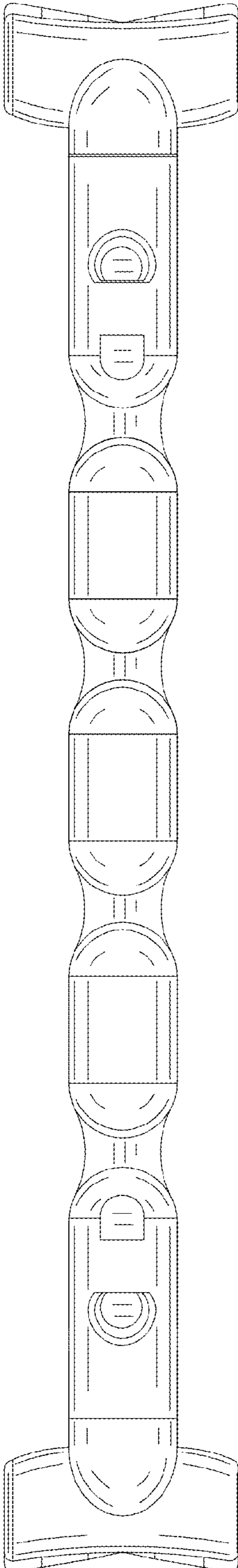


FIG. 4

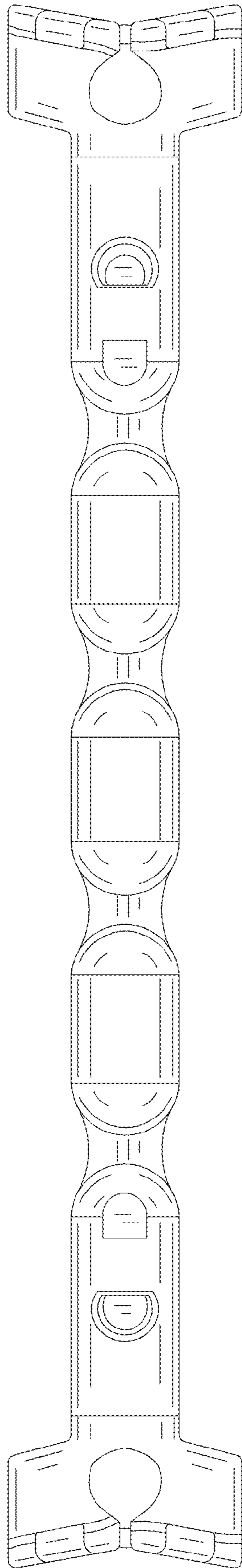


FIG. 5

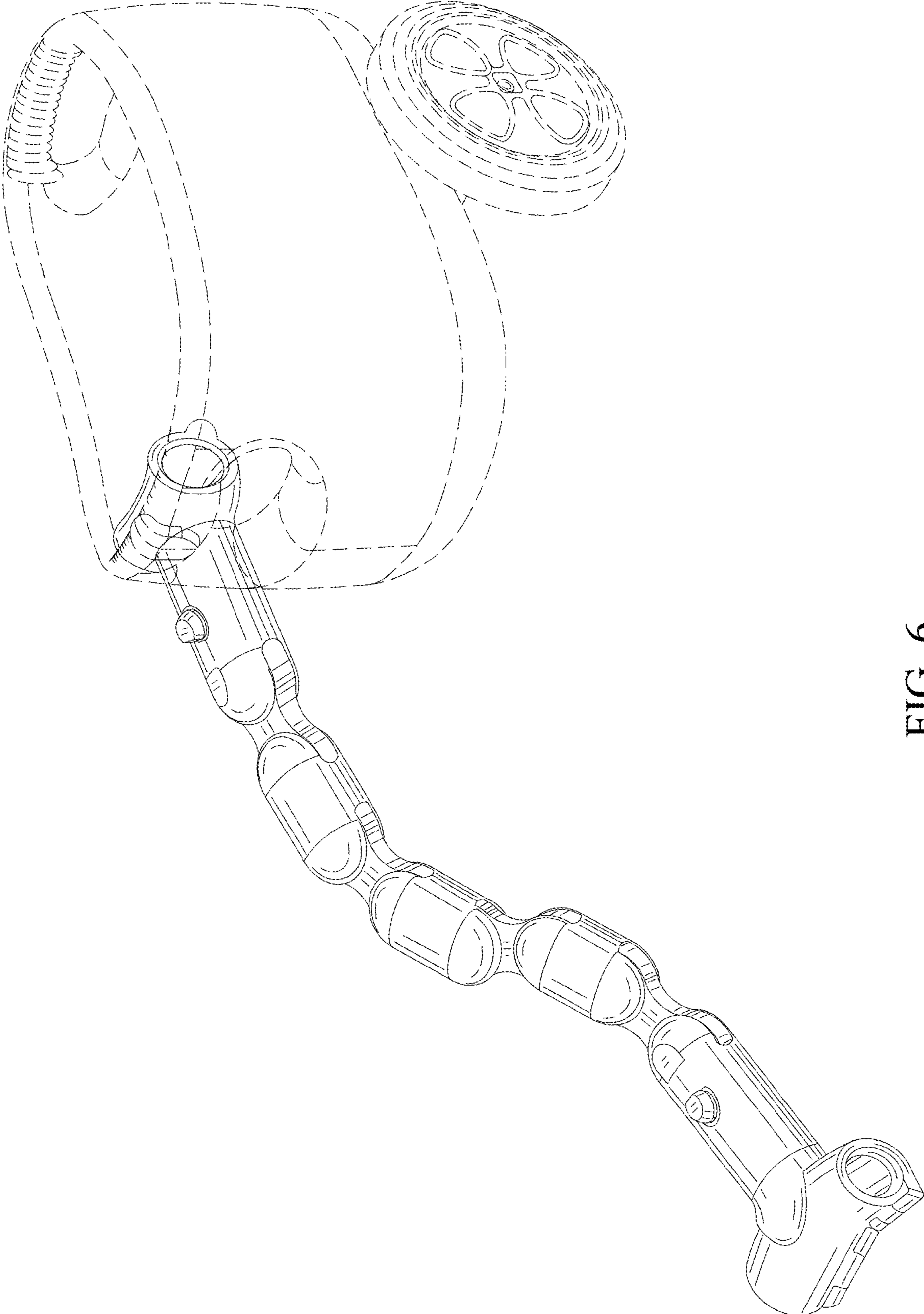


FIG. 6