



US00D876280S

(12) **United States Design Patent** (10) **Patent No.:** **US D876,280 S**  
**Mayer** (45) **Date of Patent:** **\*\* Feb. 25, 2020**

(54) **VEHICLE**

(71) Applicant: **Volvo Car Corporation**, Gothenburg (SE)

(72) Inventor: **Theodore Jonathan Mayer**, Gothenburg (SE)

(73) Assignee: **Volvo Car Corporation**, Gothenburg (SE)

(\*\*) Term: **15 Years**

(21) Appl. No.: **29/622,942**

(22) Filed: **Oct. 20, 2017**

(30) **Foreign Application Priority Data**

Apr. 20, 2017 (EM) ..... 003863984-0001

(51) **LOC (12) Cl.** ..... **12-08**

(52) **U.S. Cl.**  
USPC ..... **D12/92**

(58) **Field of Classification Search**  
USPC ..... D12/86, 90-92; D21/421, 433, 434  
CPC ..... B62D 35/00; B62D 25/00; B62D 25/06;  
B62D 33/00  
See application file for complete search history.

(56) **References Cited**

**U.S. PATENT DOCUMENTS**

D780,066 S \* 2/2017 Sterner ..... D12/91  
D802,482 S \* 11/2017 Sterner ..... D12/91  
D814,353 S \* 4/2018 Kim ..... D12/91  
D838,628 S \* 1/2019 Tsutamori ..... D12/92

**OTHER PUBLICATIONS**

Volvo Cars S60 Inscription <https://www.volvocars.com/us/build/sedan/s60#inscriptionfilterHybrid> Apr. 1, 2019 (Year: 2019).\*

\* cited by examiner

*Primary Examiner* — Leanne Was-Englehart

(74) *Attorney, Agent, or Firm* — Snyder, Clark, Lesch & Chung, LLP

(57) **CLAIM**

The ornamental design for a vehicle, as shown in the figures and described.

**DESCRIPTION**

FIG. 1 is a front perspective view of a vehicle illustrating the design of the present invention;  
FIG. 2 is a front view of the vehicle of FIG. 1;  
FIG. 3 is a right-side view of the vehicle of FIG. 1;  
FIG. 4 is a rear perspective view of the vehicle of FIG. 1;  
FIG. 5 is a rear view of the vehicle of FIG. 1;  
FIG. 6 is a left-side view of the vehicle of FIG. 1;  
FIG. 7 is a top view of the vehicle of FIG. 1; and,  
FIG. 8 is a bottom view of the vehicle of FIG. 1.  
In the figures, shading represents contour and not any particular color. Structure that is not part of the claimed design is represented in the figures by broken lines.

**1 Claim, 8 Drawing Sheets**

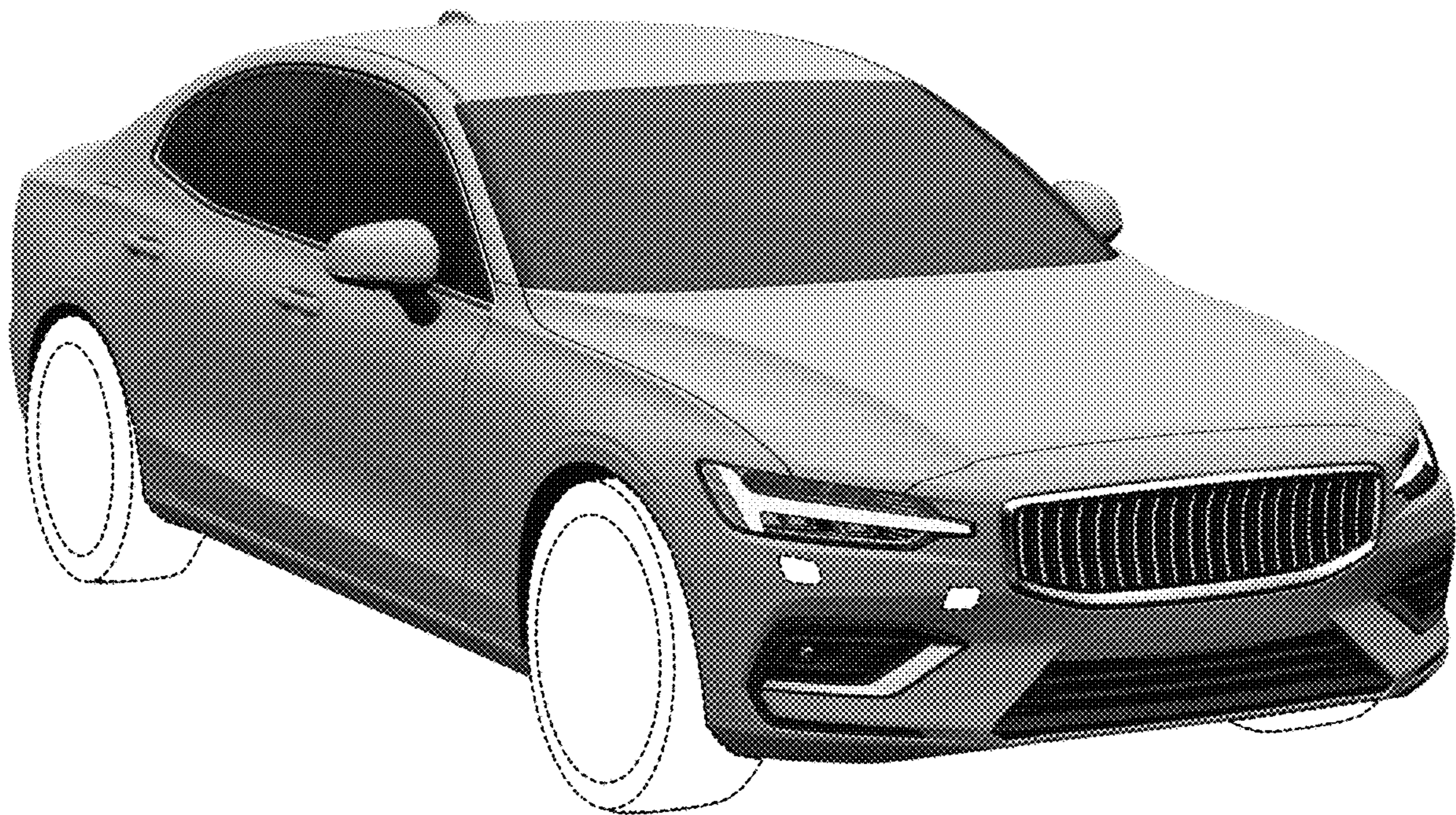




FIG. 1

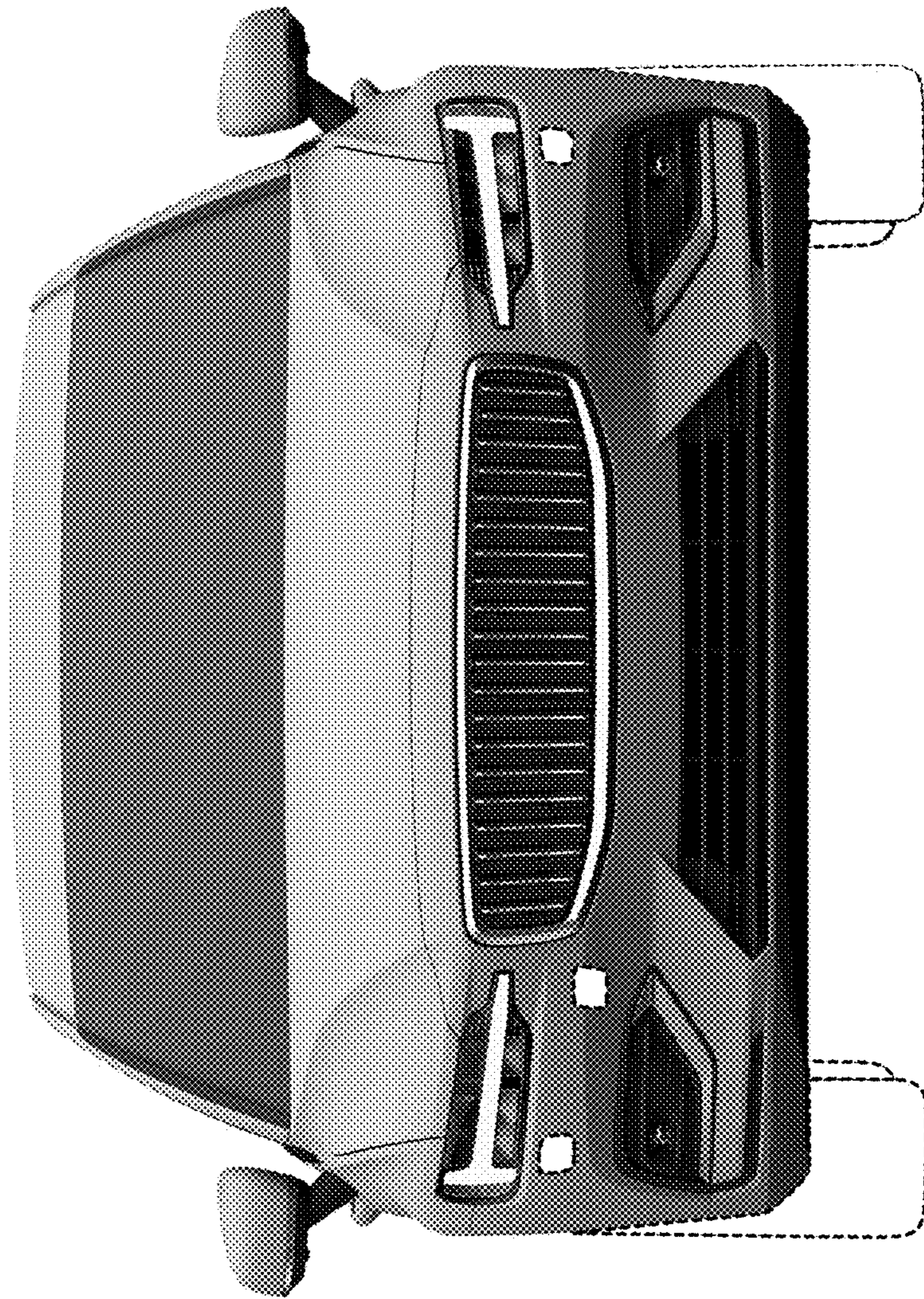


FIG. 2



FIG. 3



FIG. 4

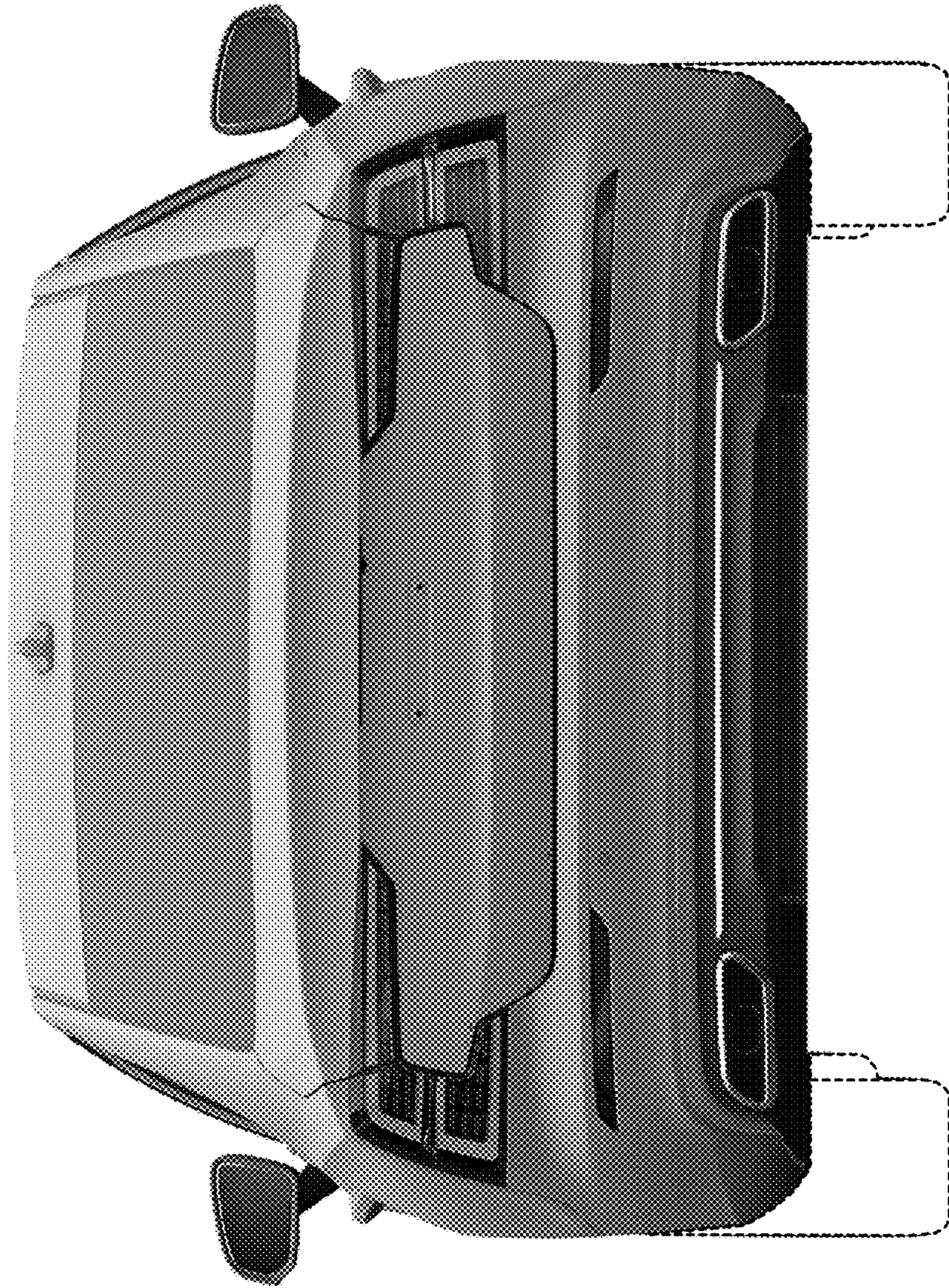
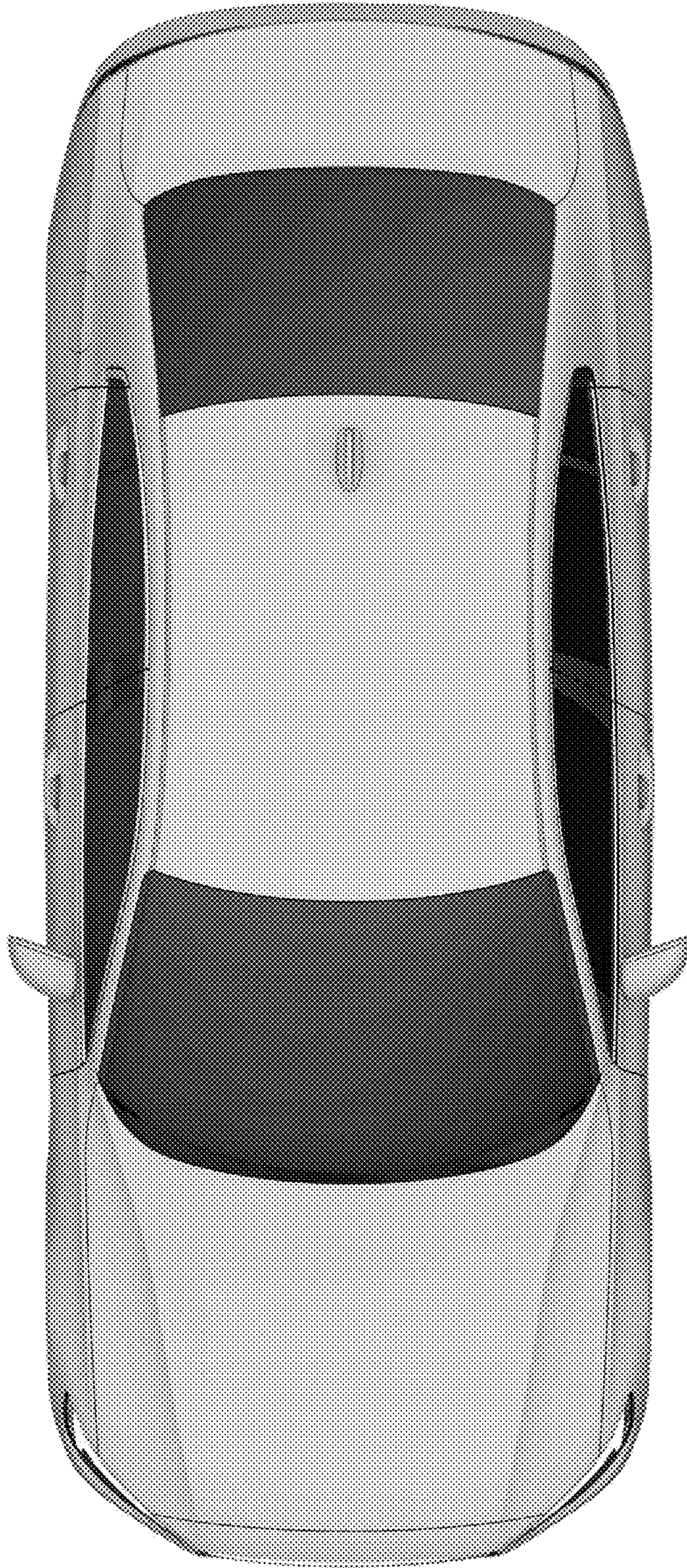


FIG. 5



FIG. 6



**FIG. 7**



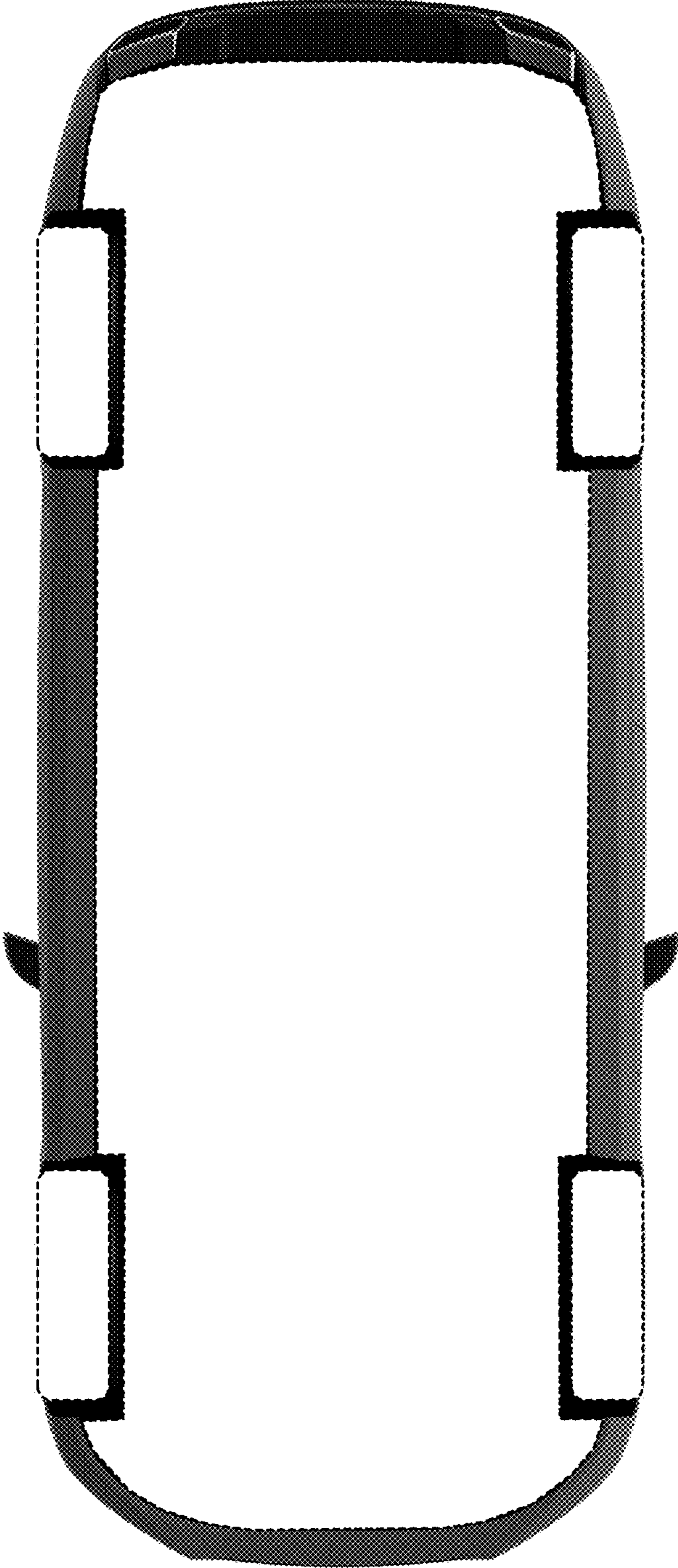


FIG. 8