



US00D876277S

(12) **United States Design Patent** (10) **Patent No.:** **US D876,277 S**  
**Hayes** (45) **Date of Patent:** **\*\* Feb. 25, 2020**

(54) **TURKEY FAN MOUNT**  
(71) Applicant: **Do All Traps, LLC**, Nashville, TN (US)  
(72) Inventor: **Jonathan Hayes**, Nashville, TN (US)  
(73) Assignee: **Do All Traps, LLC**, Nashville, TN (US)

Available from internet, URL: [https://theinfidel.co/products/zatbam6?variant=30283175460898&sfdr\\_ptcid=33792\\_4\\_538225219&sfdr\\_ \(Year: 2019\).\\*](https://theinfidel.co/products/zatbam6?variant=30283175460898&sfdr_ptcid=33792_4_538225219&sfdr_ (Year: 2019).*)

(Continued)

*Primary Examiner* — W. A. Teddy Falloway  
(74) *Attorney, Agent, or Firm* — Miller & Martin PLLC

(\*\*) Term: **15 Years**

(57) **CLAIM**

(21) Appl. No.: **29/661,760**

The ornamental design for a turkey fan mount, as shown and described.

(22) Filed: **Aug. 30, 2018**

(51) **LOC (12) Cl.** ..... **11-02**

(52) **U.S. Cl.**  
USPC ..... **D11/137**

**DESCRIPTION**

(58) **Field of Classification Search**  
USPC ..... D11/131–134, 137, 140, 157, 158, 160, D11/162, 184; D6/552; D7/631, 632, D7/634; 428/542.2, 542.4, 542.6, 6, 16, 428/913.3; 434/295–297; 248/176.1  
CPC ..... B44C 5/02; A41G 9/00; F16M 13/02  
See application file for complete search history.

FIG. 1 is a front perspective view of a turkey fan mount; FIG. 2 is a top front right perspective view of the base of the turkey fan mount shown in FIG. 1, shown separately for clarity of illustration; FIG. 3 is a bottom front left perspective view thereof; FIG. 4 is a left side elevation view thereof, the right side elevation being a mirror image thereof; FIG. 5 is a top plan view thereof; FIG. 6 is a bottom plan view thereof; FIG. 7 is a rear elevation view thereof; FIG. 8 is a front elevation view thereof; FIG. 9 is a slightly enlarged rear right perspective view of the magnetic head component of the turkey fan mount shown in FIG. 1, shown separately for clarity of illustration; FIG. 10 is a left side elevation view of the turkey fan mount of FIG. 1, the right side elevation being a mirror image thereof; FIG. 11 is a top plan view thereof; FIG. 12 is a bottom plan view thereof; FIG. 13 is a rear elevation view thereof; and, FIG. 14 is a front elevation view thereof. The broken lines shown in FIGS. 1 and 9-14 illustrate portions of the turkey fan mount that form no part of the claimed design.

(56) **References Cited**

**U.S. PATENT DOCUMENTS**

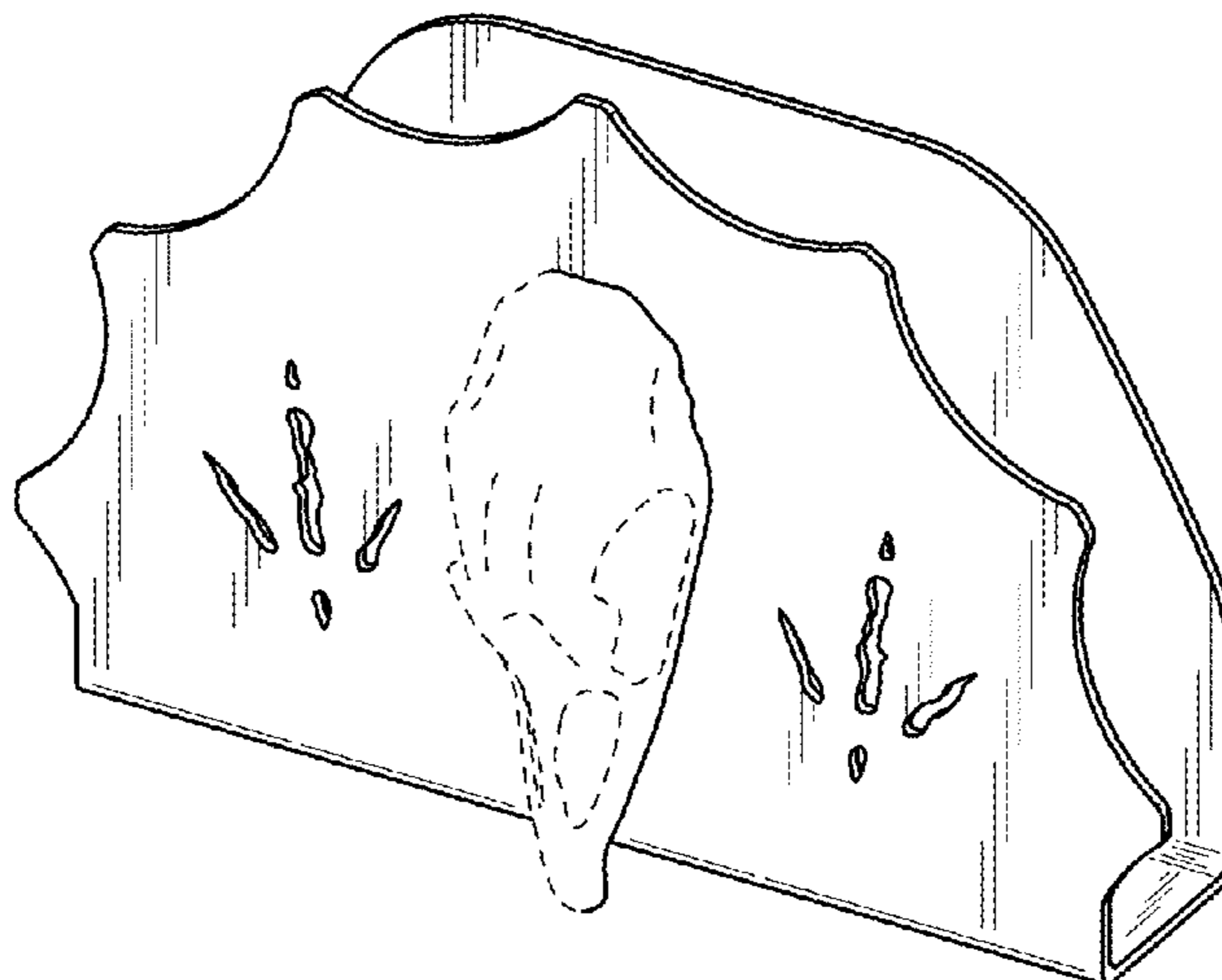
2,729,452 A \* 1/1956 Baumann ..... A63F 1/10 273/150  
D206,277 S \* 11/1966 Groff ..... D32/58  
D263,786 S \* 4/1982 Kohan ..... D19/90  
D310,767 S \* 9/1990 Minuti ..... D19/90  
D350,671 S \* 9/1994 Asner ..... D7/504  
5,437,935 A \* 8/1995 Fredeen ..... B44C 5/02 428/16  
D405,634 S \* 2/1999 Smith ..... D6/574  
D426,999 S \* 6/2000 Smith ..... D6/574

(Continued)

**OTHER PUBLICATIONS**

Do-all Turkey Tail Mount Kit—Iron Turkey (via infidel co.), available Oct. 17, 2019, [online], [site visited Oct. 17, 2019].

**1 Claim, 6 Drawing Sheets**



(56)

References Cited

U.S. PATENT DOCUMENTS

D515,881 S \* 2/2006 Berger ..... D7/631  
 D539,064 S \* 3/2007 Militello ..... D6/580  
 D566,614 S \* 4/2008 Chase ..... D11/132  
 7,784,213 B1 \* 8/2010 Primos ..... A01M 31/06  
 43/2  
 D668,436 S \* 10/2012 Kelley ..... D2/895  
 9,346,315 B2 \* 5/2016 Powell ..... B44C 5/02  
 D770,243 S \* 11/2016 Esquivel ..... D7/504  
 D803,761 S \* 11/2017 Greif ..... D12/400  
 D827,392 S \* 9/2018 Sternberg ..... D7/631  
 2003/0082316 A1 \* 5/2003 Scott ..... G09F 19/00  
 428/16  
 2003/0106253 A1 \* 6/2003 Loughman ..... A01M 31/06  
 43/2  
 2006/0288621 A1 \* 12/2006 Wicklander ..... B44C 5/06  
 40/700  
 2011/0232153 A1 \* 9/2011 Jennings, Jr. .... A01M 31/06  
 43/2  
 2012/0261361 A1 \* 10/2012 Deland ..... G09B 23/36  
 211/13.1  
 2013/0045470 A1 \* 2/2013 Bain ..... B44C 5/02  
 434/296

2013/0312303 A1 \* 11/2013 Swarthout ..... B44C 5/02  
 40/800  
 2015/0226373 A1 \* 8/2015 Powell ..... B44C 5/02  
 248/205.1  
 2015/0283850 A1 \* 10/2015 Miller ..... B44C 5/06  
 248/121  
 2016/0198701 A1 \* 7/2016 Bartel ..... A01M 31/06  
 43/2

OTHER PUBLICATIONS

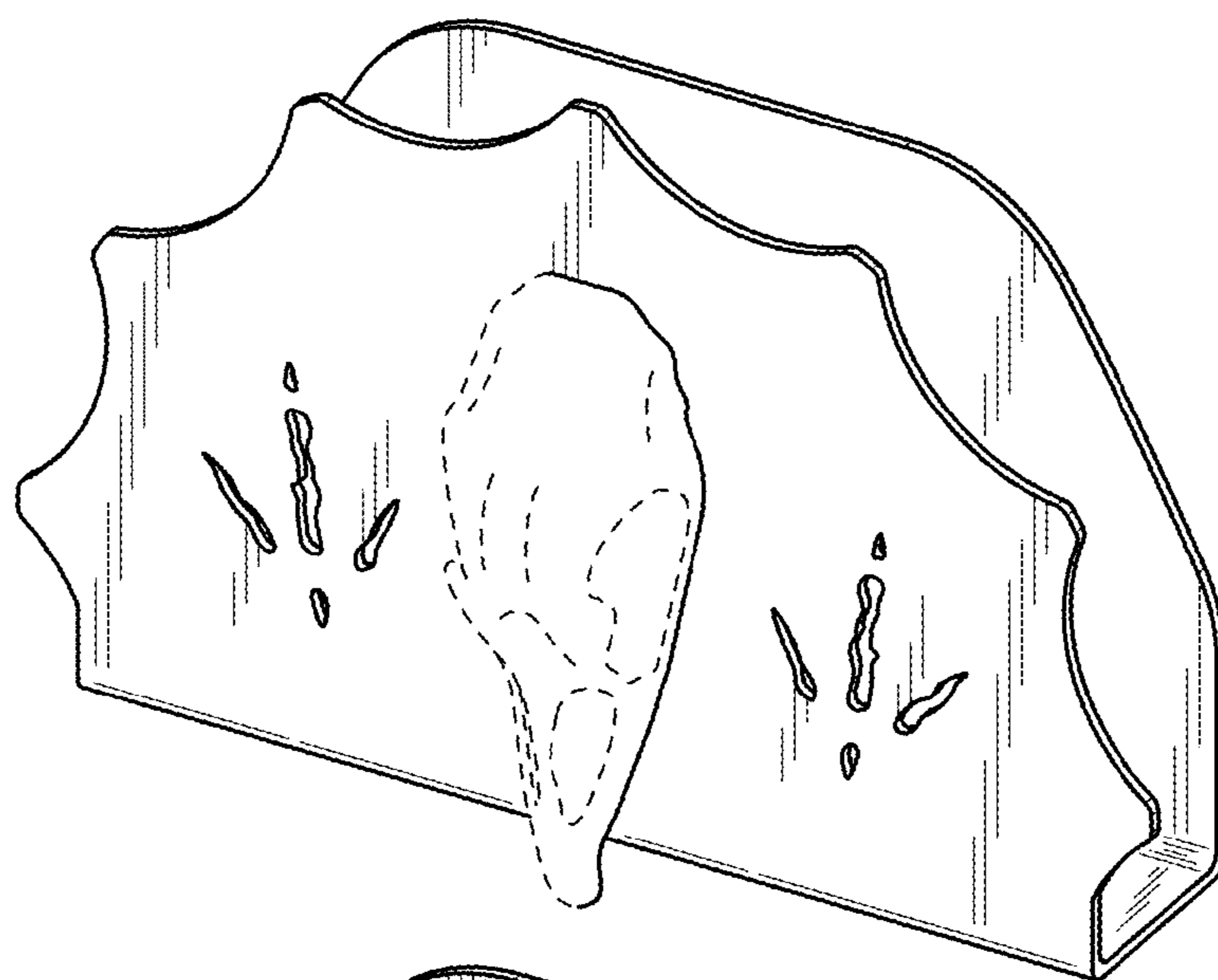
Do-all Traps Mount Iron Turkey, available Aug. 21, 2019, [online],  
 [site visited Oct. 17, 2019]. Available from internet, URL: <https://www.ebay.com/itm/383058483268> (Year: 2019).\*

“How to mount a Turkey Fan with a Bone Fever Turkey Keeper”  
 (from EP Adventures via amazon.com), available Jun. 13, 2017,  
 [online], [site visited Oct. 27, 2019]. Video available from internet,  
 URL: <https://www.youtube.com/watch?v=-U2WtCR-TPG> (Year:  
 2017).\*

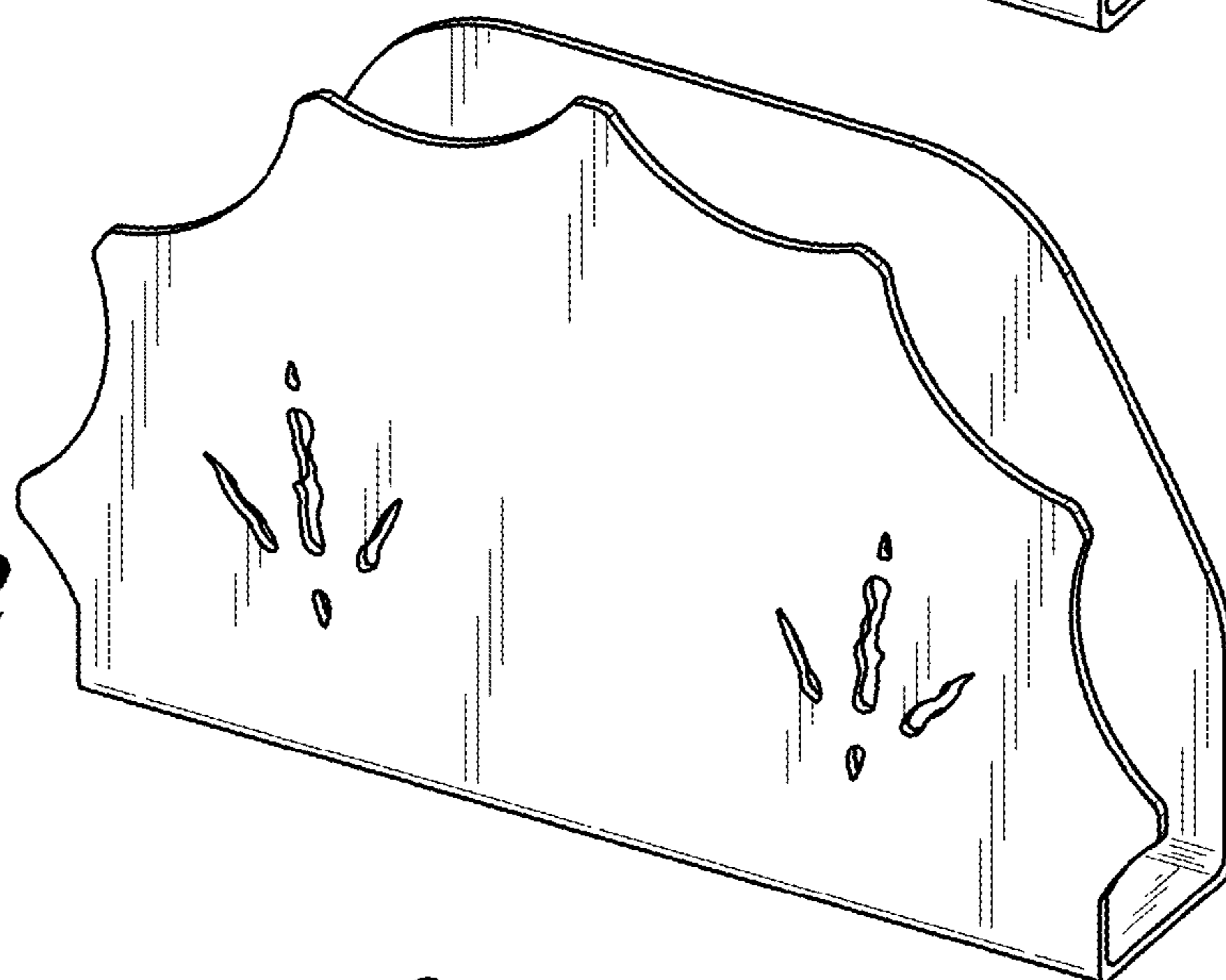
Brass Turkey Mount on Cherry Wood, available Oct. 27, 2019,  
 [online], [site visited Oct. 27, 2019]. Available from internet, URL:  
<https://www.skulltaxidermy.com/turkeybrass.html> (Year: 2019).\*

\* cited by examiner

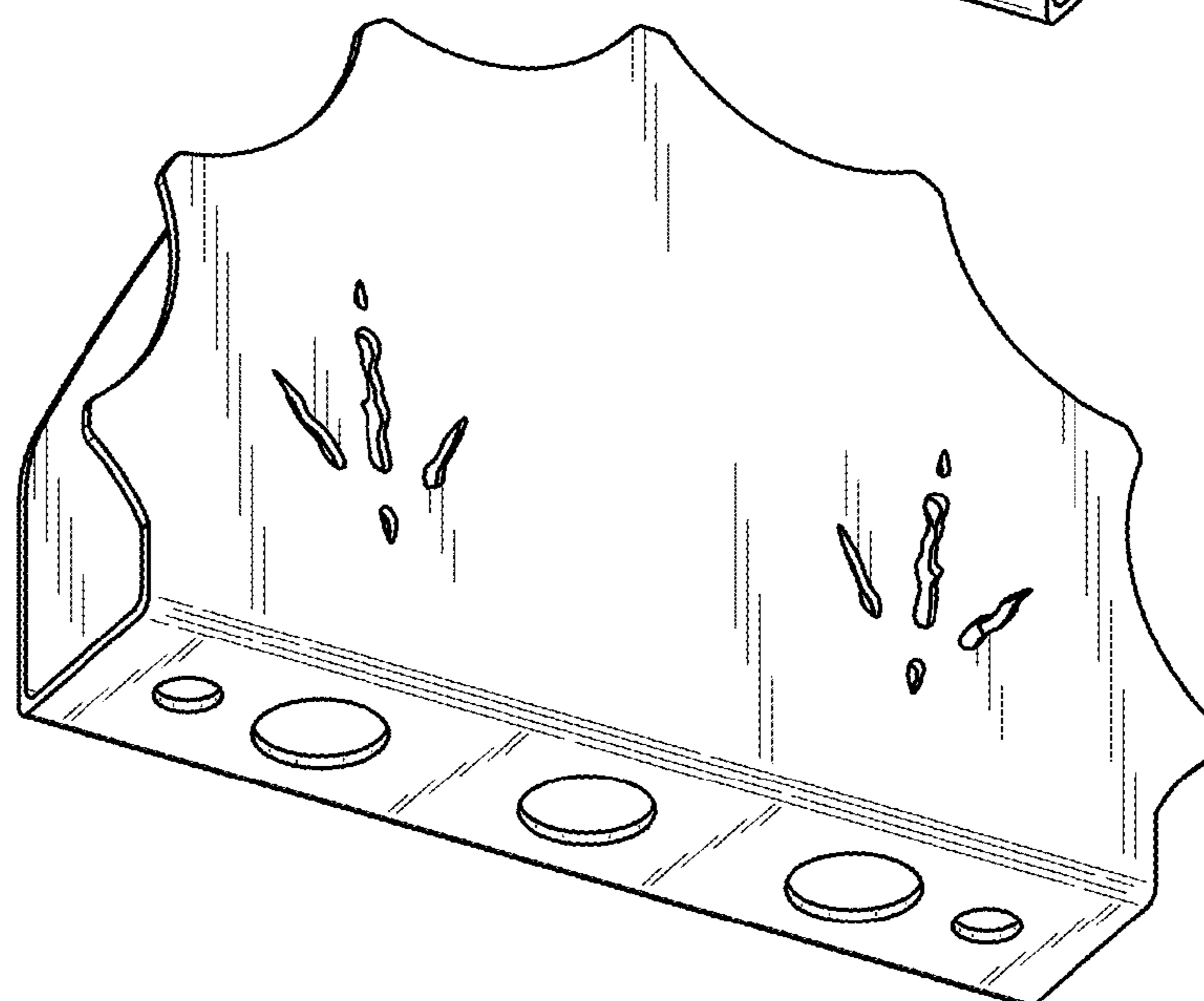
*FIG. 1*

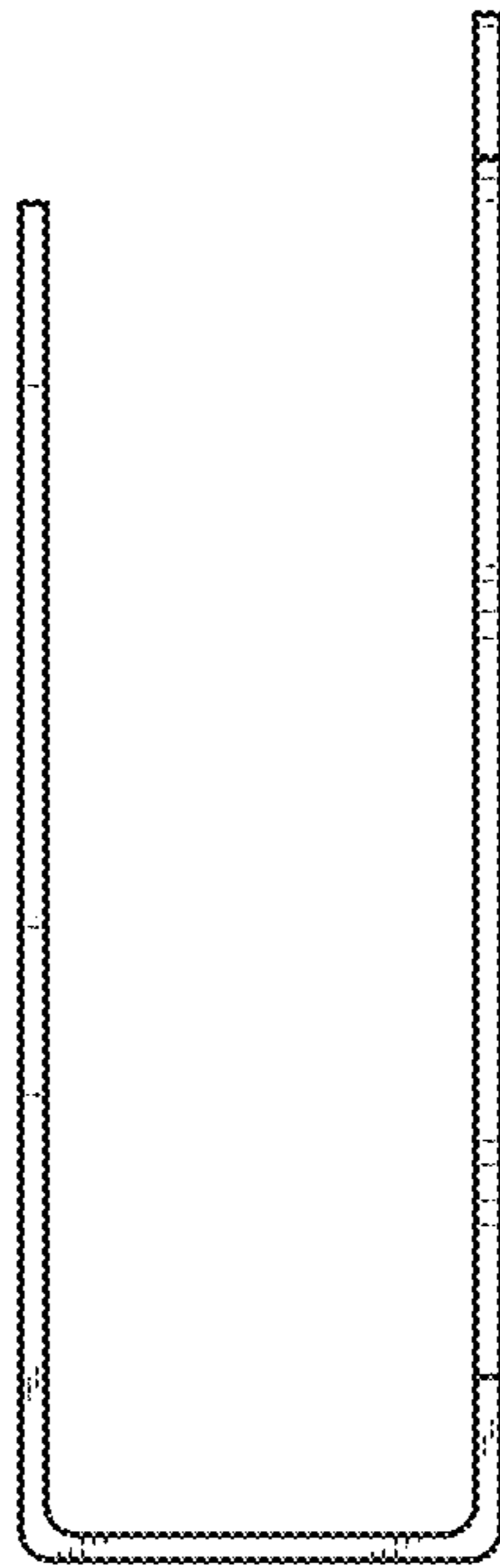


*FIG. 2*

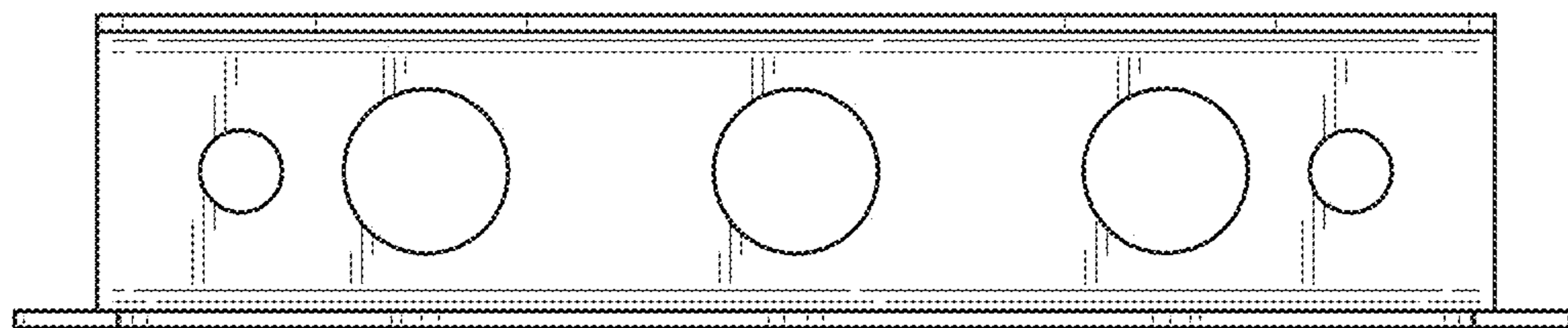


*FIG. 3*

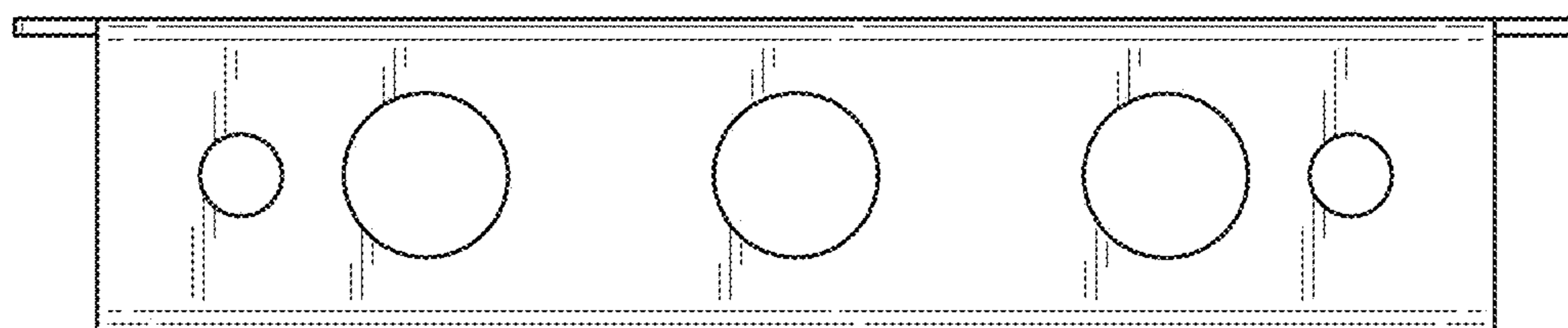




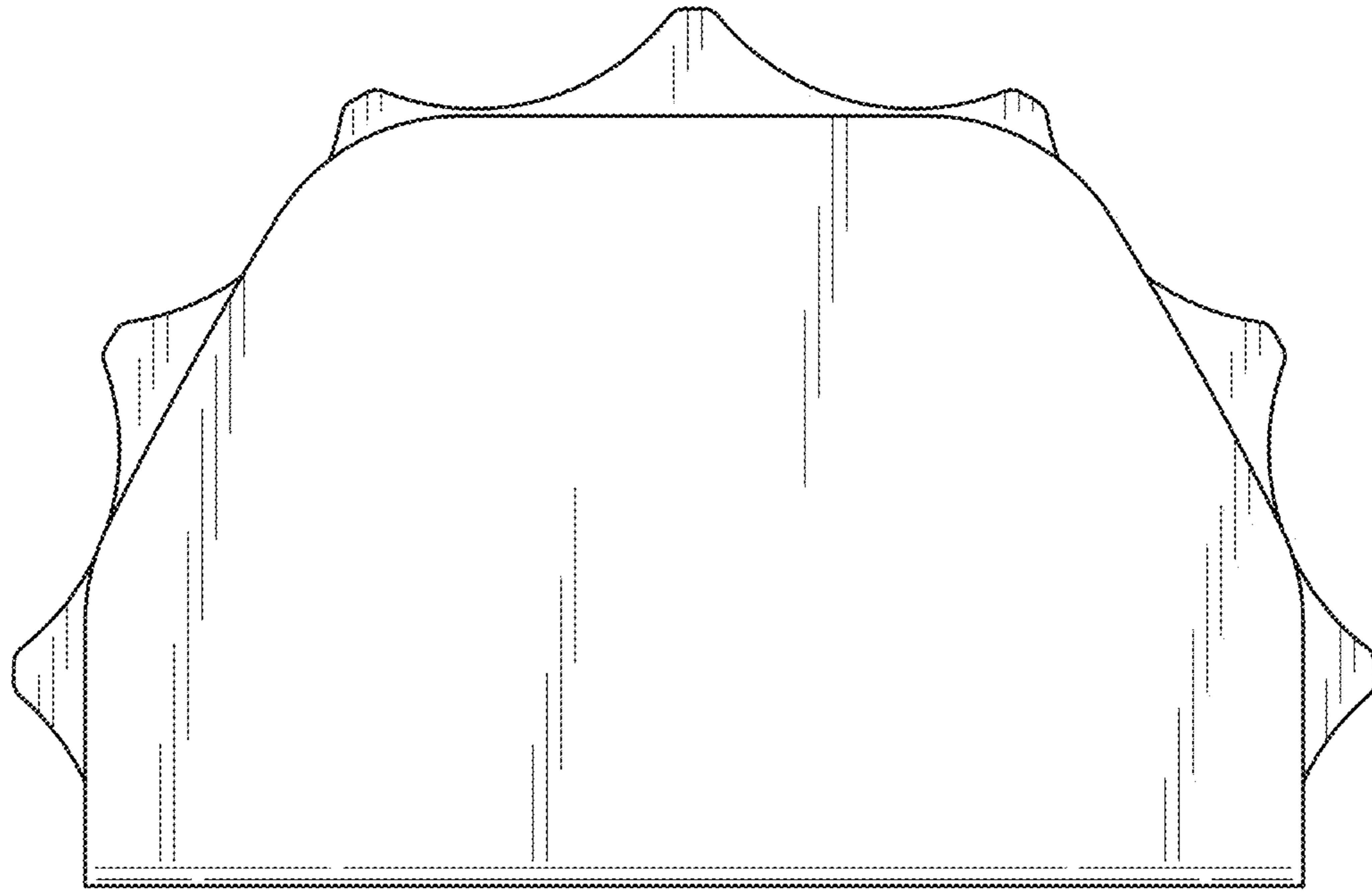
*FIG. 4*



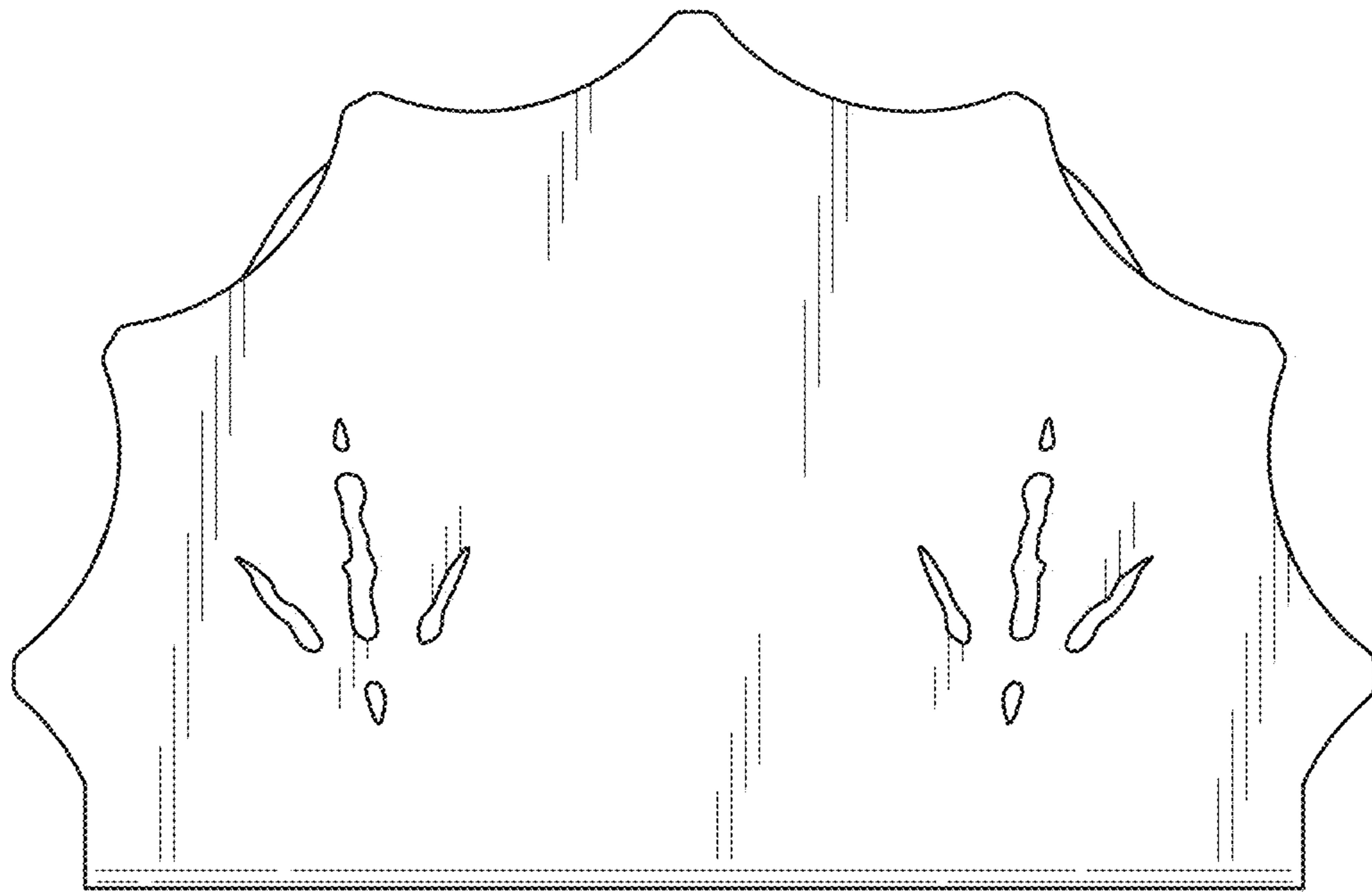
*FIG. 5*



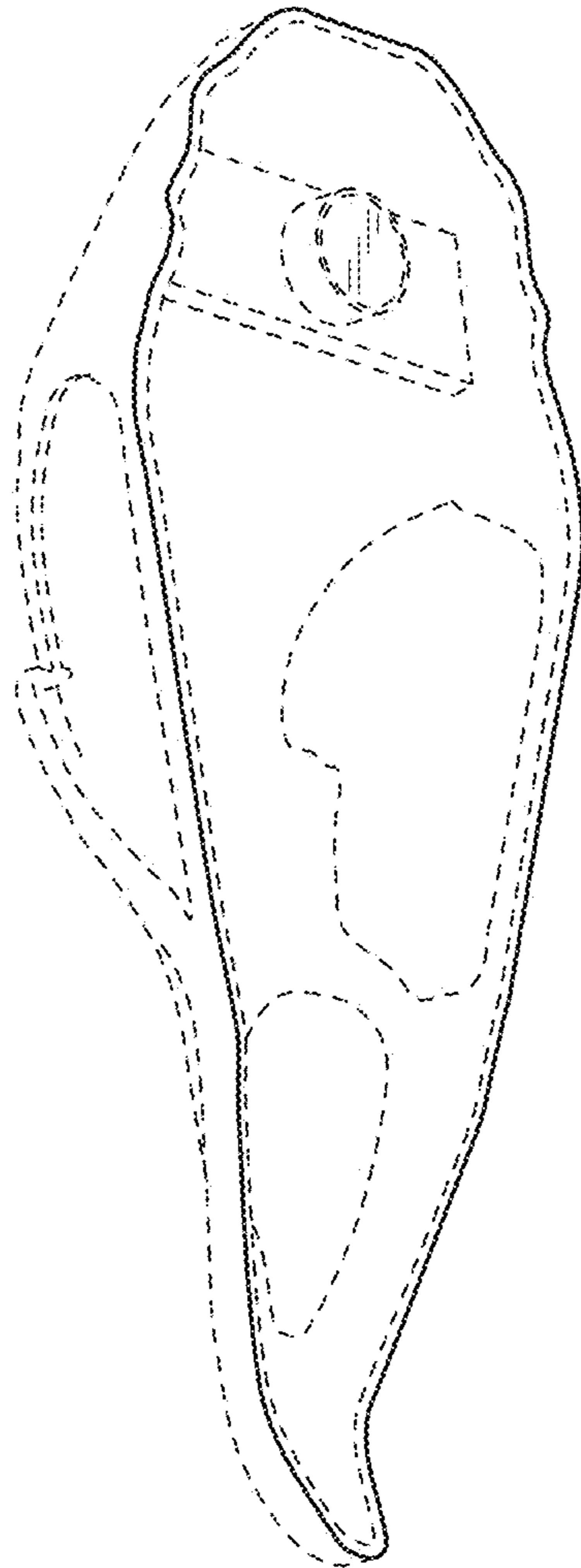
*FIG. 6*



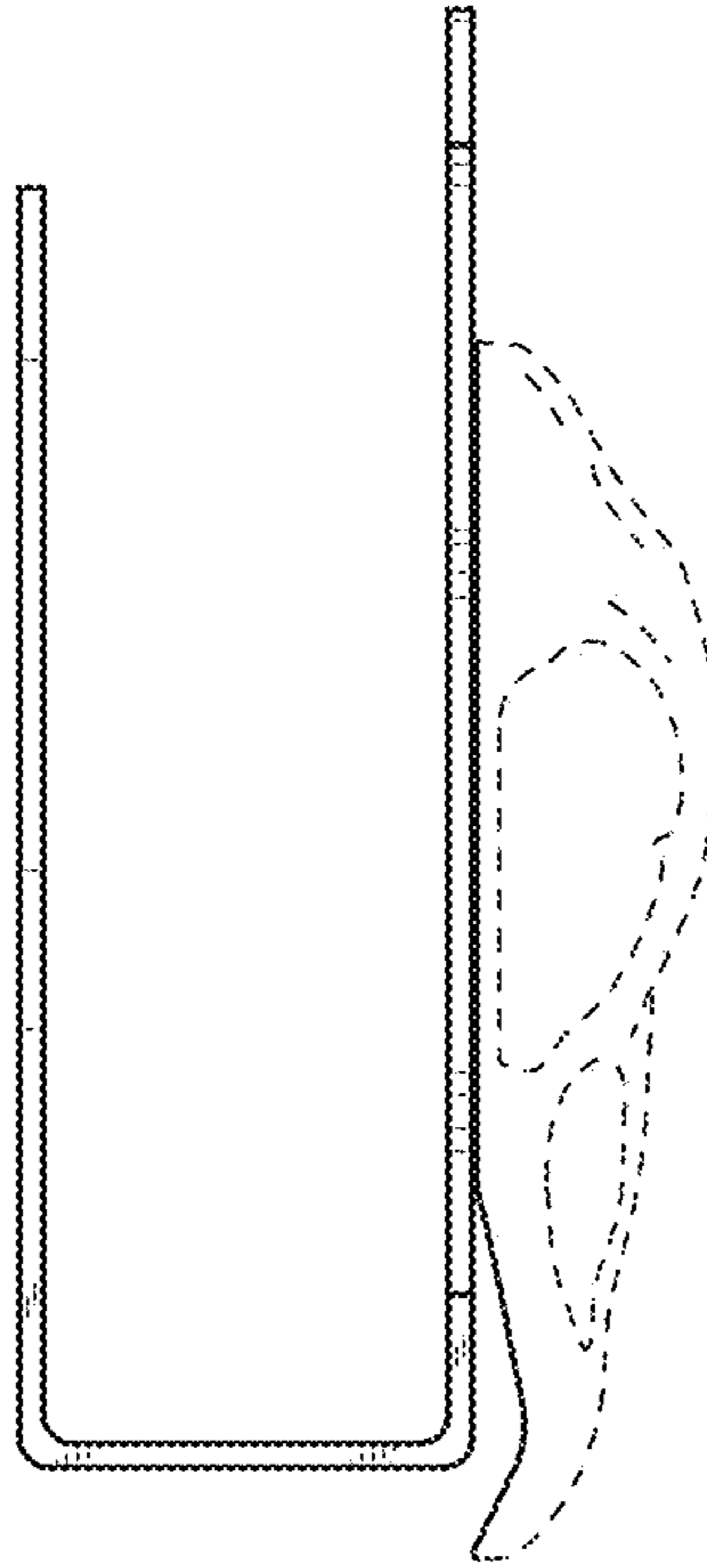
*FIG. 7*



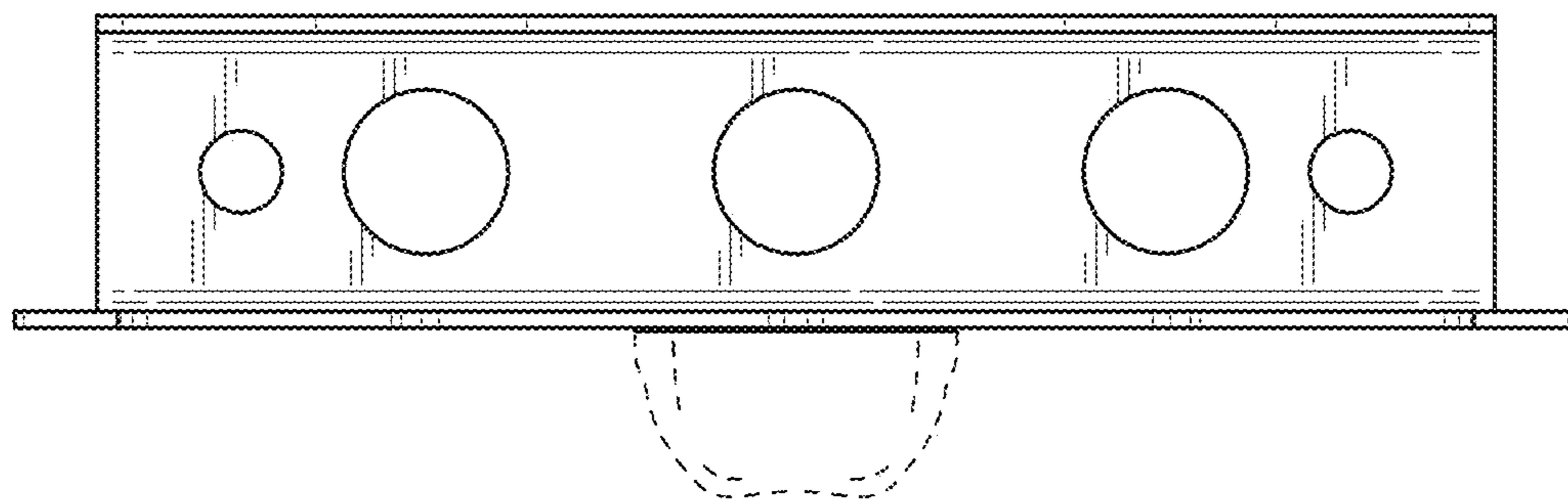
*FIG. 8*



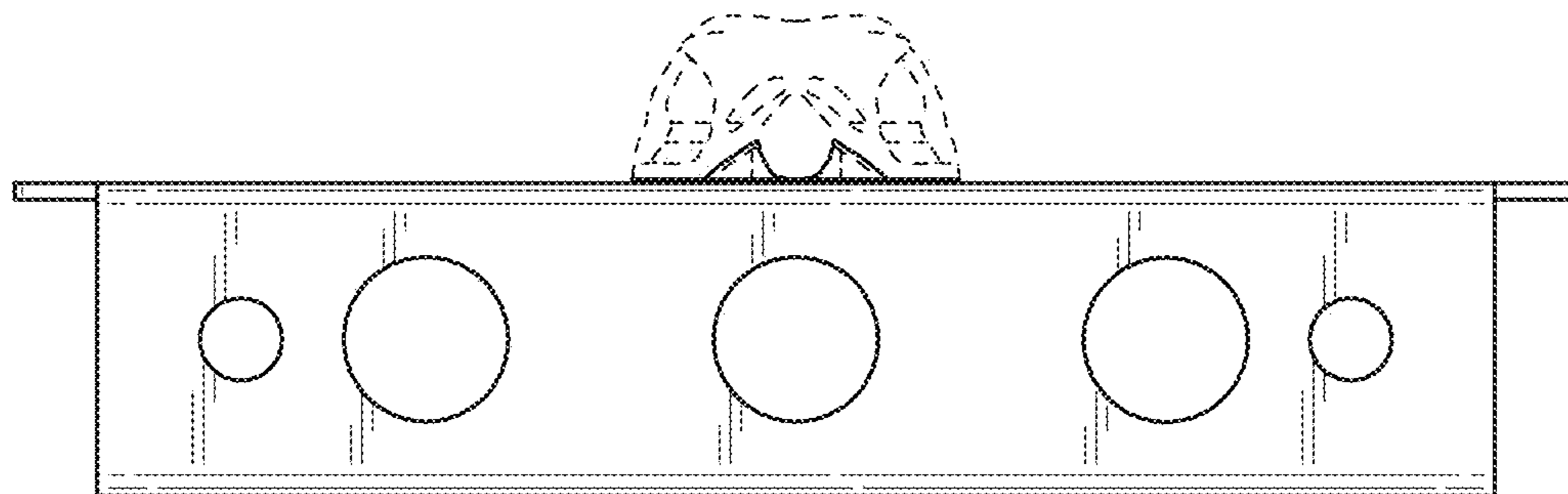
*FIG. 9*



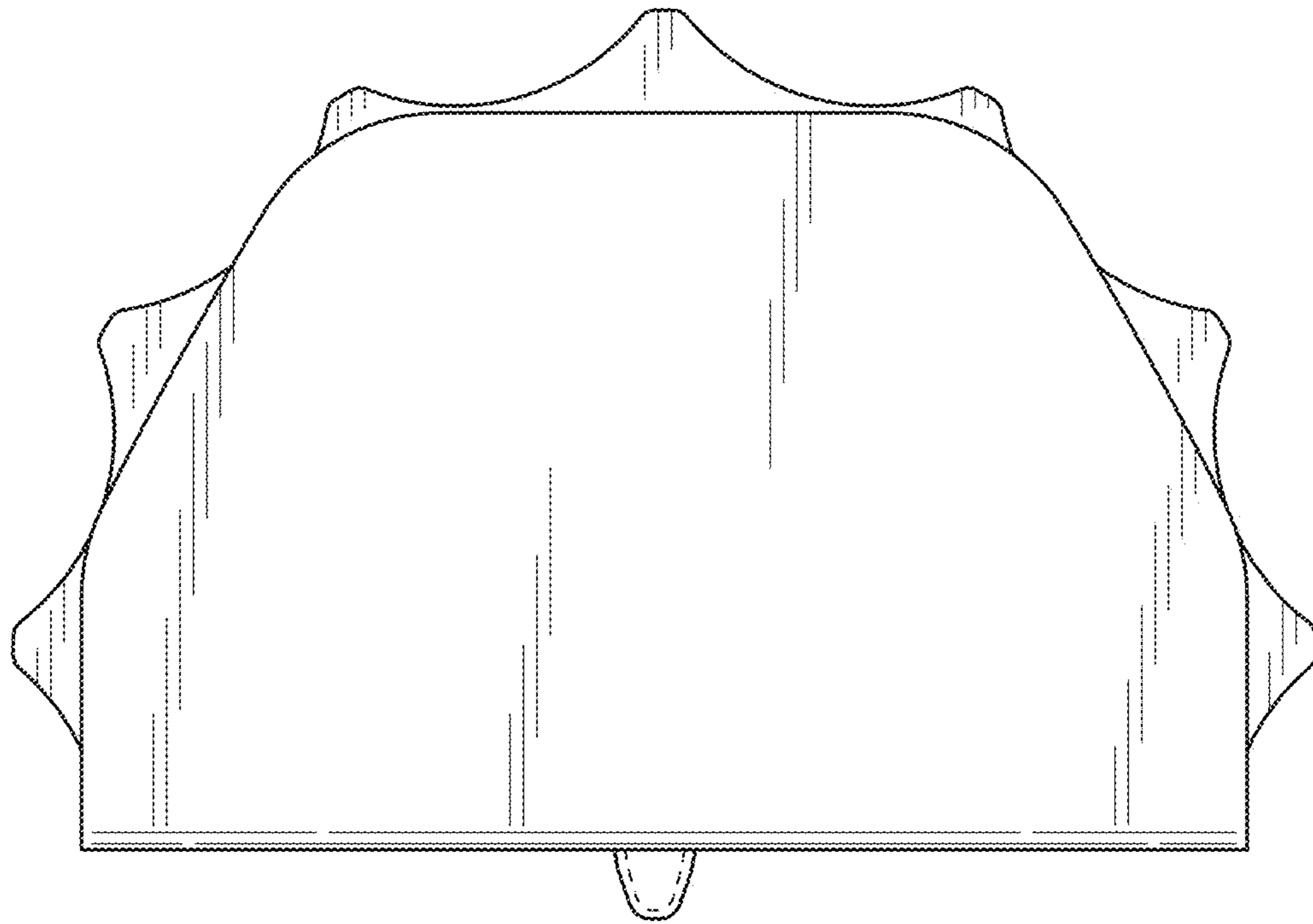
*FIG. 10*



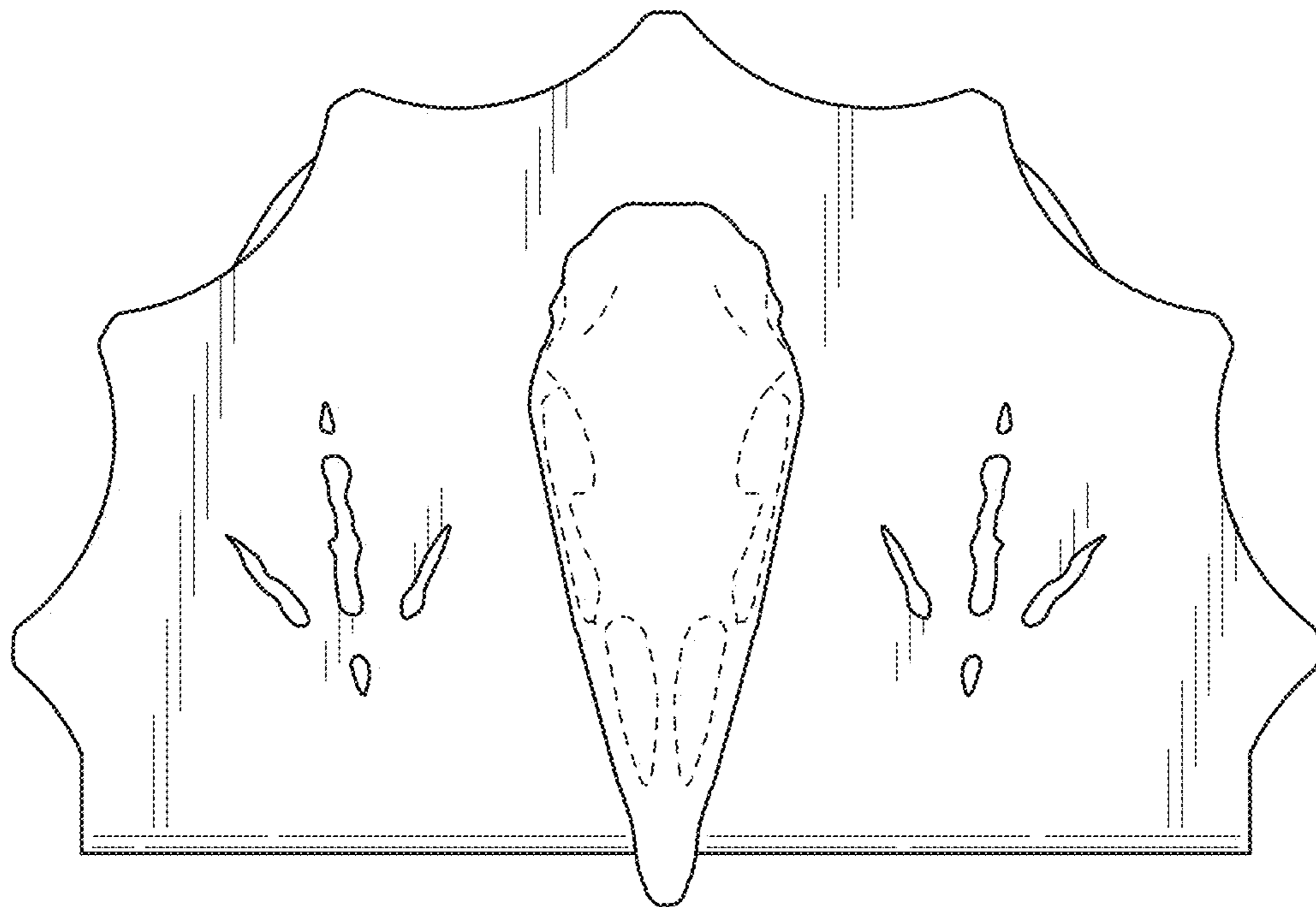
*FIG. 11*



*FIG. 12*



*FIG. 13*



*FIG. 14*