



US00D876276S

(12) **United States Design Patent** (10) **Patent No.:** **US D876,276 S**
Strunsee (45) **Date of Patent:** **** Feb. 25, 2020**

(54) **FEATHER DISPLAY**
(71) Applicant: **Timber Lane Studio, LLC**, Sullivan, WI (US)
(72) Inventor: **Kami M. Strunsee**, Sullivan, WI (US)
(73) Assignee: **Timber Lane Studio, LLC**, Sullivan, WI (US)
(**) Term: **15 Years**
(21) Appl. No.: **29/660,280**
(22) Filed: **Aug. 20, 2018**
(51) **LOC (12) Cl.** **11-02**
(52) **U.S. Cl.**
USPC **D11/133**
(58) **Field of Classification Search**
USPC D11/44, 68, 81, 84, 99, 115, 131-133, D11/139, 151, 157, 184; D6/300, 303;
(Continued)

(56) **References Cited**
U.S. PATENT DOCUMENTS
1,816,114 A * 7/1931 Haegermann A41G 1/04
428/10
2,879,617 A * 3/1959 Popeil A41G 1/00
264/245
(Continued)

OTHER PUBLICATIONS
Timber Lane Studio (via facebook), available Aug. 22, 2017, [online], [site visited Oct. 27, 2019]. Available from internet, URL: https://www.facebook.com/pg/timberlanestudio/photos/?ref=page_internal (Year: 2017).*
(Continued)

Primary Examiner — W. A. Teddy Falloway
(74) *Attorney, Agent, or Firm* — Andrus Intellectual Property Law, LLP

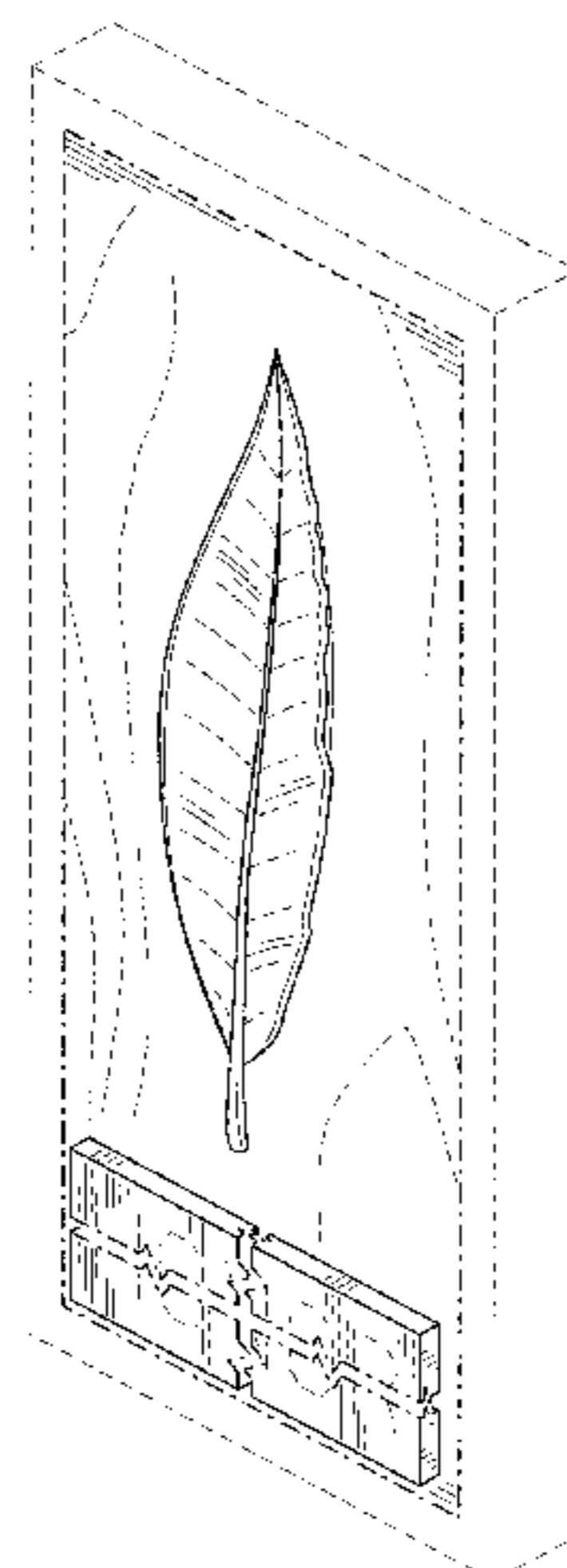
(57) **CLAIM**
The ornamental design for a feather display, as shown and described.

DESCRIPTION

FIG. 1 is a top right perspective view of a first embodiment of a feather display according to the new and ornamental design;

FIG. 2 is a front elevation view thereof;
FIG. 3 is a rear elevation view thereof;
FIG. 4 is a right side elevation view thereof;
FIG. 5 is a left side elevation view thereof;
FIG. 6 is a top plan view thereof;
FIG. 7 is a bottom plan view thereof;
FIG. 8 is a top right side perspective view of a second embodiment of a feather display according to the new and ornamental design;
FIG. 9 is a front elevation view thereof;
FIG. 10 is a rear elevation view thereof;
FIG. 11 is a right elevation side view thereof;
FIG. 12 is a left side elevation view thereof;
FIG. 13 is a top view plan thereof;
FIG. 14 is a bottom plan view thereof;
FIG. 15 is a top right perspective view of a third embodiment of a feather display according to the new and ornamental design;
FIG. 16 is a front elevation view thereof;
FIG. 17 is a rear elevation view thereof;
FIG. 18 is a right side elevation view thereof;
FIG. 19 is a left side elevation view thereof;
FIG. 20 is a top plan view thereof;
FIG. 21 is a bottom plan view thereof;
FIG. 22 is a top right side perspective view of a fourth embodiment of a feather display according to the new and ornamental design;
FIG. 23 is a front elevation view thereof;
FIG. 24 is a rear elevation view thereof;
FIG. 25 is a right elevation side view thereof;
FIG. 26 is a left side elevation view thereof;
FIG. 27 is a top view plan thereof; and,
FIG. 28 is a bottom plan view thereof.
The broken lines in FIGS. 1-28 illustrate portions of the feather display that form no part of the claimed design. The dash-dot-dash lines in FIGS. 1-2, 8-9, 15-16, and 22-23 between the solid line portions and the broken line portions of the feather display show the boundaries of the claimed design and form no part of the claimed design. The middle region of the plate on the feather display is shown in FIGS. 1-2, 4-5, 7-9, 11-12, 14-16, 18-23, and 25-26 broken away in dash-dot-dash lines to indicate that the precise width and height of the plate are not claimed. The appearance of any portion of the plate between the dash-dot-dash lines forms no part of the claim.

1 Claim, 18 Drawing Sheets



(58) **Field of Classification Search**

USPC D20/10, 26, 29, 99; 428/15–19, 22, 24,
428/27; 40/124.01, 124.08, 700, 743,
40/798, 800

See application file for complete search history.

(56) **References Cited**

U.S. PATENT DOCUMENTS

2,901,852 A * 9/1959 Hall A41G 1/00
264/279
D308,350 S * 6/1990 England D11/132
D320,364 S * 10/1991 Hernandez D11/131
D381,182 S * 7/1997 Whited D99/17
D435,601 S * 12/2000 Carter D20/11
6,652,685 B2 * 11/2003 Dallosta A01N 3/00
156/267
6,860,080 B2 * 3/2005 Trabucco B44C 5/00
40/800
D565,999 S * 4/2008 Bartlett D11/132
D756,838 S * 5/2016 Brodsko D11/131
D756,839 S * 5/2016 Brodsko D11/131
D768,398 S * 10/2016 Vitale D6/300

OTHER PUBLICATIONS

Industrial Feather Wall Art (via amazon.com), available Dec. 19,
2017, [online], [site visited Oct. 27, 2019]. Available from internet,
URL: <https://www.amazon.co.uk/Industrial-Feather-Weathered-Urban-Legacy/dp/B078HJMS5V> (Year: 2017).*

* cited by examiner

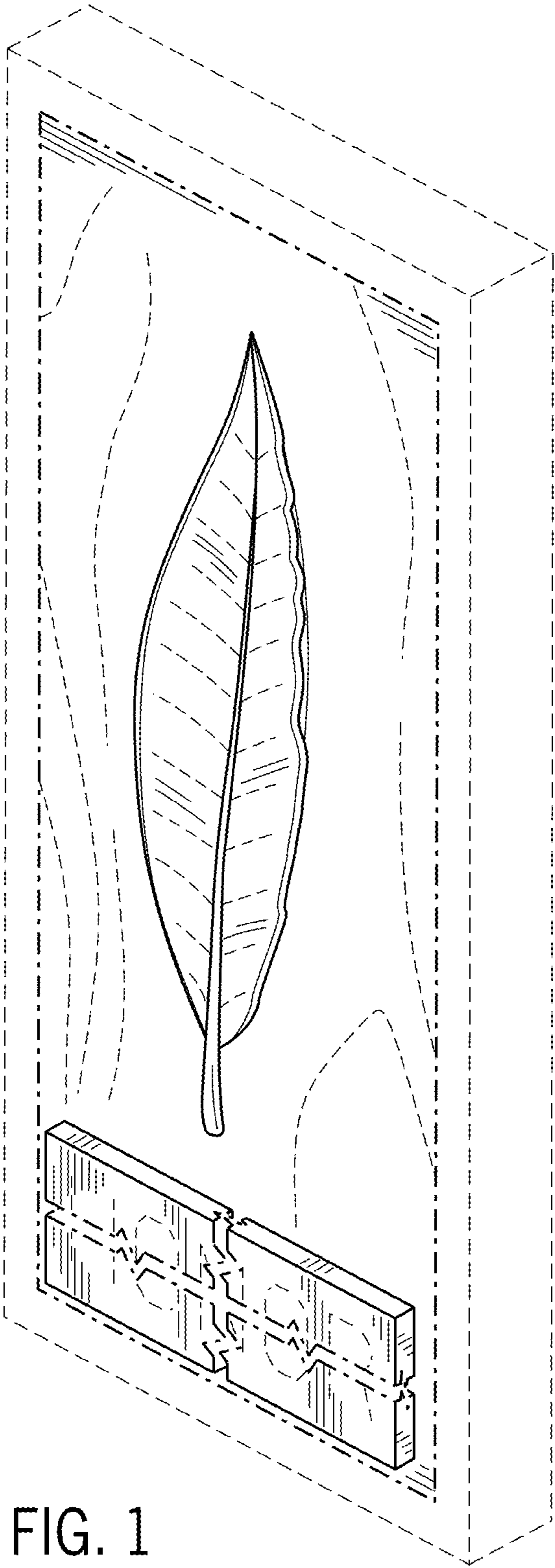


FIG. 1

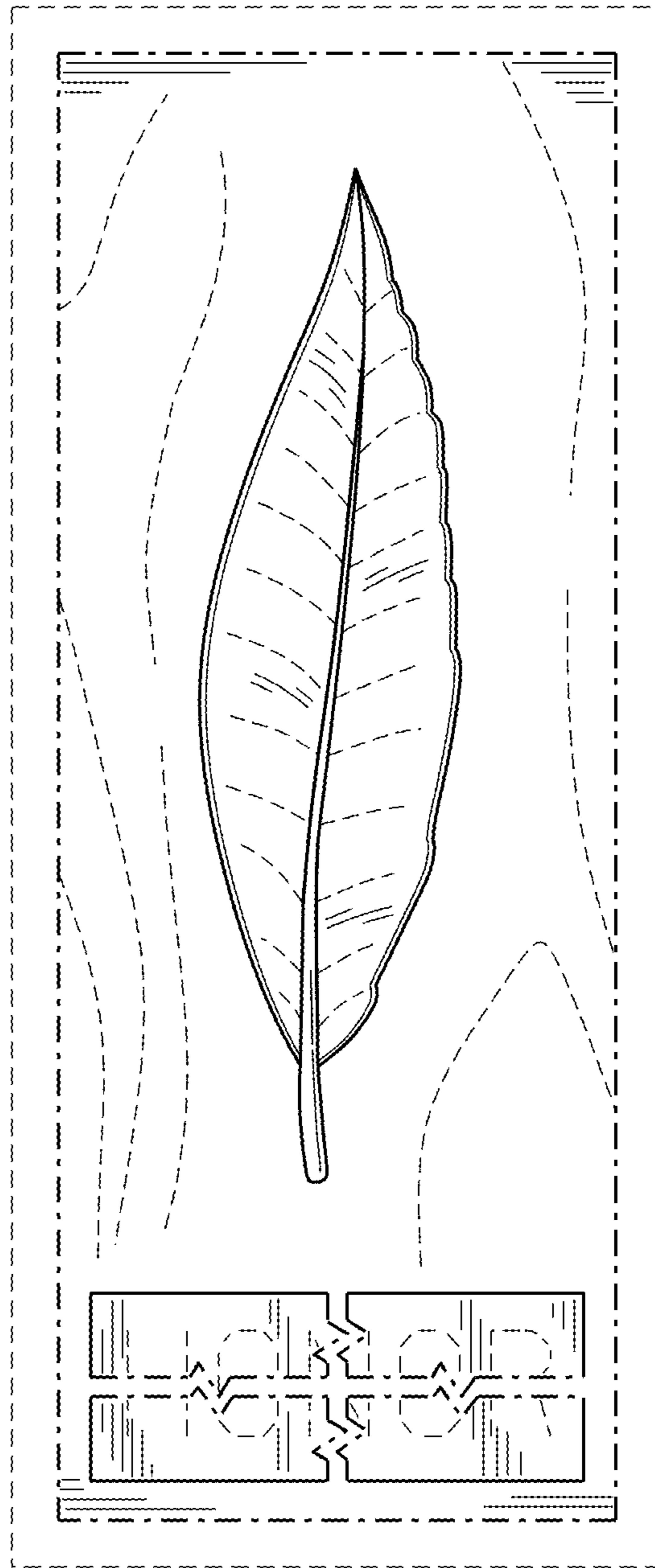


FIG. 2

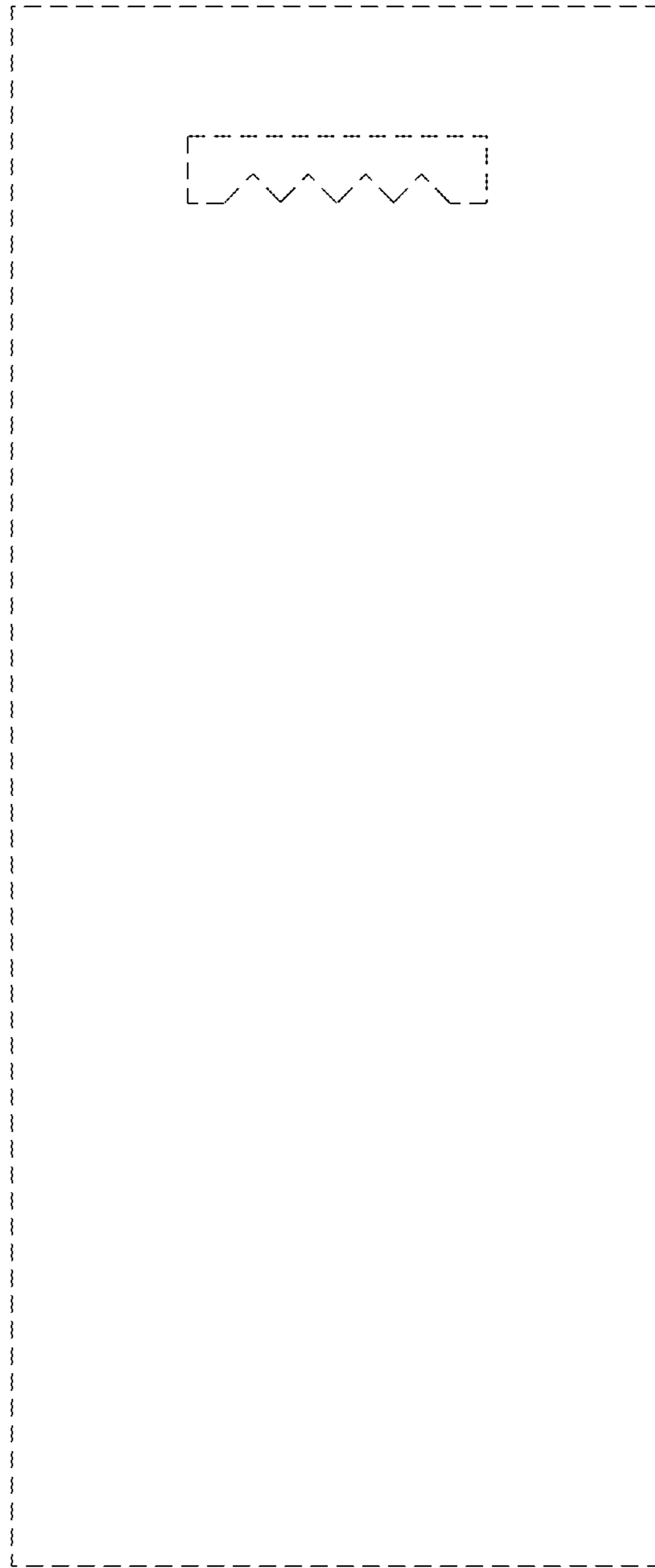


FIG. 3

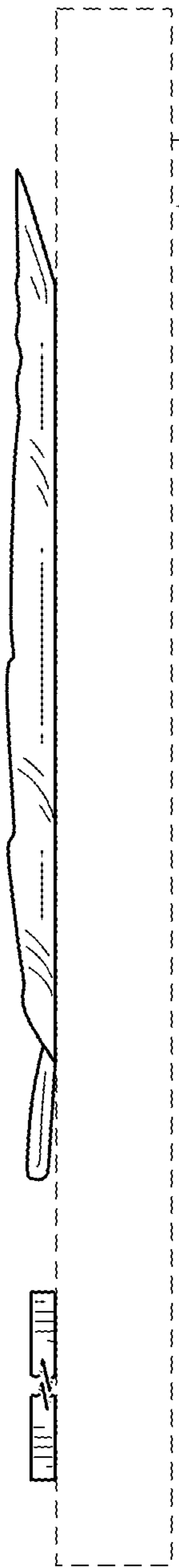


FIG. 4



FIG. 5

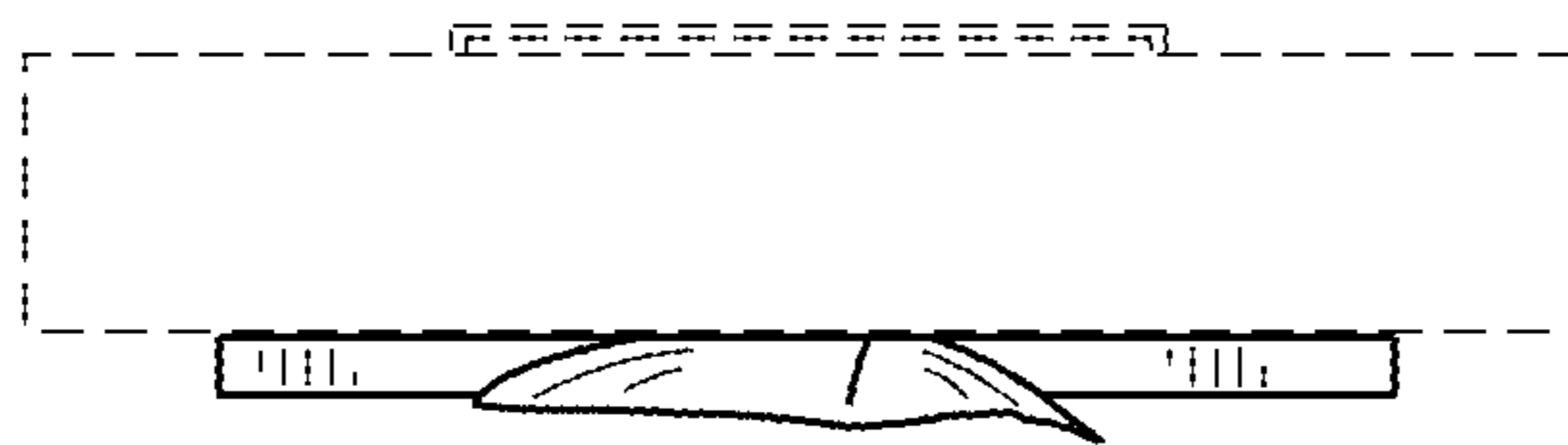


FIG. 6



FIG. 7

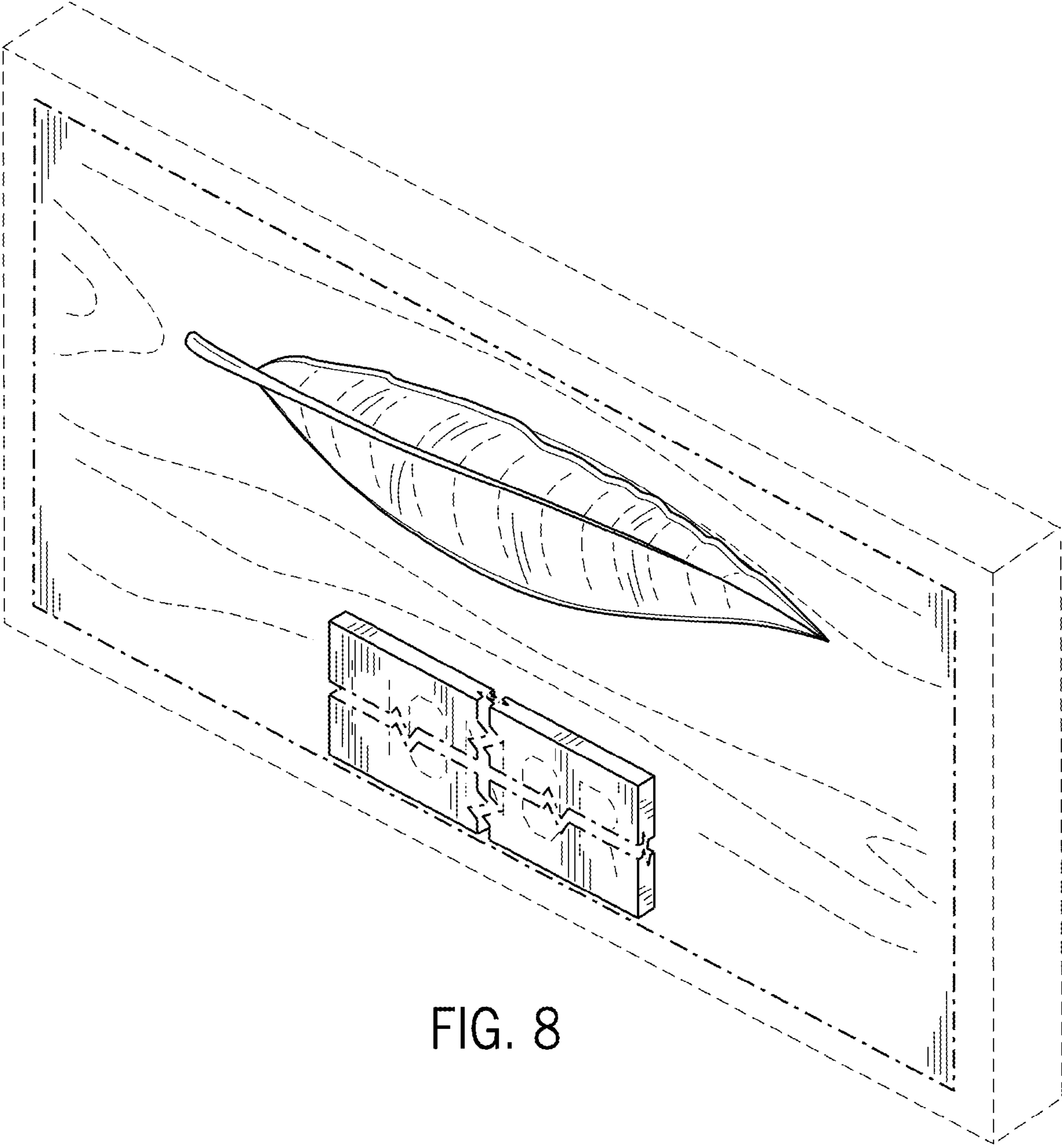


FIG. 8

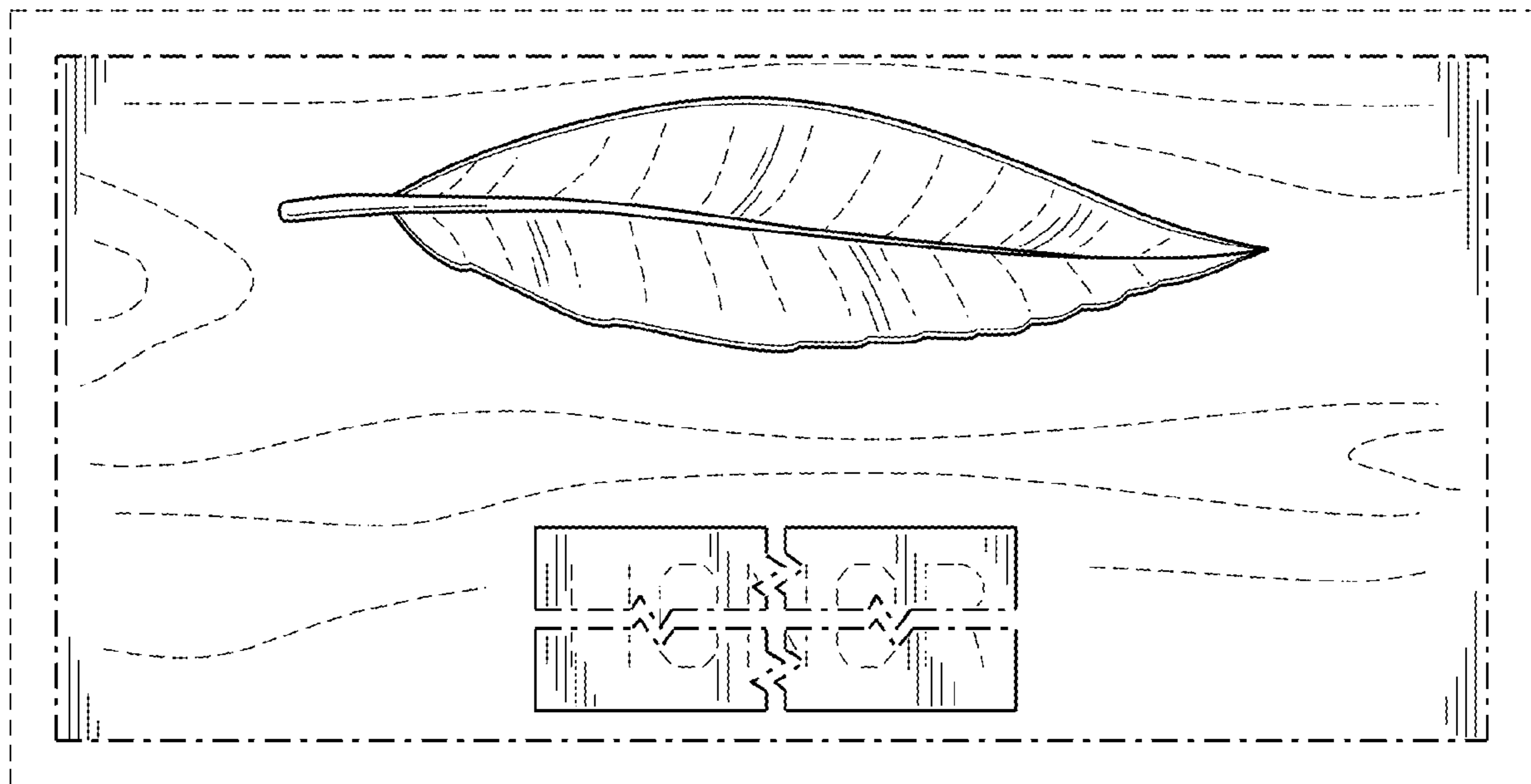


FIG. 9

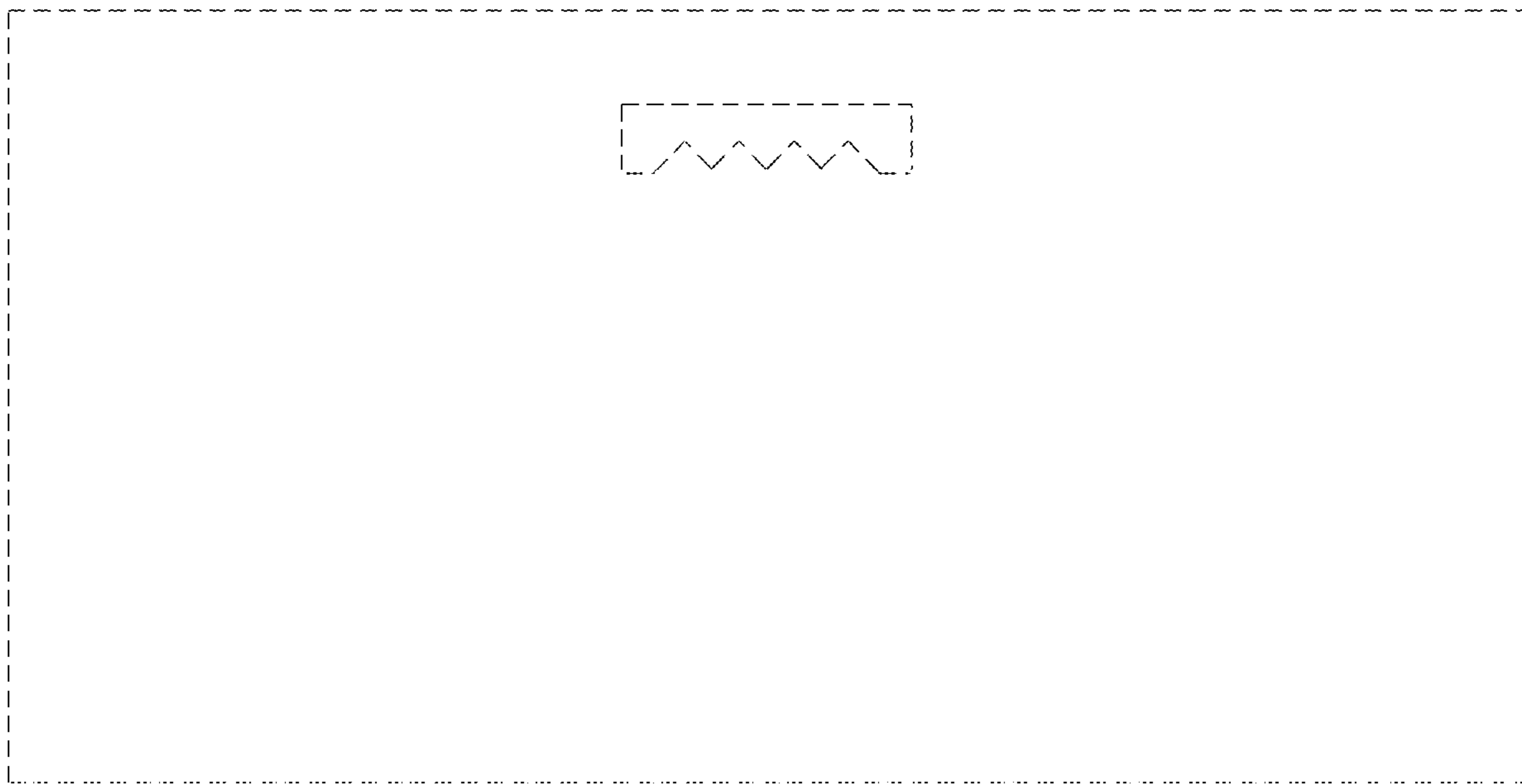


FIG. 10

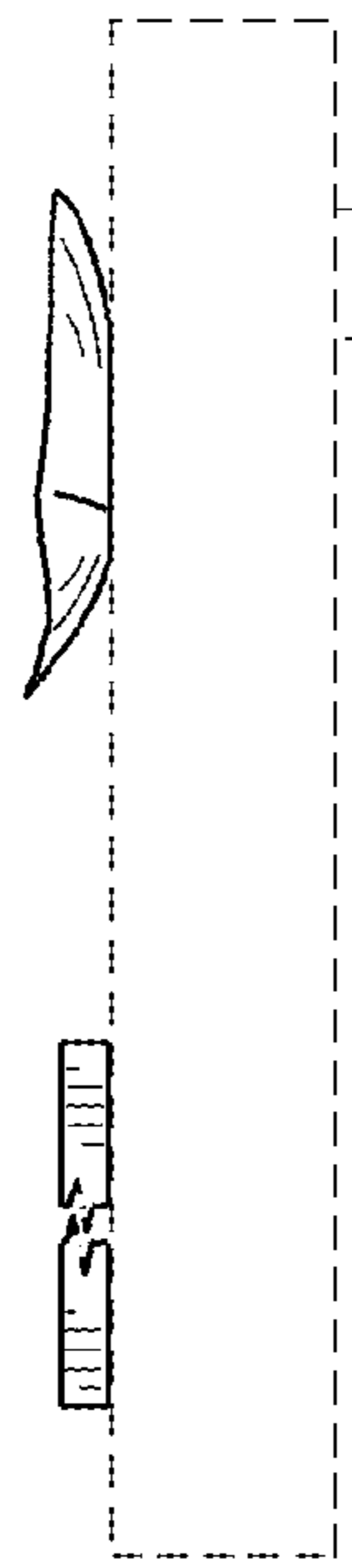


FIG. 11



FIG. 12



FIG. 13

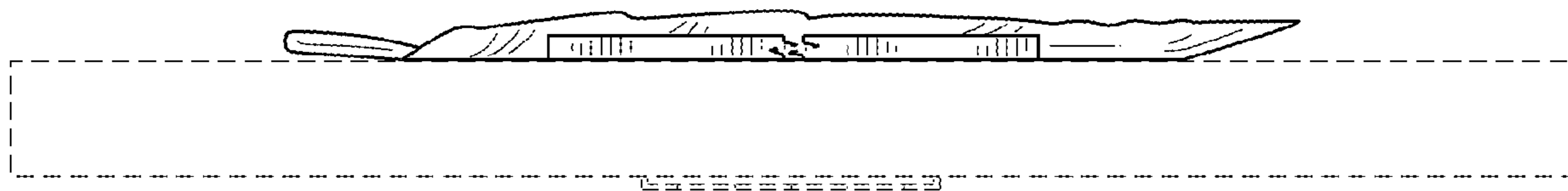


FIG. 14

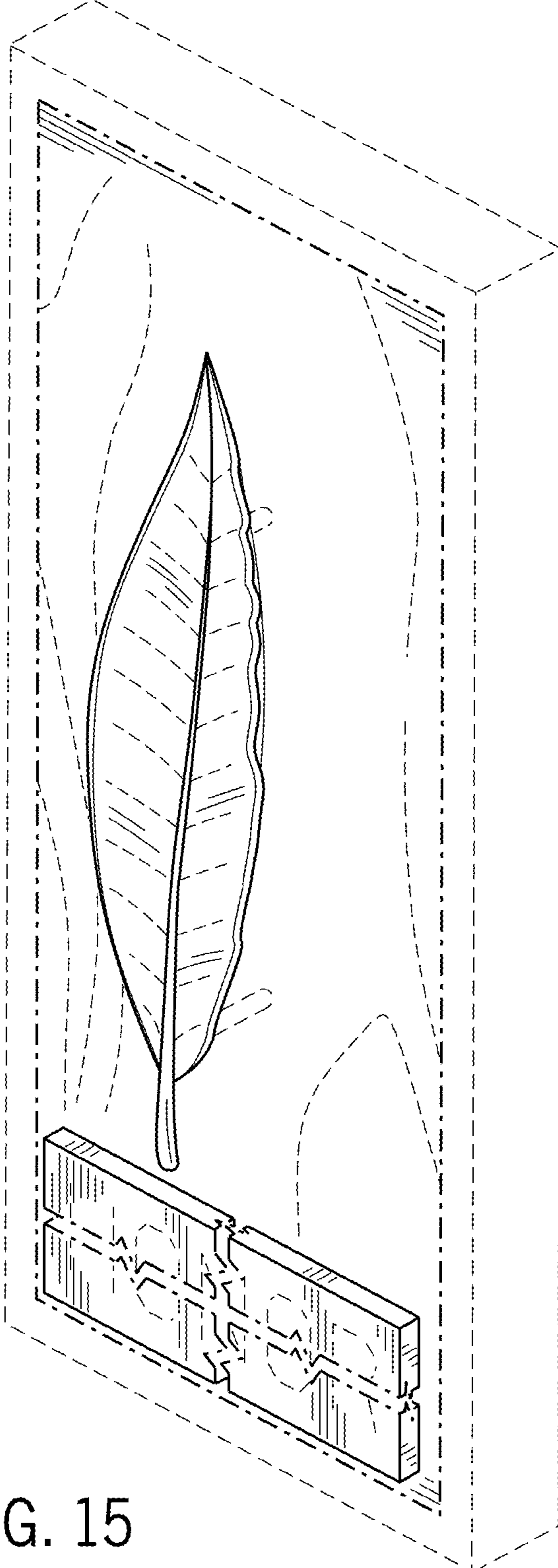


FIG. 15

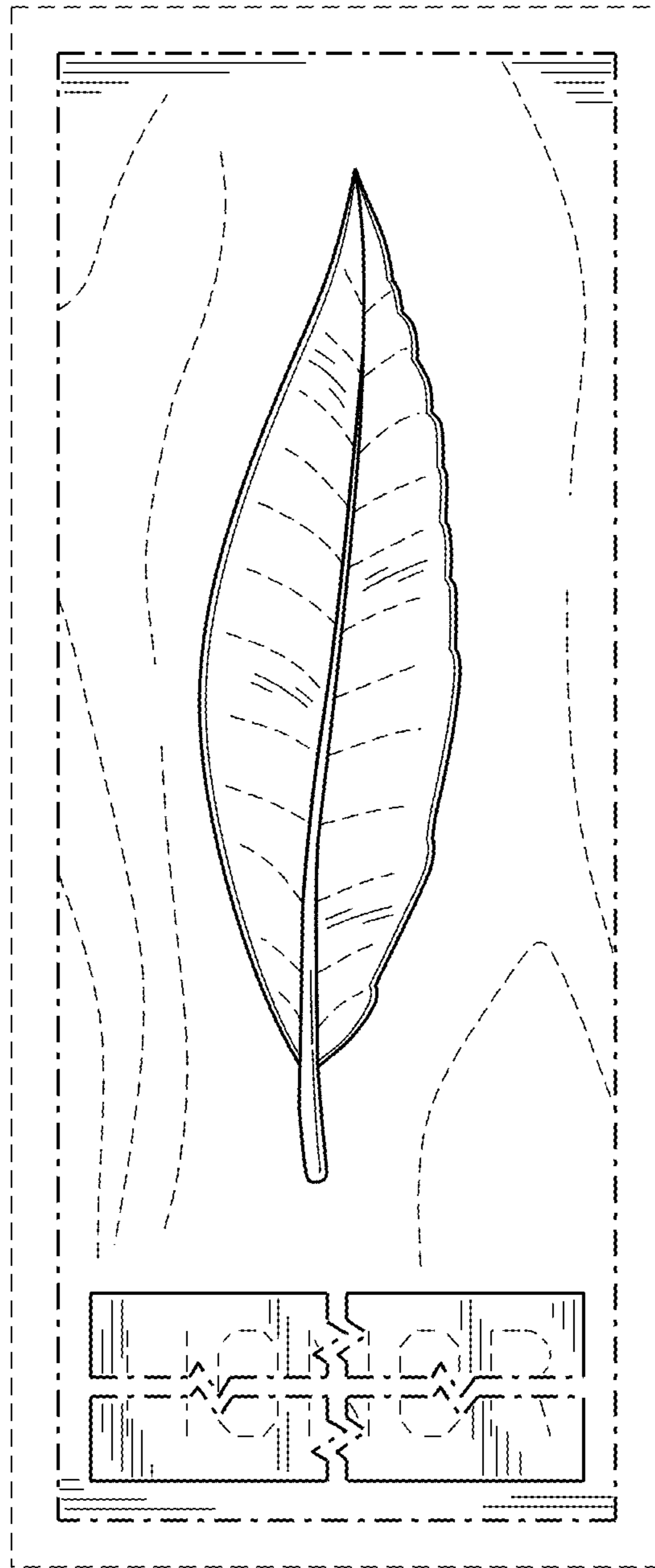


FIG. 16

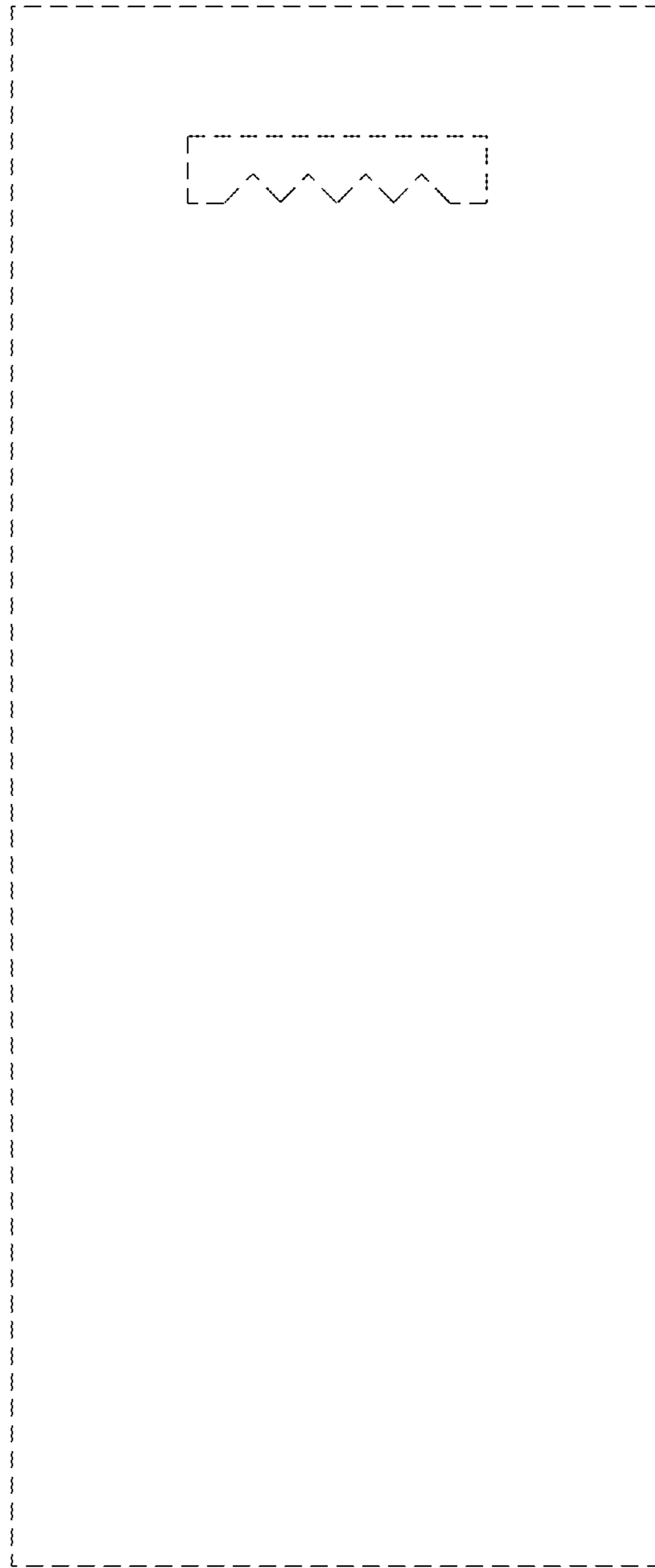


FIG. 17

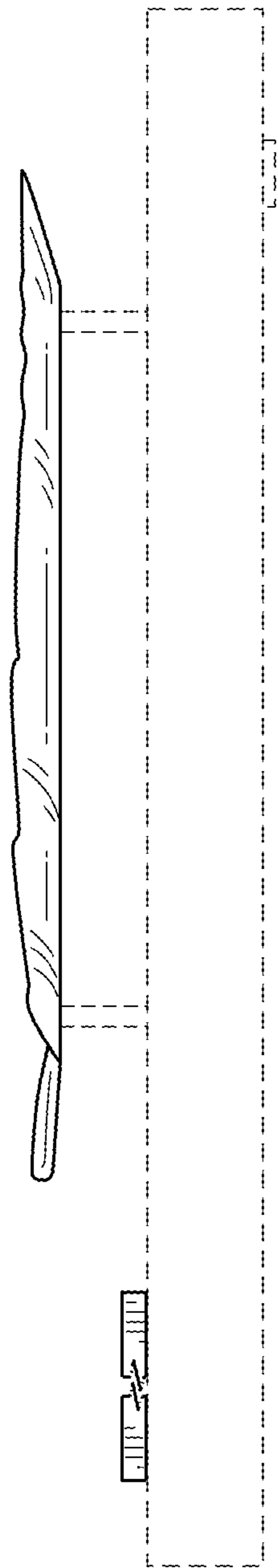


FIG. 18

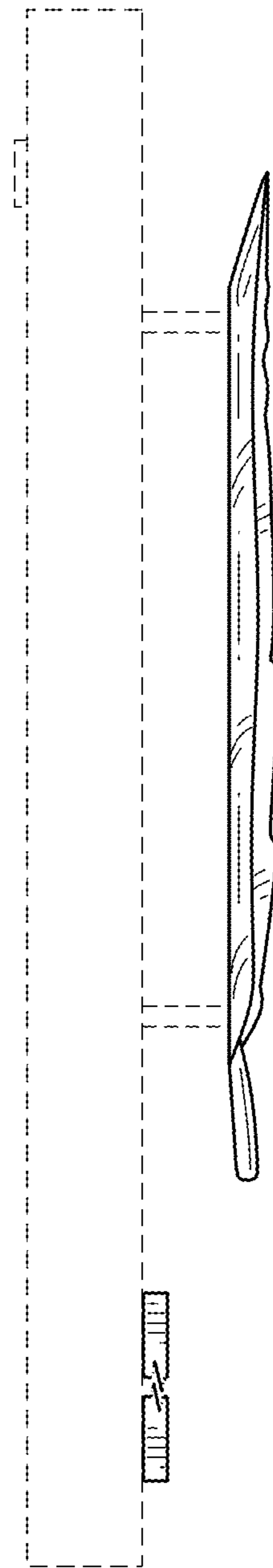


FIG. 19

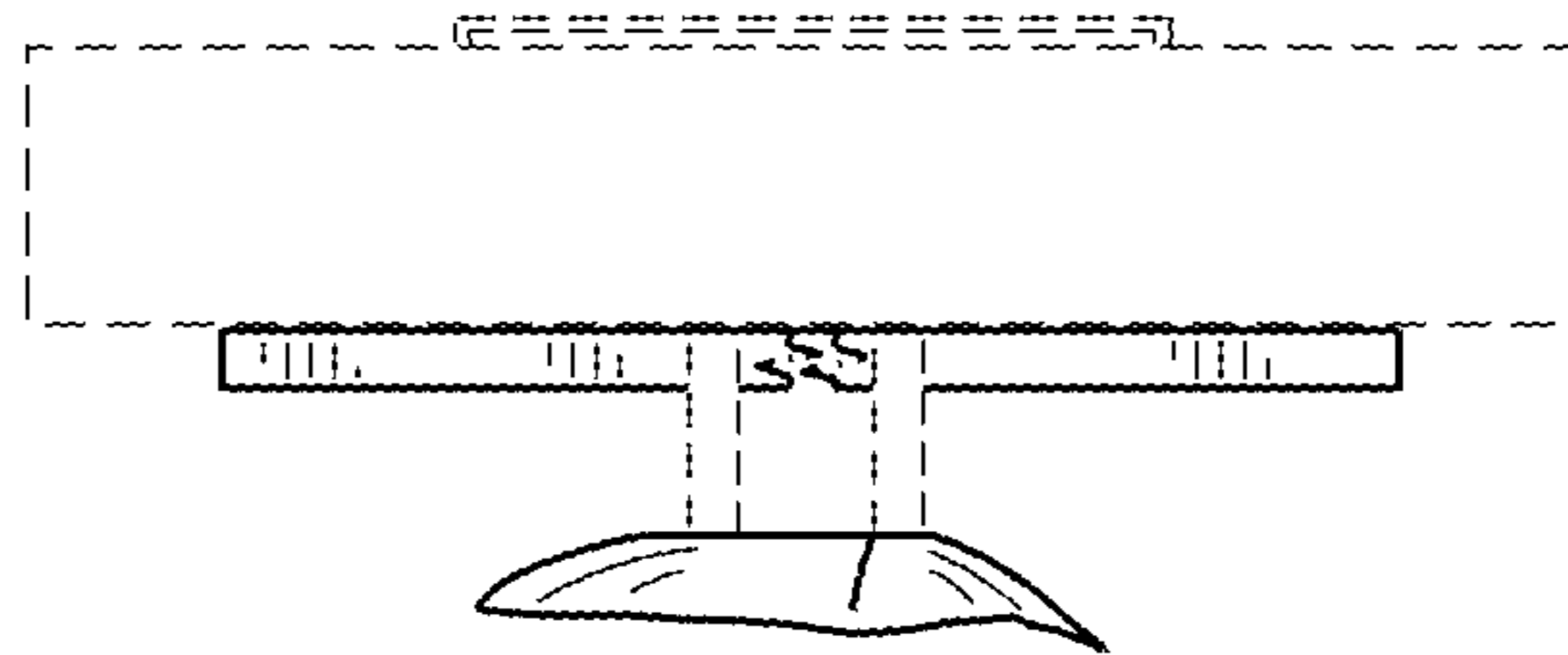


FIG. 20

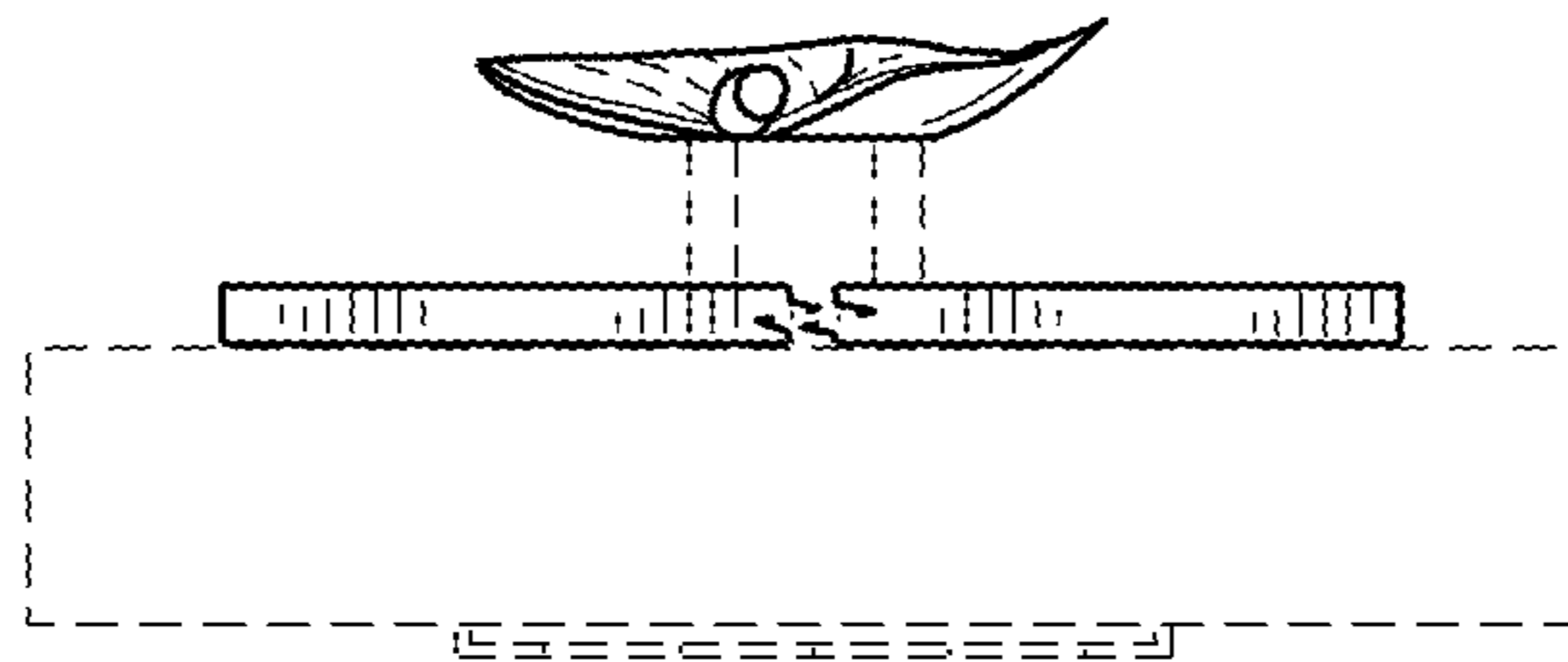


FIG. 21

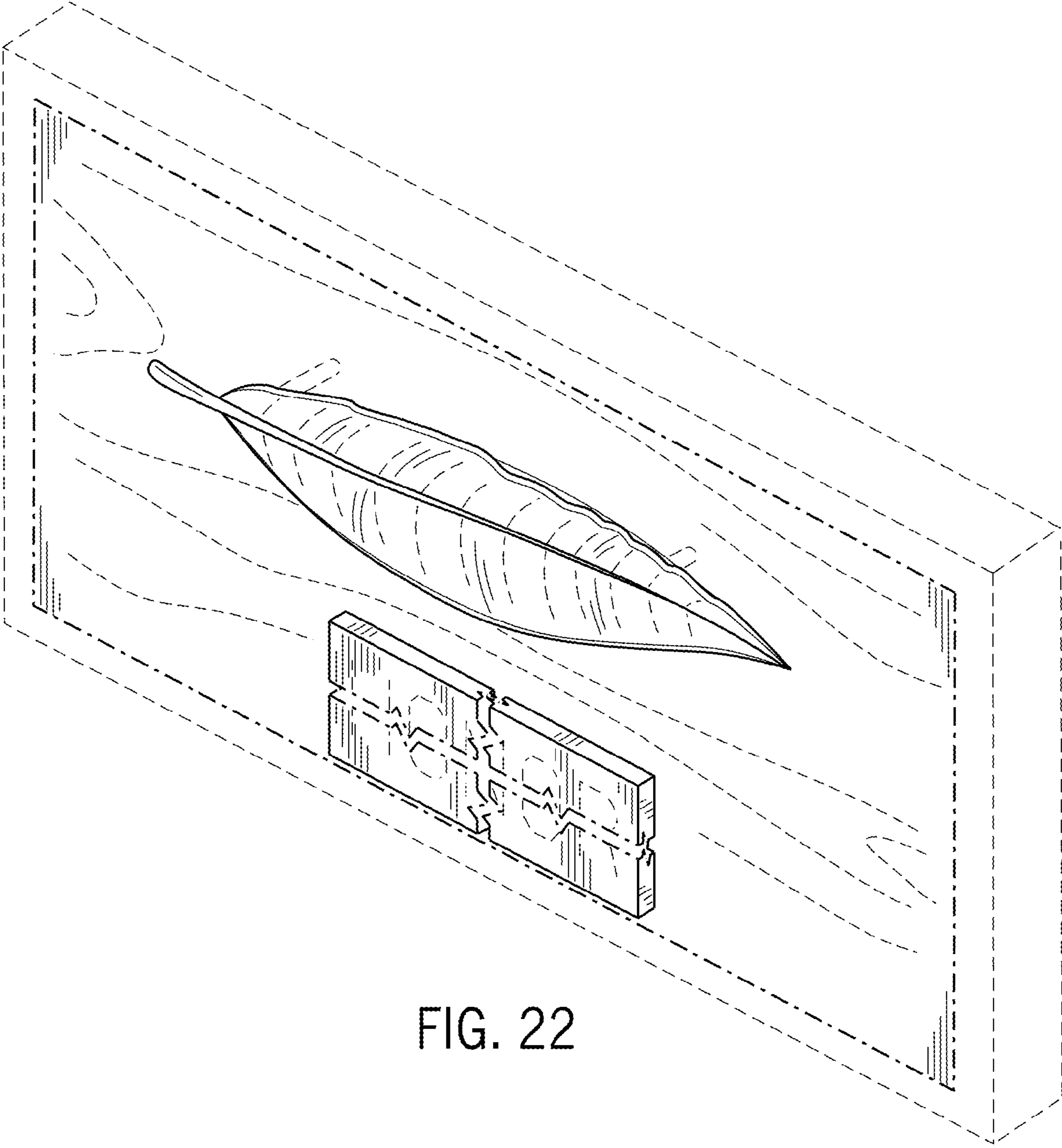


FIG. 22

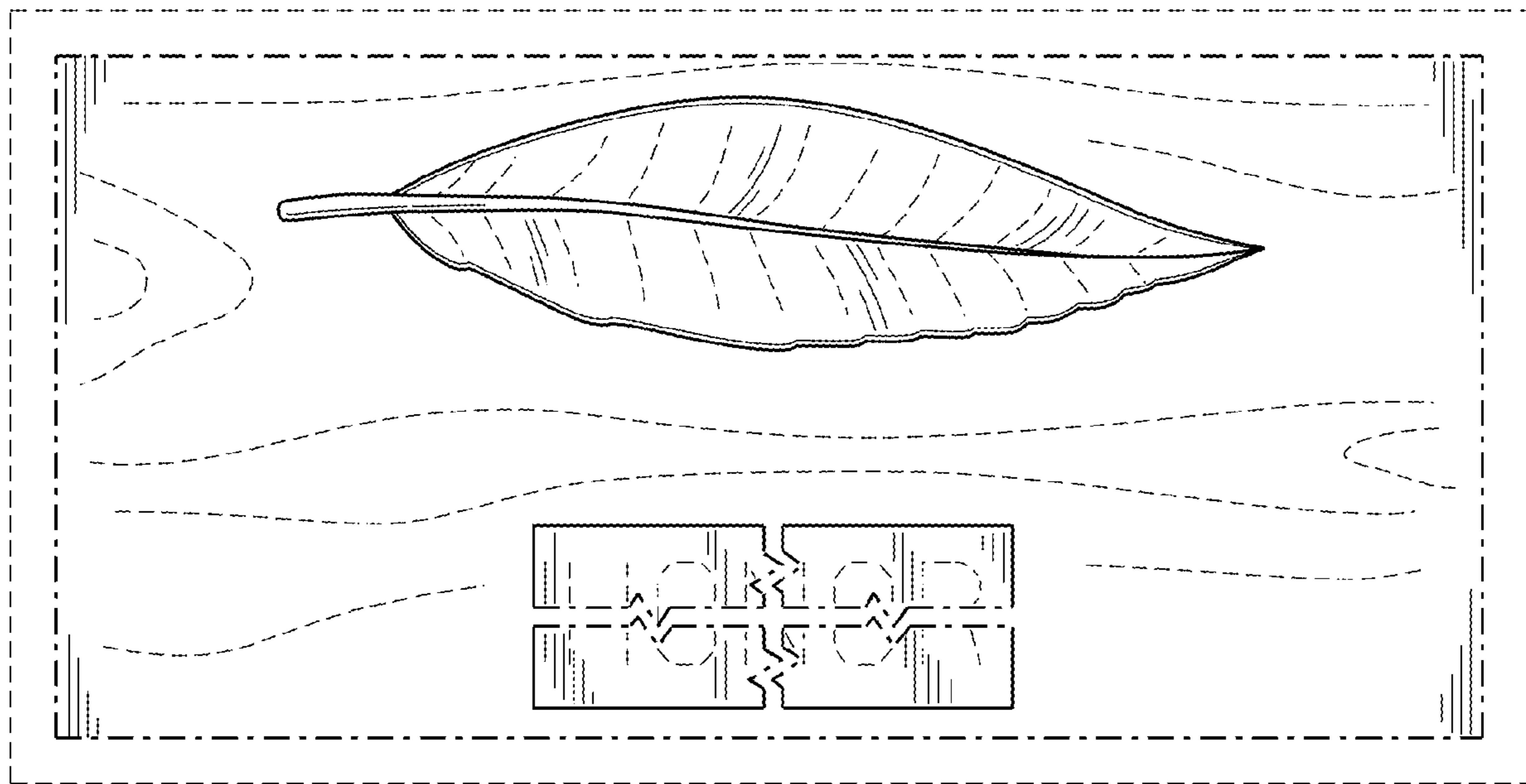


FIG. 23

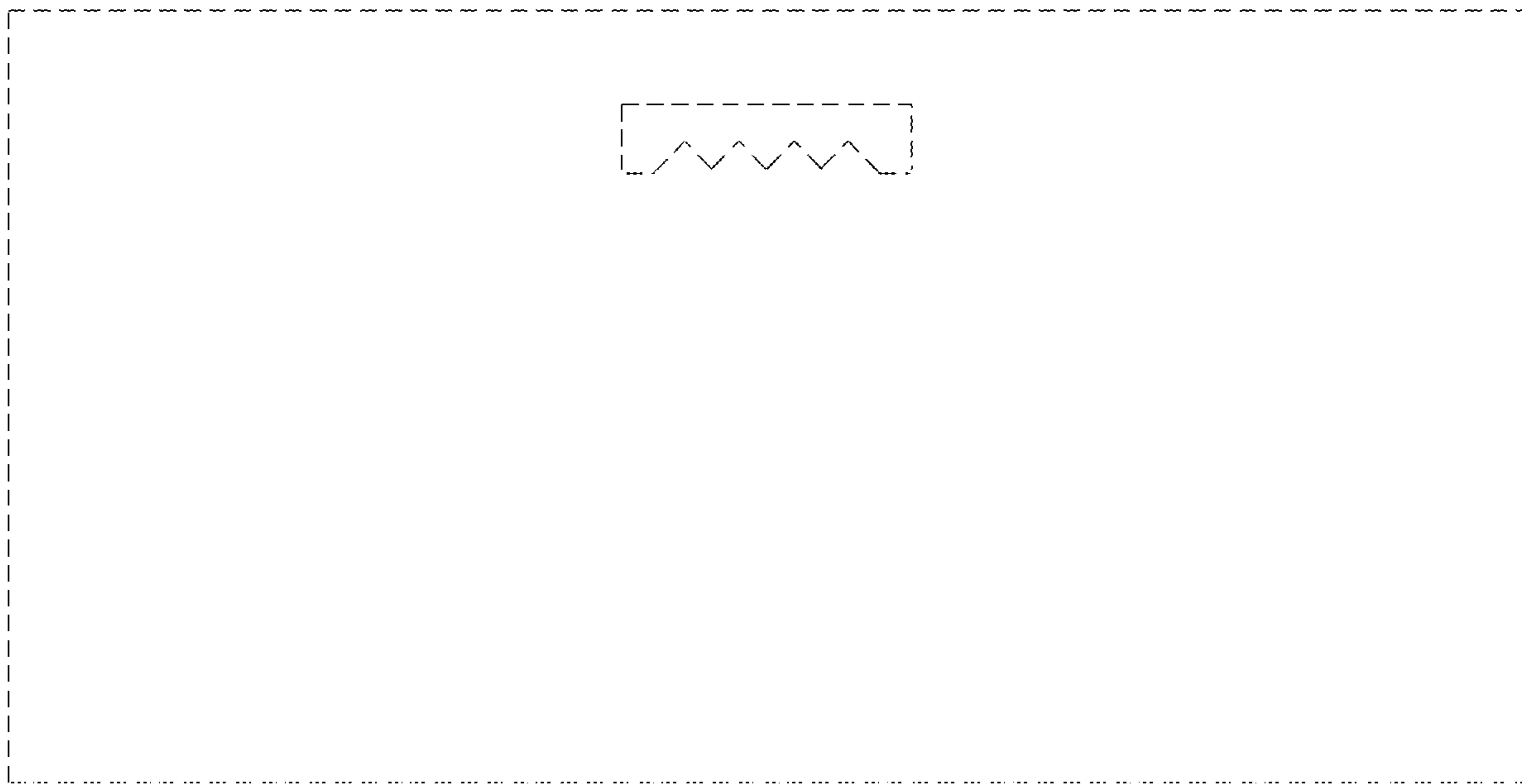


FIG. 24

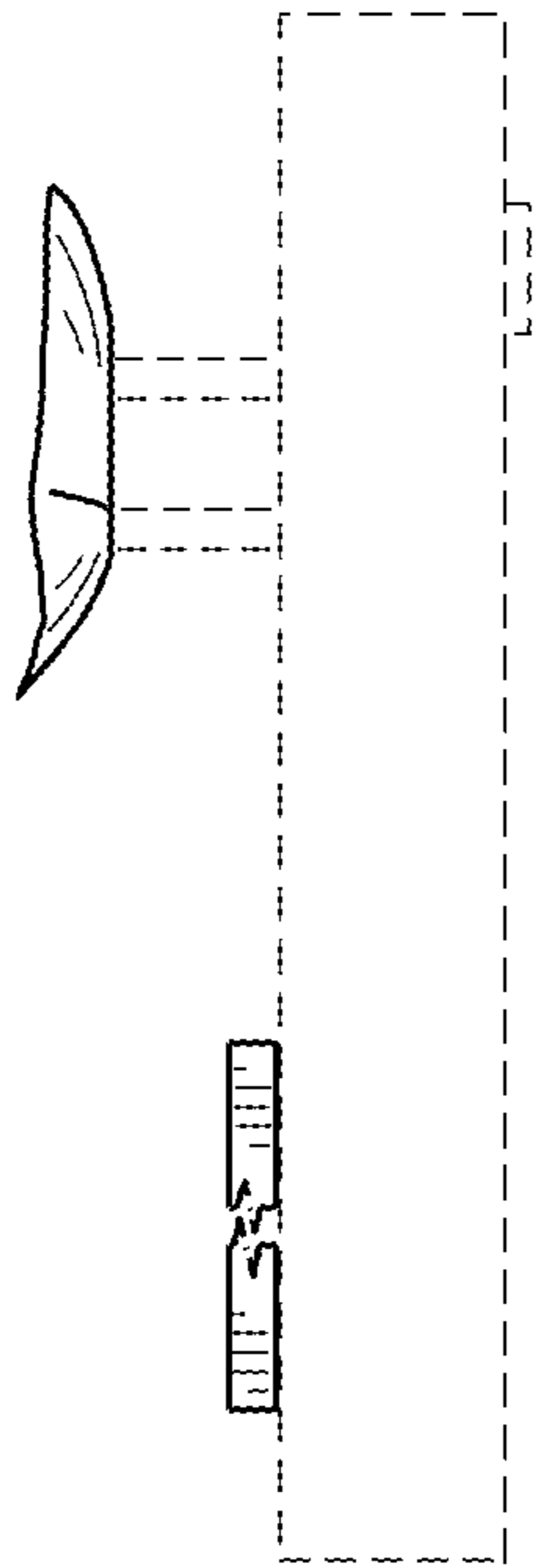


FIG. 25

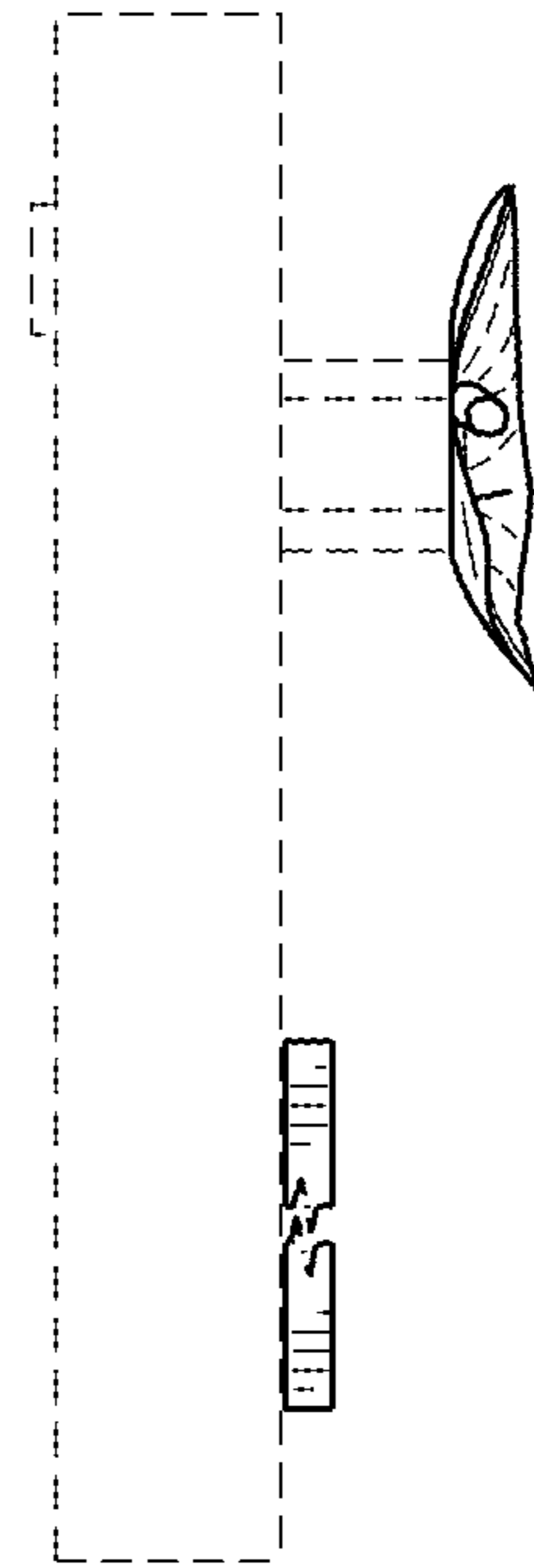


FIG. 26

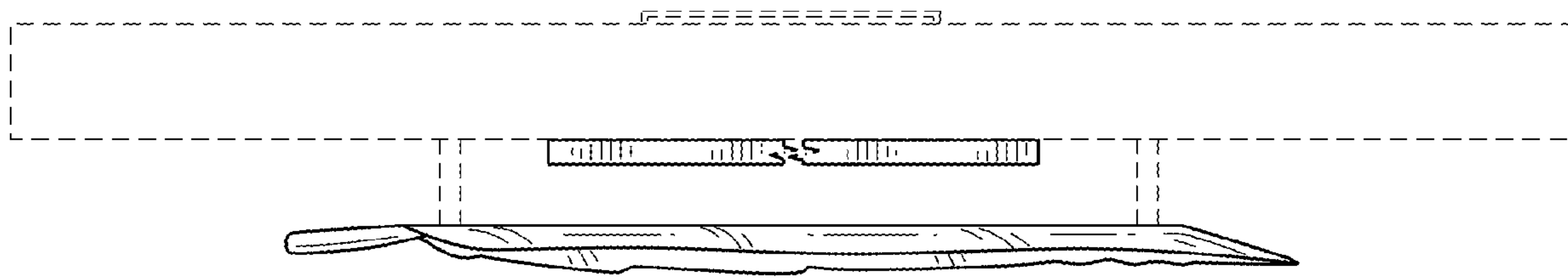


FIG. 27

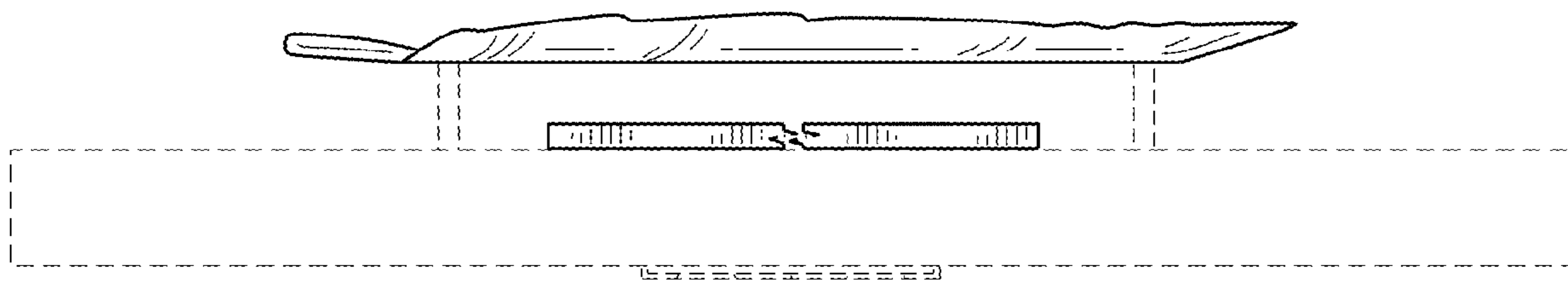


FIG. 28