



US00D876275S

(12) **United States Design Patent**
Huang

(10) **Patent No.:** **US D876,275 S**

(45) **Date of Patent:** **** Feb. 25, 2020**

(54) **LIGHTED PALM TREE ASSEMBLY**

(71) Applicant: **Ming's Mark Inc.**, Phoenix, AZ (US)

(72) Inventor: **De Wang Huang**, Taishan (CN)

(73) Assignee: **MING'S MARK INC.**, Phoenix, AZ
(US)

(**) Term: **15 Years**

(21) Appl. No.: **29/606,531**

(22) Filed: **Jun. 5, 2017**

(51) **LOC (12) Cl.** **11-04**

(52) **U.S. Cl.**
USPC **D11/118**

(58) **Field of Classification Search**
USPC D11/117, 118, 121, 125, 130, 131, 132,
D11/133, 143, 144, 149, 157, 164
(Continued)

(56) **References Cited**

U.S. PATENT DOCUMENTS

D65,617 S * 9/1924 Schuster D11/117
2,070,825 A * 2/1937 Buhrow A41G 1/00
211/60.1

(Continued)

FOREIGN PATENT DOCUMENTS

CN 2419466 Y 2/2001

OTHER PUBLICATIONS

American RV Company, Mings Mark 8080104 Green LongLife
Decorative Palm Tree LED Rope Light 7 ft, <http://www.americanrvcompany.com/Mings-Mark-8080104-Green-LongLife-Decorative-Palm-Tree-LED-Rope-Light-7-ft>, May 9, 2017.

(Continued)

Primary Examiner — Elizabeth J Oswecki

(74) *Attorney, Agent, or Firm* — Bryan Cave Leighton
Paisner LLP

(57) **CLAIM**

The ornamental design for a lighted palm tree assembly, as
shown and described.

DESCRIPTION

FIG. 1 is a front, right, top perspective view of a first
embodiment of a lighted palm tree assembly showing my
new design;

FIG. 2 is a right side view thereof;

FIG. 3 is a left side view thereof;

FIG. 4 is a front view thereof;

FIG. 5 is a back view thereof;

FIG. 6 is a front, left, top perspective view of a second
embodiment of a lighted palm tree assembly showing my
new design;

FIG. 7 is a right side view thereof;

FIG. 8 is a left side view thereof;

FIG. 9 is a front view thereof;

FIG. 10 is a back view thereof;

FIG. 11 is an enlarged view of dashed encircled portion,
FIG. 11 of FIG. 1;

FIG. 12 is an enlarged view of dashed encircled portion,
FIG. 12 of FIG. 1;

FIG. 13 is an enlarged view of dashed encircled portion,
FIG. 13 of FIG. 1;

FIG. 14 is an enlarged view of dashed encircled portion,
FIG. 14 of FIG. 2;

FIG. 15 is an enlarged view of dashed encircled portion,
FIG. 15 of FIG. 2;

FIG. 16 is an enlarged view of dashed encircled portion,
FIG. 16 of FIG. 2;

FIG. 17 is an enlarged view of dashed encircled portion,
FIG. 17 of FIG. 4;

FIG. 18 is an enlarged view of dashed encircled portion,
FIG. 18 of FIG. 4;

FIG. 19 is an enlarged view of dashed encircled portion,
FIG. 19 of FIG. 4;

FIG. 20 is an enlarged view of dashed encircled portion,
FIG. 20 of FIG. 6;

(Continued)

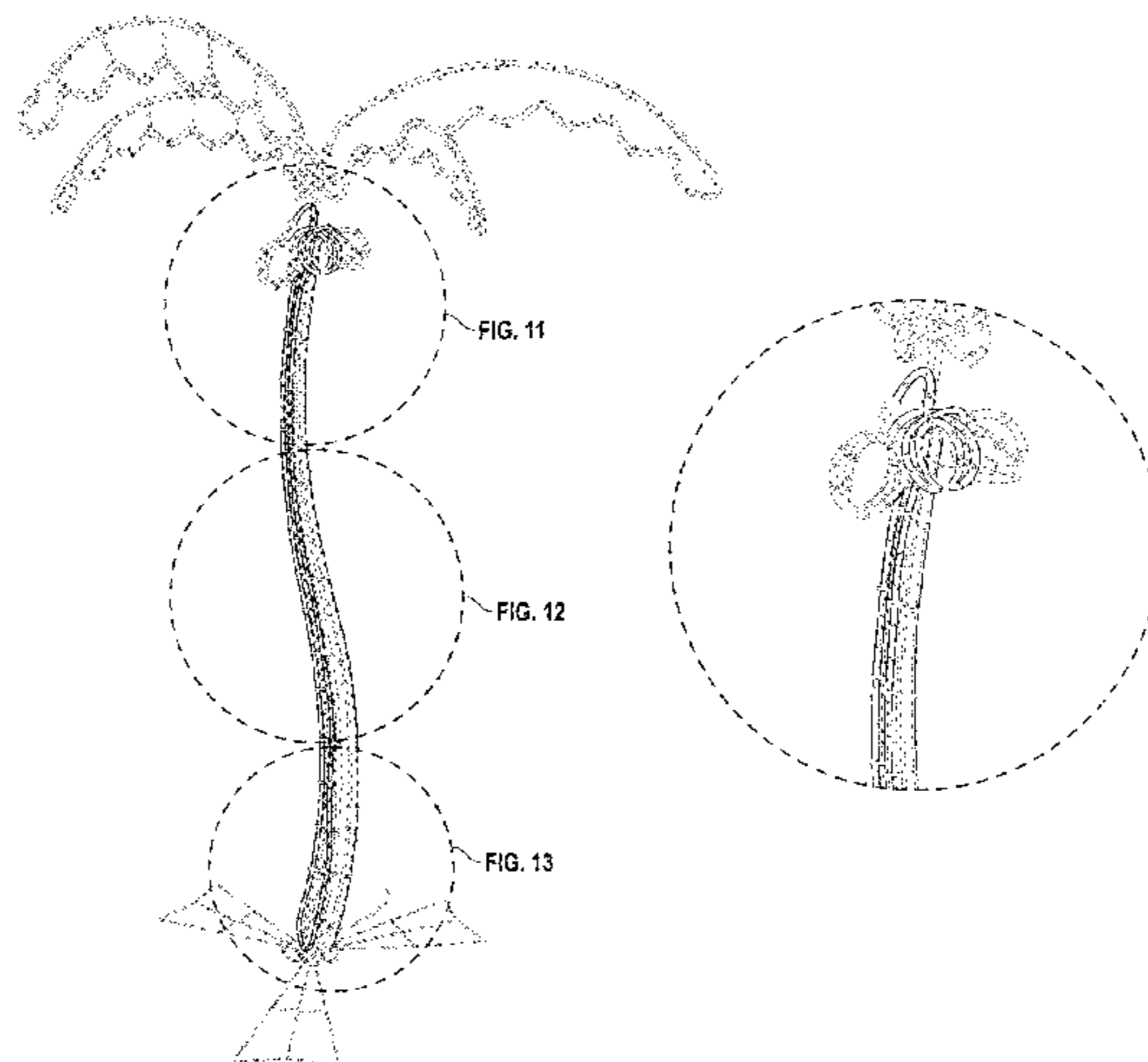


FIG. 21 is an enlarged view of dashed encircled portion, FIG. 21 of FIG. 6;
 FIG. 22 is an enlarged view of dashed encircled portion, FIG. 22 of FIG. 8;
 FIG. 23 is an enlarged view of dashed encircled portion, FIG. 23 of FIG. 8;
 FIG. 24 is an enlarged view of dashed encircled portion, FIG. 24 of FIG. 10; and,
 FIG. 25 is an enlarged view of dashed encircled portion, FIG. 25 of FIG. 10.

The solid lines, depicting a configuration of a rope of lights in the drawings, represent the claimed portions of the lighted palm tree assembly. The broken lines shown in the drawings represent portions of the lighted palm tree assembly, that form no part of the claimed design.

1 Claim, 18 Drawing Sheets

(58) Field of Classification Search

CPC A47G 33/00; A47G 33/04; A47G 33/045;
 A47G 33/06; A47G 33/08; A47G
 2033/0827; F21S 4/00; F21S 4/10
 See application file for complete search history.

(56) References Cited

U.S. PATENT DOCUMENTS

2,080,523 A * 5/1937 Williams A41G 1/00
 428/18
 D123,163 S * 10/1940 Hirsch D11/49
 2,251,705 A * 8/1941 Gonzalez A41G 1/001
 40/1
 2,251,706 A * 8/1941 Loewy B44F 9/00
 165/45
 D131,462 S * 3/1942 Barbieri D11/64
 D159,135 S * 6/1950 Blaich D11/118
 D159,579 S * 8/1950 Berger D21/585
 D182,140 S * 2/1958 Molke D11/118
 3,144,375 A * 8/1964 Day A41G 1/007
 248/188.1
 D244,570 S * 6/1977 Taylor 428/18
 D309,639 S * 7/1990 Knudsen 428/18
 5,085,900 A * 2/1992 Hamlett A41G 1/007
 156/61
 5,091,227 A * 2/1992 Wright A41G 1/007
 156/61
 D336,557 S * 6/1993 Wade D30/160

D340,003 S * 10/1993 Wright D11/118
 D343,318 S * 1/1994 Curitti D11/118
 D349,454 S * 8/1994 Shumway D11/118
 5,340,622 A * 8/1994 Curitti A41G 1/00
 428/18
 D370,556 S * 6/1996 Yu D3/5
 D377,585 S * 1/1997 McArdle D6/354
 D390,157 S * 2/1998 Burnett 40/406
 D401,886 S * 12/1998 Burnett D11/131
 6,434,889 B1 * 8/2002 Jones E04H 12/08
 428/20
 6,599,591 B1 * 7/2003 Scott A41G 1/007
 211/196
 D486,567 S * 2/2004 Sakai D23/332
 D488,971 S * 4/2004 Kelleghan D8/38
 6,869,198 B1 * 3/2005 Garza A41G 1/007
 362/122
 D531,539 S * 11/2006 Barthelmess D11/118
 D539,188 S * 3/2007 Barthelmess D11/118
 D540,064 S * 4/2007 Barthelmess D11/118
 D541,038 S * 4/2007 Barthelmess D11/118
 D541,550 S * 5/2007 Barthelmess D11/118
 7,226,645 B1 * 6/2007 Braithwaite A41G 1/001
 211/190
 D549,613 S * 8/2007 Barthelmess D11/118
 D563,039 S * 2/2008 Welch D11/118
 D564,940 S * 3/2008 Carroll D11/157
 D565,998 S * 4/2008 Seichei D11/131
 D569,649 S * 5/2008 Barthelmess D11/118
 D621,635 S * 8/2010 Murphy D11/118
 D626,883 S * 11/2010 Rosario D11/117
 D635,307 S * 3/2011 Harmon D30/160
 D653,600 S * 2/2012 Hu D12/400
 D668,002 S * 9/2012 Mulligan D11/118
 D750,546 S * 3/2016 Windsor D12/400
 D760,114 S * 6/2016 Kabeiseman D11/118

OTHER PUBLICATIONS

Christmas Lights ETC, Lighted Palm Trees—4.5' Deluxe LED Lighted Palm Tree, <https://www.christmaslightsetc.com/p/4.5'-Deluxe-LED-Lighted-Palm-Tree-Rope-Light-Decorations-21689-62.htm>, May 9, 2017.
 Christmas Central, 6.5' Foot Indoor/Outdoor Lighted Tropical Palm Tree with Grapevine Design—21329466, <http://www.christmascentral.com/6-5-foot-indoor-outdoor-lighted-tropical-palm-tree-with-grapevine-design-21329466/>, May 9, 2017.
 Christmas Central, 30" Tropical Lighted Holographic Rope Light Outdoor Palm Tree Yard Decoration—6524233, <http://www.christmascentral.com/30-tropical-lighted-holographic-rope-light-outdoor-palm-tree-yard-decoration-6524233/>, May 9, 2017.

* cited by examiner

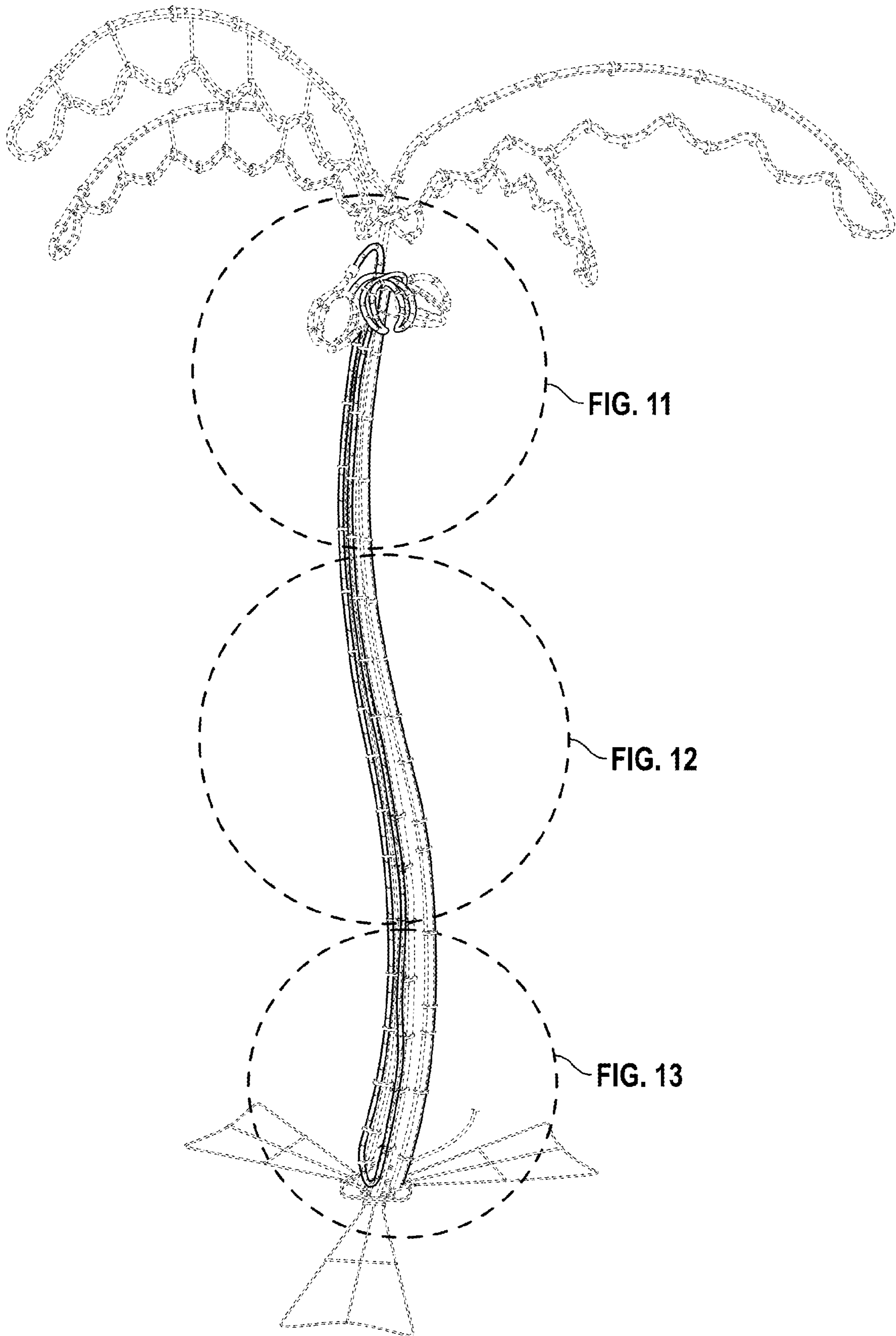
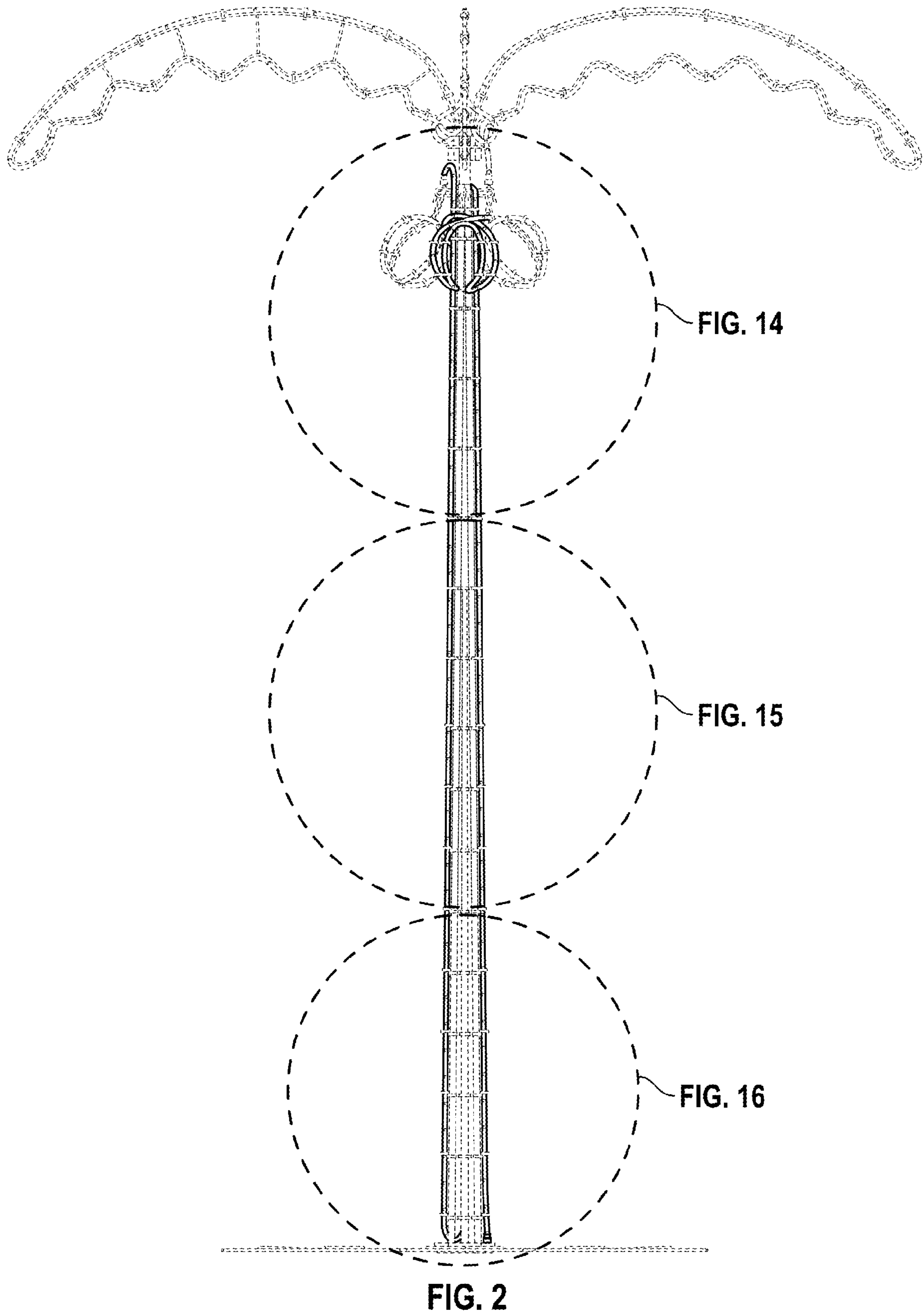


FIG. 1



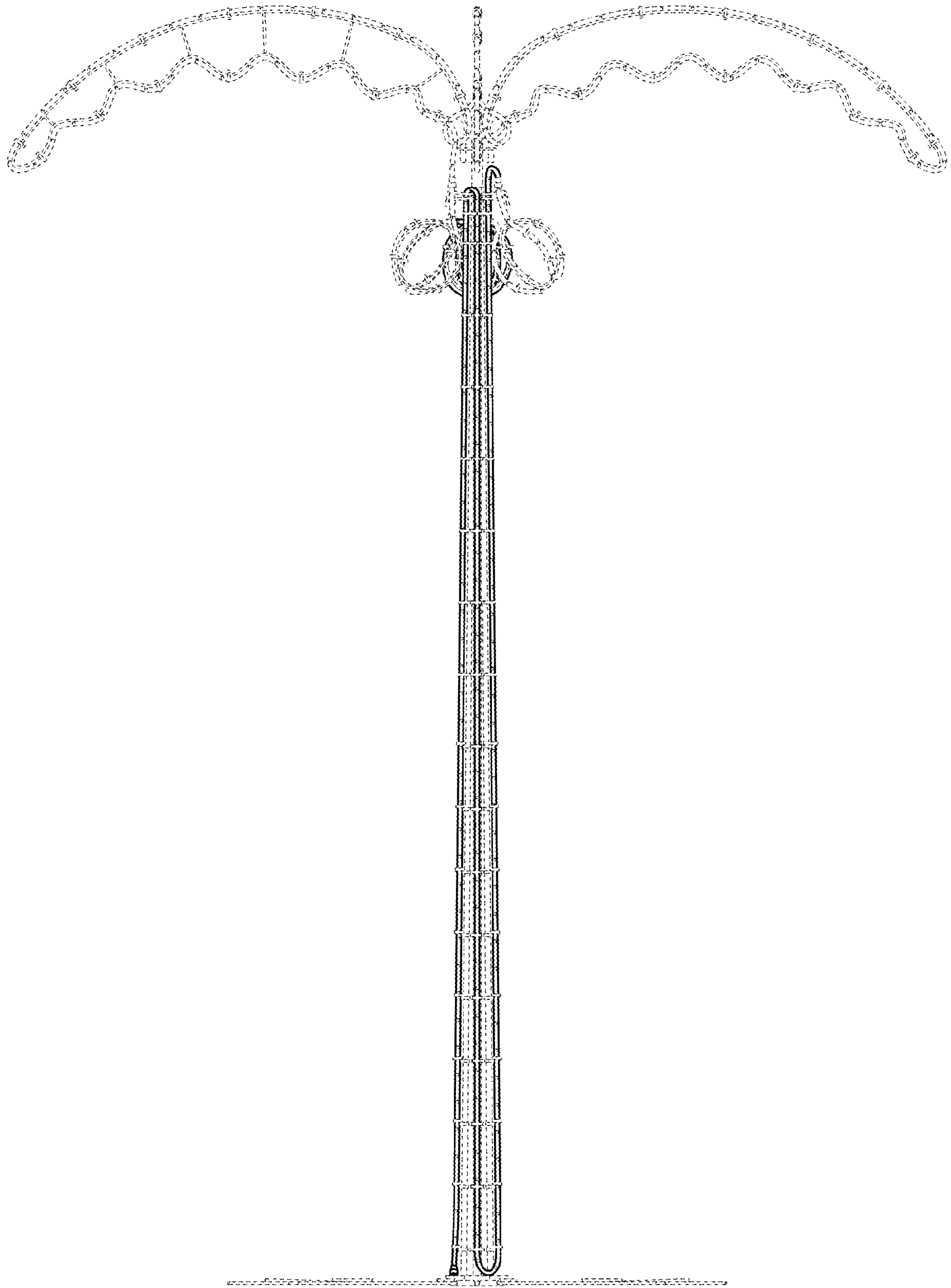
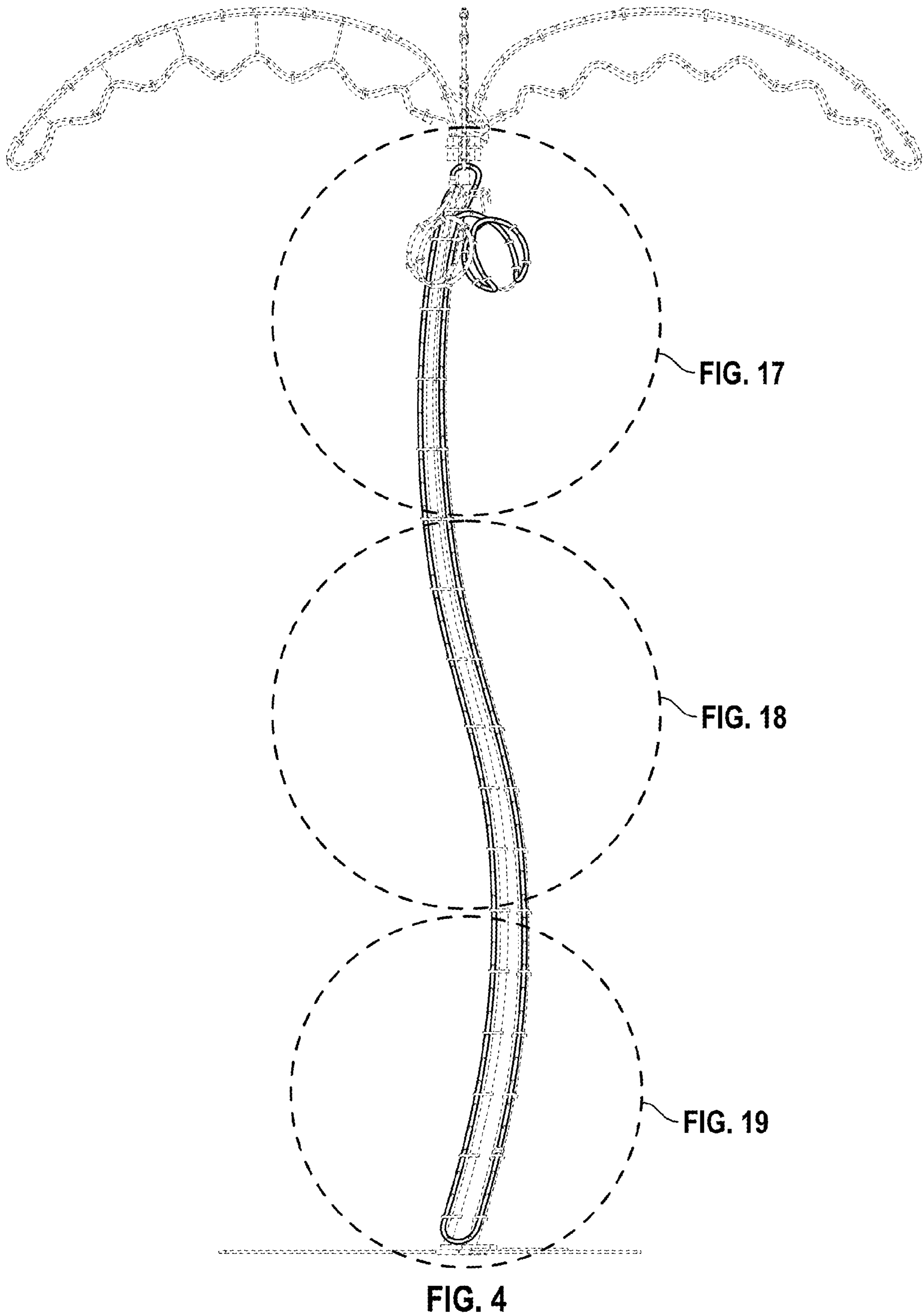


FIG. 3



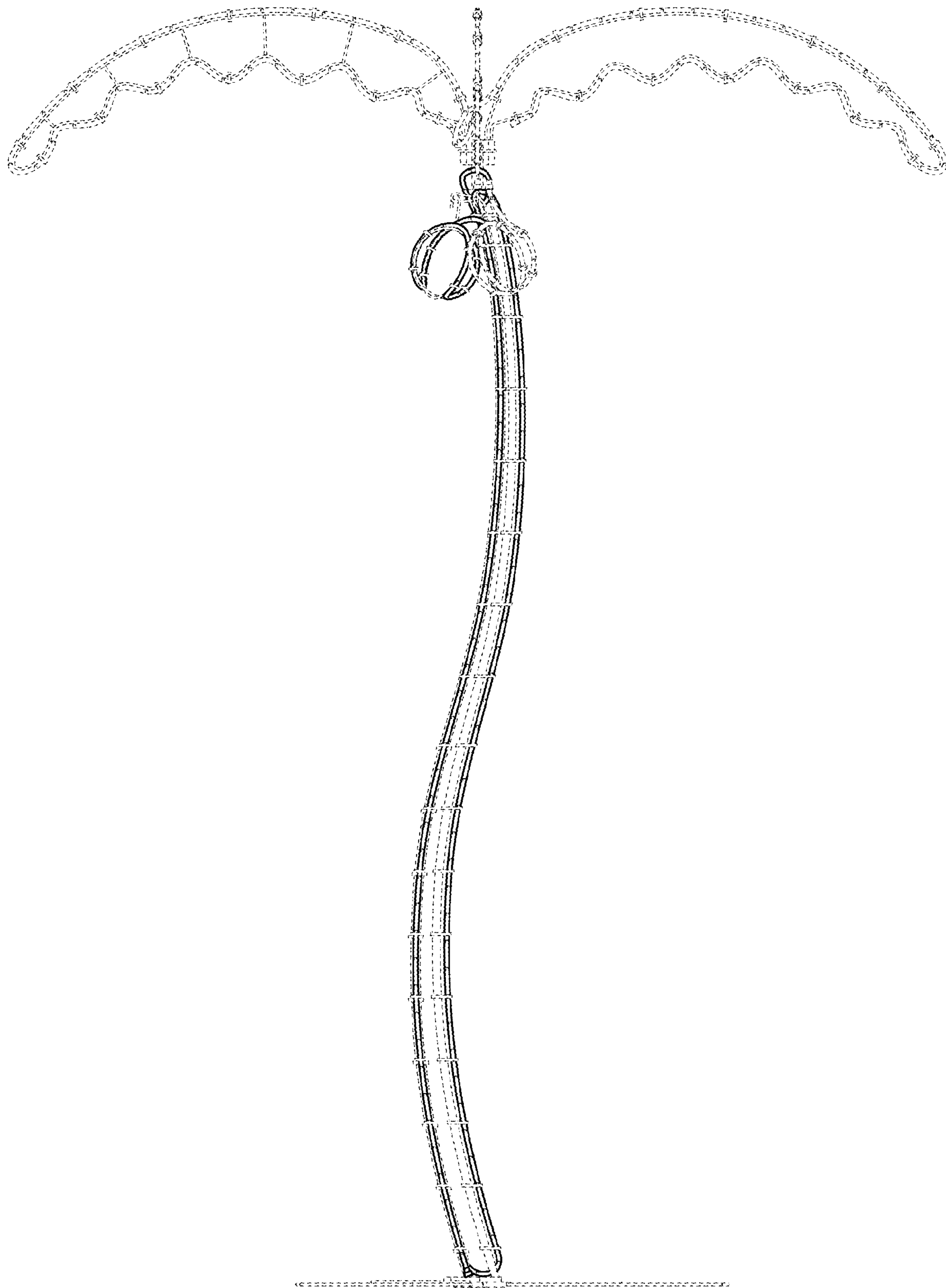


FIG. 5

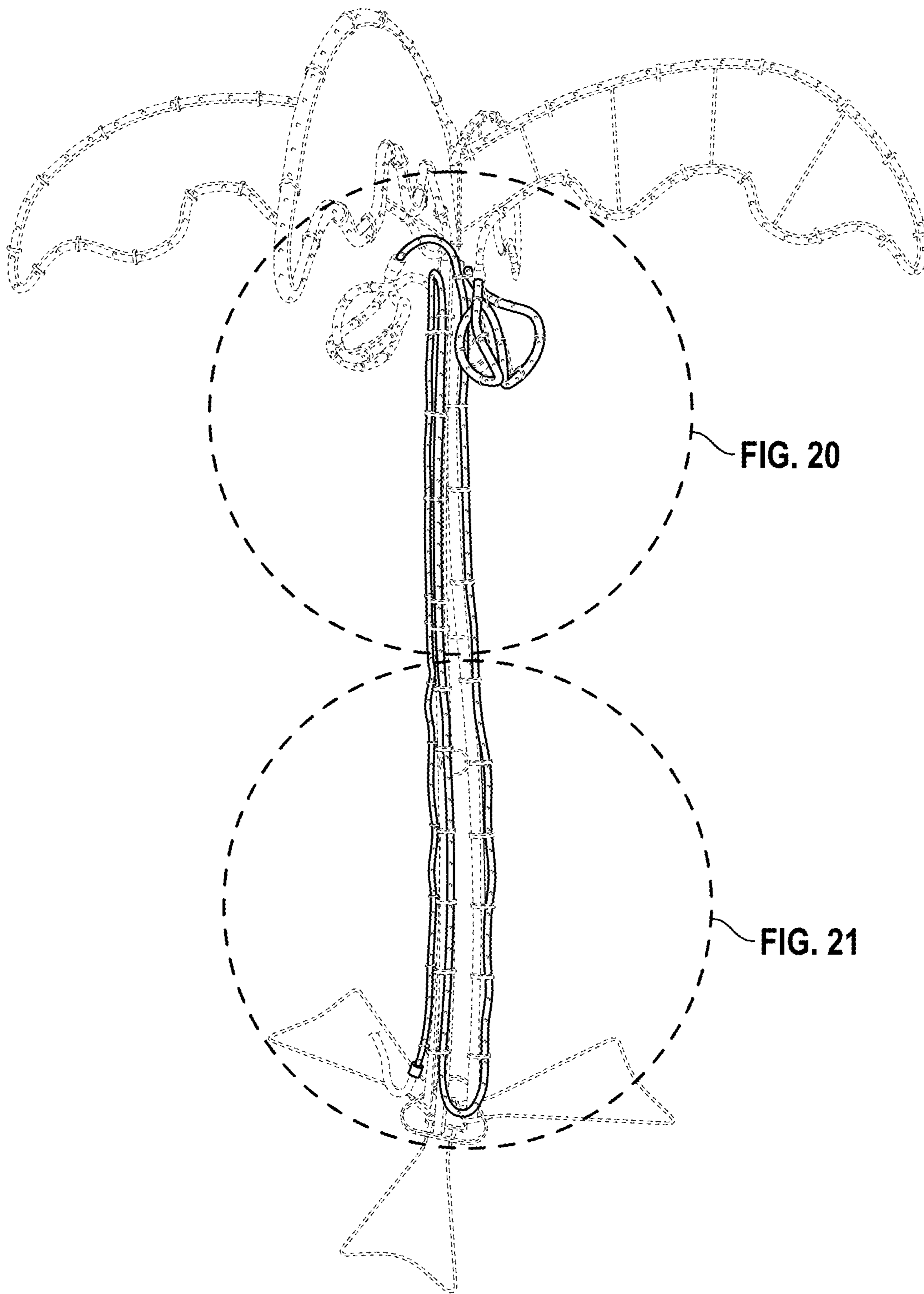


FIG. 6

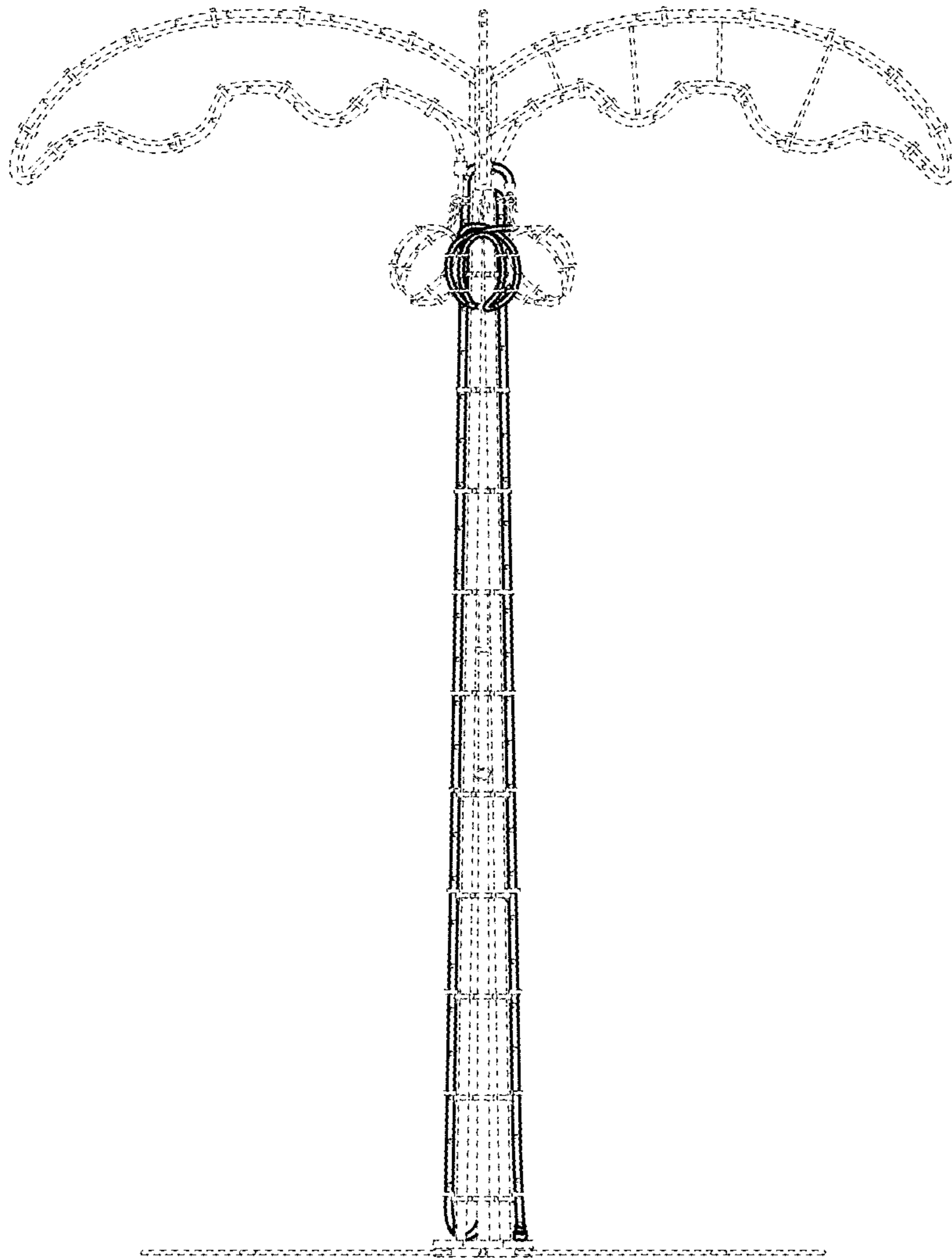


FIG. 7

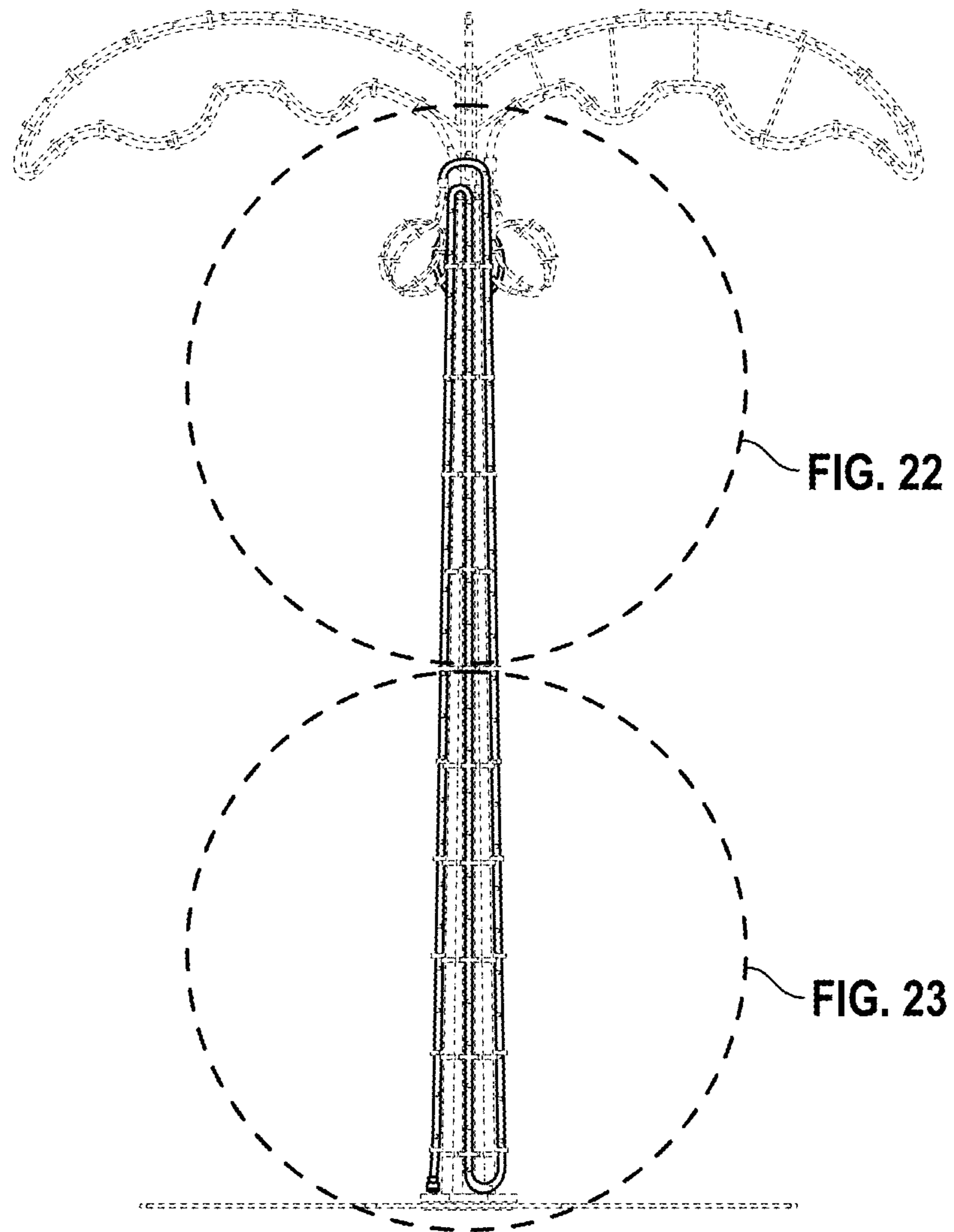


FIG. 8

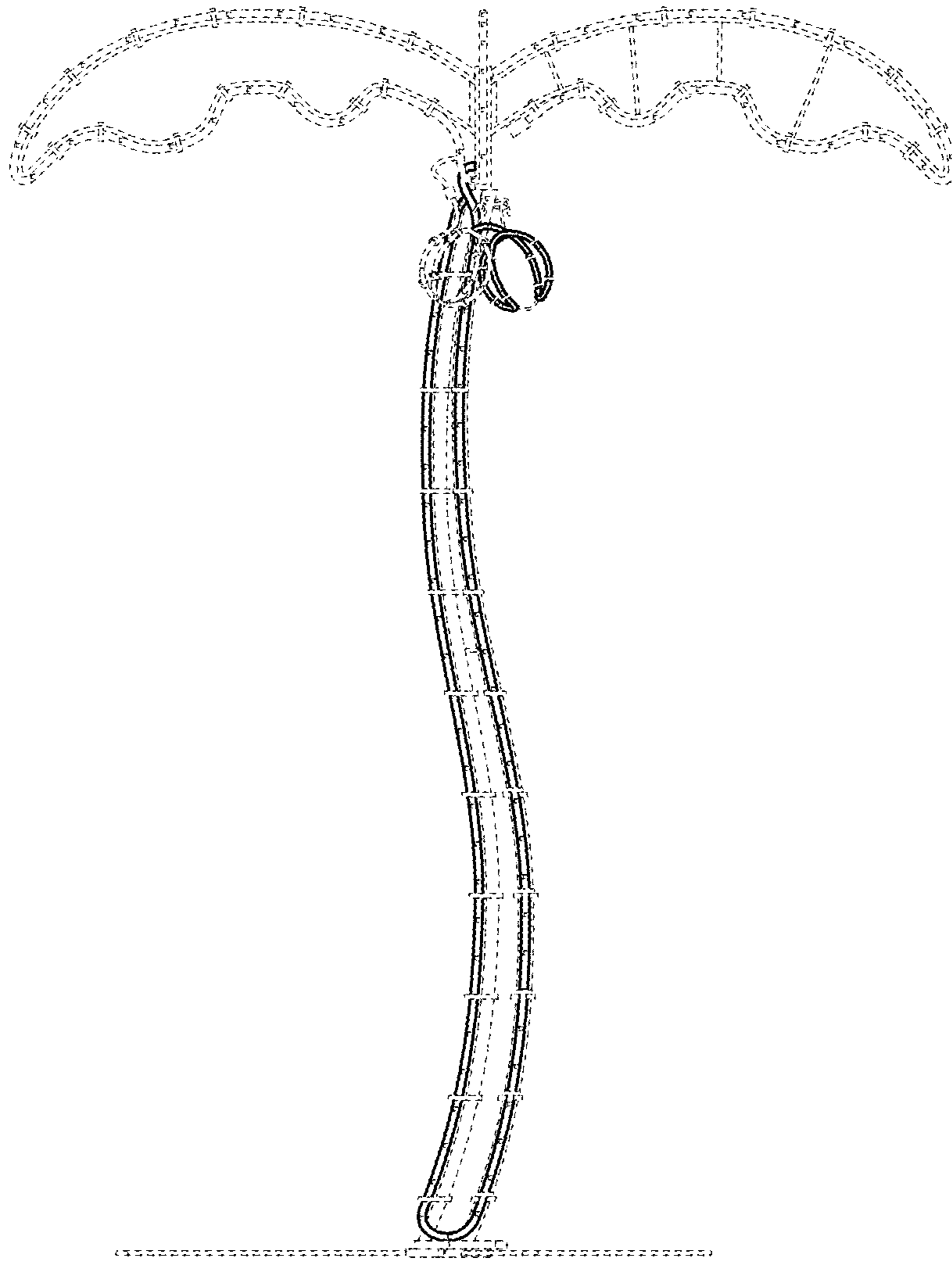


FIG. 9

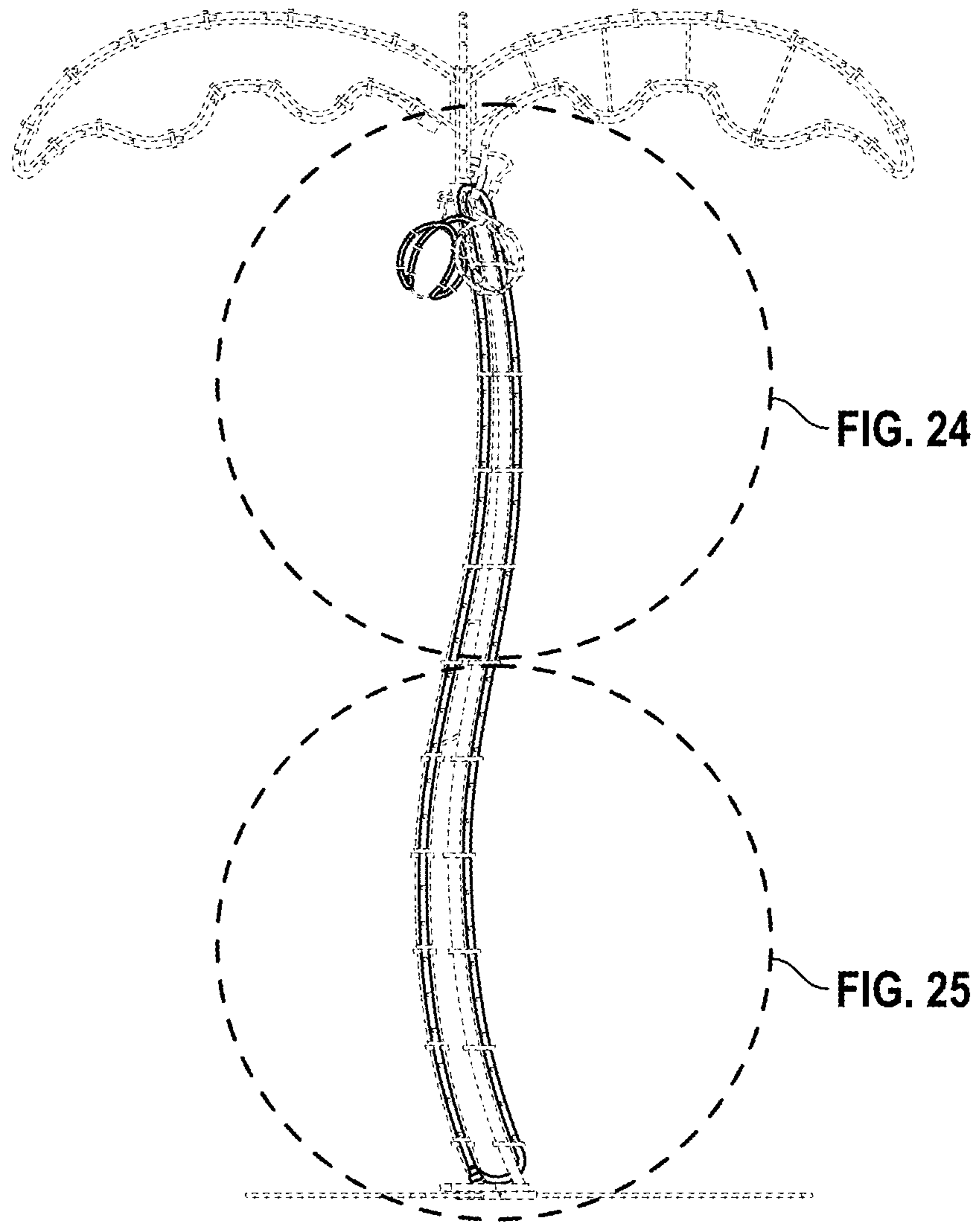


FIG. 10

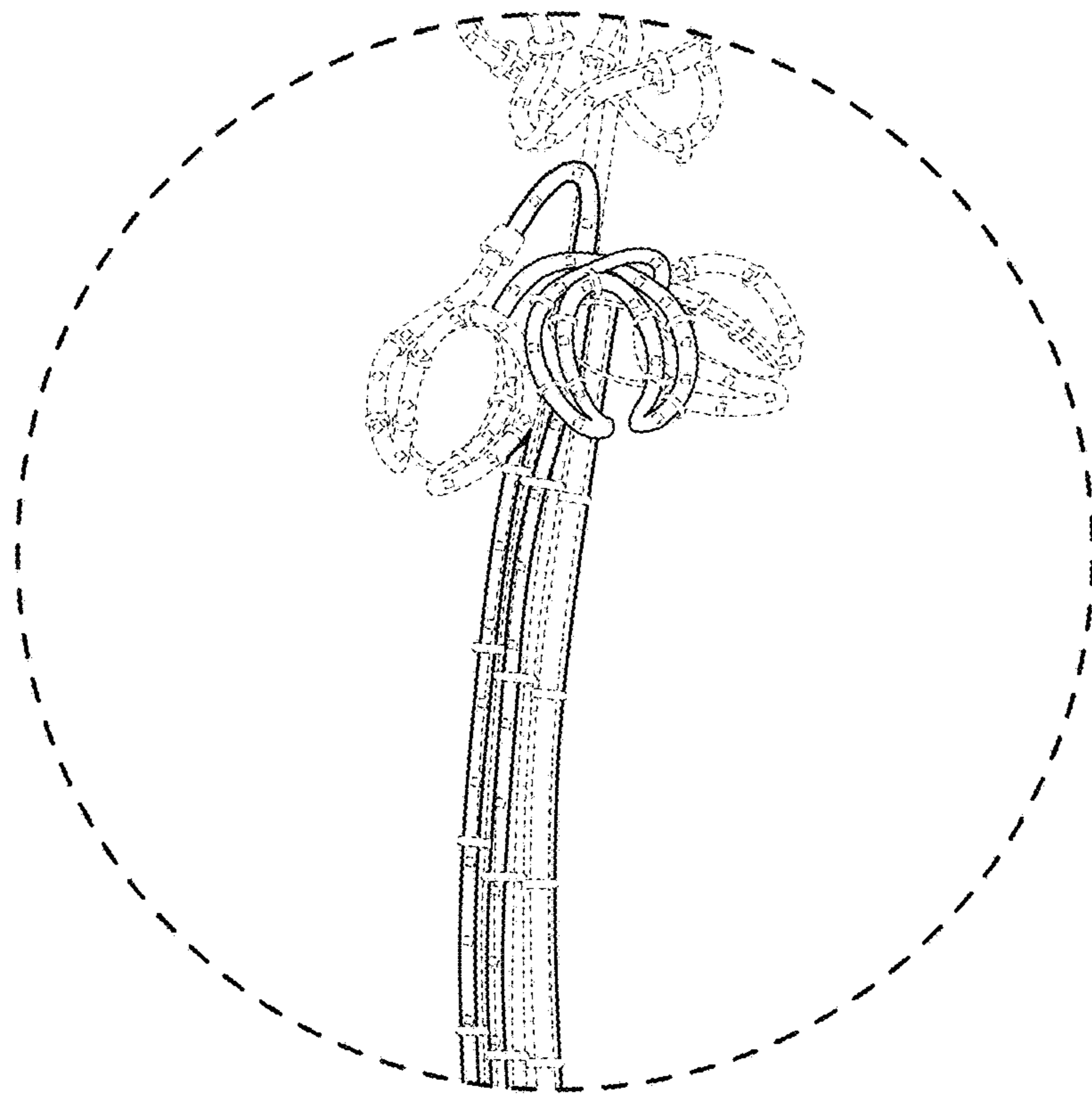


FIG. 11

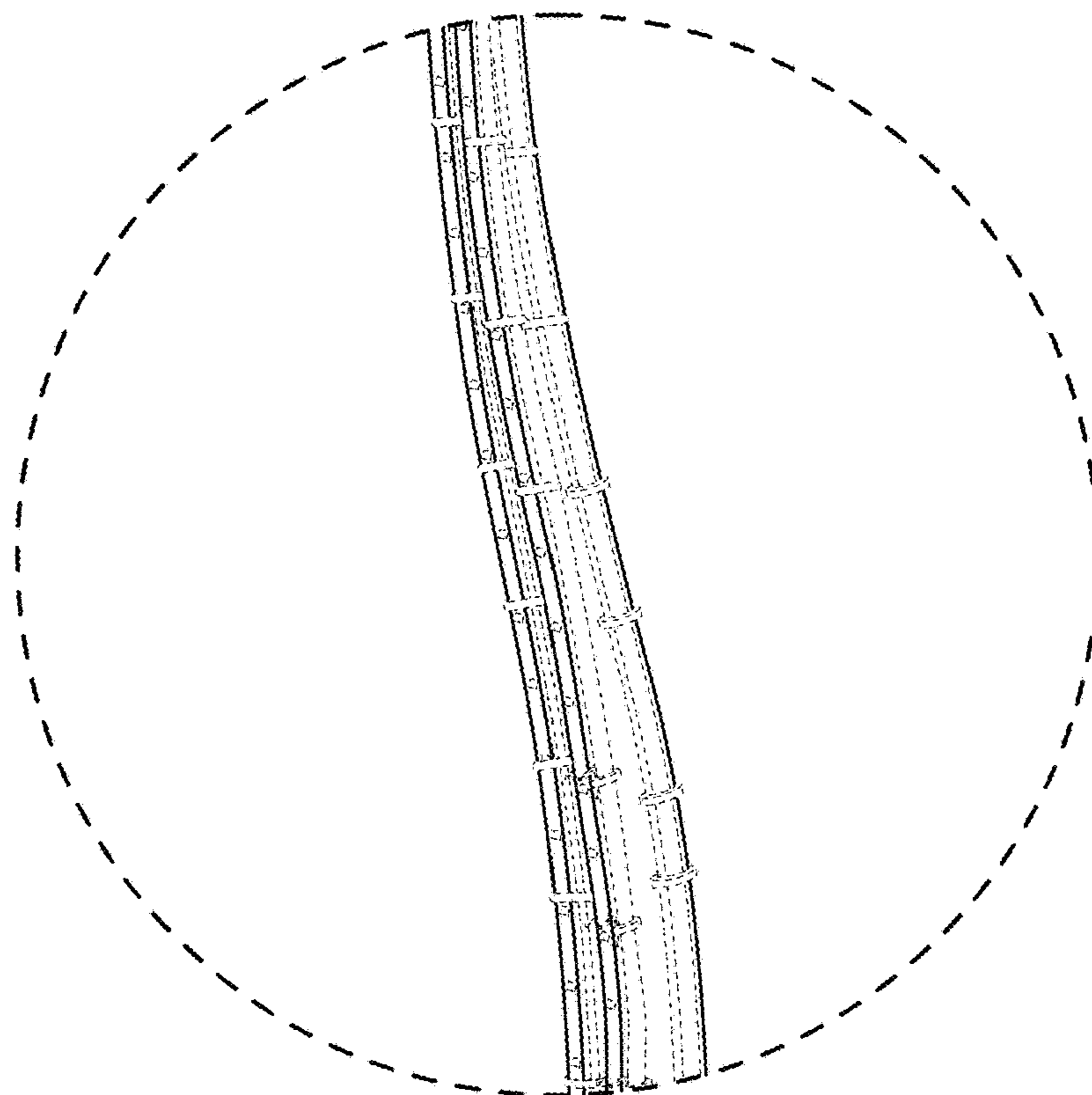


FIG. 12

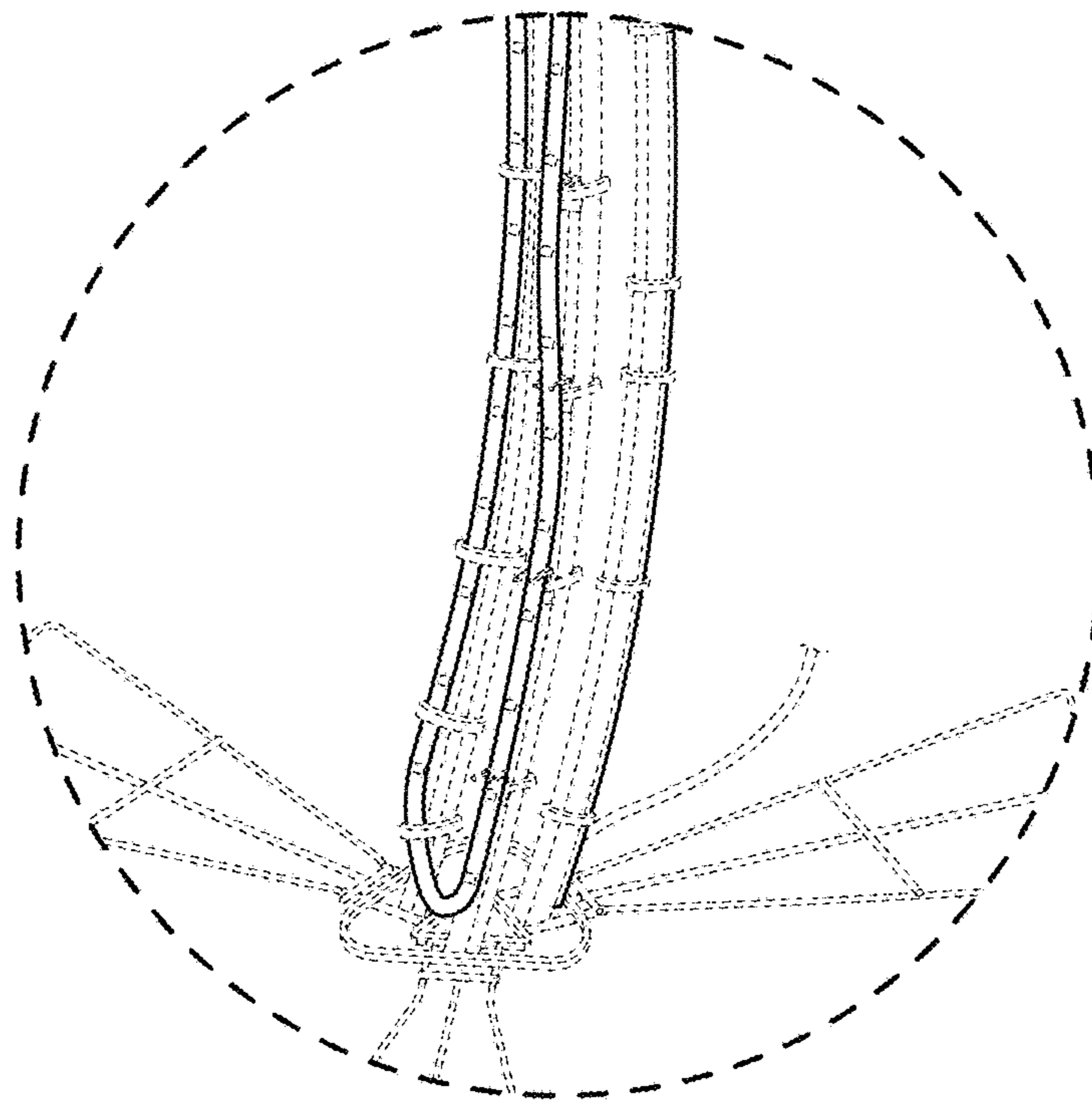


FIG. 13

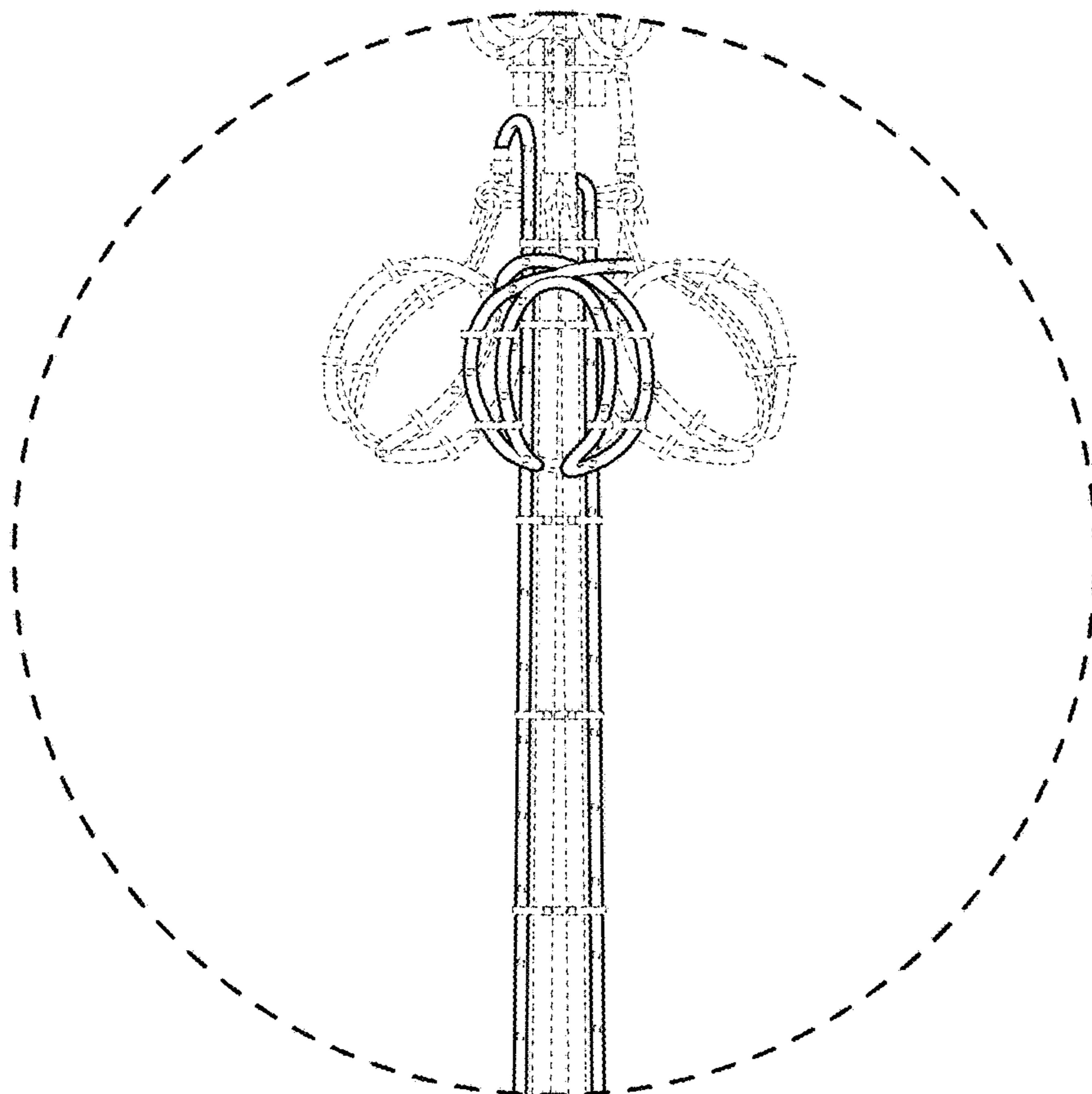


FIG. 14

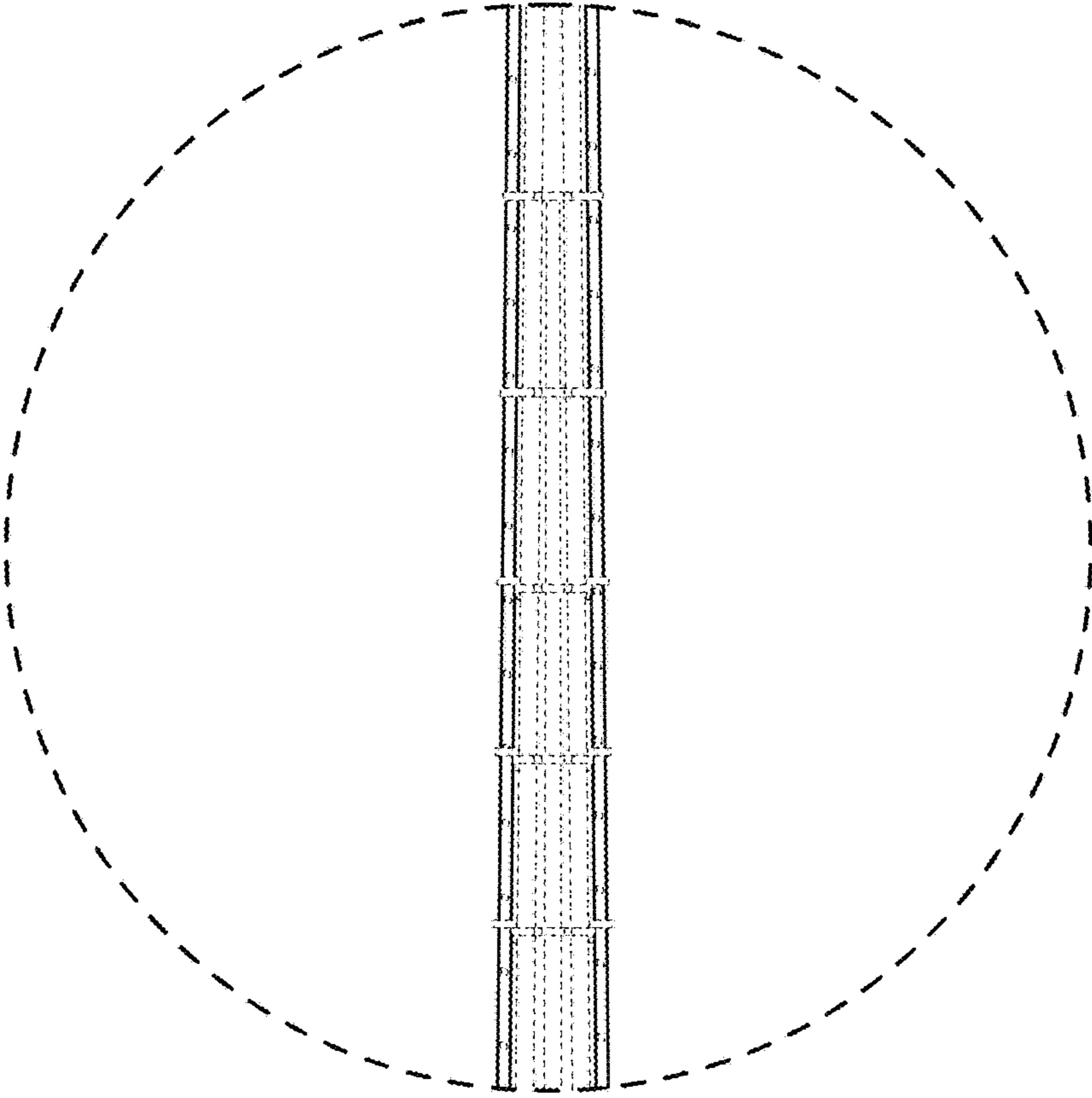


FIG. 15

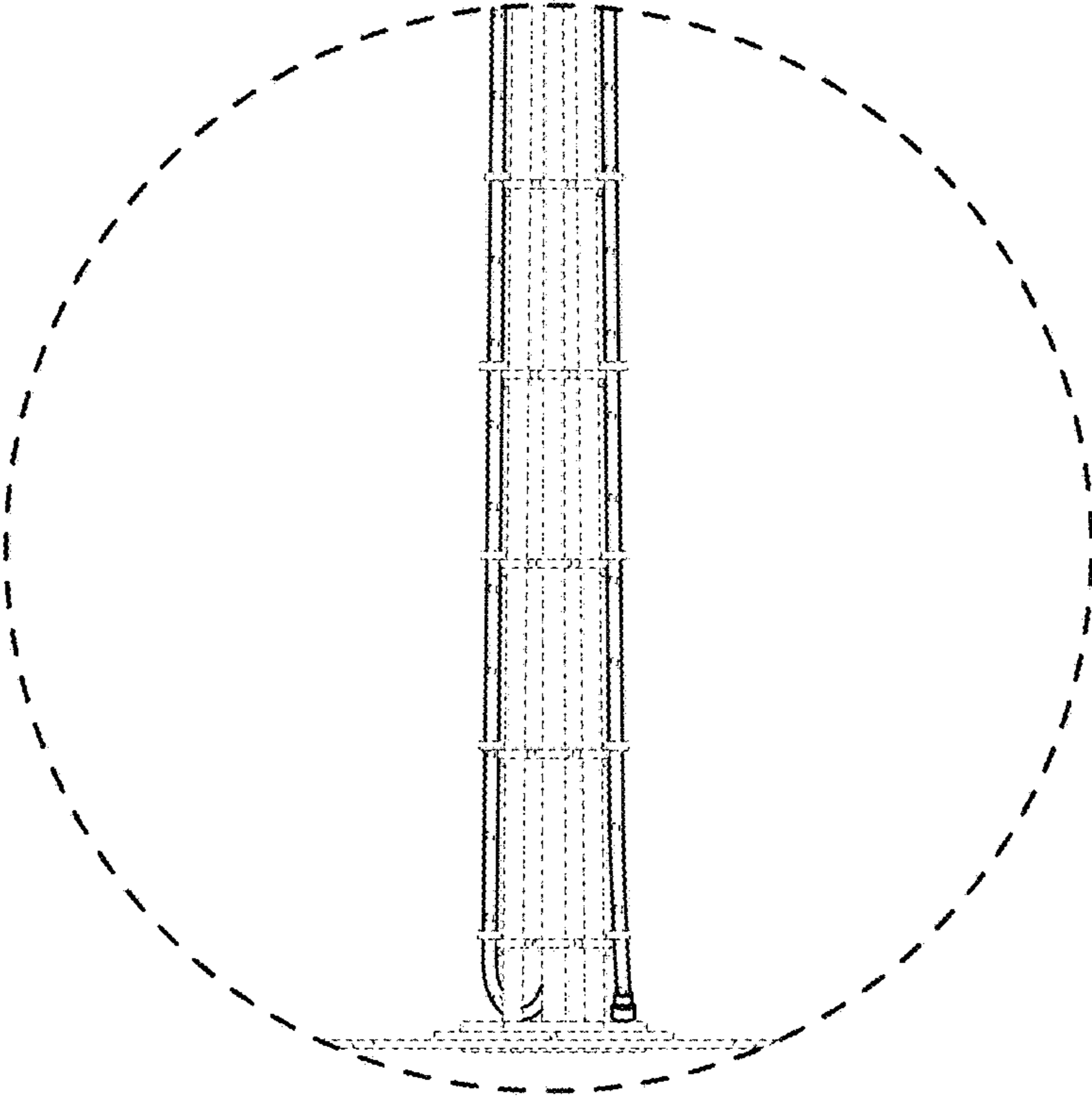


FIG. 16

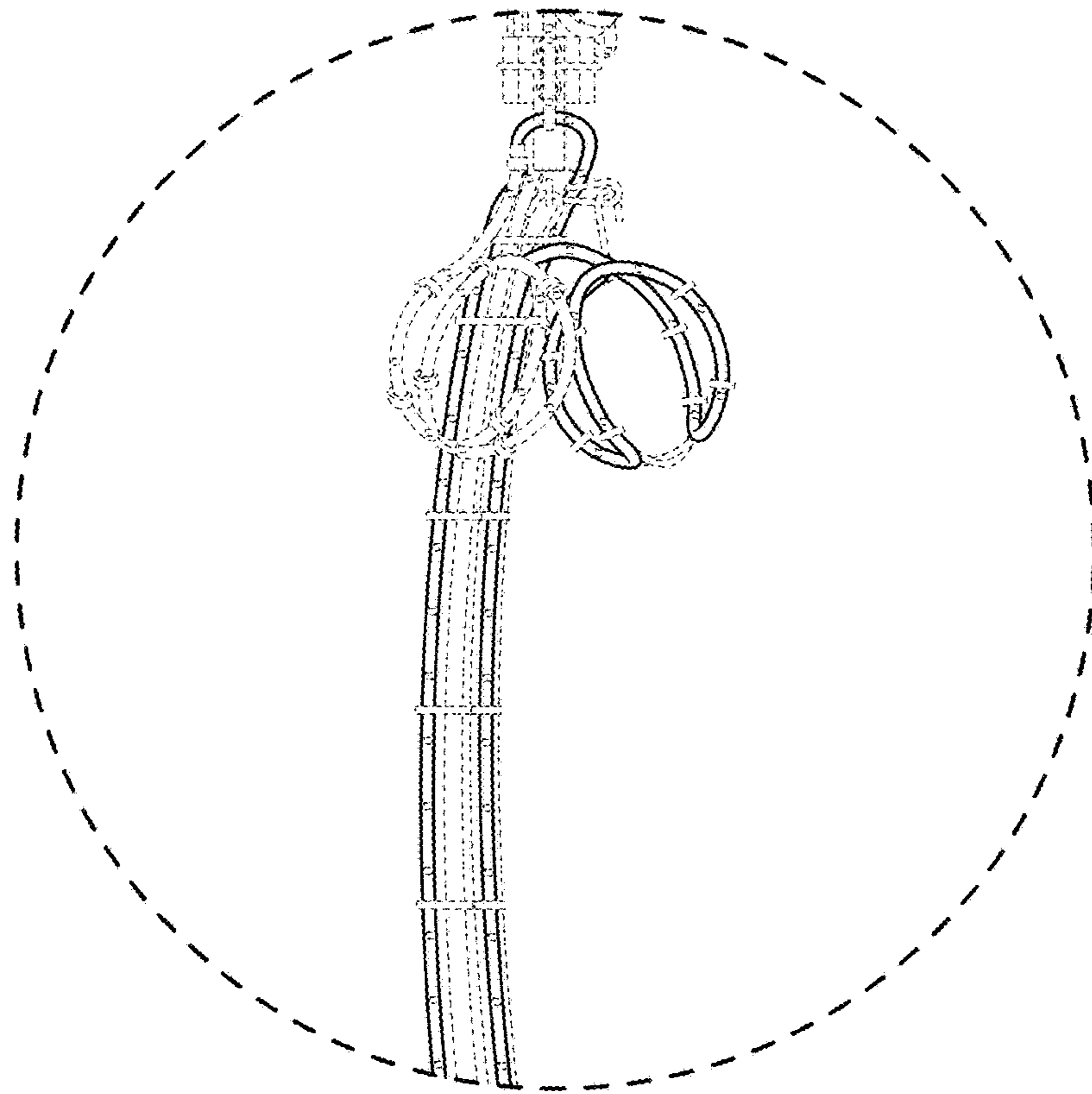


FIG. 17

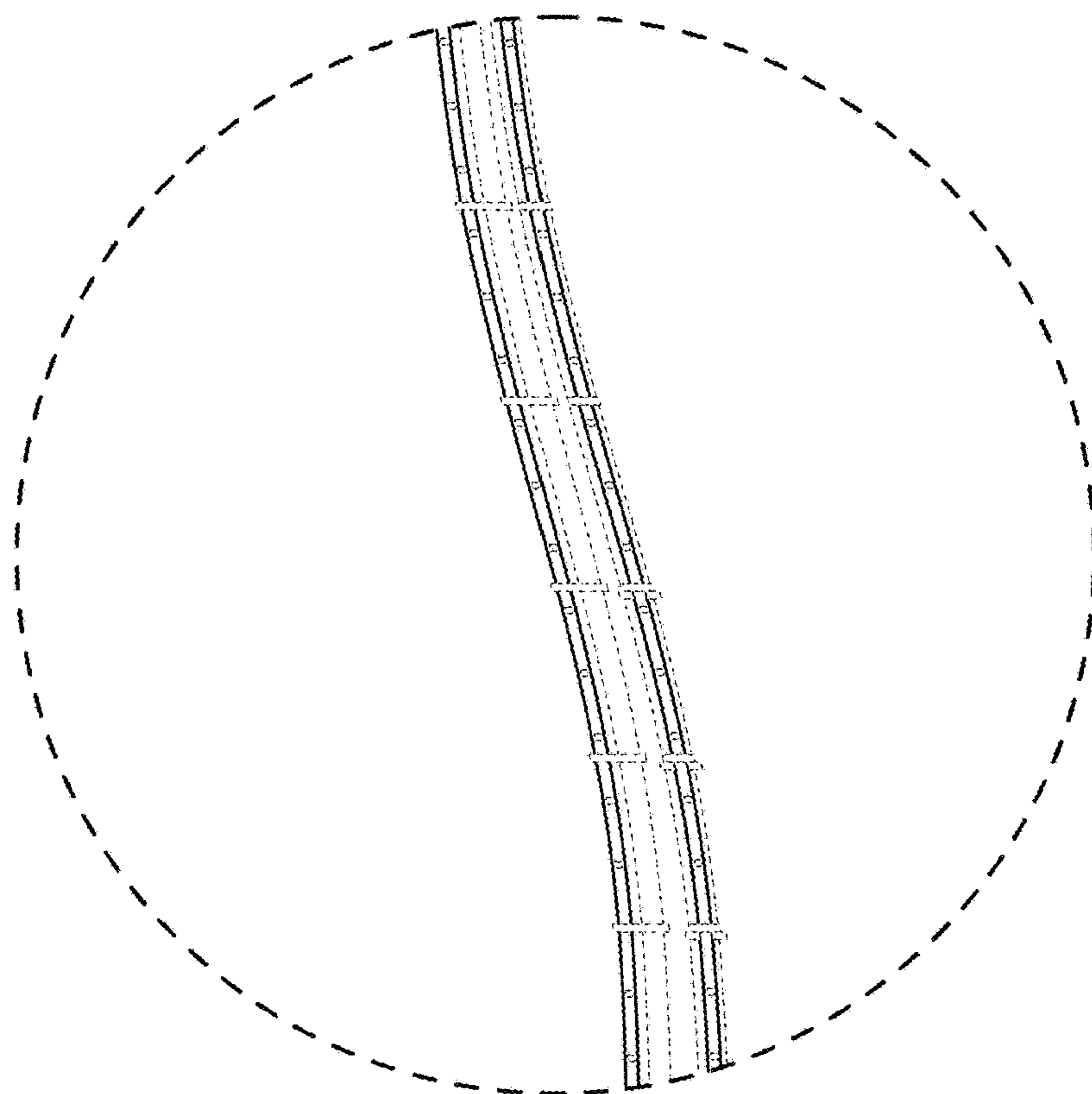


FIG. 18

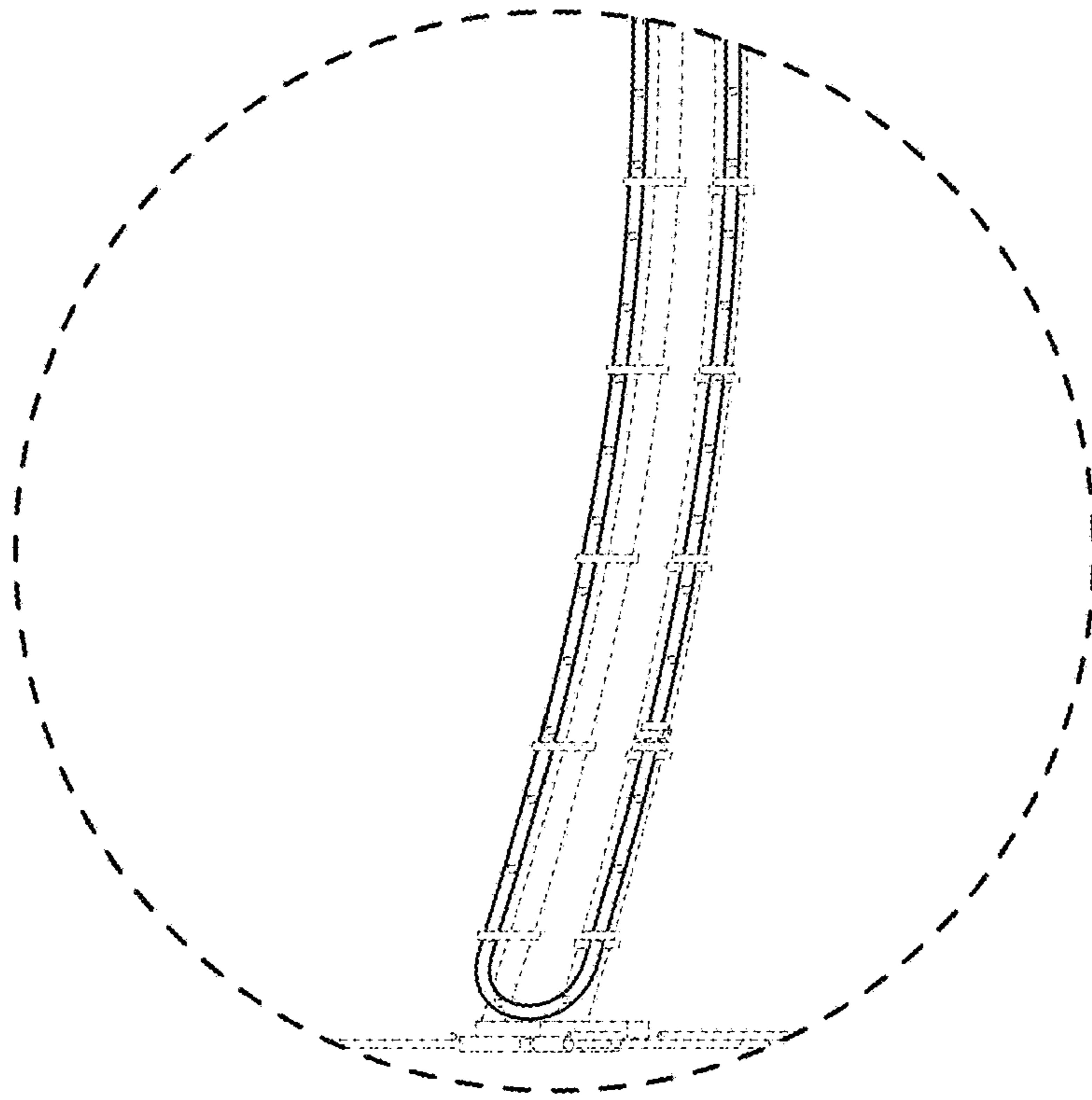


FIG. 19

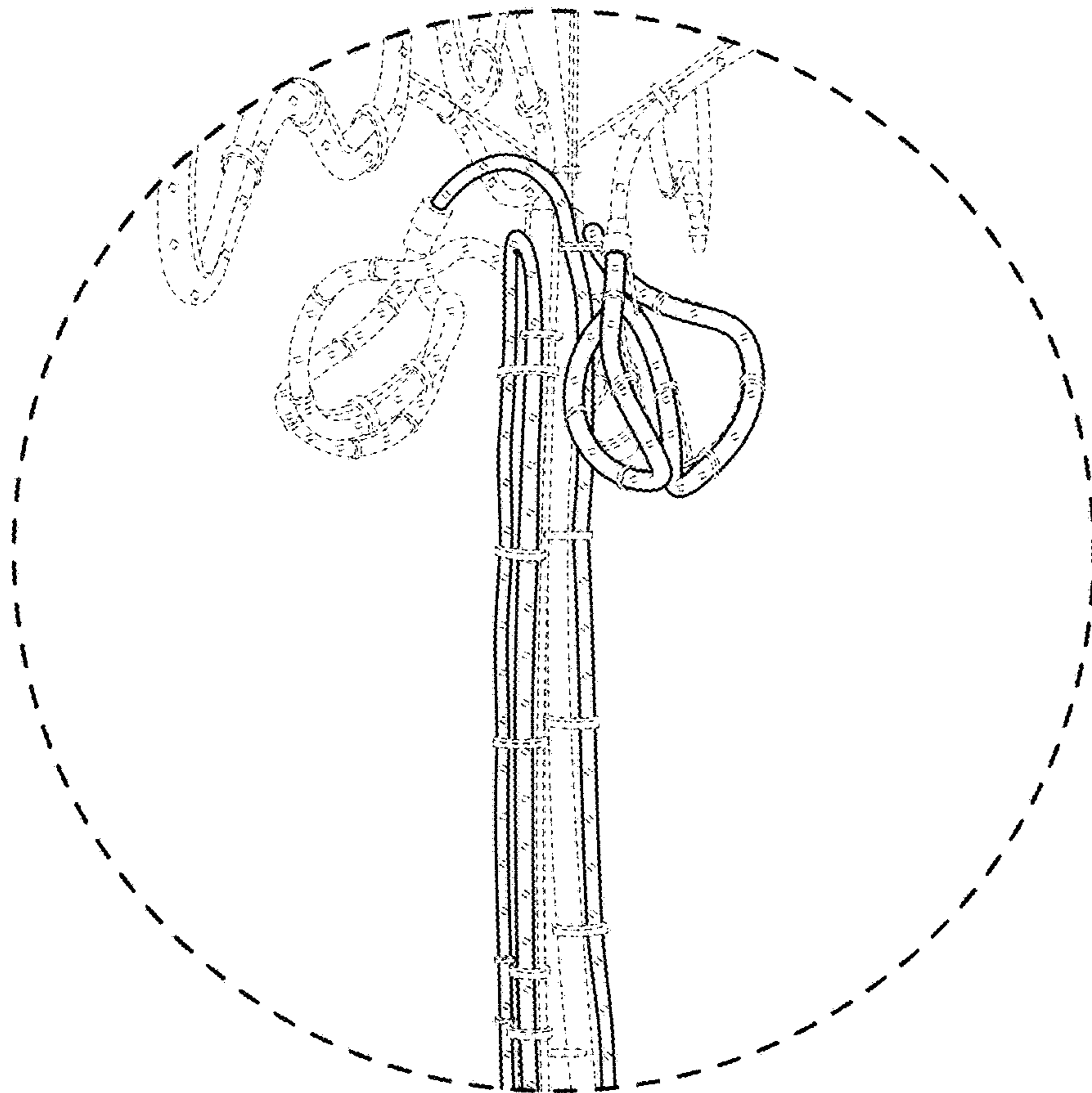


FIG. 20

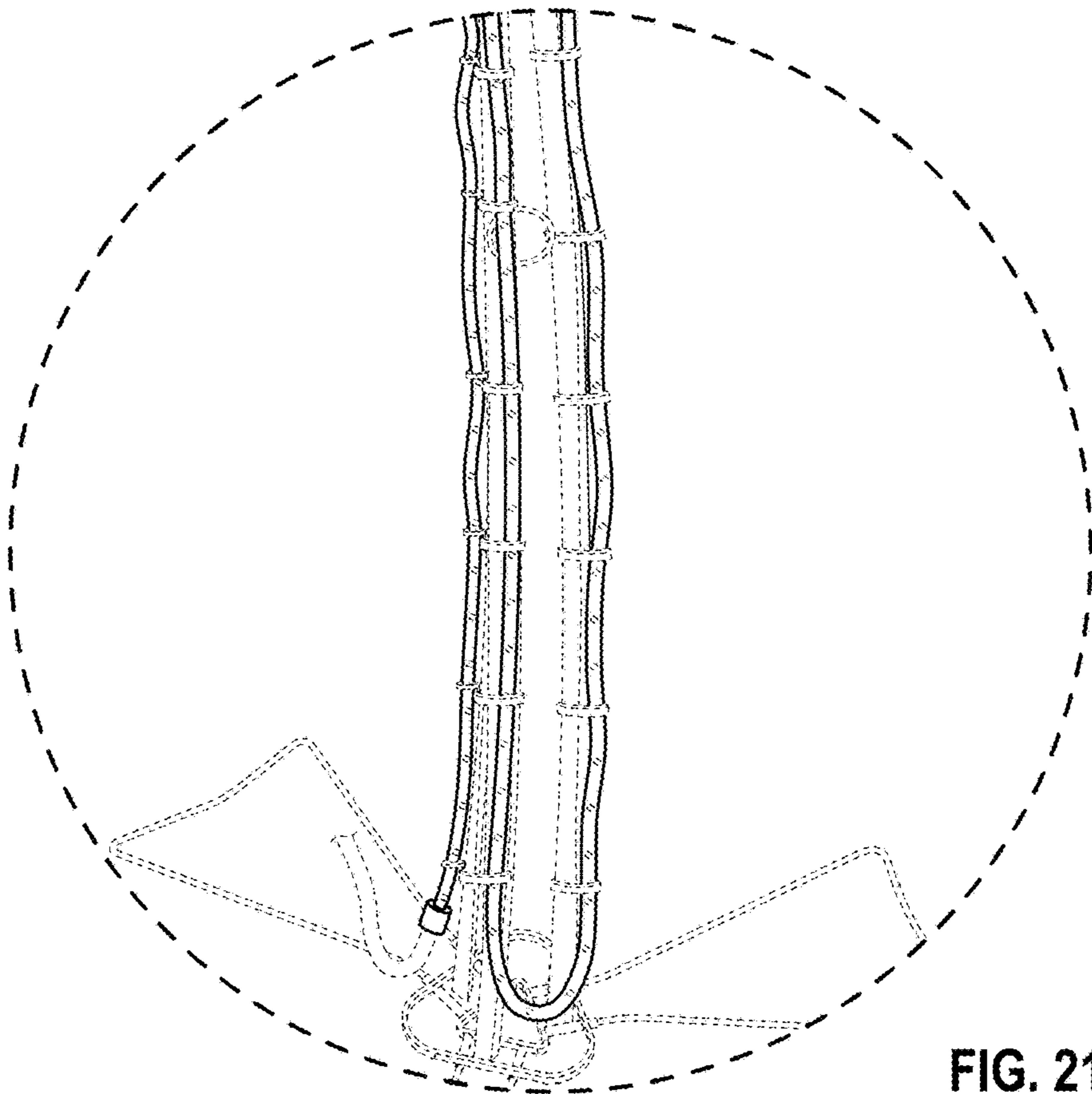


FIG. 21

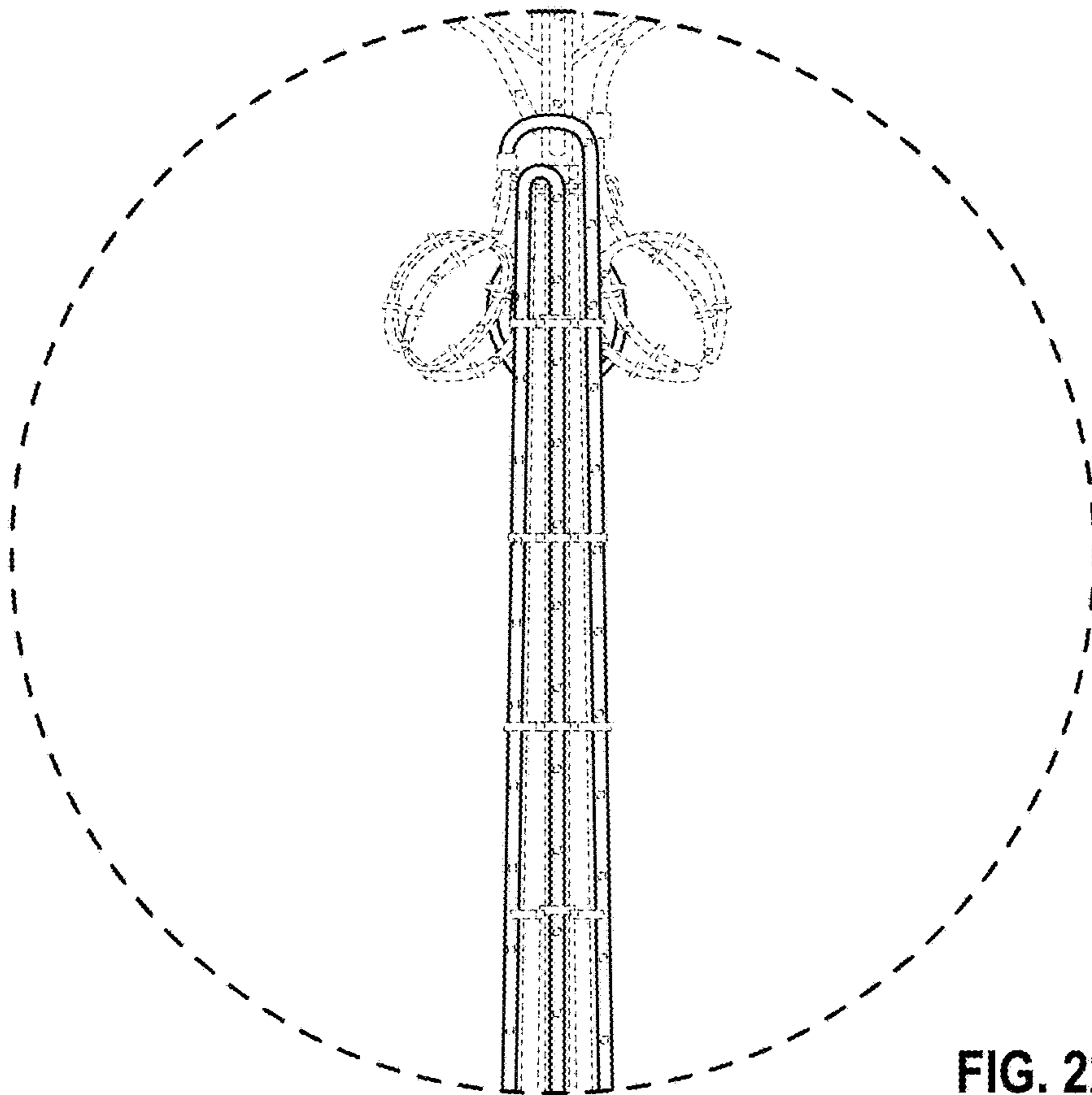
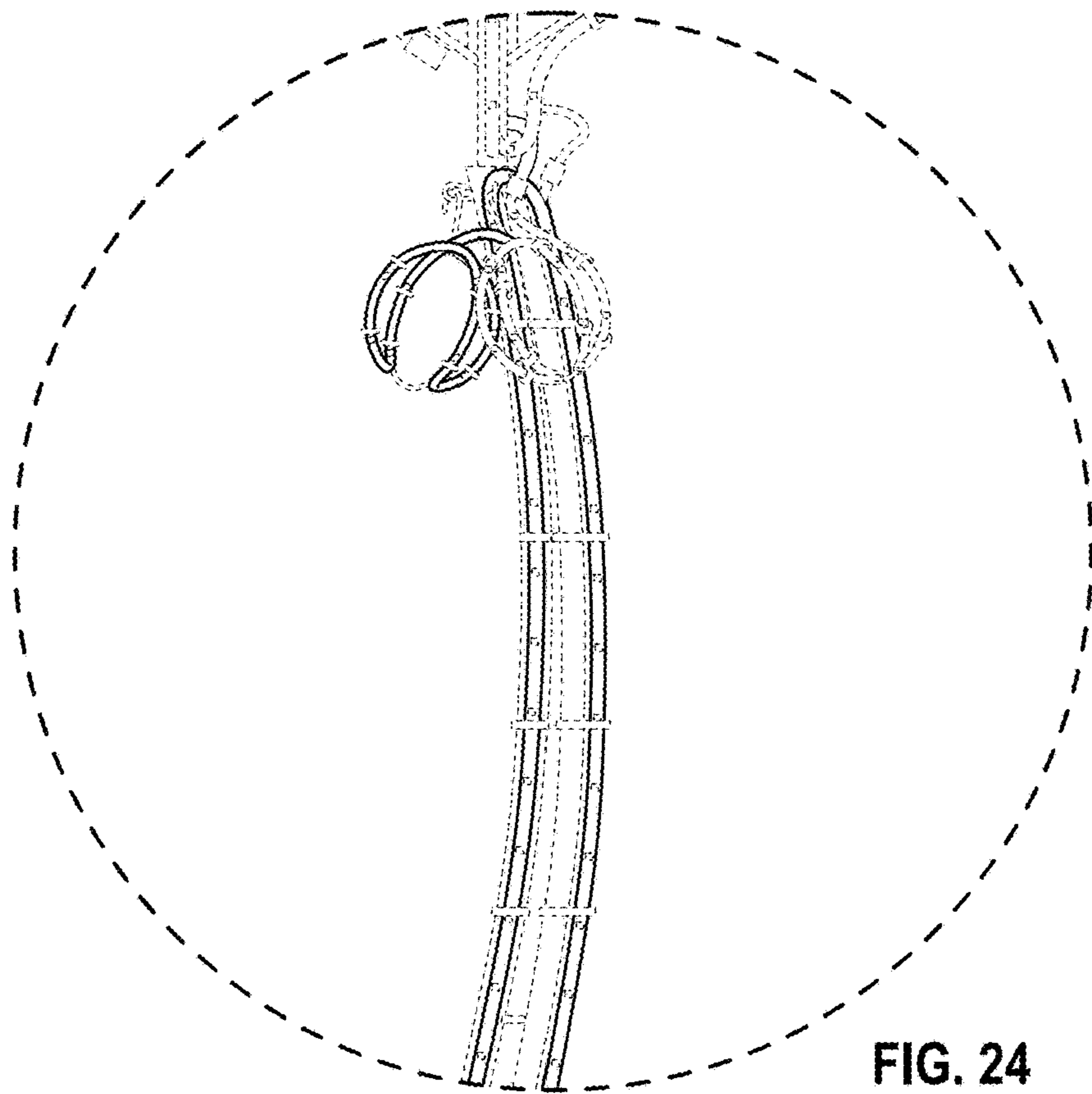
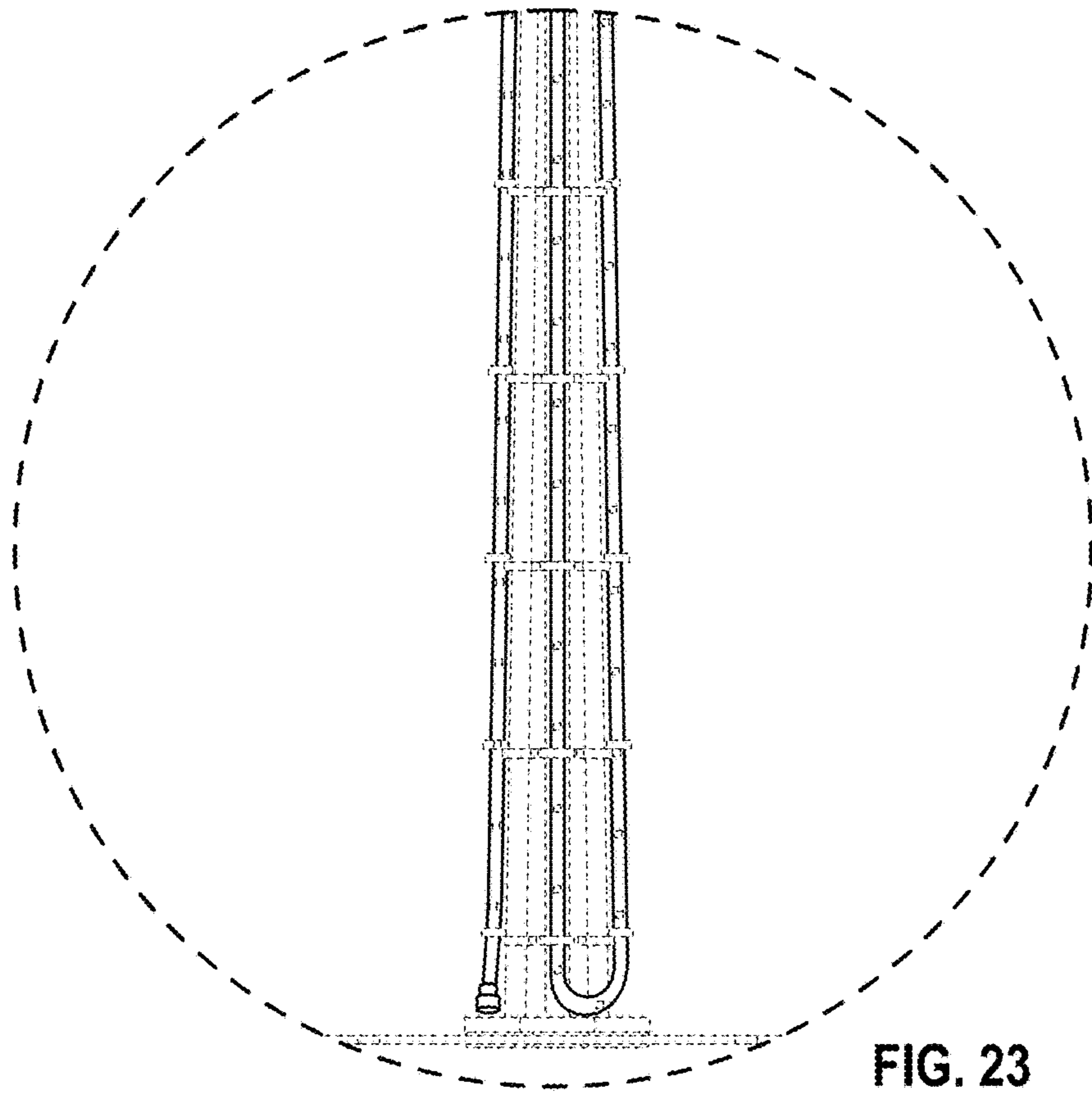


FIG. 22



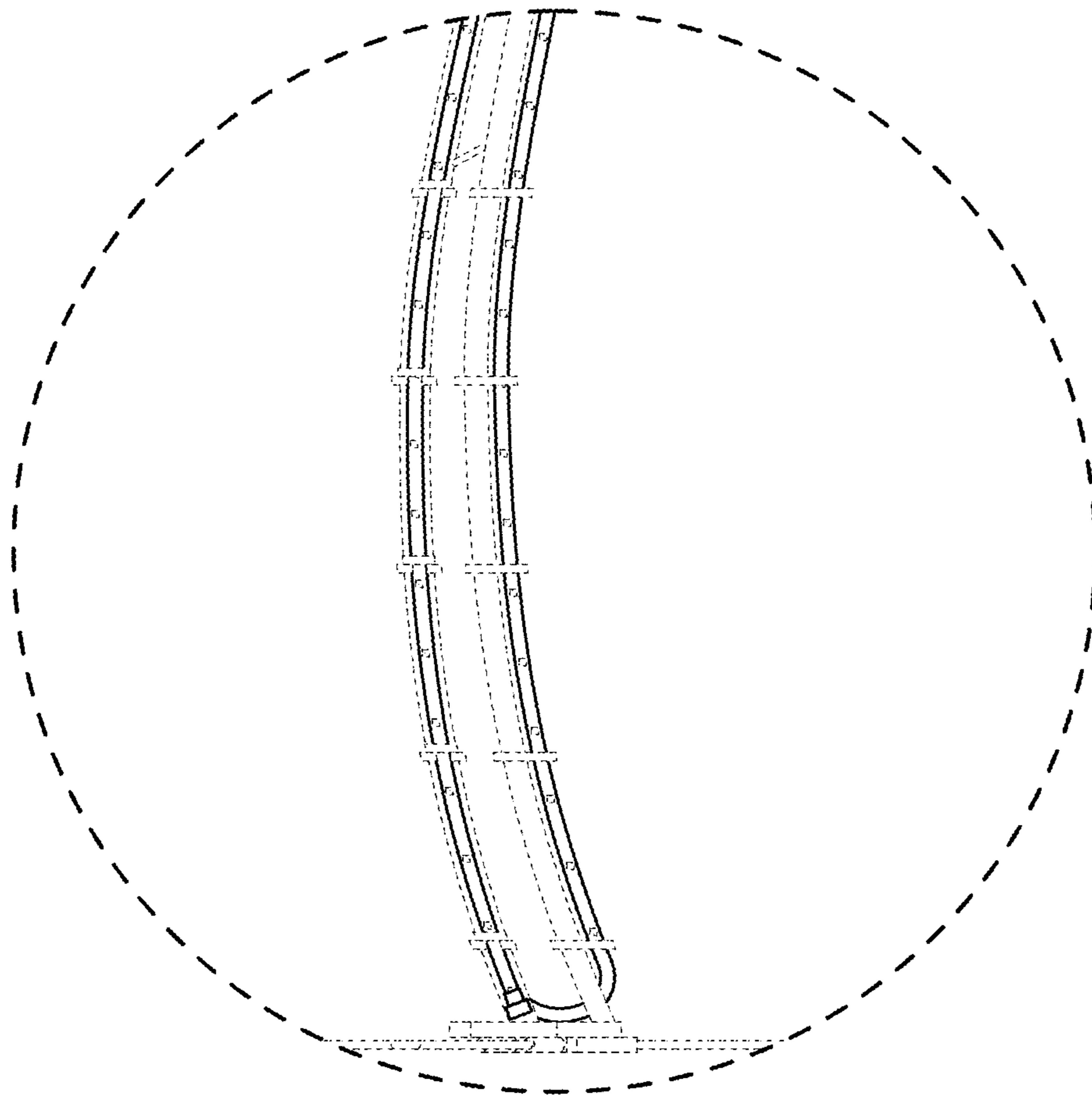


FIG. 25