



US00D876273S

(12) **United States Design Patent**  
**Lee**

(10) **Patent No.:** **US D876,273 S**  
(45) **Date of Patent:** **\*\* Feb. 25, 2020**

(54) **EARRINGS WITH GEMSTONES**  
(71) Applicant: **BUCHERER AG**, Lucerne (CH)  
(72) Inventor: **Yunjo Lee**, Lucerne (CH)  
(73) Assignee: **Bucherer AG**, Lucerne (CH)

(\*\*) Term: **15 Years**  
(21) Appl. No.: **35/505,540**  
(22) Filed: **May 30, 2018**

(80) **Hague Agreement Data**  
Int. Filing Date: **May 30, 2018**  
Int. Reg. No.: **DM/102329**  
Int. Reg. Date: **May 30, 2018**  
Int. Reg. Pub. Date: **Aug. 24, 2018**  
(51) **LOC (12) Cl.** ..... **11-01**  
(52) **U.S. Cl.**  
USPC ..... **D11/41; D11/45**  
(58) **Field of Classification Search**  
USPC ... D11/1, 3, 4, 7, 16, 17, 22, 26, 40, 41, 76,  
D11/2, 5, 27-39, 42-48, 86, 91-93, 222,  
D11/226  
CPC .. A44C 7/00; A44C 7/005; A44C 9/00; A44C  
9/0007; A44C 25/00; A44C 15/001; A44C  
15/0035; A44C 17/02  
See application file for complete search history.

(56) **References Cited**  
U.S. PATENT DOCUMENTS  
D264,197 S \* 5/1982 Smugala ..... D11/32  
D273,666 S \* 5/1984 Hayashi ..... D11/1  
D379,601 S \* 6/1997 Itzkowitz ..... D11/40  
D453,486 S \* 2/2002 Zillig ..... D11/26  
D460,926 S \* 7/2002 Zillig ..... D11/26  
D537,754 S \* 3/2007 Flores ..... D11/226  
D672,681 S \* 12/2012 Bennett ..... D11/40  
D674,720 S \* 1/2013 Bennett ..... D11/40  
D676,349 S \* 2/2013 Papadimitriou ..... D11/43

D692,342 S \* 10/2013 Bennett ..... D11/41  
D708,541 S \* 7/2014 Norendzayan ..... D11/41  
D790,384 S \* 6/2017 Mai ..... D11/26  
D813,077 S \* 3/2018 Noble ..... A44C 17/0258  
D11/26  
D820,715 S \* 6/2018 Le Bail ..... D11/34

**OTHER PUBLICATIONS**

Katerina Perez. B. Dimension: Bucherer's elegant minimalism from designer Yunjo Lee. Oct. 15, 2018. <https://www.katerinaperez.com/articles/b-dimension-yunjo-lee> (Year: 2018).\*  
Bucherer. Ahead of the curve with Yunjo Lee by Nish Tej. Nov. 30, 2018. <https://uk.bucherer.com/editorial/ahead-curve-yunjo-lee/> (Year: 2018).\*

\* cited by examiner

*Primary Examiner* — Darcey E Gottschalk  
(74) *Attorney, Agent, or Firm* — Leydig, Voit & Mayer, Ltd.

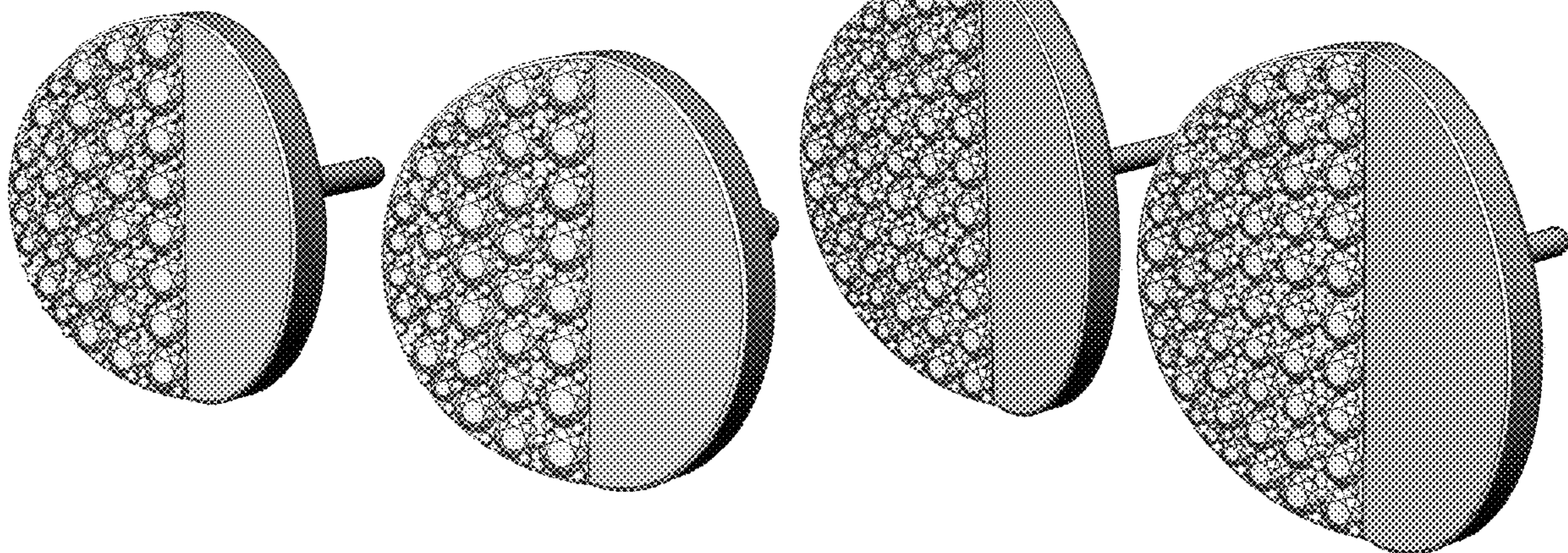
(57) **CLAIM**

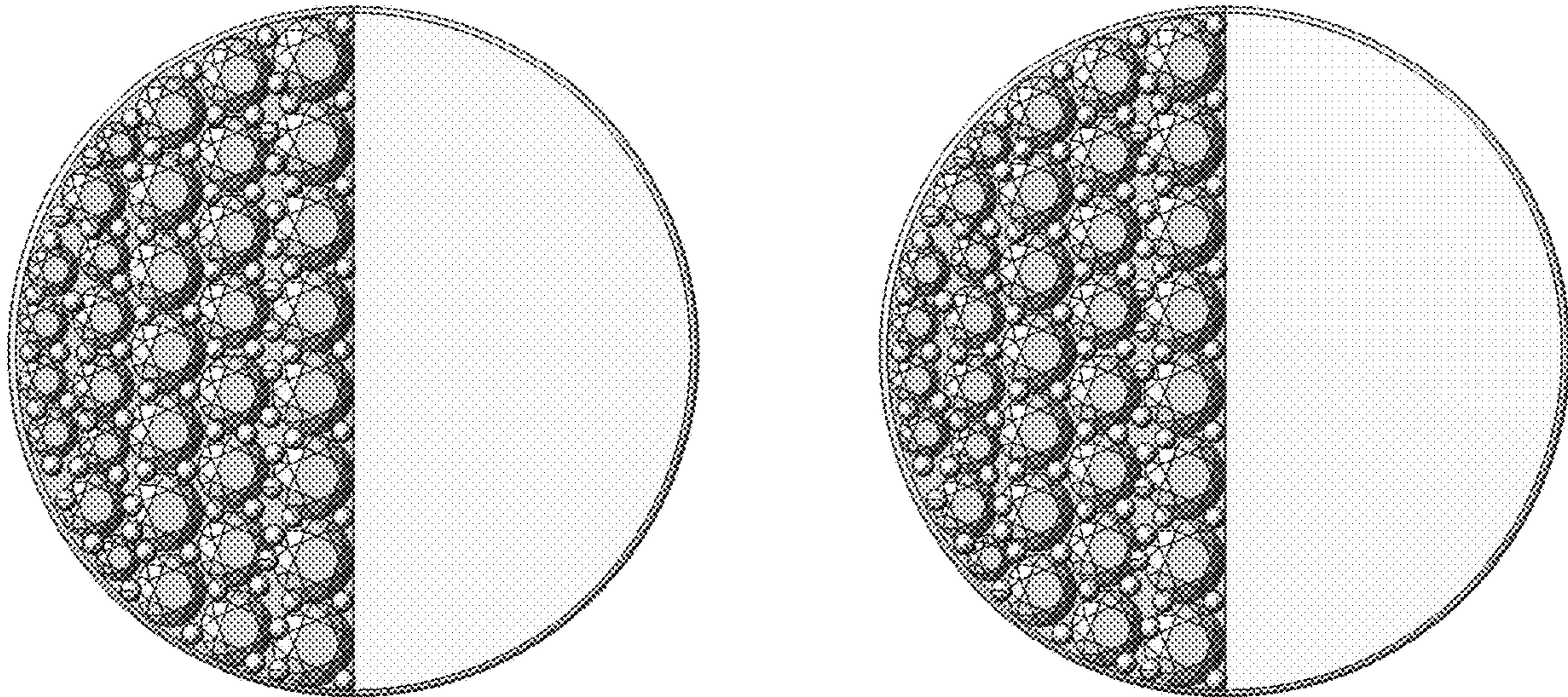
The ornamental design for earrings with gemstones, as shown and described.

**DESCRIPTION**

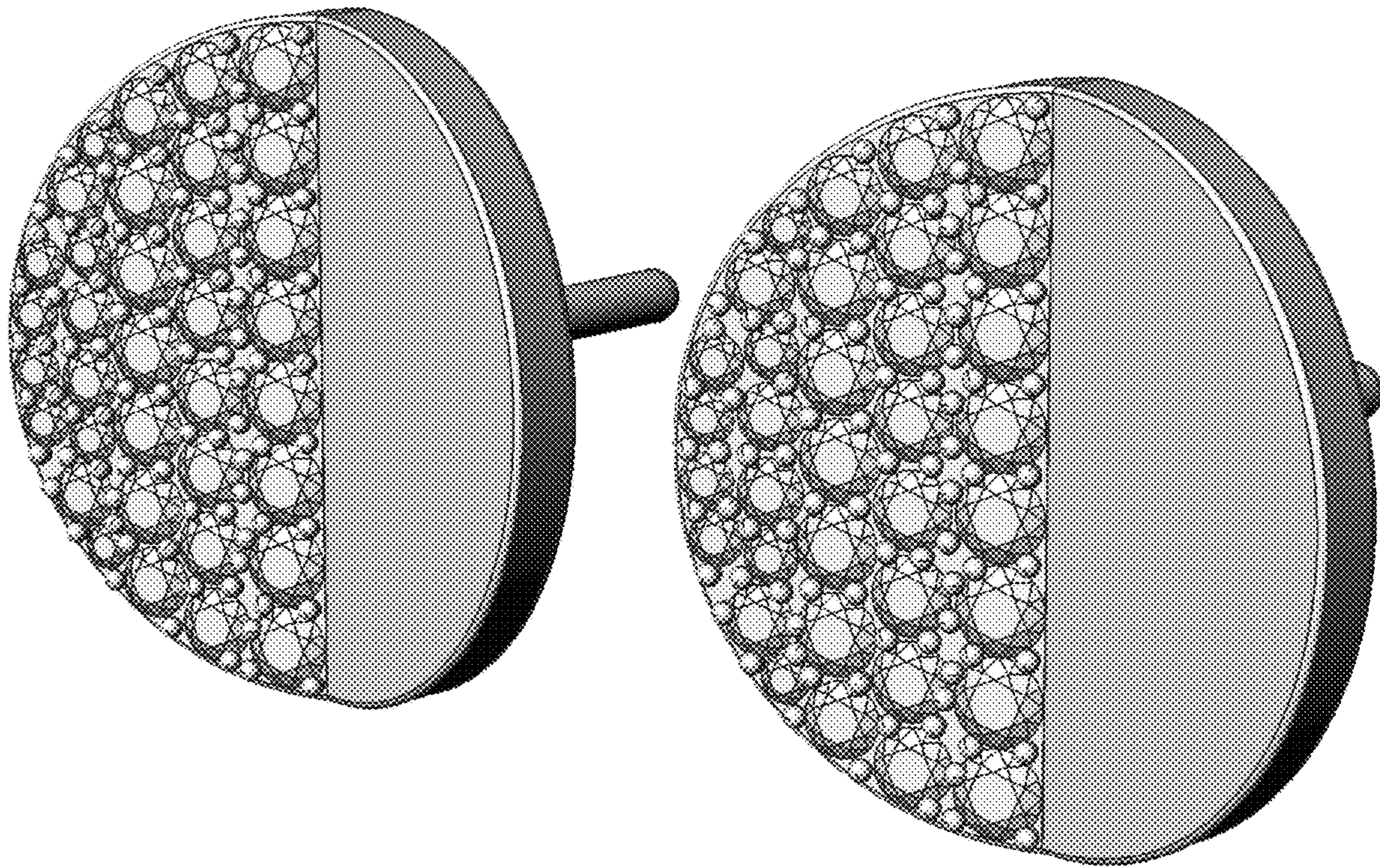
**1.1** is a front view of earrings with gemstones according to a first embodiment;  
**1.2** is a front perspective view thereof;  
**1.3** is a rear perspective view thereof;  
**1.4** is a right view thereof;  
**1.5** is a left view thereof; and  
**1.6** is a top view thereof; and  
**2.1** is a front view of earrings with gemstones according to a second embodiment;  
**2.2** is a front perspective view thereof;  
**2.3** is a rear perspective view thereof;  
**2.4** is a right view thereof;  
**2.5** is a left view thereof; and  
**2.6** is a top view thereof.

**1 Claim, 12 Drawing Sheets**

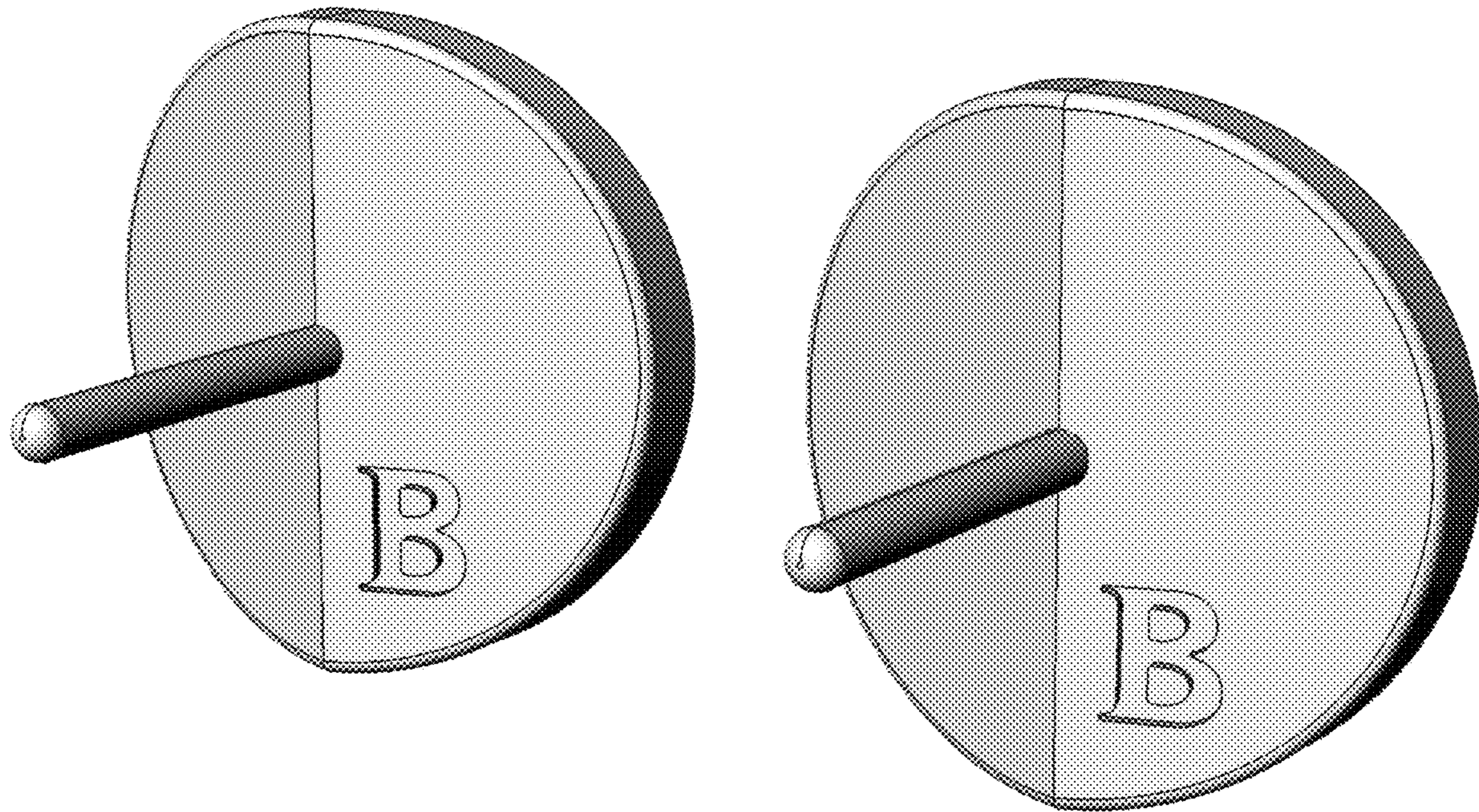




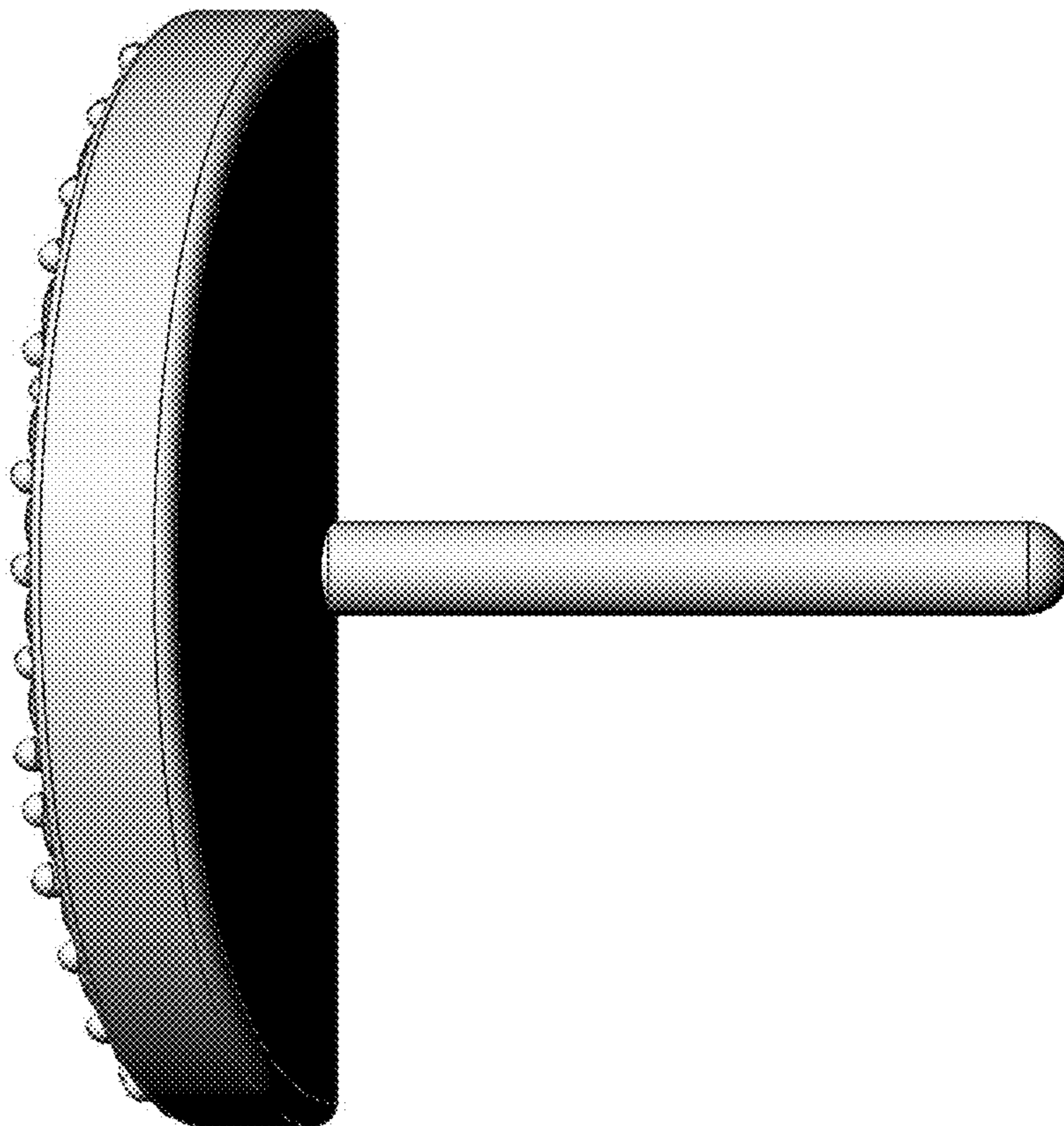
1.1



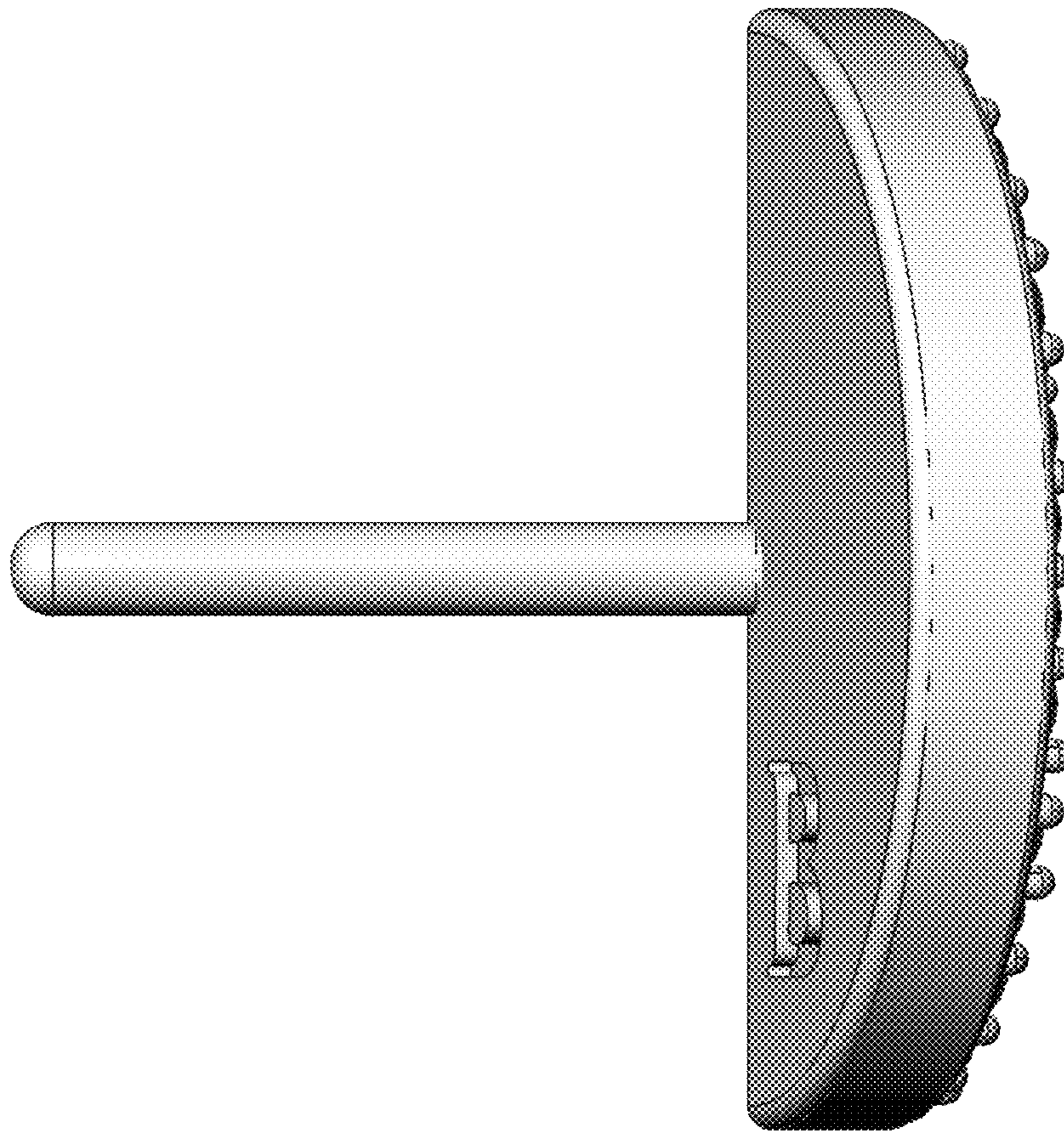
1.2



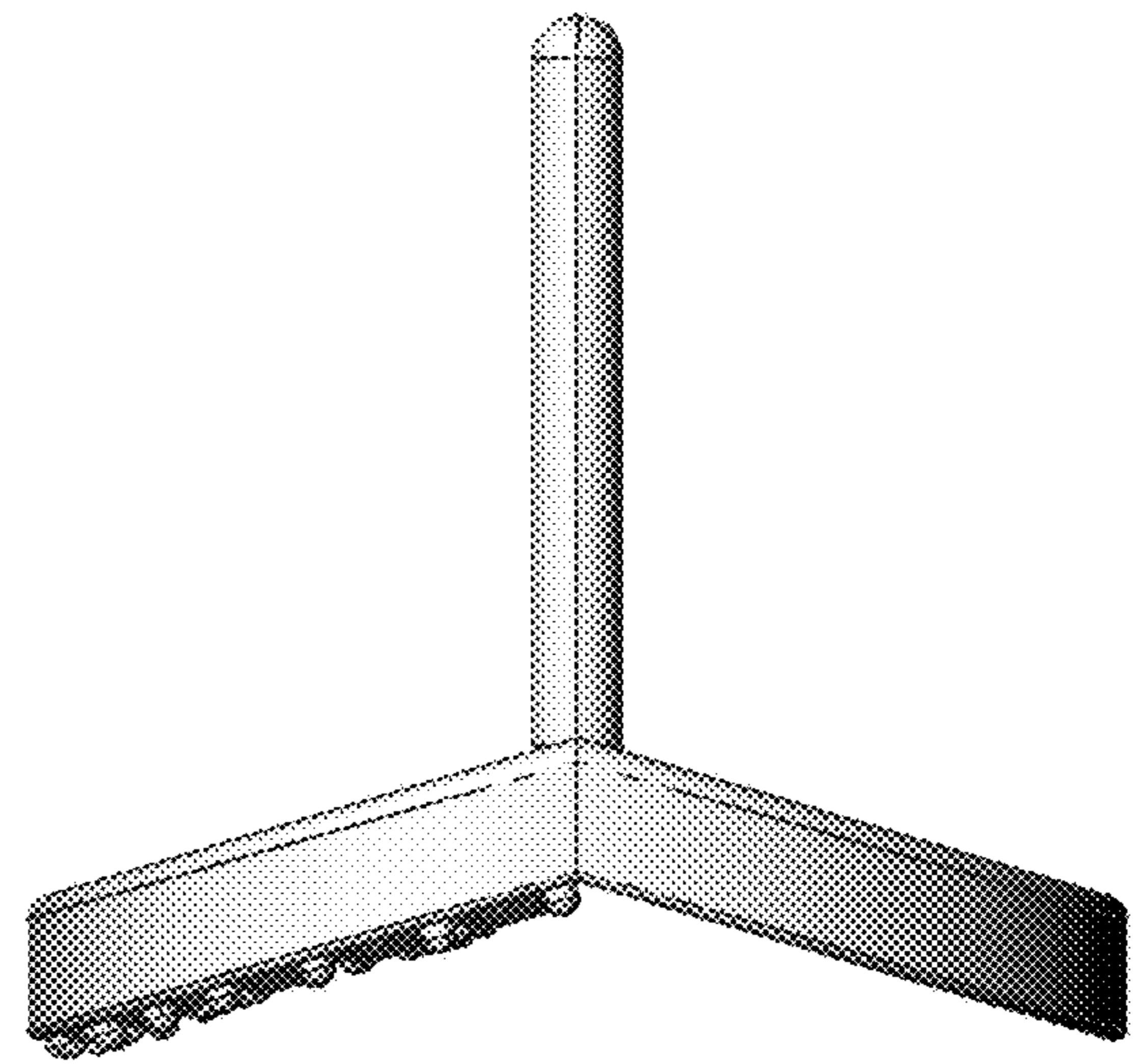
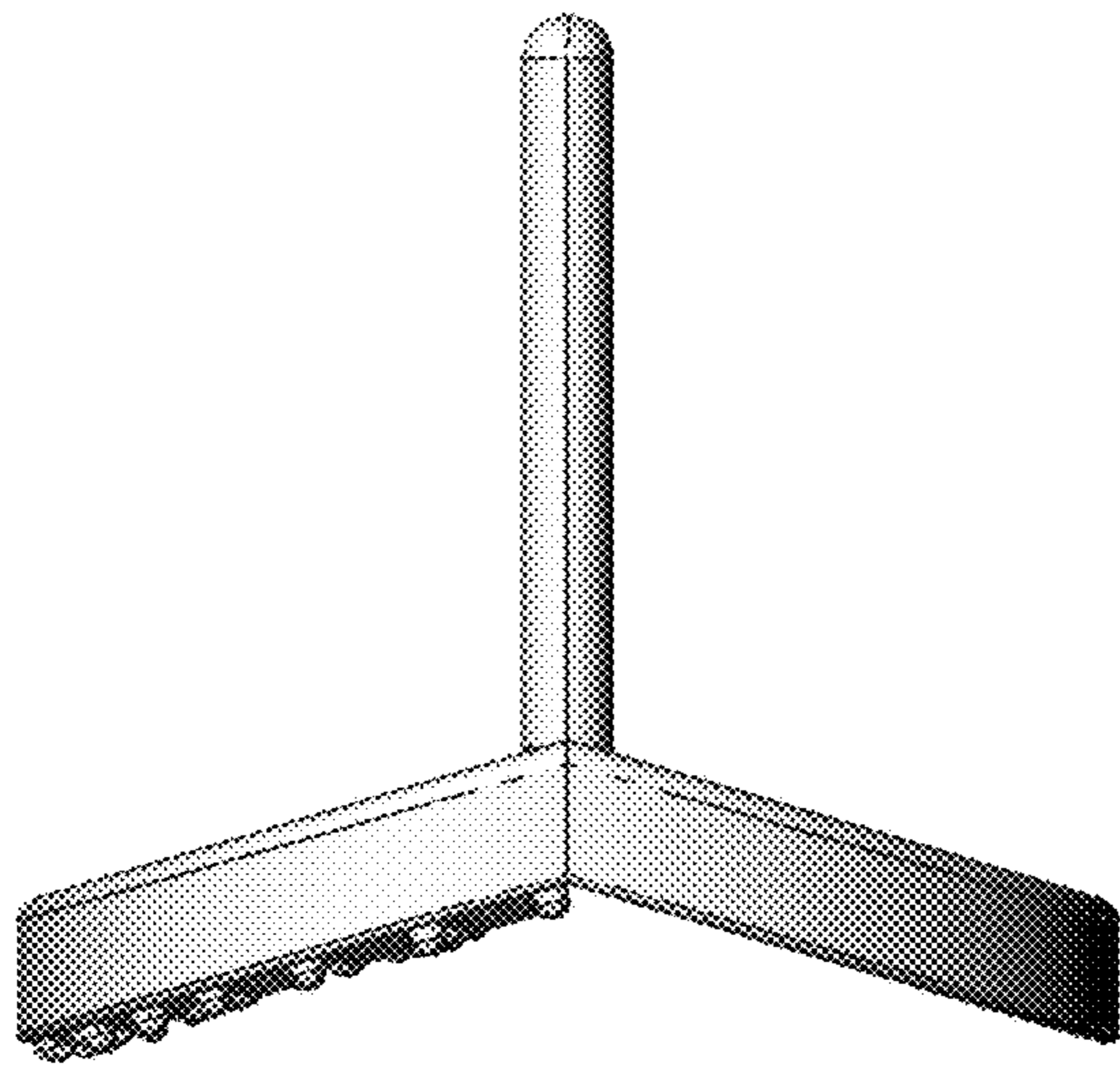
1.3



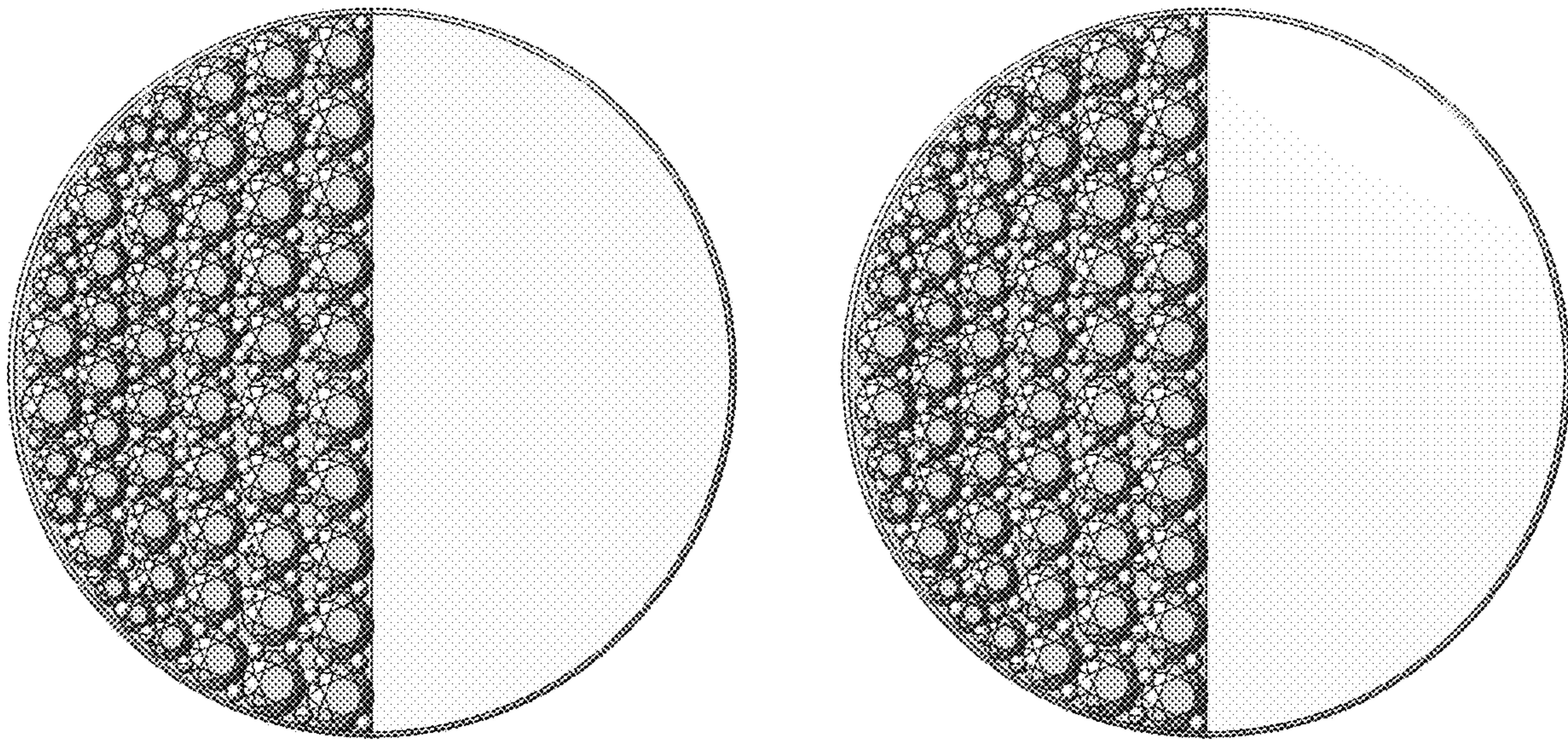
1.4



1.5

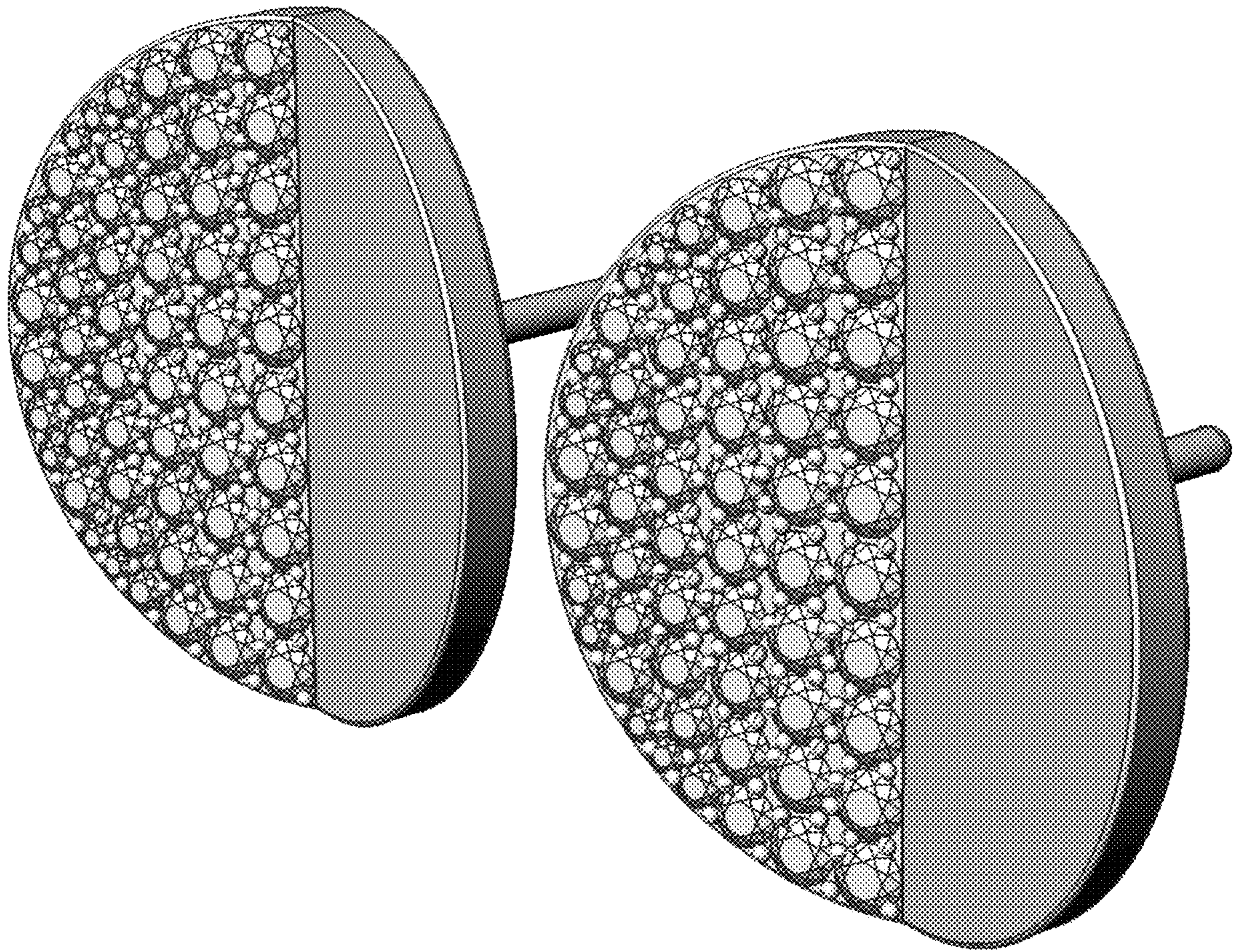


1.6

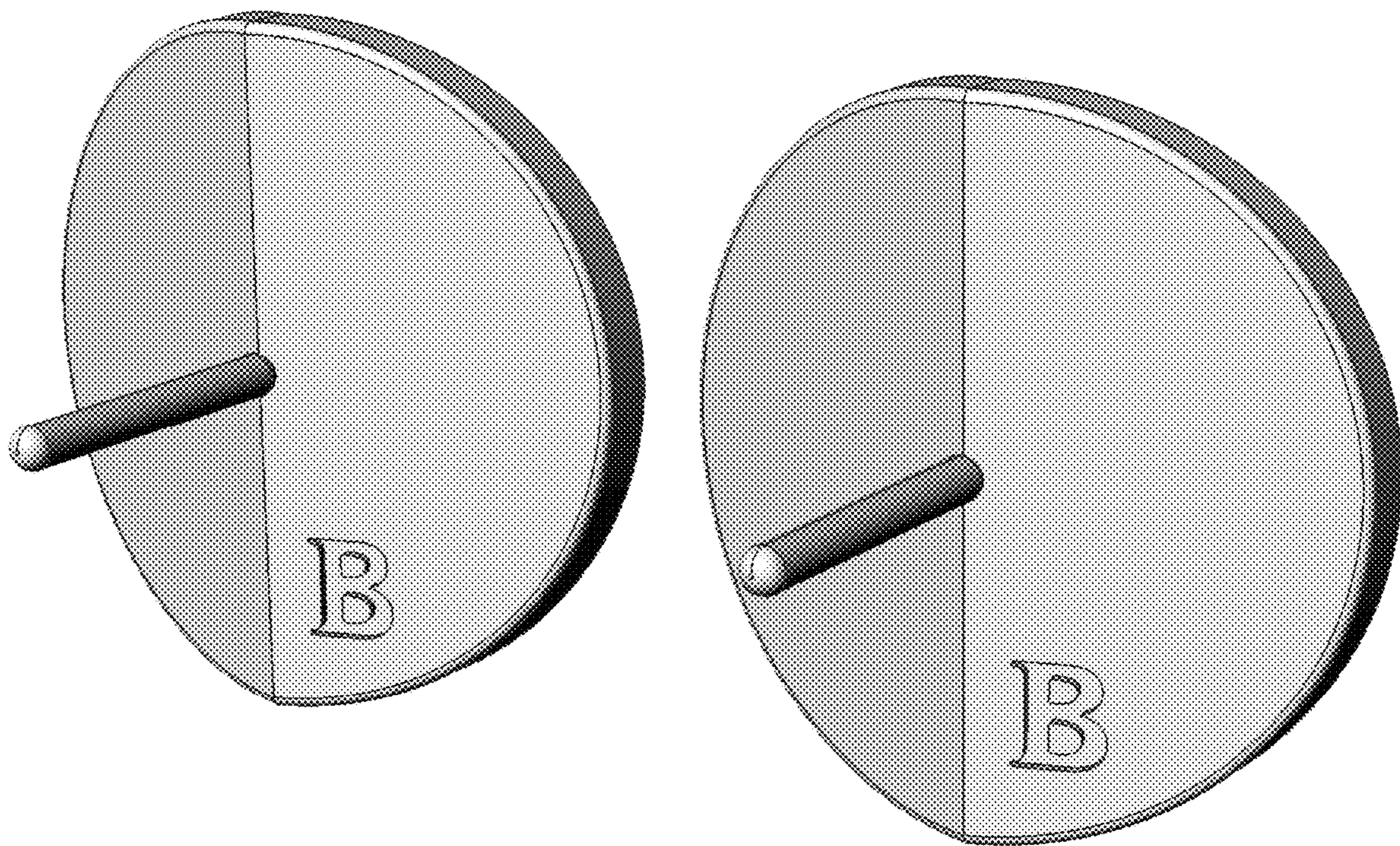


2.1

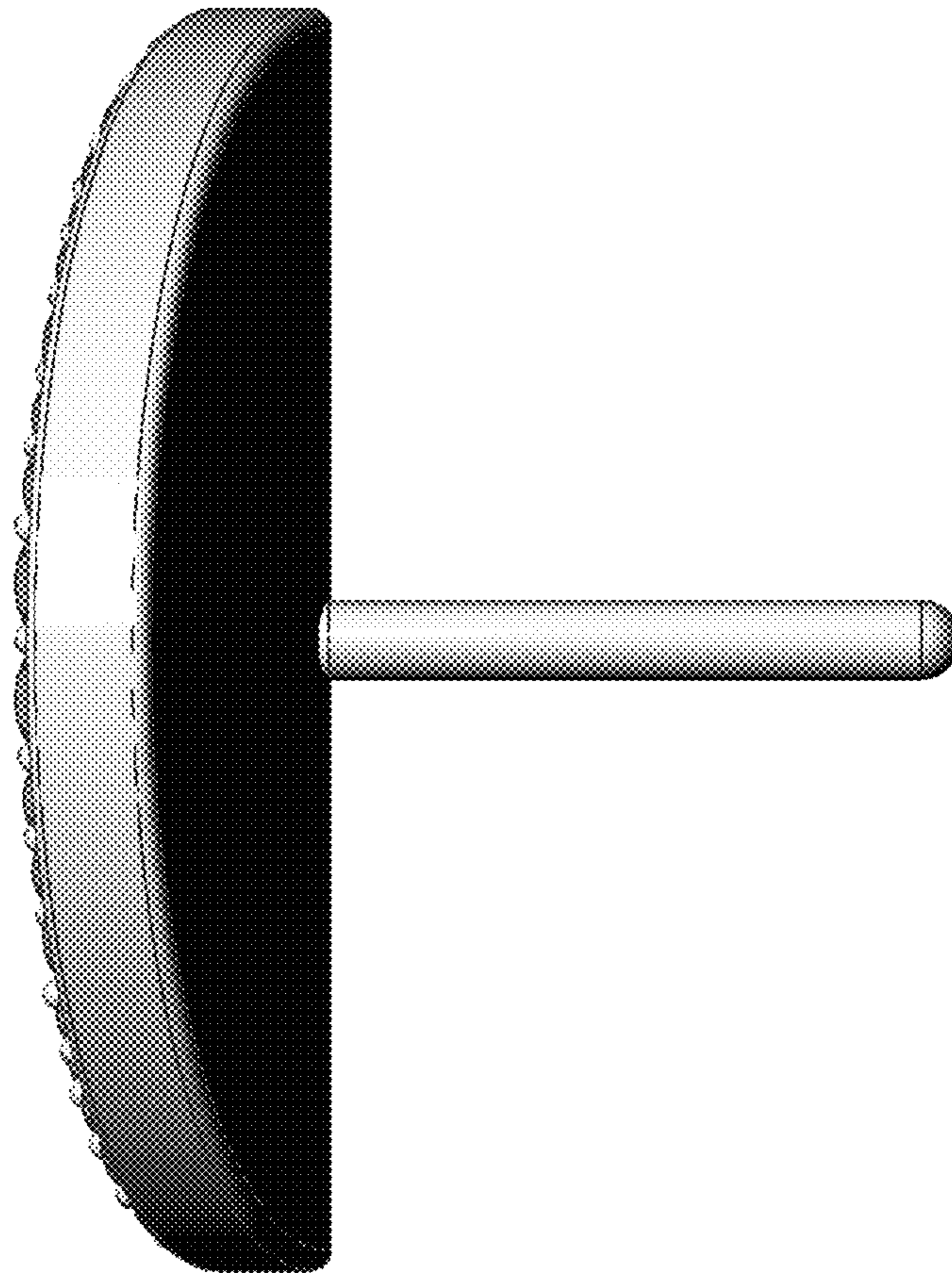




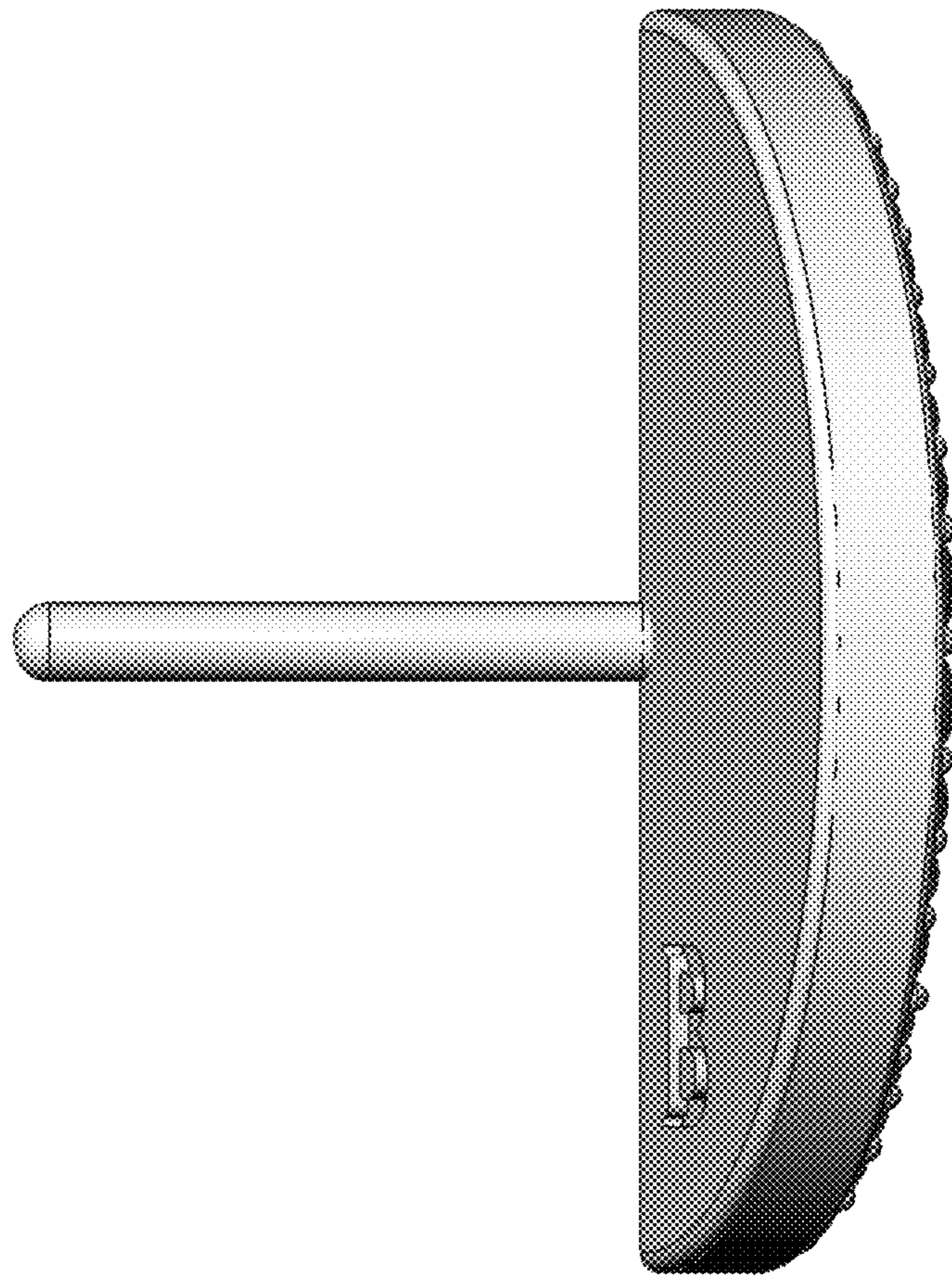
2.2



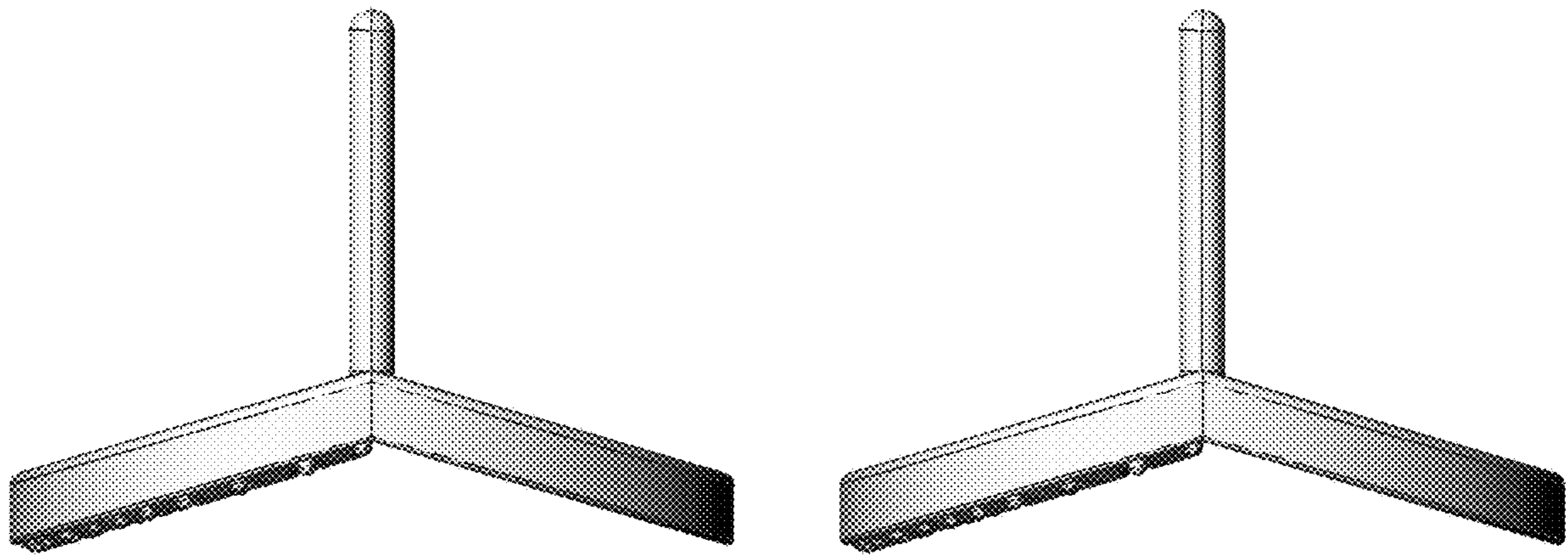
2.3



2.4



2.5



2.6