



US00D876269S

(12) **United States Design Patent** (10) **Patent No.:** **US D876,269 S**
Kamilindi (45) **Date of Patent:** **** Feb. 25, 2020**

(54) **DIAL**
(71) Applicant: **Harry Winston SA**, Plan-les-Ouates (CH)
(72) Inventor: **Steve Kamilindi**, Puplinge (CH)
(73) Assignee: **Harry Winston SA**, Plan-les-Ouates (CH)

D238,559 S * 1/1976 Nozdrea D10/34
D240,908 S * 8/1976 Nozdrea D10/126
D251,791 S * 5/1979 Campbell D11/51
D684,484 S * 6/2013 Chastaingt D10/34
D762,508 S * 8/2016 Ducas D10/126
D794,489 S * 8/2017 Lasserre D10/123
D798,180 S * 9/2017 Kamilindi D10/126
D798,759 S * 10/2017 Valzan D10/126
D833,318 S * 11/2018 Valzan D10/126

(**) Term: **15 Years**
(21) Appl. No.: **29/655,008**
(22) Filed: **Jun. 29, 2018**

(30) **Foreign Application Priority Data**

Jan. 5, 2018 (WO) DM/099 471

(51) **LOC (12) Cl.** **10-07**
(52) **U.S. Cl.**
USPC **D10/126**
(58) **Field of Classification Search**
USPC D10/30-39, 122-124, 126; D11/51, 52, D11/82, 100
CPC G04B 19/06; G04B 19/10; G04B 19/103; G04B 19/12; G04B 19/24; G04B 45/0069; G04B 45/0076; G04B 45/02; G04F 7/08; G04F 7/0842; G04F 7/0871; G09B 27/00-27/06

See application file for complete search history.

(56) **References Cited**

U.S. PATENT DOCUMENTS

D49,591 S * 8/1916 Payne D11/52
D82,784 S * 12/1930 Bichele D11/51
D98,375 S * 1/1936 Taylor D11/82
D142,822 S * 11/1945 Barbieri D11/51
D219,539 S * 12/1970 Stig D11/52

OTHER PUBLICATIONS

Harry Winston Chinese Year of the Dog | posted at harrywinston.com Feb. 2018 [online]. [retrieved May 17, 2019] from Internet: <<https://www.harrywinston.com/en/news-events/harry-winston-celebrates-chinese-year-dog>> (Year: 2018).*
LIULI x Harry Winston Bespoke | posted at liuliusa.com n.d. [online]. © 2019 LIULI Crystal Art [retrieved May 17, 2019] from Internet: <<https://www.liuliusa.com/blogs/blog/liuli-x-harry-winston-custom-art>> (Year: 2019).*

* cited by examiner

Primary Examiner — Karen E Kearney
Assistant Examiner — Katherine Glennon
(74) *Attorney, Agent, or Firm* — Blank Rome LLP

(57) **CLAIM**

The ornamental design for a dial, as shown and described.

DESCRIPTION

FIG. 1 is a front view of a dial of the present design;
FIG. 2 is a rear view thereof;
FIG. 3 is a right side view thereof;
FIG. 4 is a left side view thereof;
FIG. 5 is a top view thereof;
FIG. 6 is a bottom view thereof; and
FIG. 7 is a front perspective view thereof; and,
FIG. 8 is a rear perspective view thereof.

1 Claim, 8 Drawing Sheets

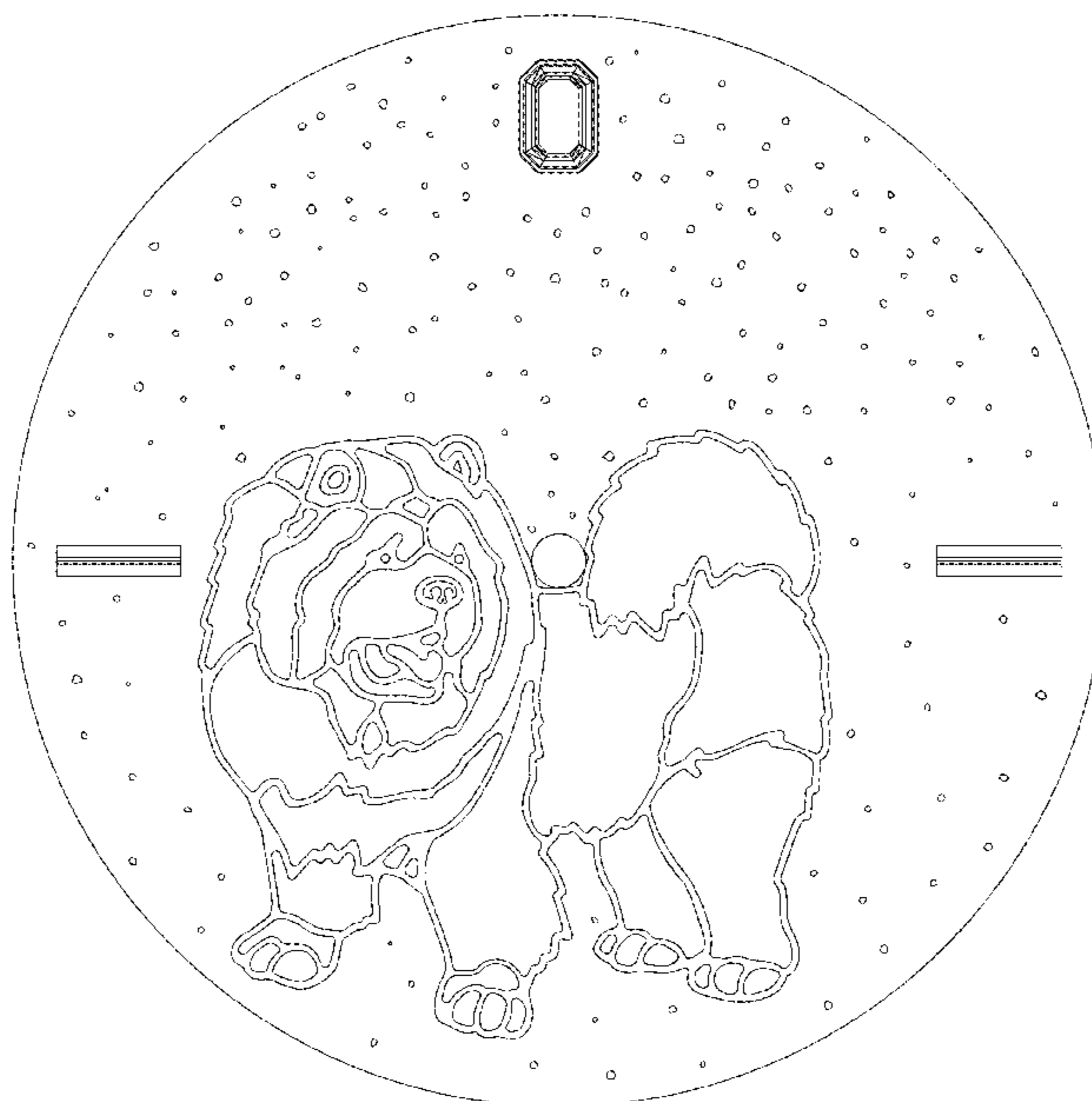




FIG. 1

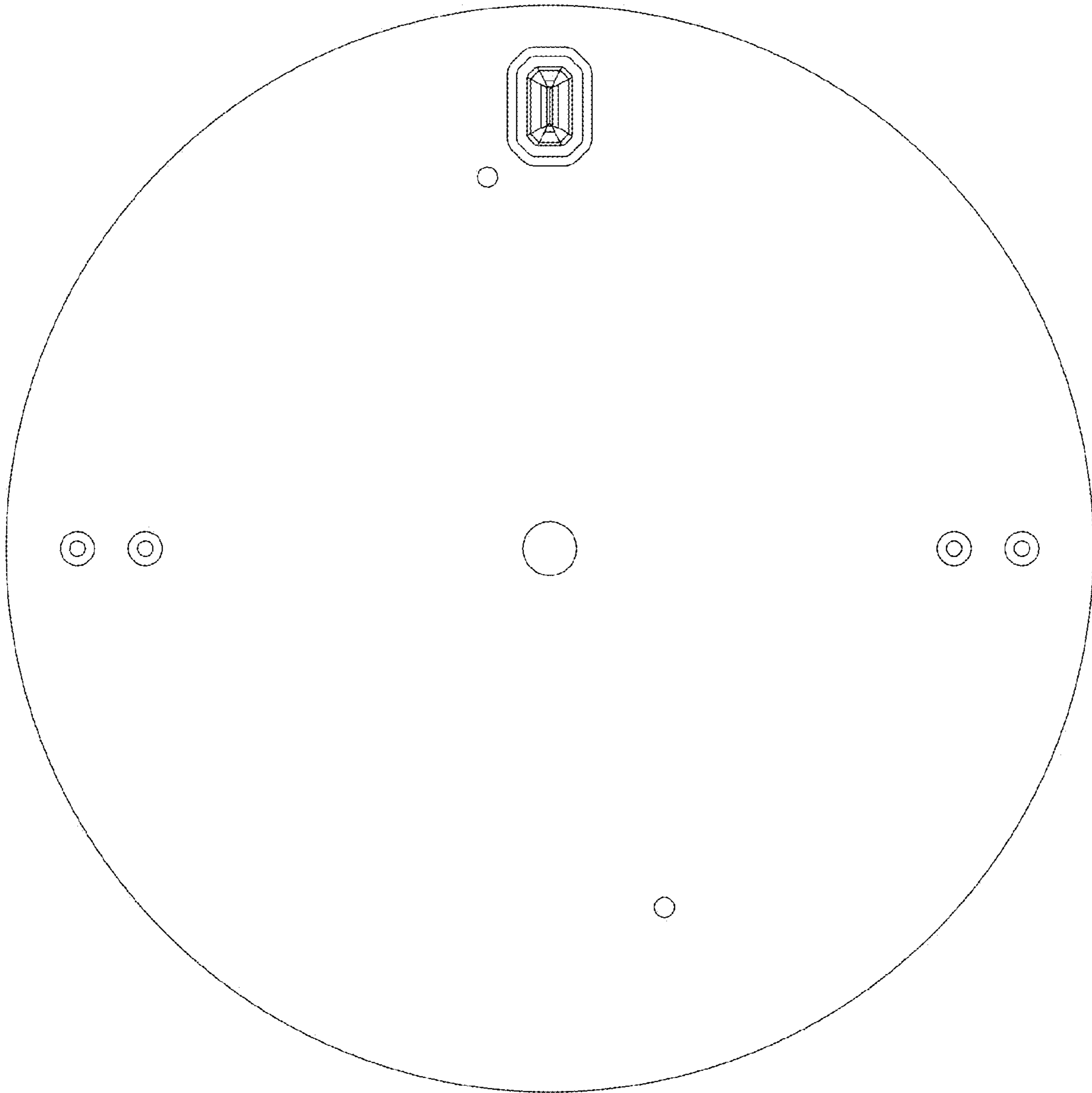


FIG. 2

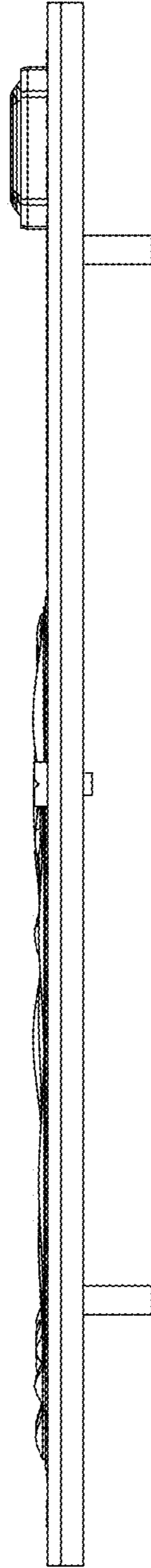


FIG. 3

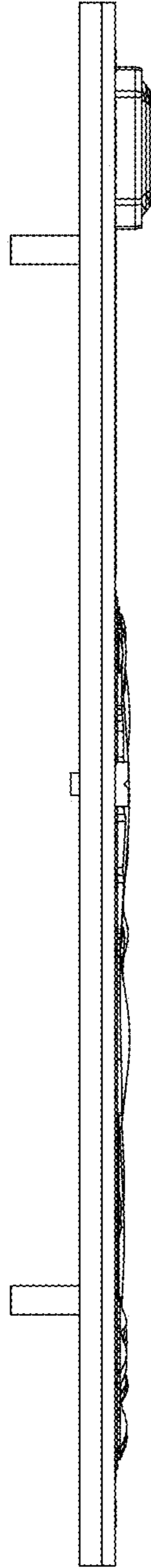


FIG. 4

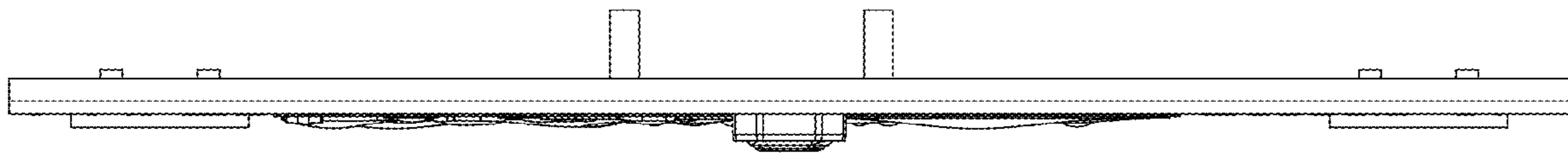


FIG. 5

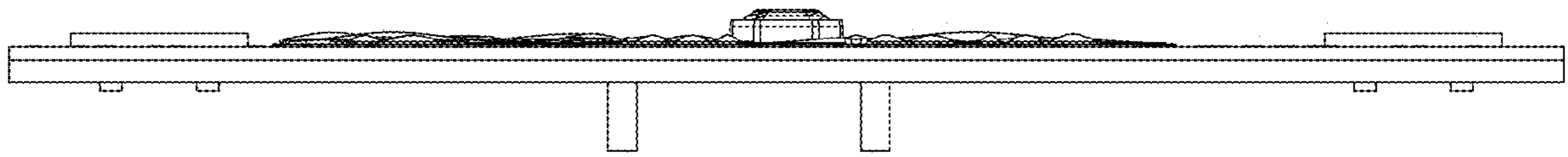


FIG. 6

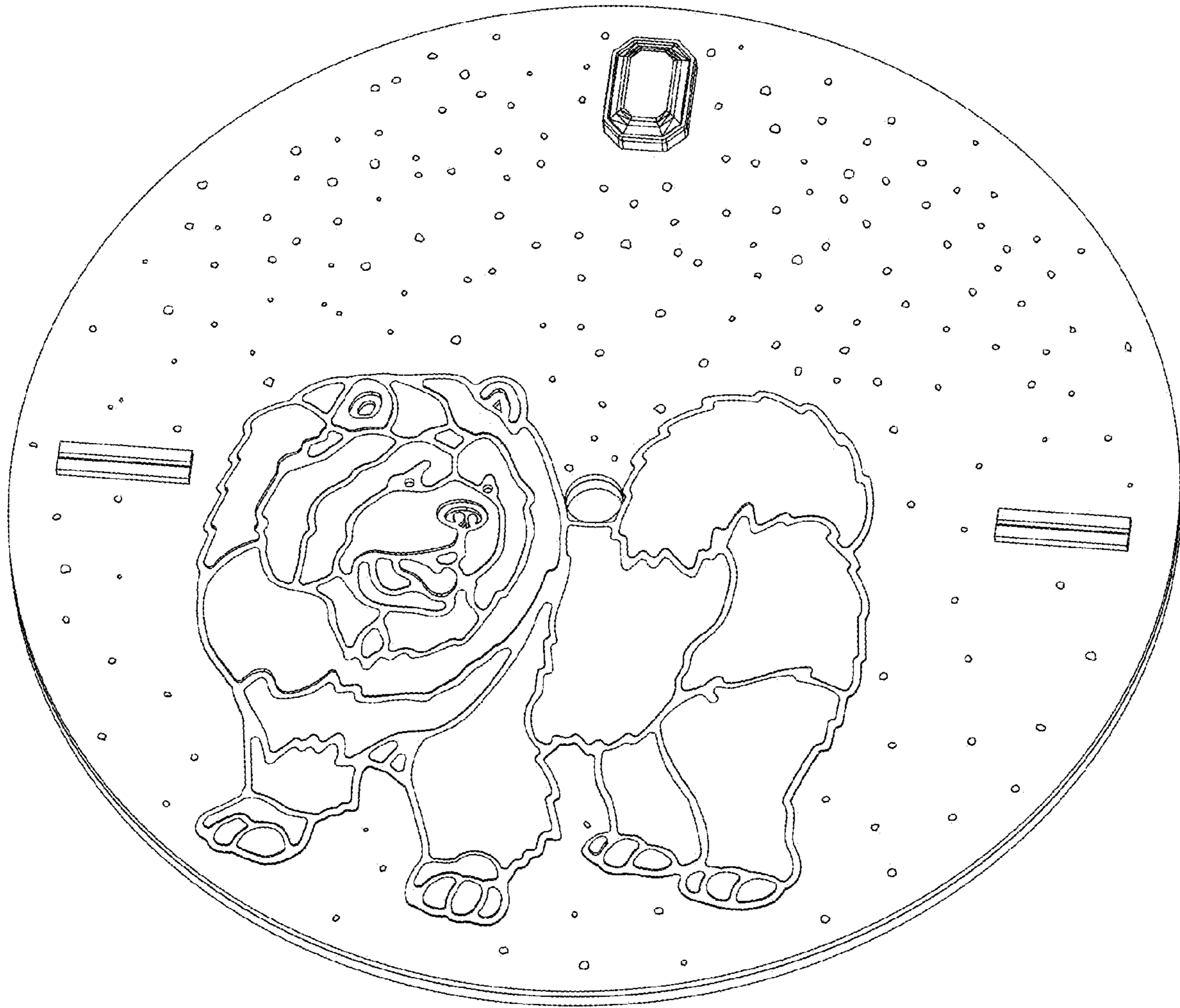


FIG. 7

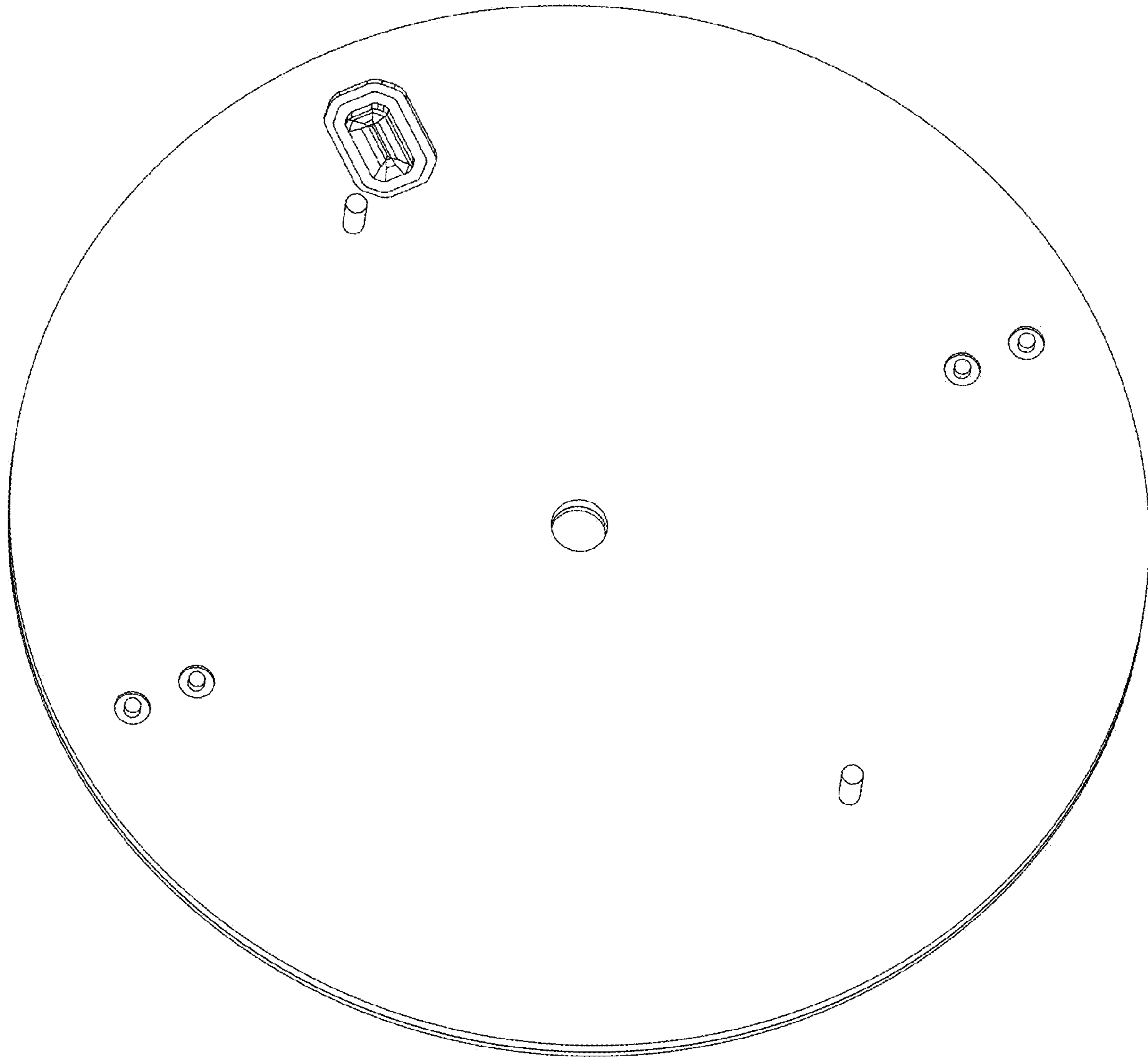


FIG. 8