



US00D876265S

(12) **United States Design Patent**
Bouan

(10) **Patent No.:** **US D876,265 S**

(45) **Date of Patent:** **** Feb. 25, 2020**

- (54) **ANTI-THEFT LOCKING DEVICE**
- (71) Applicant: **FORS FRANCE**, Champigny sur Marne (FR)
- (72) Inventor: **Bruno Bouan**, Champigny sur Marne (FR)
- (**) Term: **15 Years**
- (21) Appl. No.: **35/506,109**
- (22) Filed: **Oct. 9, 2018**
- (80) **Hague Agreement Data**
 Int. Filing Date: **Oct. 9, 2018**
 Int. Reg. No.: **DM/103729**
 Int. Reg. Date: **Oct. 9, 2018**
 Int. Reg. Pub. Date: **Nov. 30, 2018**
- (51) **LOC (12) Cl.** **10-05**
- (52) **U.S. Cl.**
USPC **D10/106.9**
- (58) **Field of Classification Search**
USPC D10/104.1, 106.9, 106.91, 106.92;
D8/330
CPC E05B 73/0017; Y10T 70/5004
See application file for complete search history.

- (56) **References Cited**
U.S. PATENT DOCUMENTS
 D383,991 S * 9/1997 Leyden D10/104.1
 D626,022 S * 10/2010 Sayegh D10/106.91
 D649,076 S * 11/2011 Alexander D10/106.9

- D651,889 S * 1/2012 Mahaffey D8/330
- D658,036 S * 4/2012 Fong D8/330
- D660,682 S * 5/2012 Mahaffey D8/330
- D697,825 S * 1/2014 Yang D10/106.9
- D709,399 S * 7/2014 Strauser D10/106.92
- D727,191 S * 4/2015 Yang D10/106.92
- D732,412 S * 6/2015 Sayegh D10/106.9
- D741,738 S * 10/2015 Perez D10/106.91
- D742,773 S * 11/2015 Yang D10/106.92
- 9,652,954 B2 * 5/2017 Piccoli E05B 73/0017
- 9,790,715 B2 * 10/2017 Bouan E05B 73/0017
- D804,345 S * 12/2017 Piccoli D10/106.9
- 2005/0005485 A1 * 1/2005 Wheeler B65D 67/02
40/299.01
- 2010/0024497 A1 * 2/2010 Wu E05B 17/14
70/419
- 2014/0071643 A1 * 3/2014 Yang H05K 5/0208
361/755
- 2015/0262463 A1 * 9/2015 Piccoli E05B 73/0017
340/572.8

* cited by examiner

Primary Examiner — Deanna L Pratt

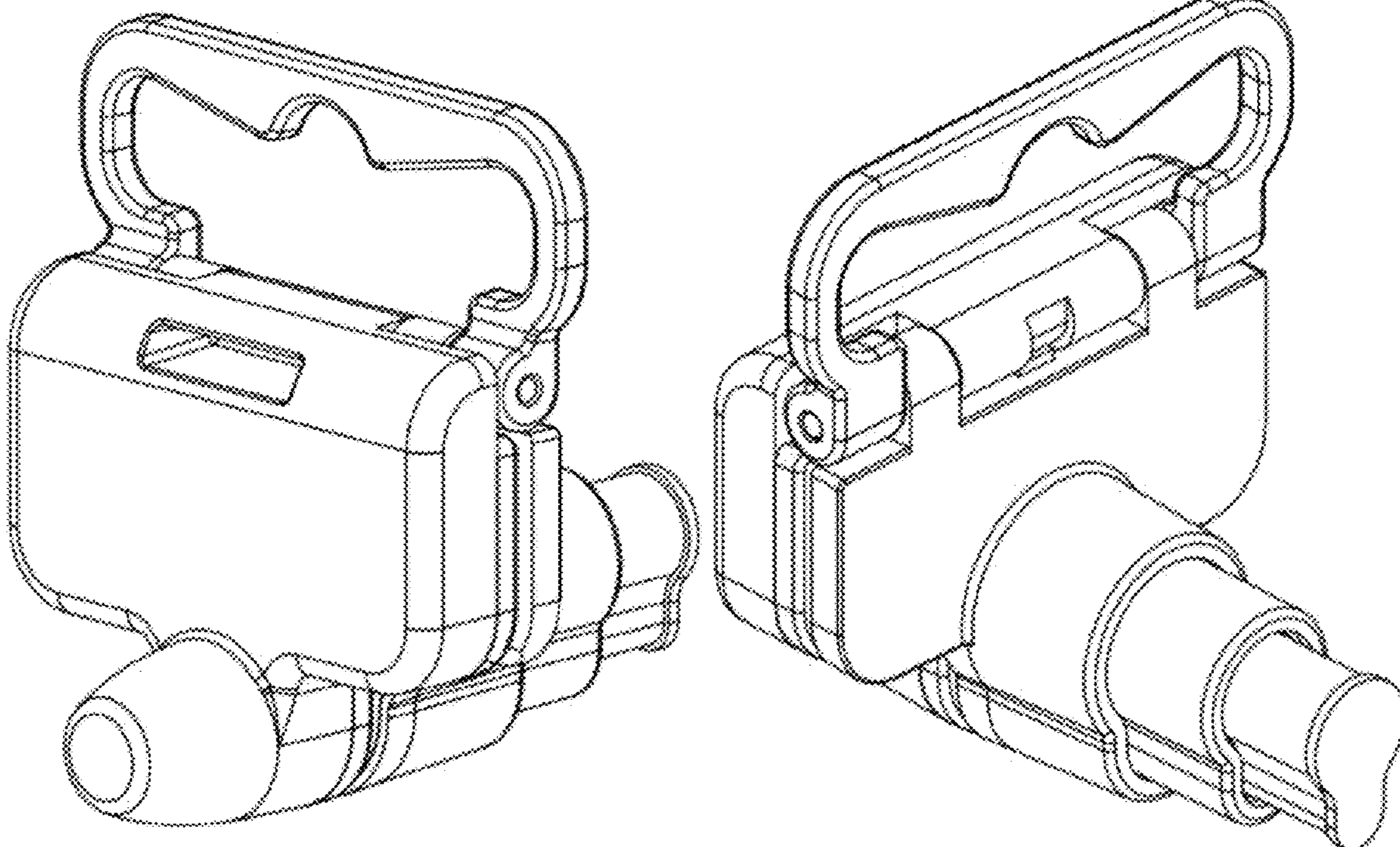
(57) **CLAIM**

The ornamental design for an anti-theft locking device, as shown and described.

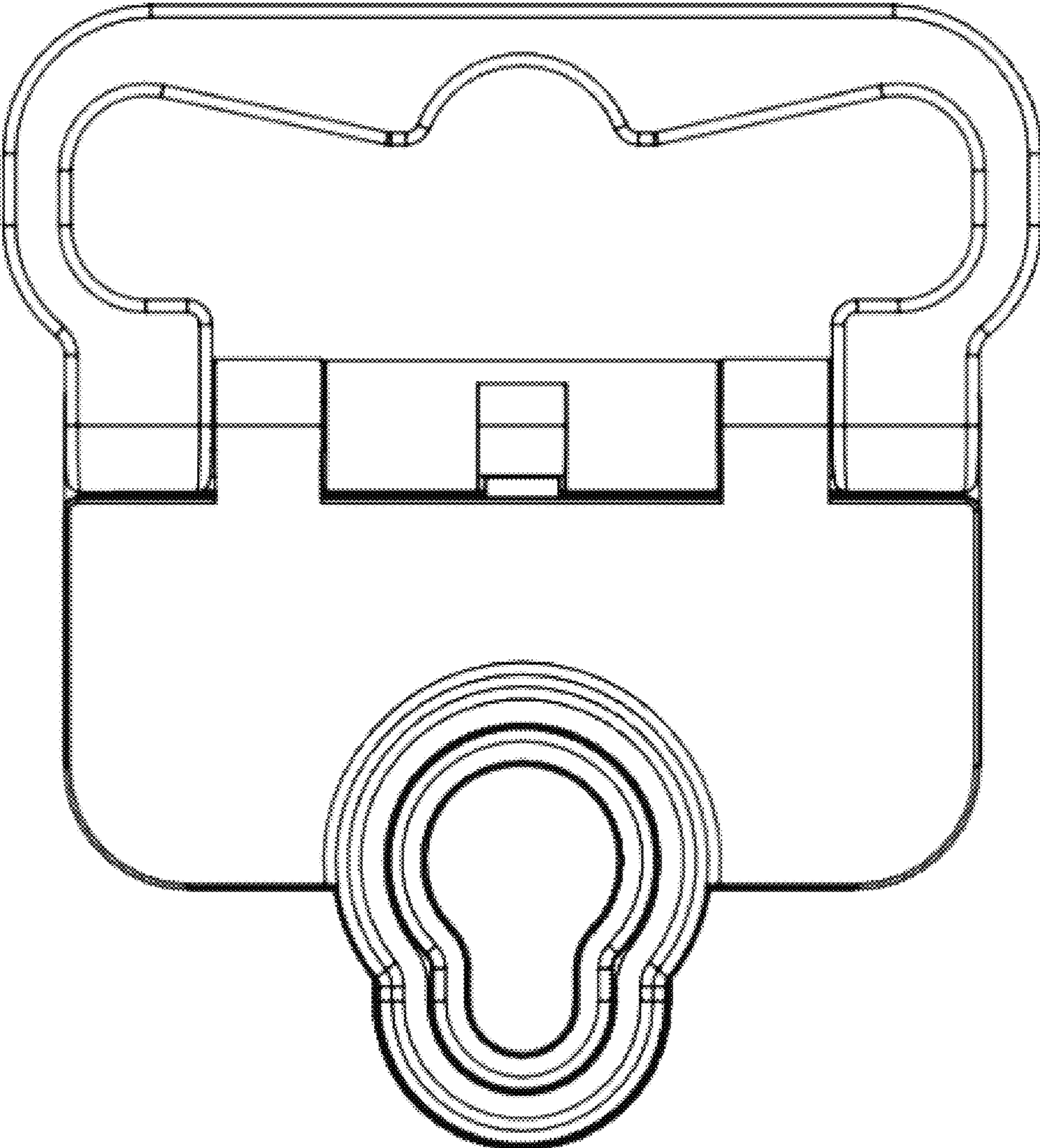
DESCRIPTION

- 1. Anti-theft locking device
- 1.1 : Front
- 1.2 : Perspective
- 1.3 : Perspective
- 1.4 : Perspective

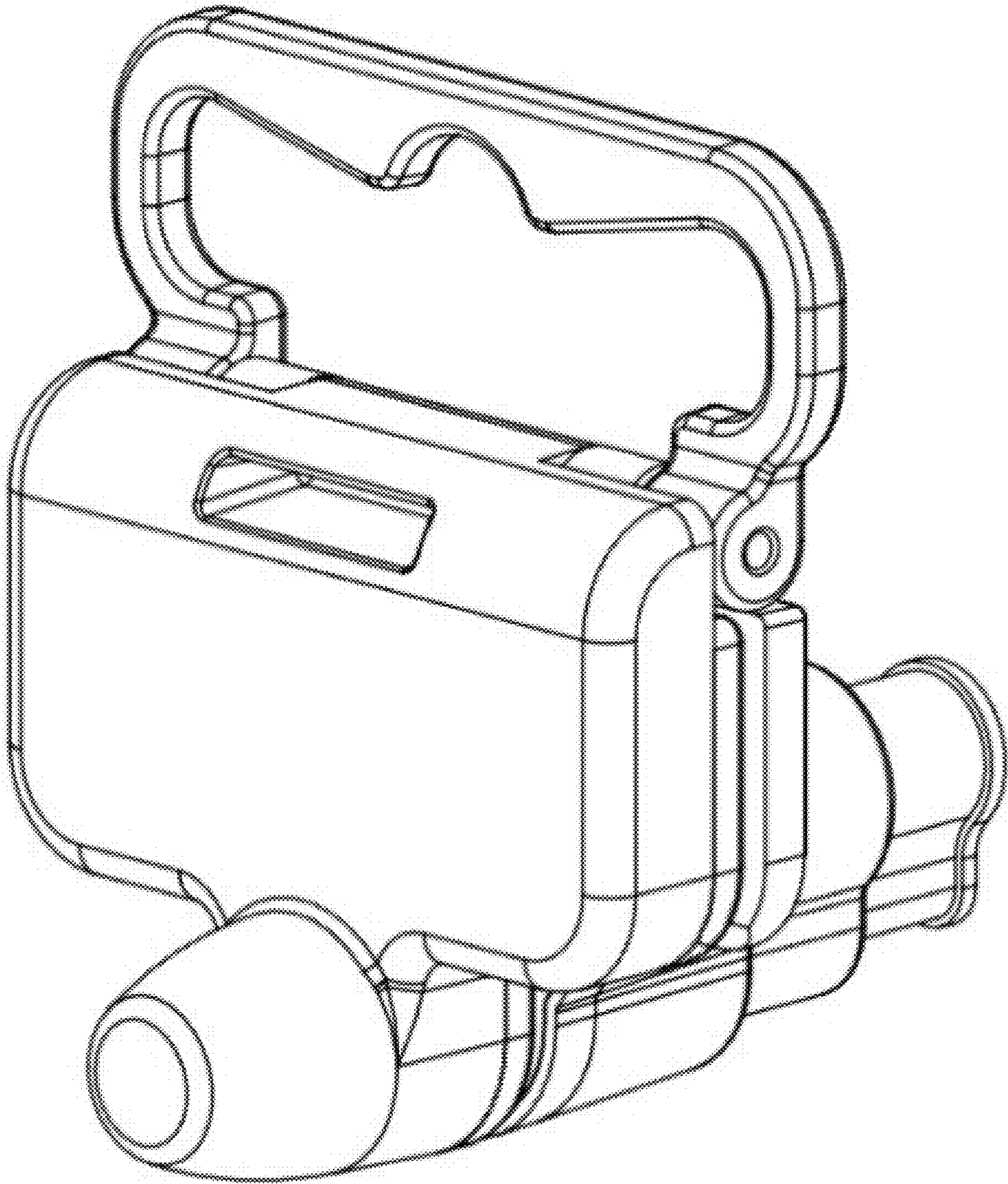
1 Claim, 4 Drawing Sheets



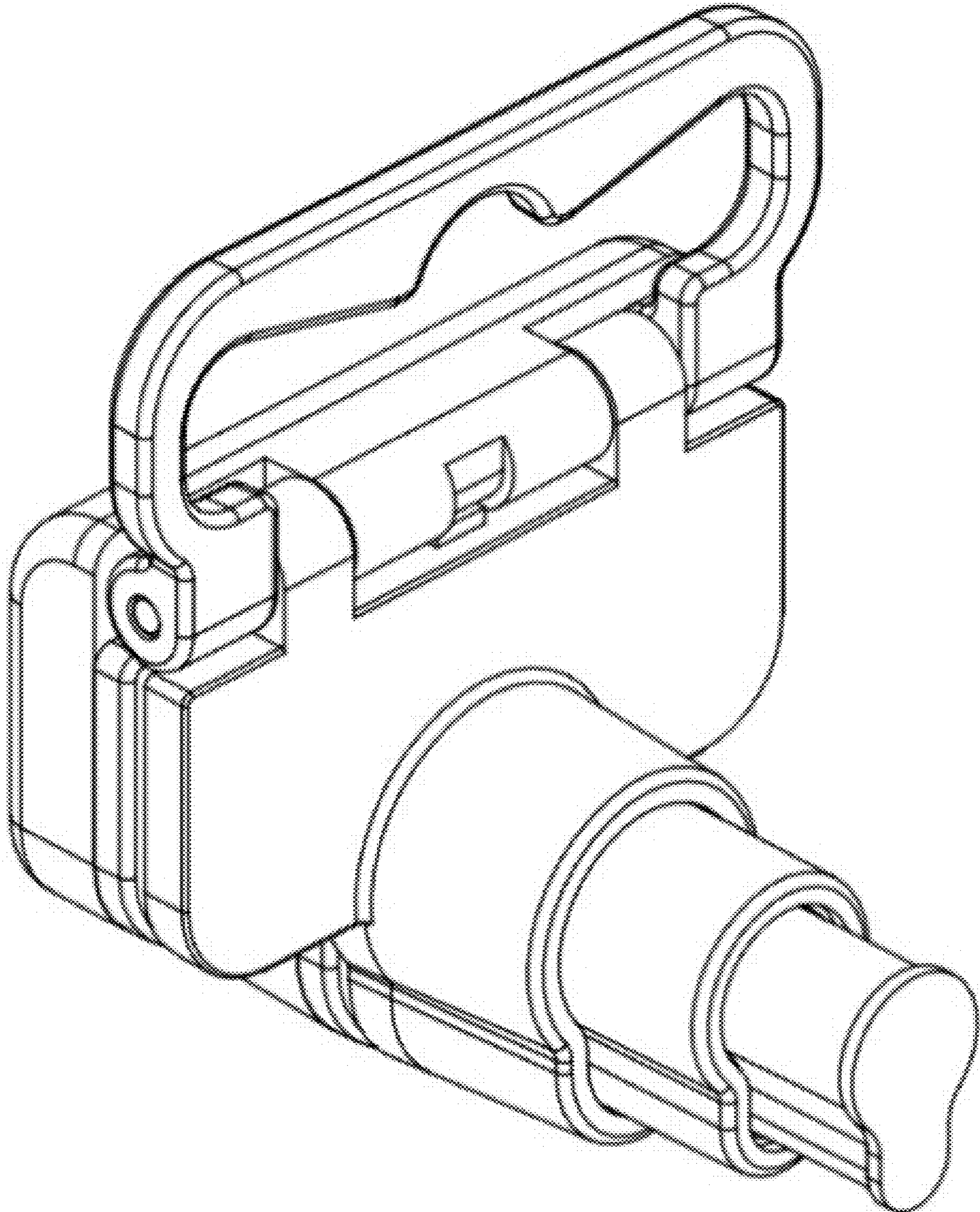
1.1



1.2



1.3



1.4

