



US00D876263S

(12) **United States Design Patent** (10) **Patent No.:** **US D876,263 S**
Abdul-Hadi et al. (45) **Date of Patent:** **** Feb. 25, 2020**

(54) **ANSI ELECTRIC METER ASSEMBLY**

5,861,742 A * 1/1999 Miller G01R 22/065
324/155

(71) Applicant: **LANDIS+GYR INNOVATIONS, INC.**, Alpharetta, GA (US)

D412,859 S * 8/1999 Thiel D10/103
7,800,890 B1 * 9/2010 Therrien G01R 22/065
324/156

(72) Inventors: **Louay Abdul-Hadi**, Woodstock, GA (US); **Keith Mario Torpy**, Sydney (AU); **Nikhil Tanwani**, Delhi (IN); **Bahadur Singh Rathore**, Noida (IN)

(Continued)

Primary Examiner — Antoine Duval Davis
(74) *Attorney, Agent, or Firm* — Kilpatrick Townsend & Stockton LLP

(73) Assignee: **Landis+Gyr Innovations, Inc.**, Alpharetta, GA (US)

(57) **CLAIM**

The ornamental design for an ANSI electric meter assembly, as shown and described.

(**) Term: **15 Years**

DESCRIPTION

(21) Appl. No.: **29/658,490**

FIG. 1 is a perspective view of an ANSI electric meter assembly having a meter cover in accordance with an embodiment of the present invention.

(22) Filed: **Jul. 31, 2018**

FIG. 2 is an exploded assembly view of the ANSI electric meter assembly with the meter cover of FIG. 1.

(51) **LOC (12) Cl.** **10-04**

FIG. 3 is an isolated perspective view of the meter cover of FIG. 1.

(52) **U.S. Cl.**

FIG. 4 is an isolated front view of the meter cover of FIG. 1.

USPC **D10/100**

(58) **Field of Classification Search**

USPC D10/99, 100

CPC G01R 22/065; G01R 11/14; H05K 5/03;

H05K 7/1427; H01R 12/724; G01F

15/14; Y10T 137/6995; E02D 29/14;

E02D 29/1472; H02B 1/03; H02B 1/06;

H02B 1/063; H02B 1/066

See application file for complete search history.

FIG. 5 is an isolated rear view of the meter cover of FIG. 1.

FIG. 6 is an isolated left side view of the meter cover of FIG. 1.

FIG. 7 is an isolated right side view of the meter cover of FIG. 1.

FIG. 8 is an isolated top view of the meter cover of FIG. 1.

FIG. 9 is an isolated bottom view of the meter cover of FIG. 1; and,

FIG. 10 is a perspective environmental view of the ANSI electric meter assembly of FIG. 1 mounted on a meter box on a wall.

The details shown in broken lines are for illustrative purposes only and form no part of the claimed design. The dash-dot-dash broken lines represent boundaries of unclaimed portions of the claimed design and form no part of the claimed design.

(56) **References Cited**

U.S. PATENT DOCUMENTS

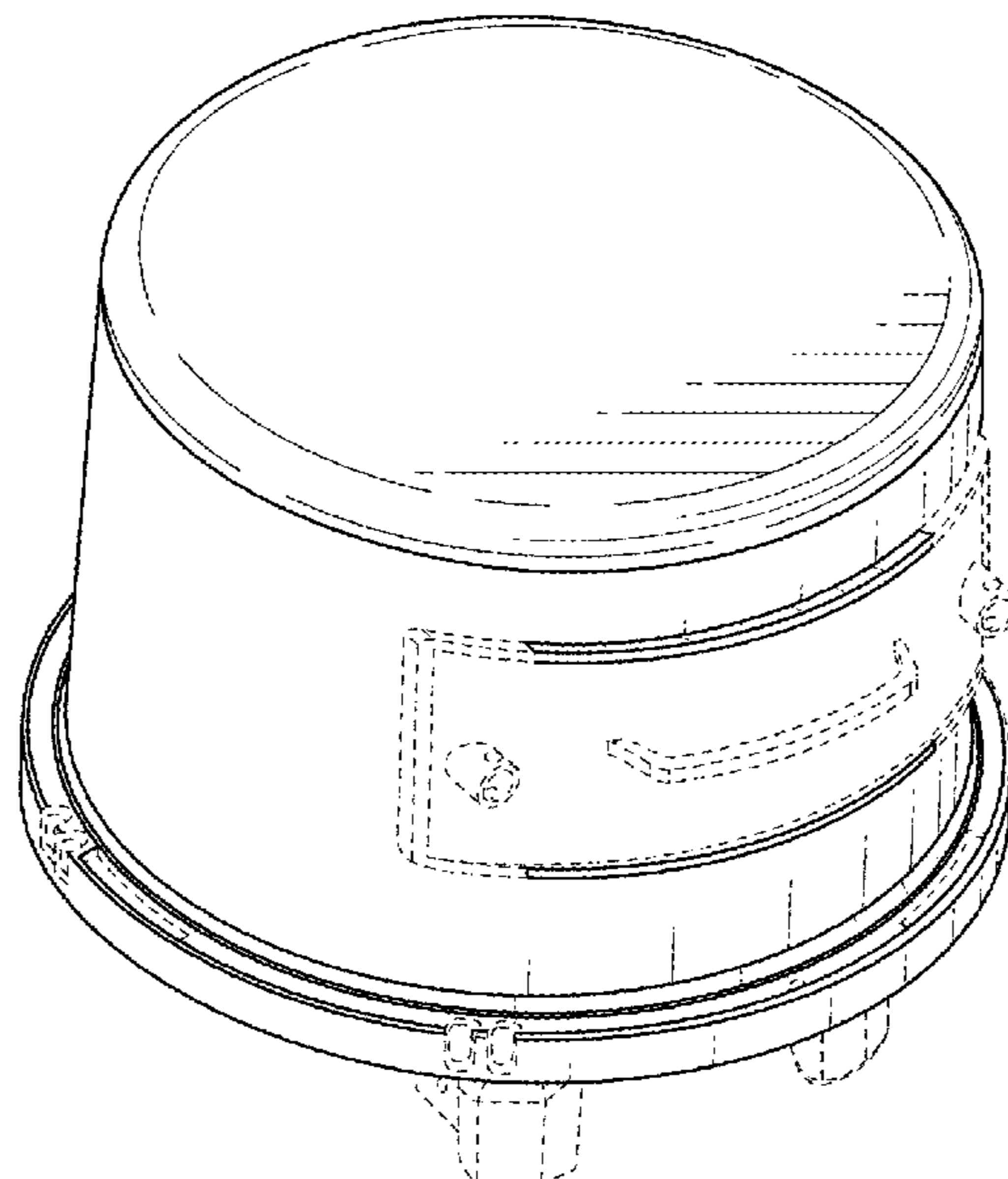
D213,466 S * 3/1969 Moran et al. D10/100

5,473,504 A * 12/1995 Horan H02B 1/00
324/110

5,499,159 A * 3/1996 Gatz H02B 1/03
220/324

D381,281 S * 7/1997 Miller D10/100

1 Claim, 7 Drawing Sheets



(56)

References Cited

U.S. PATENT DOCUMENTS

8,717,007 B2 * 5/2014 Banhegyesi G01R 22/065
324/110
10,234,490 B1 * 3/2019 Abdul-Hadi H05K 7/1427

* cited by examiner

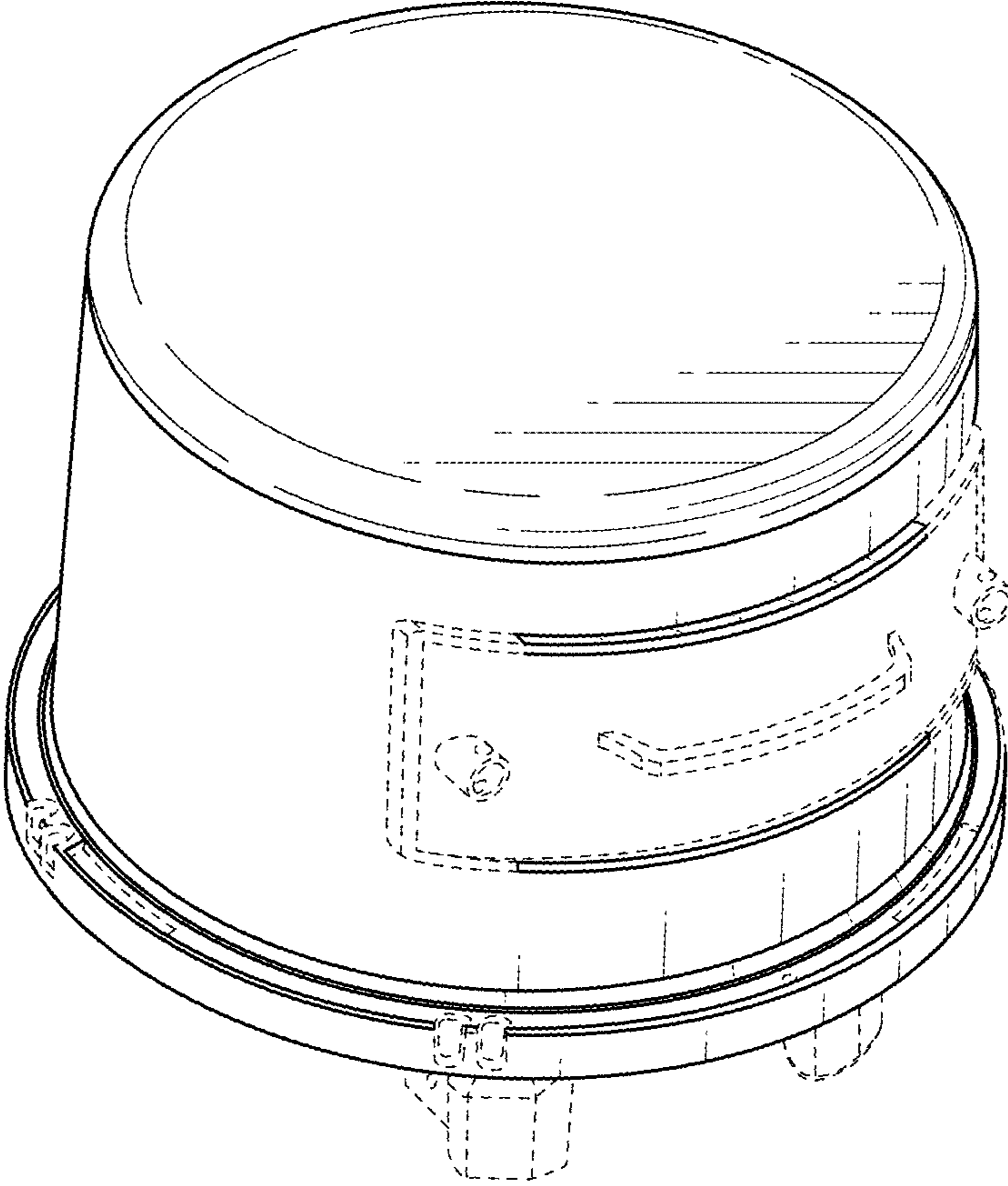


FIG. 1

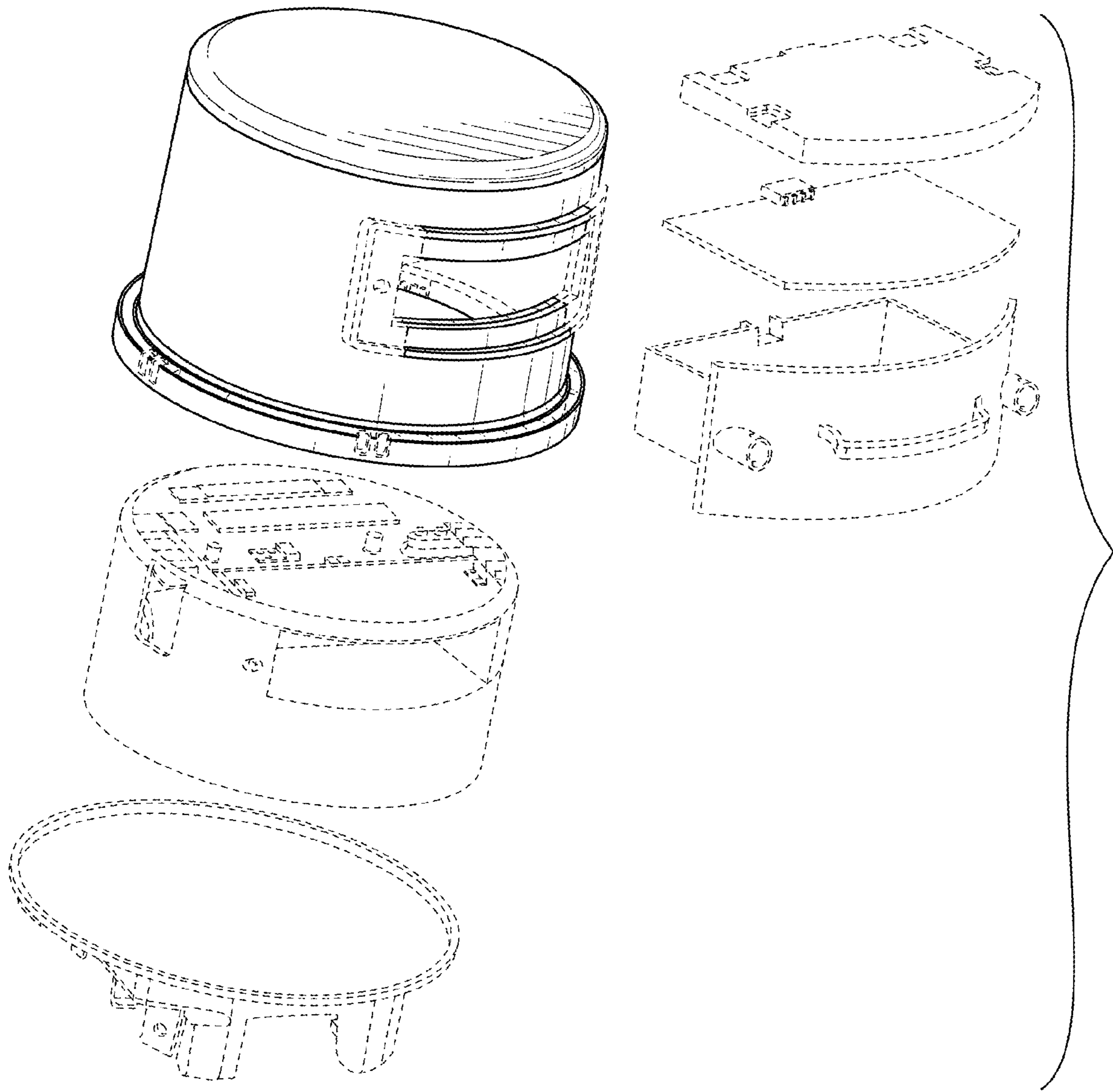


FIG. 2

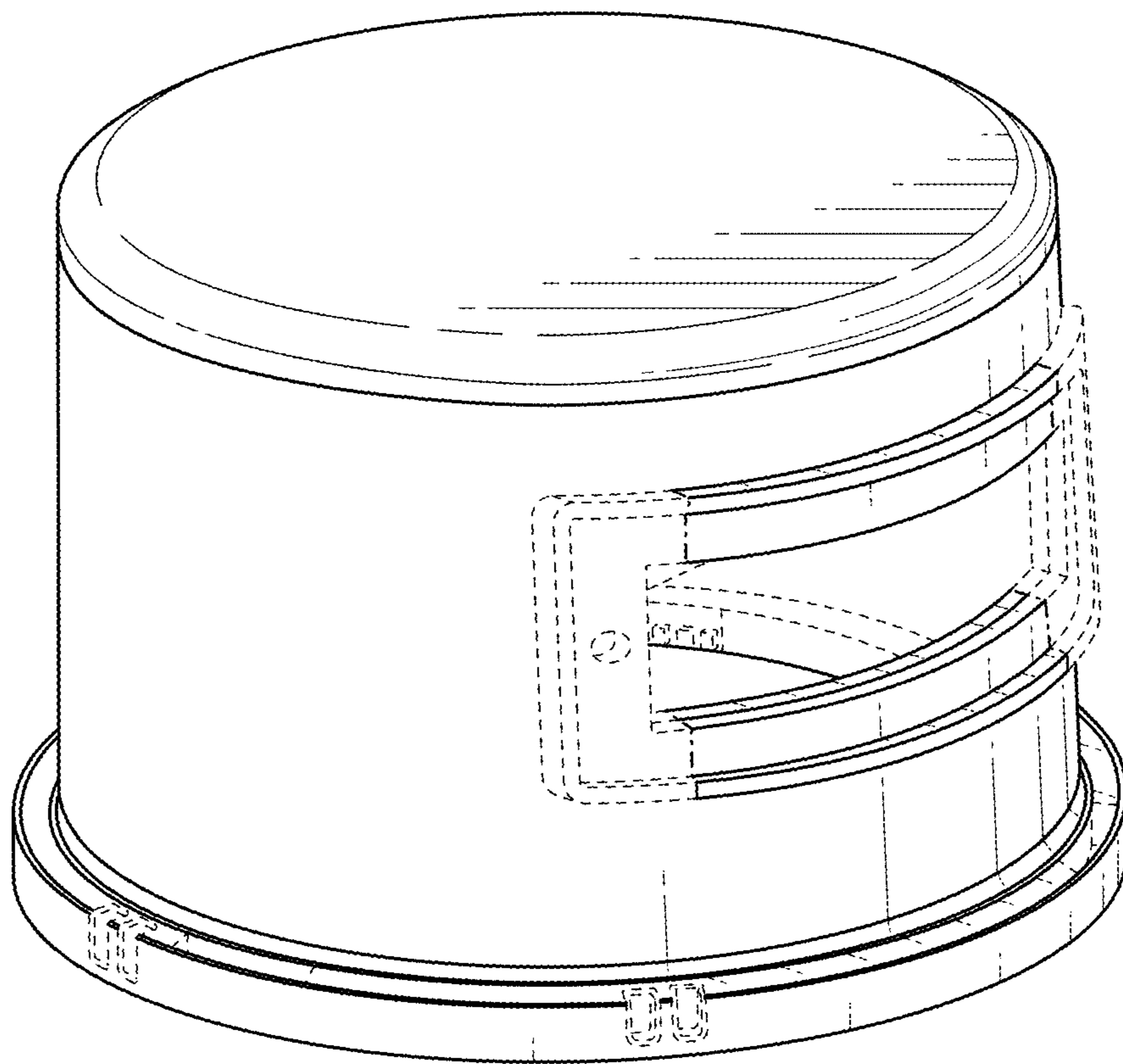


FIG. 3

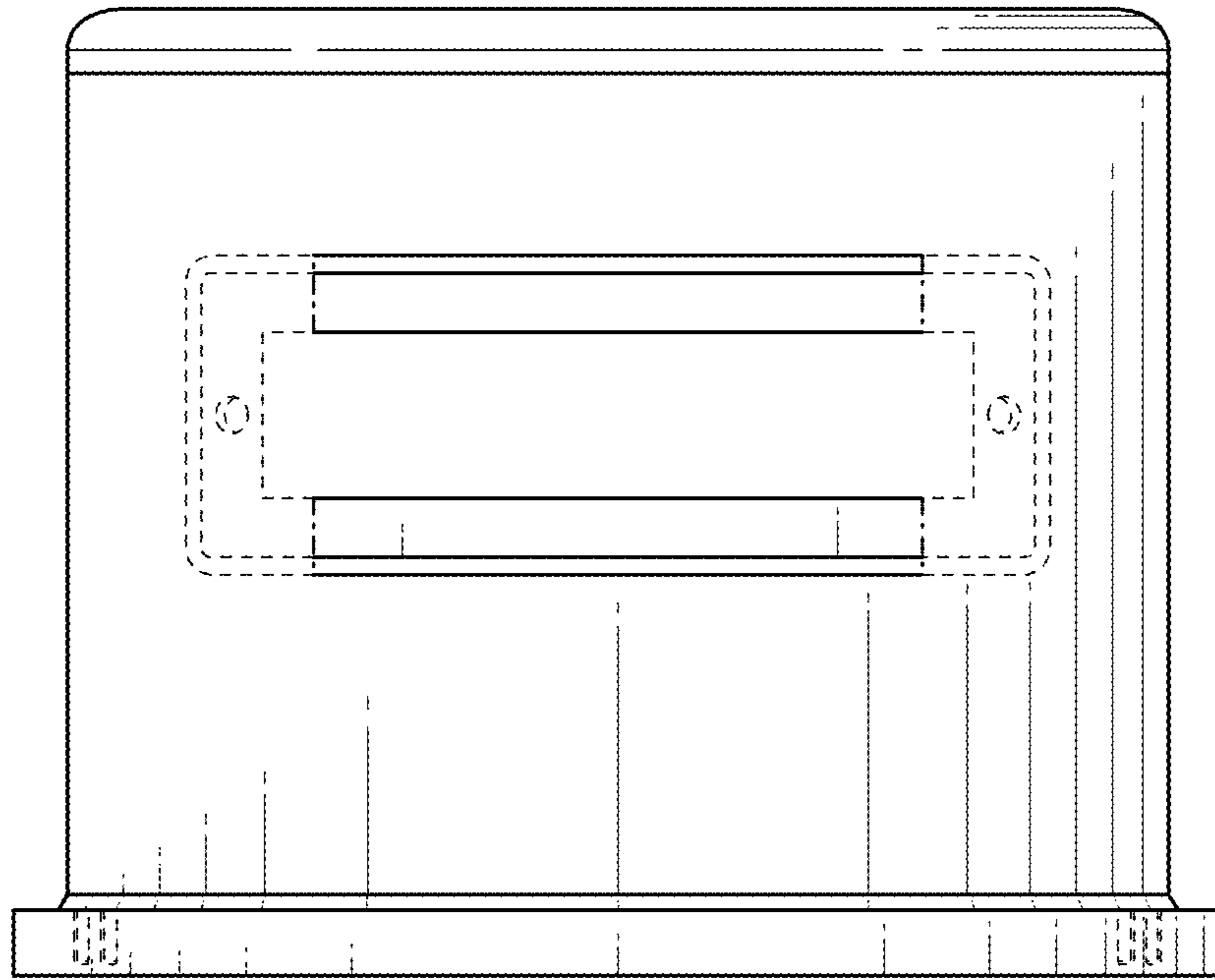


FIG. 4

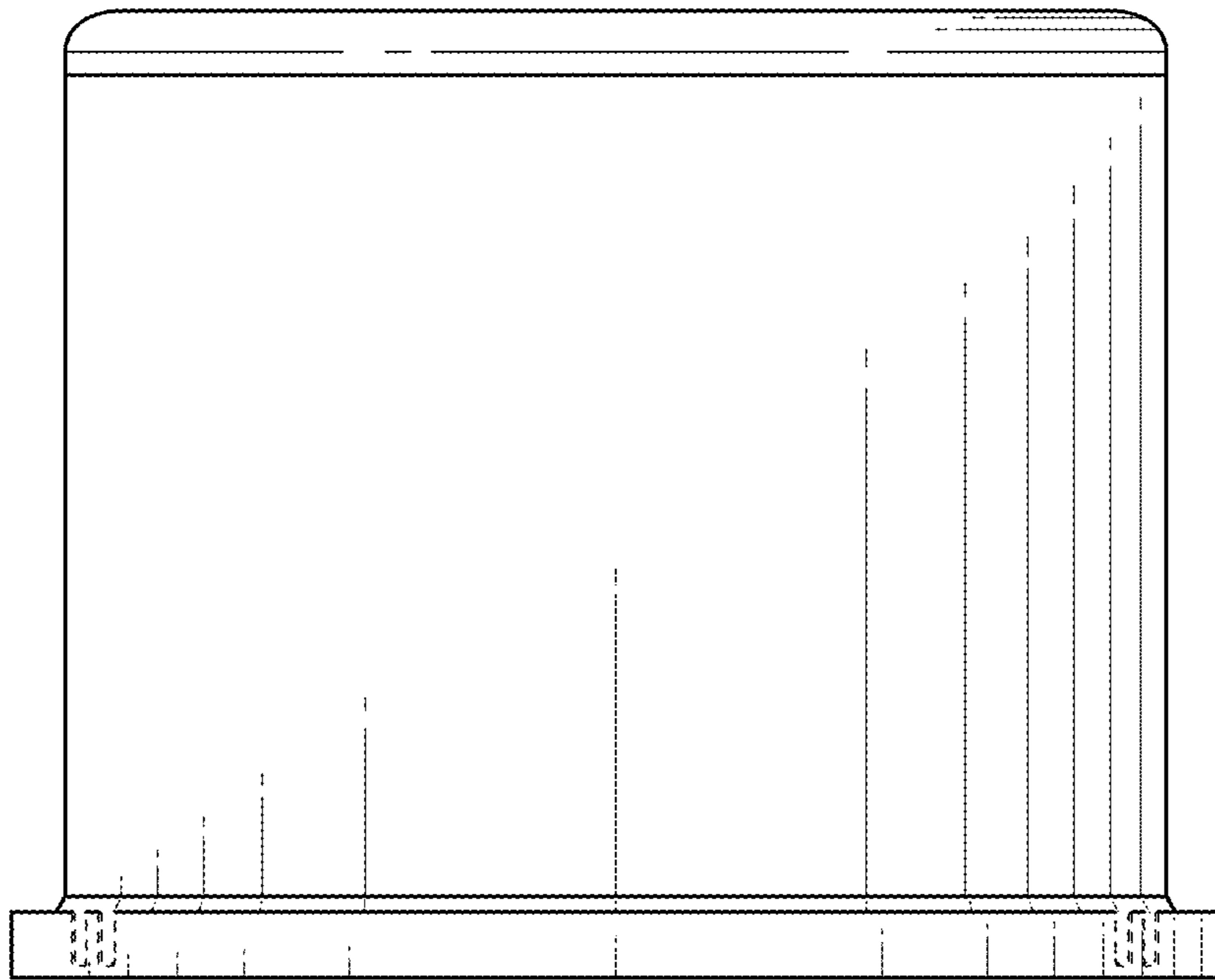


FIG. 5

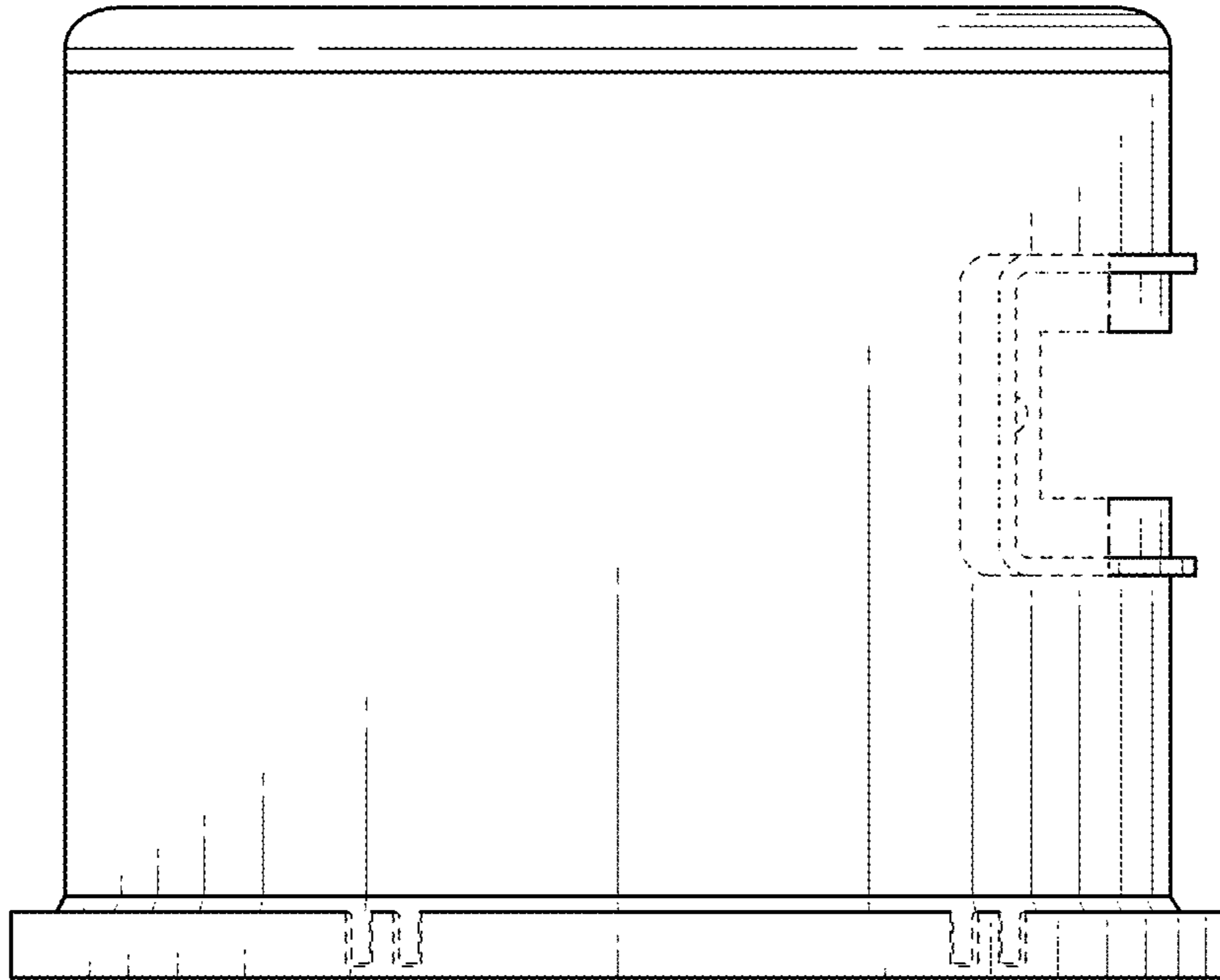


FIG. 6

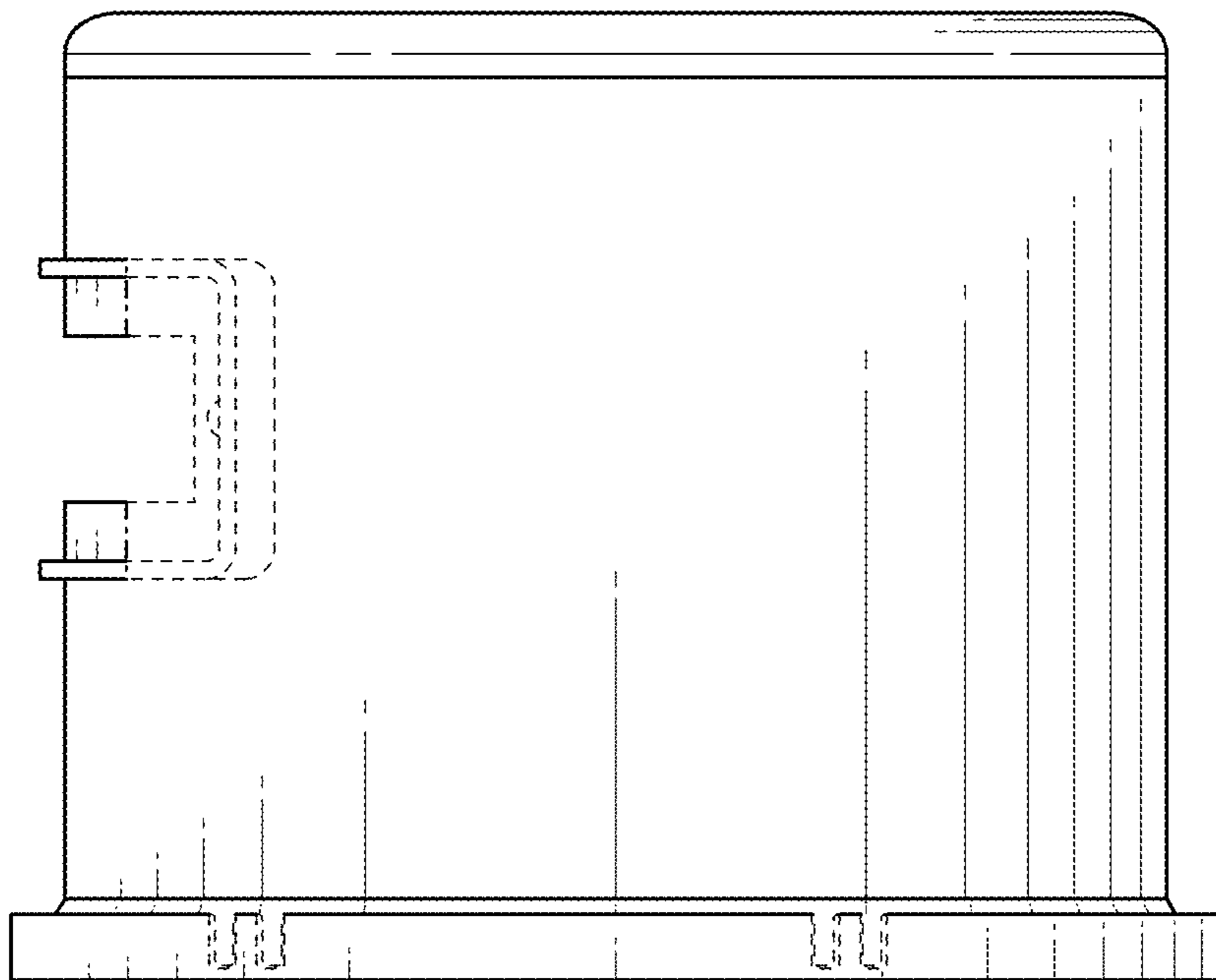


FIG. 7

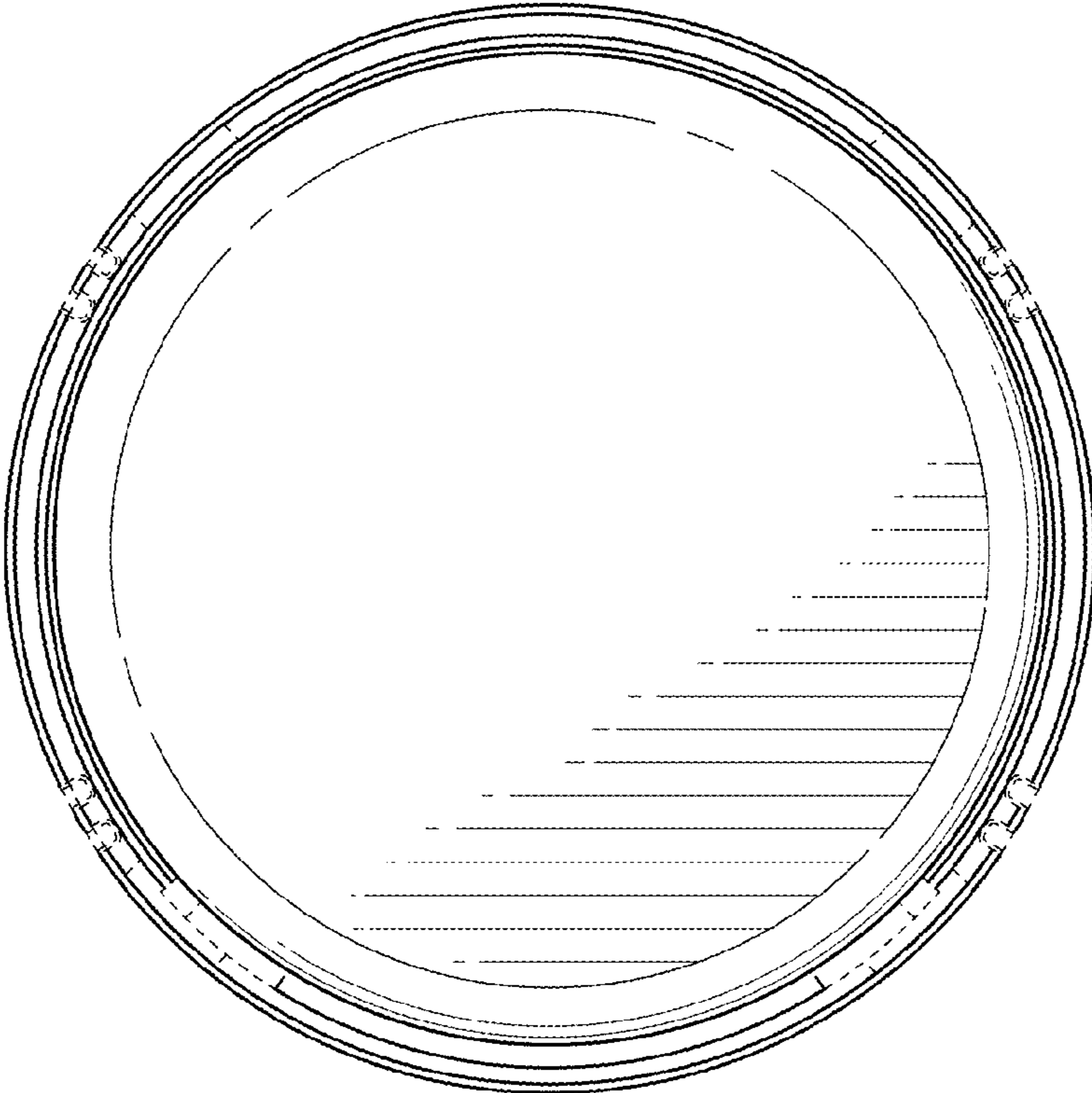


FIG. 8

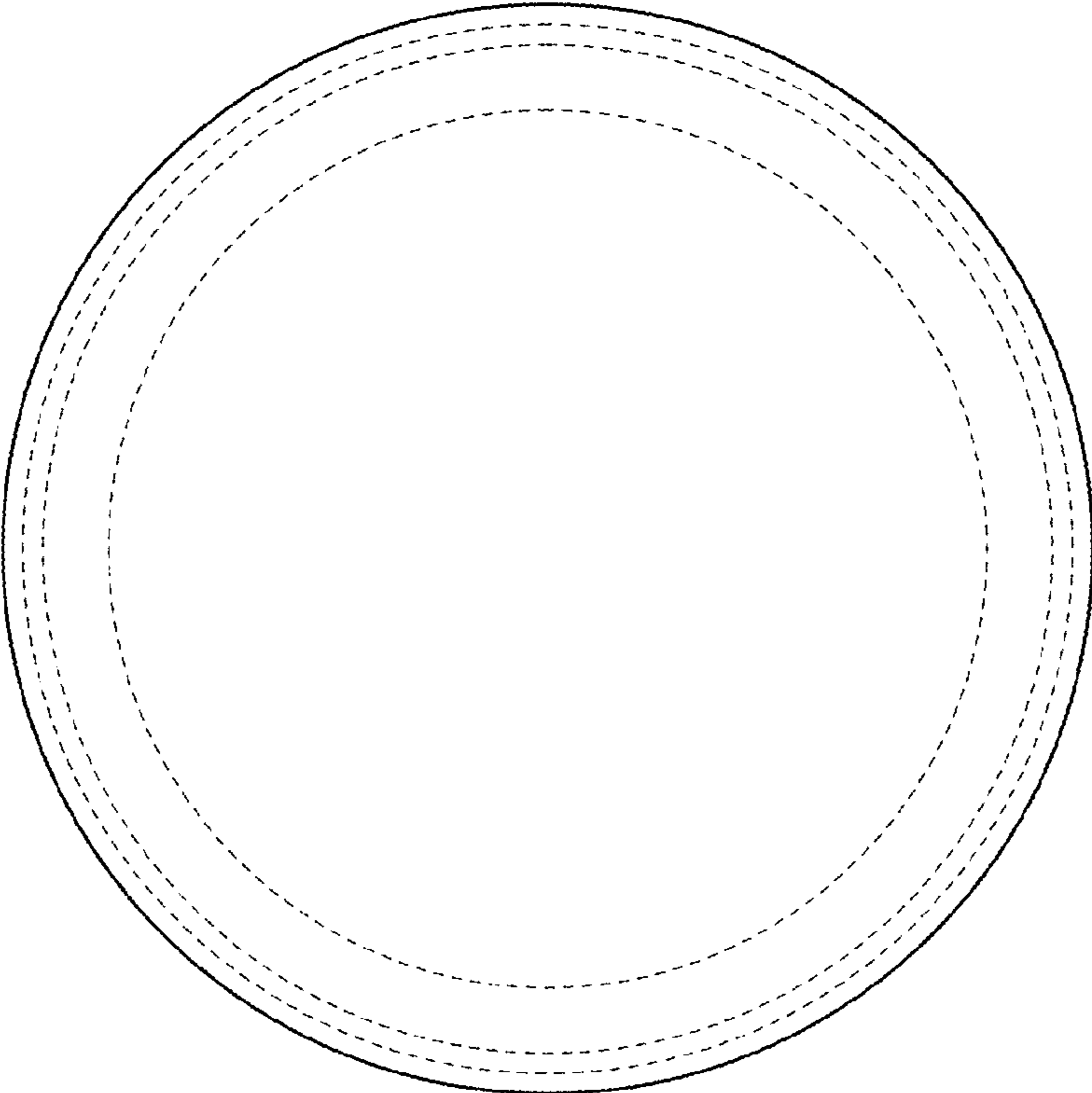


FIG. 9

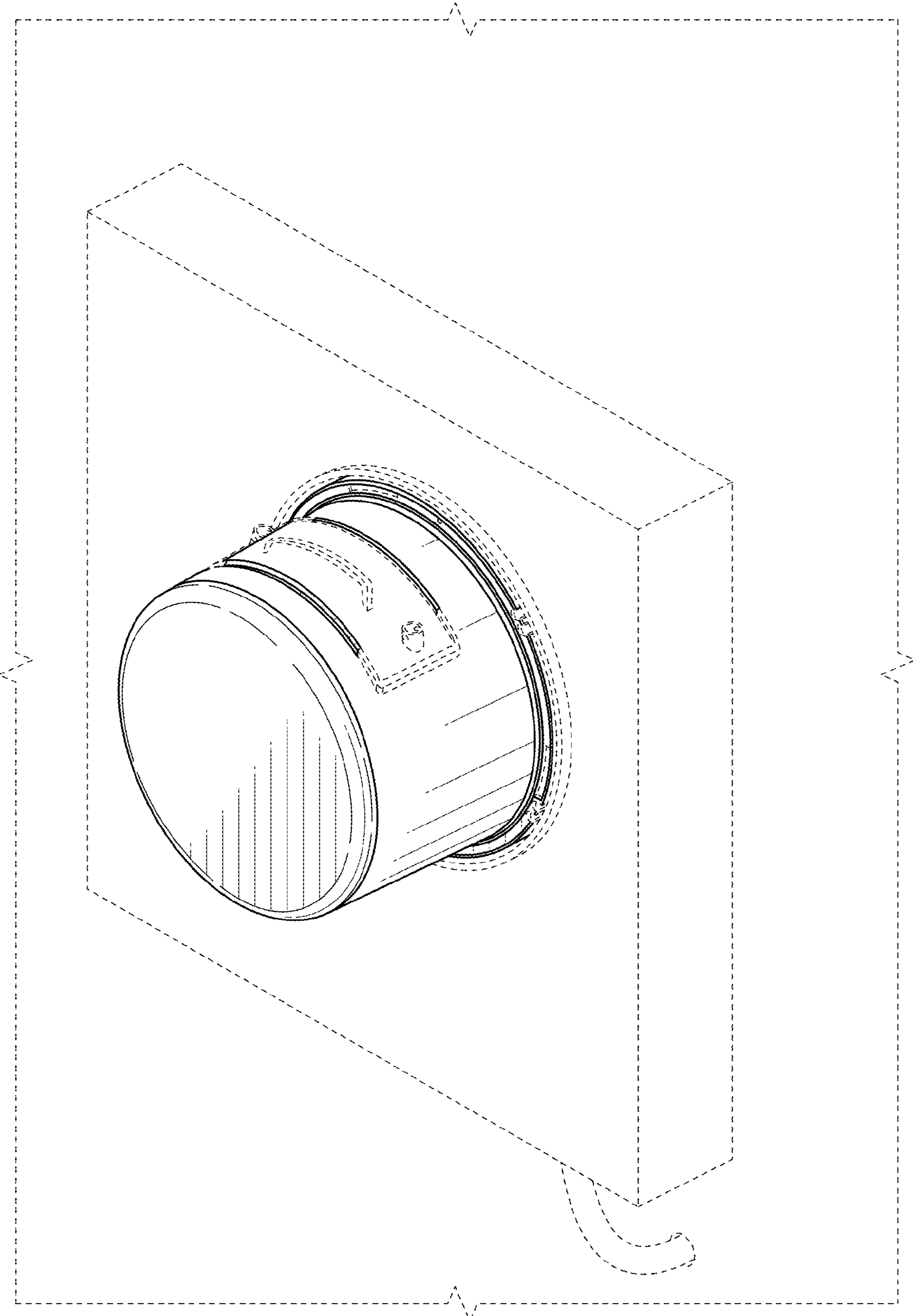


FIG. 10