



US00D876260S

(12) **United States Design Patent**
Ribbich et al.

(10) **Patent No.:** **US D876,260 S**

(45) **Date of Patent:** **** Feb. 25, 2020**

(54) **THERMOSTAT**

G01F 23/2962; G01F 25/0061; G01N 29/06; G01N 29/0609; G01N 29/0618;

(71) Applicant: **Johnson Controls Technology Company**, Auburn Hills, MI (US)

(Continued)

(72) Inventors: **Joseph R. Ribbich**, Waukesha, WI (US); **Julio A. Abdala**, SW Ranches, FL (US); **Juan Guillermo Alvarez**, Weston, FL (US); **Felippe M. Bicudo**, Fort Lauderdale, FL (US); **Vinosh C. Diptee**, Boynton Beach, FL (US); **Patricia Ellis Douglass**, Pompano Beach, FL (US); **Hao A. Nguyen**, Lake Worth, FL (US); **Claudio Santiago Ribeiro**, Evanston, IL (US); **Amit Verma**, Sunrise, FL (US)

(56) **References Cited**

U.S. PATENT DOCUMENTS

D255,013 S 5/1980 O'Brien et al.
D290,818 S 7/1987 Tomozawa et al.
(Continued)

OTHER PUBLICATIONS

QM weather. on Behance, available at <https://www.behance.net/gallery/55044047/QM-weather>, published on Jul. 24, 2017, downloaded on Jan. 1, 2019.

Primary Examiner — Antoine Duval Davis

(74) *Attorney, Agent, or Firm* — Foley & Lardner LLP

(73) Assignee: **Johnson Controls Technology Company**, Auburn Hills, MI (US)

(**) Term: **15 Years**

(57) **CLAIM**

We claim the ornamental design for a thermostat, as shown and described.

(21) Appl. No.: **29/677,806**

(22) Filed: **Jan. 23, 2019**

DESCRIPTION

Related U.S. Application Data

(63) Continuation of application No. 29/617,389, filed on Sep. 13, 2017, now Pat. No. Des. 852,067, which is (Continued)

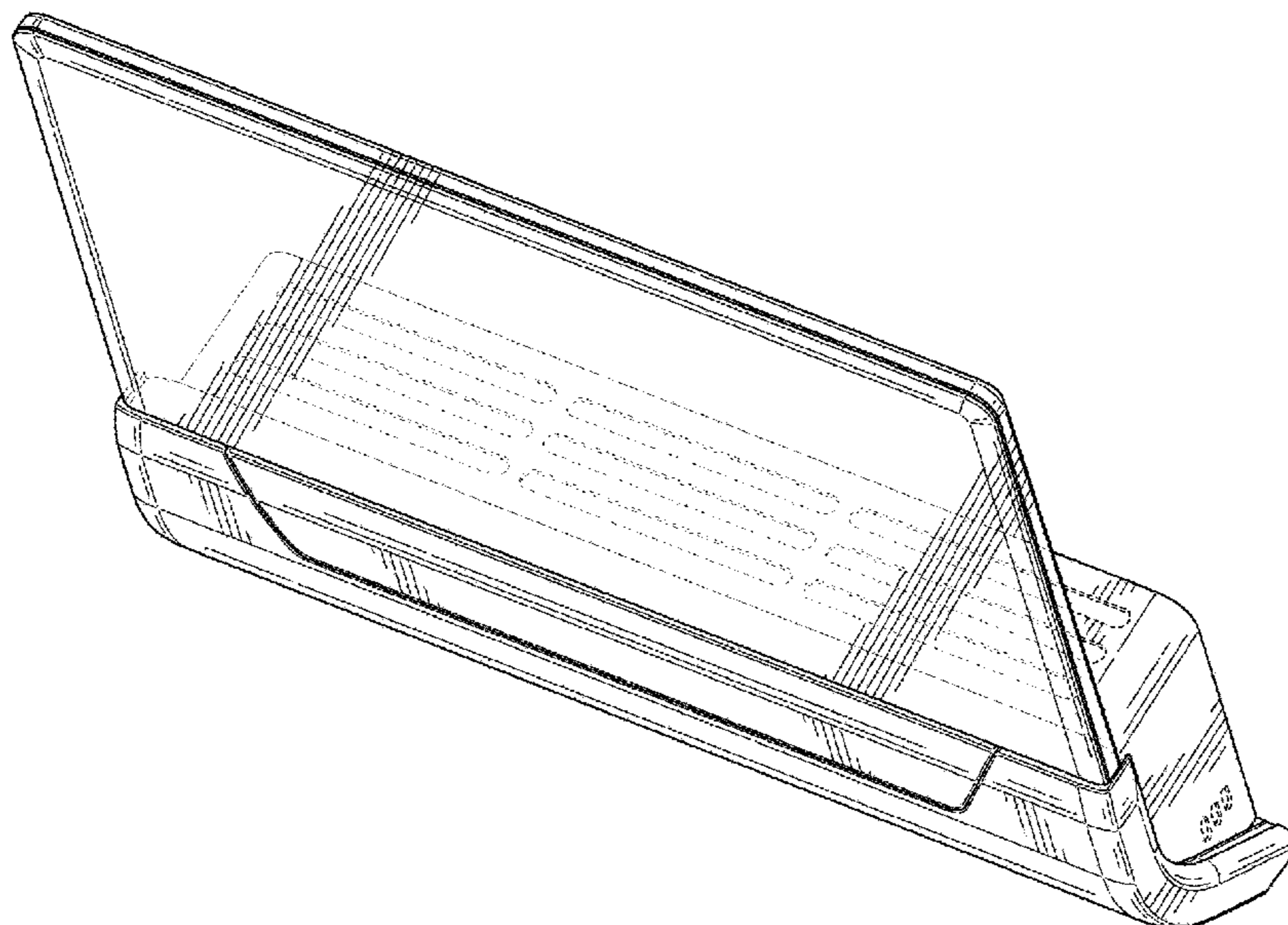
(51) **LOC (12) Cl.** **10-04**

(52) **U.S. Cl.**
USPC **D10/83; D10/102**

(58) **Field of Classification Search**
USPC D10/46, 83, 84, 85, 96, 102
CPC G01H 9/00; G01H 9/002; G01H 9/004; G01H 9/006; G01H 9/008; G01P 15/00; G01P 15/093; G01P 15/15; G01V 1/18; G01V 1/181; E21B 47/00; G01F 23/00; G01F 23/18; G01F 23/28; G01F 23/296;

FIG. 1 is a front perspective view from above of the claimed design for a thermostat;
FIG. 2 is a front perspective view from below of the claimed design of FIG. 1;
FIG. 3 is a front side view of the claimed design of FIG. 1;
FIG. 4 is a rear side view of the claimed design of FIG. 1;
FIG. 5 is a right side view of the claimed design of FIG. 1;
FIG. 6 is a left side view of the claimed design of FIG. 1;
FIG. 7 is a top view of the claimed design of FIG. 1; and
FIG. 8 is a bottom view of the claimed design of FIG. 1.
The broken lines in the drawings form no part of the claimed design. Oblique lines represent transparent or semi-transparent portions of the claimed design.

1 Claim, 6 Drawing Sheets



Related U.S. Application Data

a continuation of application No. 29/610,694, filed on Jul. 14, 2017, now abandoned, which is a continuation-in-part of application No. 29/563,447, filed on May 4, 2016, now Pat. No. Des. 810,591, which is a continuation-in-part of application No. 29/548,334, filed on Dec. 11, 2015, now Pat. No. Des. 790,369.

(58) **Field of Classification Search**

CPC G01N 29/0627; G01N 29/0636; G01N 29/0645; G01N 29/07; G01N 29/09; G01N 29/11; G01N 29/12; G01N 29/22; G01N 29/221; G01N 29/222; G01N 29/223; G01N 29/225; G01N 29/226; G01N 29/227; G01N 29/228

See application file for complete search history.

(56)

References Cited

U.S. PATENT DOCUMENTS

D506,150 S 6/2005 Backlund et al.
 D506,687 S 6/2005 Takach et al.
 D506,689 S 6/2005 Backlund et al.
 D509,151 S 9/2005 Takach et al.
 D520,386 S 5/2006 Takach et al.
 D520,885 S 5/2006 Takach et al.
 D524,663 S 7/2006 Moore
 D525,154 S 7/2006 Moore
 D525,541 S 7/2006 Barton et al.
 D527,288 S 8/2006 Moore
 D527,658 S 9/2006 Moore
 D530,633 S 10/2006 Moore
 D531,526 S 11/2006 Barton et al.
 D531,527 S 11/2006 Moore
 D531,528 S 11/2006 Moore
 D533,793 S 12/2006 Moore
 D534,088 S 12/2006 Moore
 D534,443 S 1/2007 Moore
 D535,572 S 1/2007 Takach et al.
 D535,573 S 1/2007 Barton et al.
 D536,271 S 2/2007 Moore
 D541,184 S 4/2007 Barton et al.
 D542,677 S 5/2007 Barton et al.
 D551,577 S 9/2007 Barton et al.
 D553,022 S 10/2007 McGuire et al.
 D556,060 S 11/2007 McGuire et al.
 D556,607 S 12/2007 Beland et al.
 D556,608 S 12/2007 Rhodes
 D556,609 S 12/2007 Rhodes
 RE40,190 E 4/2008 Takach et al.
 D578,026 S 10/2008 Roher et al.

D580,801 S 11/2008 Takach et al.
 D582,800 S 12/2008 Comerford et al.
 D582,801 S 12/2008 Comerford et al.
 D582,802 S 12/2008 Branson et al.
 D582,803 S 12/2008 Comerford et al.
 D589,822 S 4/2009 Rhodes
 D590,730 S 4/2009 Simard et al.
 D596,964 S 7/2009 Wang et al.
 D610,027 S 2/2010 Li et al.
 D621,897 S 8/2010 Churchill et al.
 D646,990 S 10/2011 Rhodes
 D655,210 S 3/2012 Narayanamurthy et al.
 D659,560 S 5/2012 Rhodes
 D662,837 S 7/2012 Morrow
 D662,838 S 7/2012 Morrow
 D662,839 S 7/2012 Morrow
 D662,840 S 7/2012 Morrow
 D663,224 S 7/2012 Morrow
 D666,508 S 9/2012 Beland et al.
 D666,509 S 9/2012 Beland et al.
 D666,510 S 9/2012 Beland et al.
 D667,740 S 9/2012 Leung
 D672,666 S 12/2012 Rhodes et al.
 D678,084 S 3/2013 Beland et al.
 D688,955 S 9/2013 Deligiannis et al.
 D699,130 S 2/2014 Rhodes et al.
 D705,095 S 5/2014 Steinberg et al.
 D715,165 S 10/2014 Deligiannis et al.
 D715,166 S 10/2014 Rhodes
 D720,633 S 1/2015 Novotny et al.
 D725,524 S 3/2015 Takach et al.
 D737,153 S 8/2015 Lombard et al.
 D750,980 S 3/2016 Takach et al.
 D790,369 S 6/2017 Sinha et al.
 D795,716 S 8/2017 Aburatani
 D805,414 S * 12/2017 Pennebaker, III D10/83
 D810,591 S 2/2018 Ribbich et al.
 9,890,971 B2 2/2018 Ribbich et al.
 9,964,328 B2 5/2018 Ribbich et al.
 D821,897 S 7/2018 Sinha et al.
 D826,756 S * 8/2018 Huang D10/86
 10,162,327 B2 12/2018 Sinha et al.
 2016/0327298 A1 11/2016 Sinha et al.
 2016/0327299 A1 11/2016 Ribbich et al.
 2016/0327301 A1 11/2016 Ribbich et al.
 2016/0327921 A1 11/2016 Ribbich et al.
 2017/0122613 A1 5/2017 Sinha et al.
 2017/0122617 A1 5/2017 Sinha et al.
 2017/0123391 A1 5/2017 Sinha et al.
 2017/0124838 A1 5/2017 Sinha et al.
 2017/0124842 A1 5/2017 Sinha et al.
 2017/0234562 A1 8/2017 Ribbich et al.

* cited by examiner

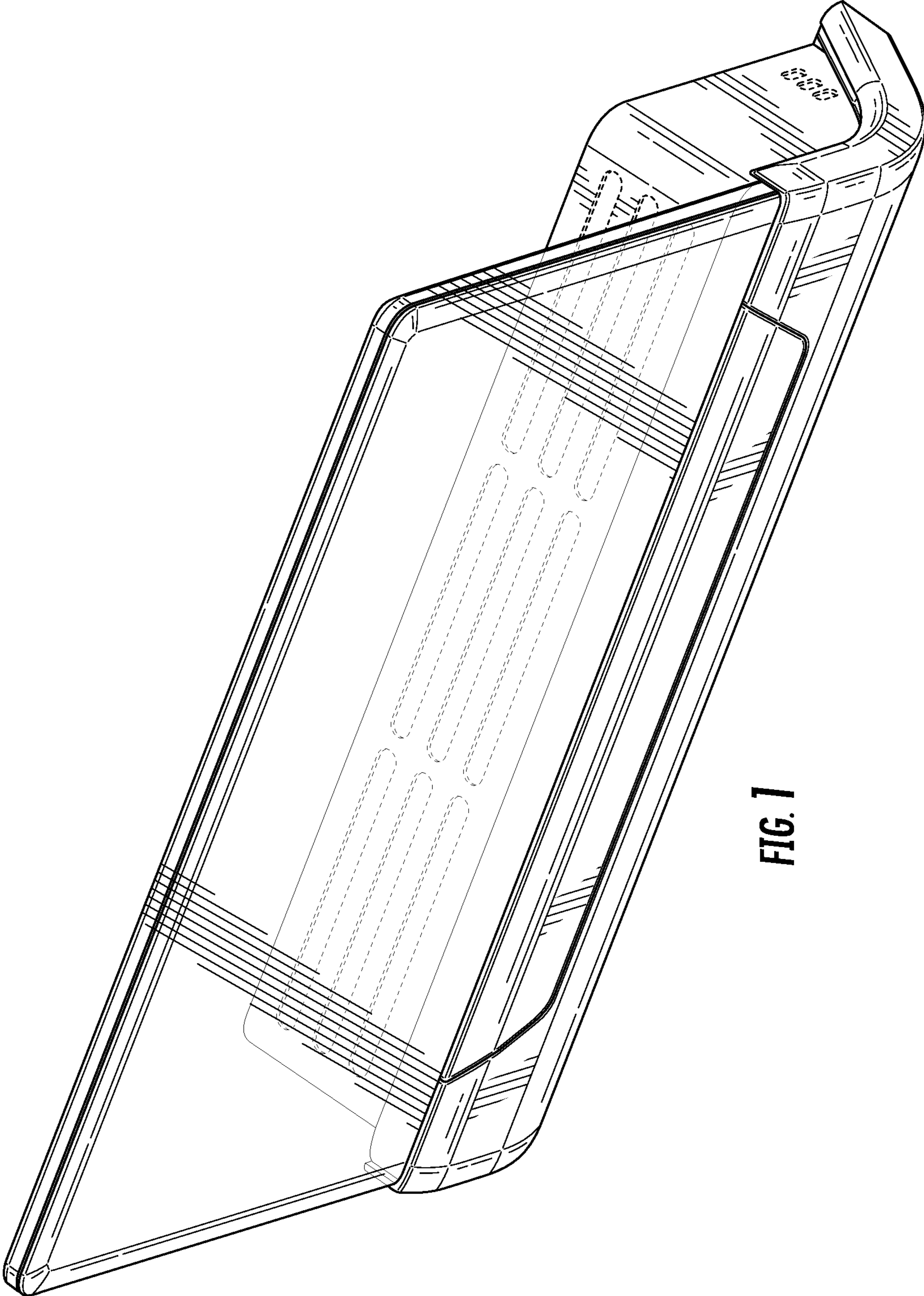


FIG. 1

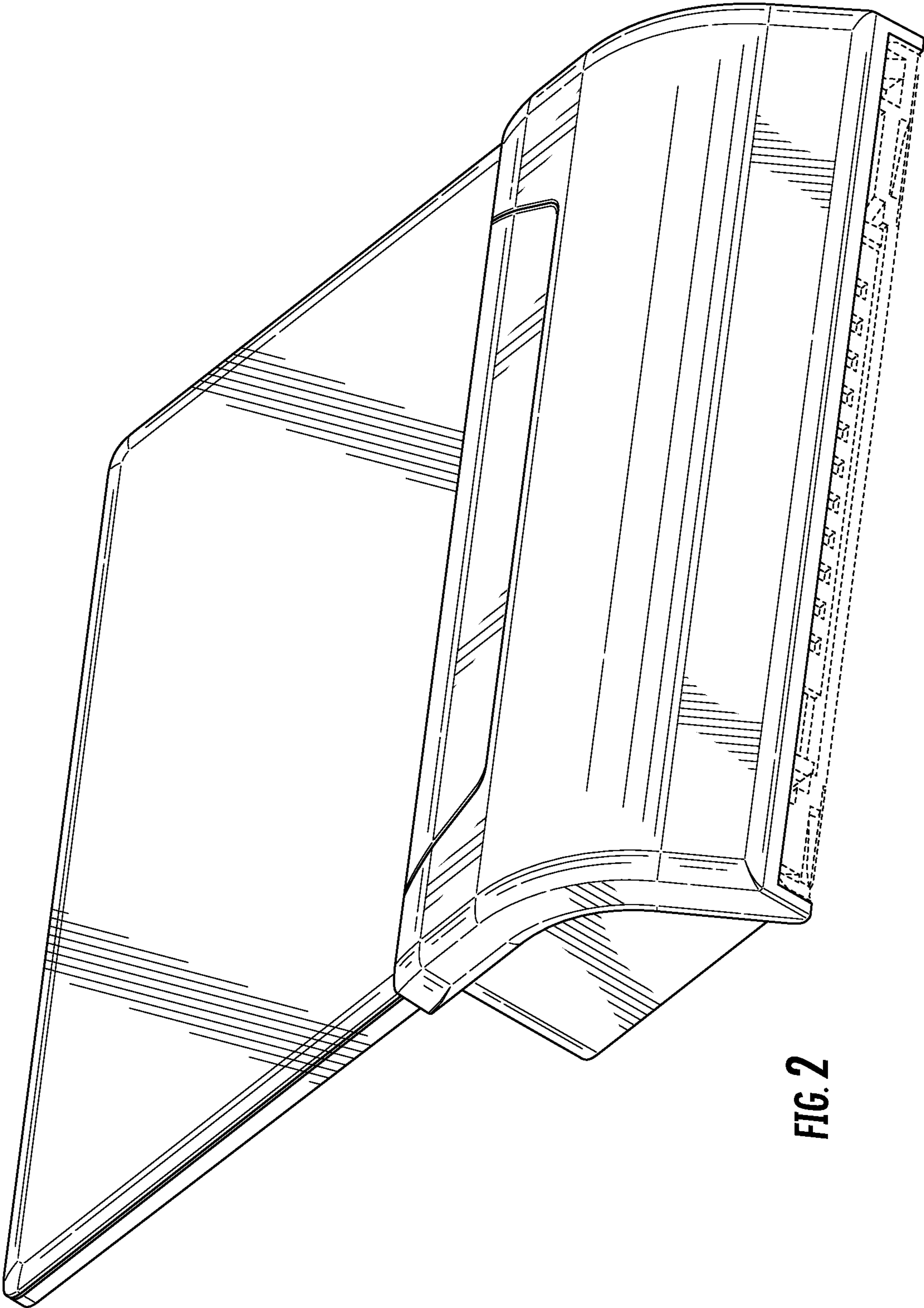


FIG. 2

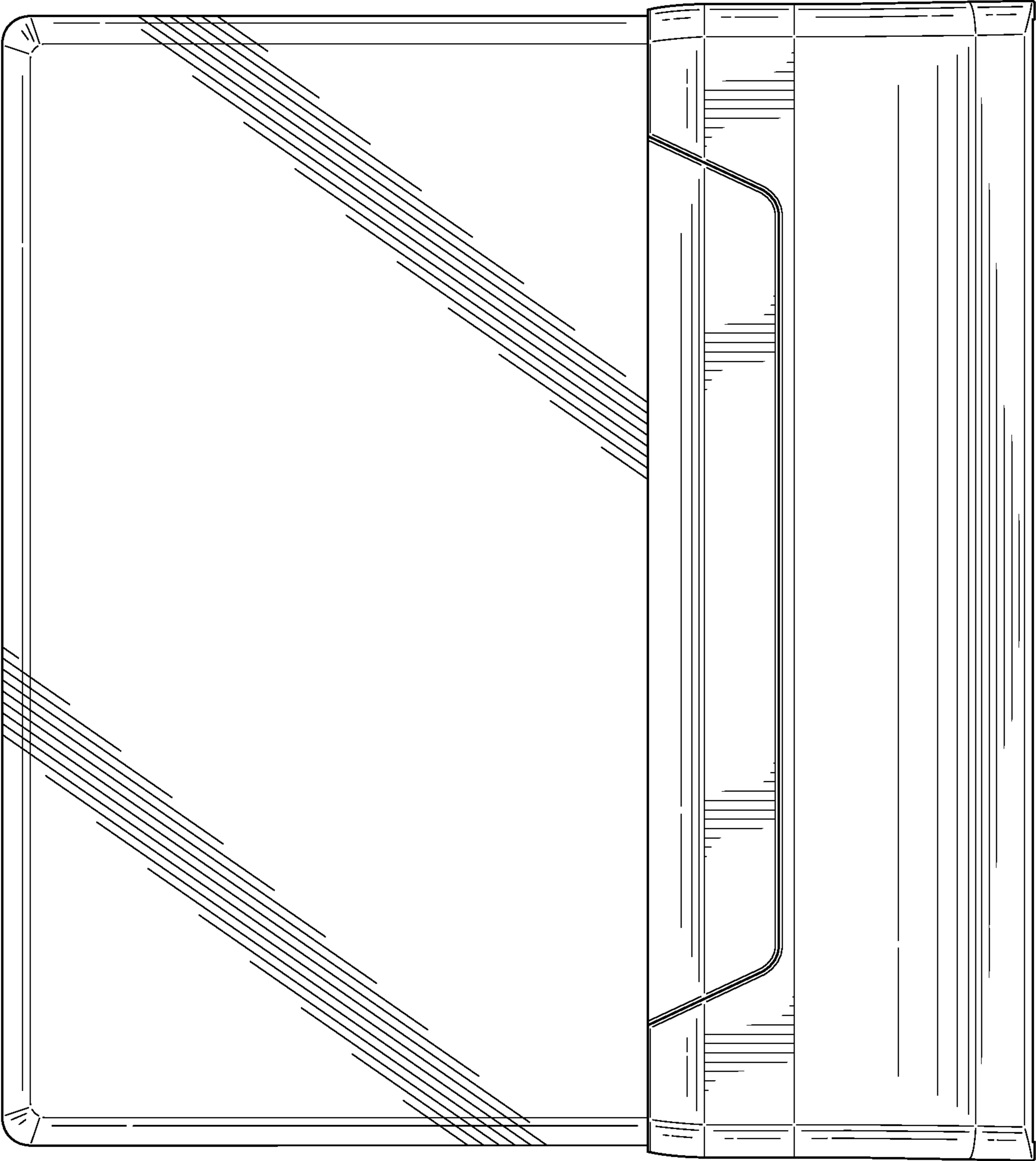


FIG. 3

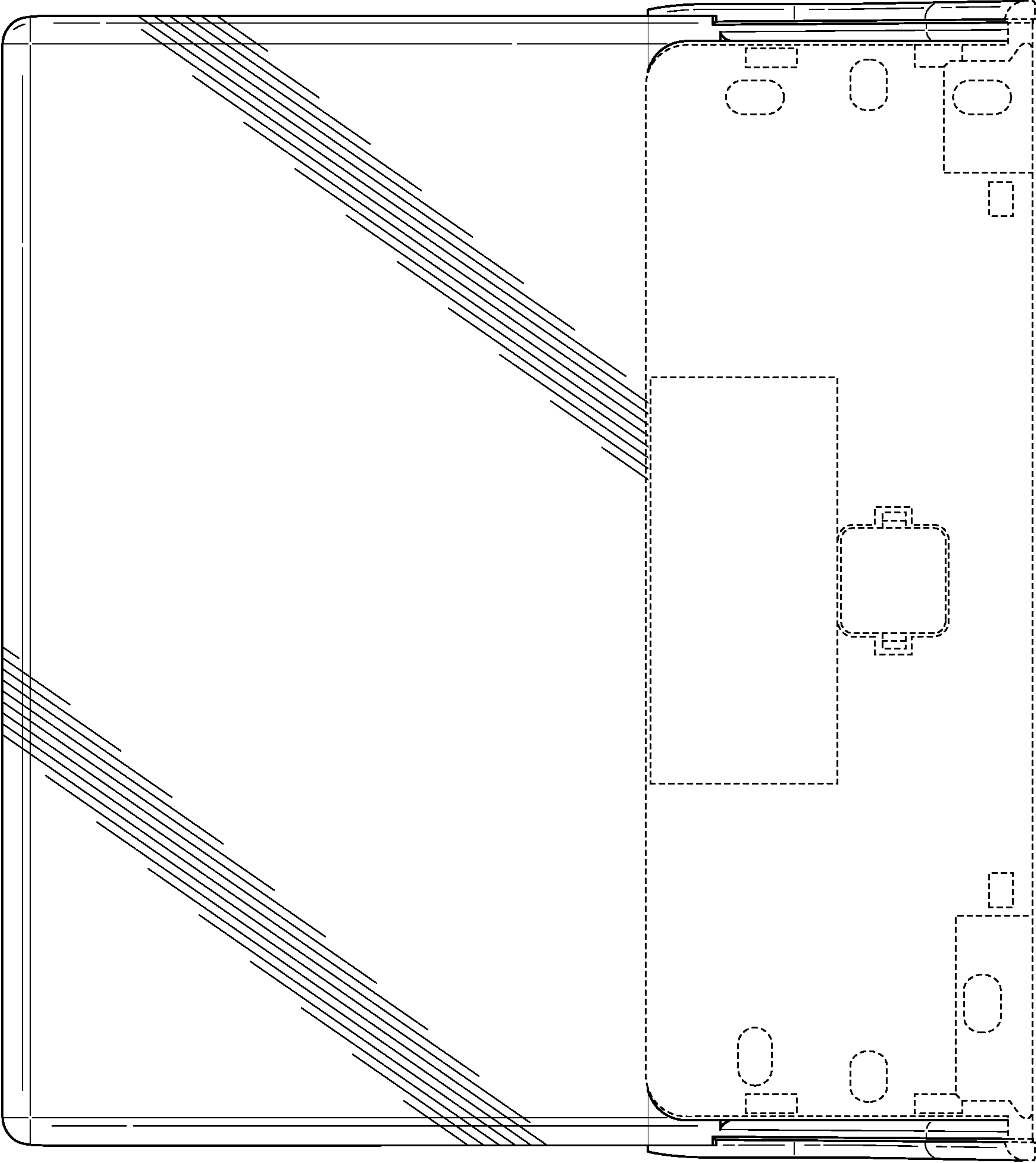


FIG. 4

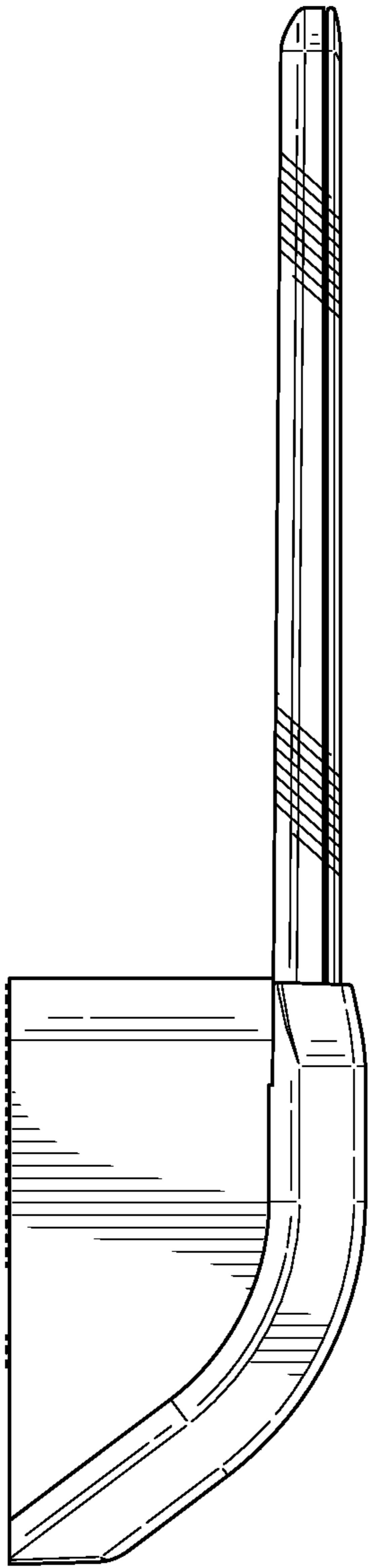


FIG. 5

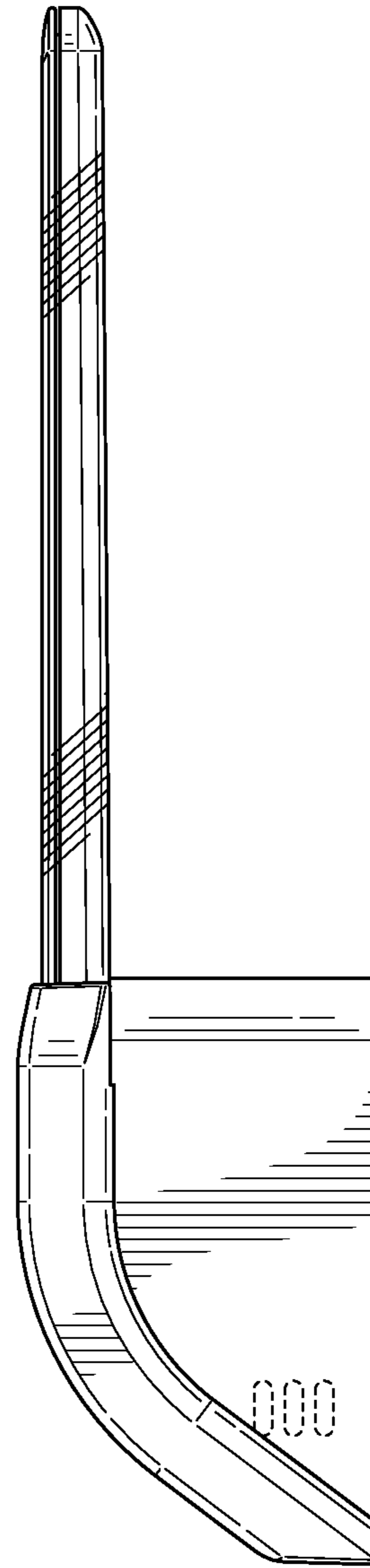


FIG. 6

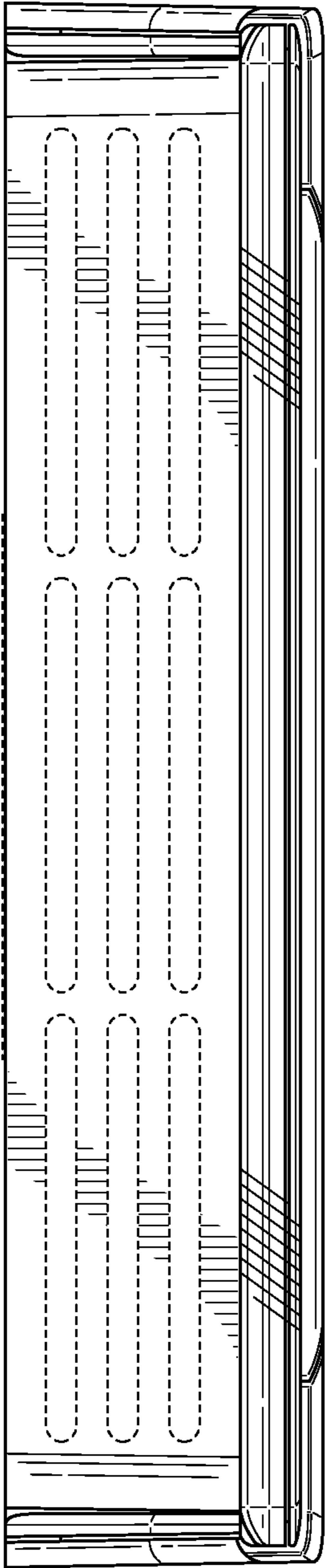


FIG. 7

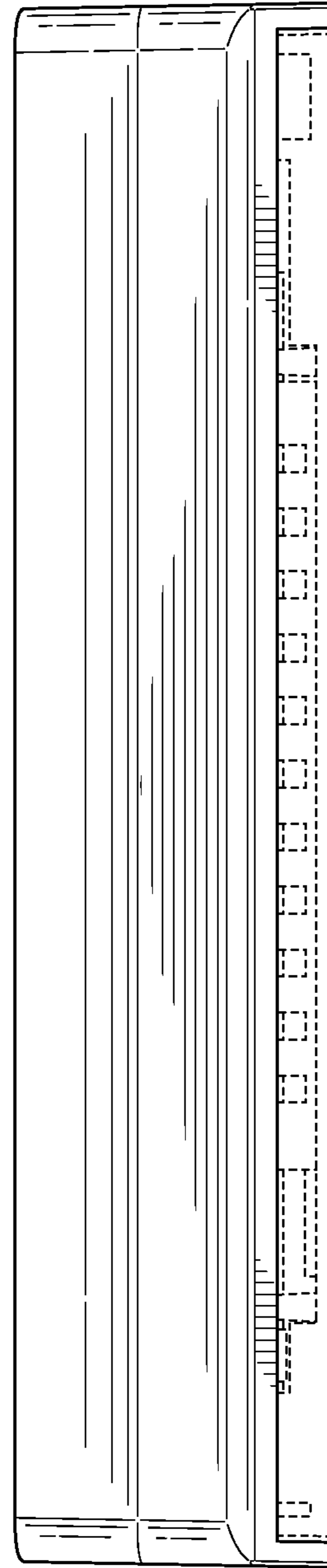


FIG. 8