



US00D876255S

(12) **United States Design Patent**  
**Möller**

(10) **Patent No.:** **US D876,255 S**  
(45) **Date of Patent:** **\*\* Feb. 25, 2020**

(54) **MOVEMENT SENSOR**

(71) Applicant: **STEINEL GmbH**, Herzebrock-Clarholz (DE)

(72) Inventor: **Thomas Möller**, Herzebrock-Clarholz (DE)

(73) Assignee: **STEINEL GmbH**, Herzebrock-Clarholz (DE)

(\*\*) Term: **15 Years**

(21) Appl. No.: **29/663,441**

(22) Filed: **Sep. 14, 2018**

(30) **Foreign Application Priority Data**

Mar. 15, 2018 (EM) ..... 004759371-0002

(51) **LOC (12) Cl.** ..... **10-04**

(52) **U.S. Cl.**  
USPC ..... **D10/70; D10/106.6**

(58) **Field of Classification Search**

USPC ..... D10/70, 106.6

CPC .. G01P 13/00; G01P 13/0006; G01P 13/0013;

G01P 13/002; G01P 13/0026; G01P

13/0033; G01P 13/004; G01P 13/0046;

G01P 13/0053; G01P 13/006; G01P

13/0066; G01P 13/0073; G01P 13/008;

G01P 13/0086; G01P 13/0093; G08B

21/00; G08B 21/02; G08B 21/0202;

G08B 21/0205; G08B 21/0208; G08B

21/0211; G08B 21/0213; G08B 21/0216;

G08B 21/0219; G08B 21/0222; G08B

21/0225; G08B 21/0227; G08B 21/023;

G08B 21/0233; G08B 21/0236; G08B

21/0238; G08B 21/0241; G08B 21/0244;

G08B 21/0247; G08B 21/025; G08B

21/0252; G08B 21/0258; G08B 21/0261;

G08B 21/0263; G08B 21/0266; G08B

21/0269; G08B 21/0272; G08B 21/0275;

G08B 21/0277; G08B 21/028; G08B

21/0283; G08B 21/0286; G08B 21/0288;

G08B 21/0291; G08B 21/0194; G08B  
21/0297; G08B 21/04; G08B 21/0407;  
G08B 21/0415; G08B 21/0423; G08B  
21/043; G08B 21/0438; G08B 21/0446;  
G08B 21/0453; G08B 21/0461; G08B  
21/0469; G08B 21/0476; G08B 21/0484;  
G08B 21/0492; G08B 21/06; G08B  
21/08; G08B 21/082; G08B 21/084;  
G08B 21/086; G08B 21/088; G08B  
21/10; G08B 21/12; G08B 21/14; G08B  
21/16; G08B 21/18; G08B 21/182; G08B  
21/185; G08B 21/187; G08B 21/20;  
G08B 21/22; G08B 21/24;

(Continued)

(56) **References Cited**

U.S. PATENT DOCUMENTS

D693,249 S \* 11/2013 Anderssen ..... D10/65

D733,596 S \* 7/2015 Goodner ..... H04N 5/2251

D10/70

(Continued)

*Primary Examiner* — Antoine Duval Davis

(74) *Attorney, Agent, or Firm* — Snell & Wilmer L.L.P.

(57) **CLAIM**

An ornamental design for a movement sensor, as shown and described.

**DESCRIPTION**

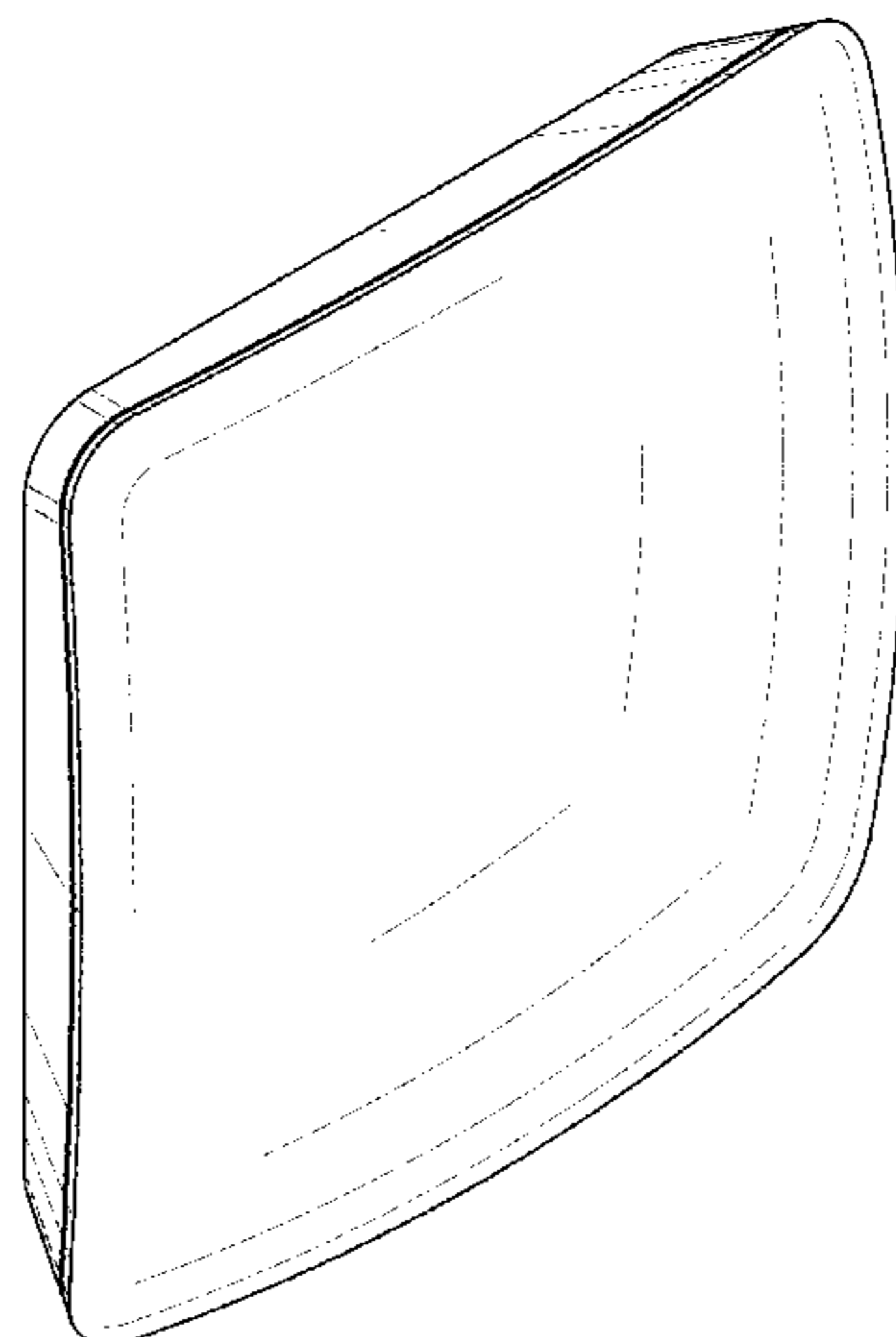
FIG. 1 is a perspective view illustrating the movement sensor showing my new design;

FIG. 2 is a top plan view of the movement sensor shown in FIG. 1;

FIG. 3 is a bottom plan view of the movement sensor shown in FIG. 1; and,

FIG. 4 is a first view of the movement sensor shown in FIG. 1, and the remaining three side views of the movement sensor are identical.

**1 Claim, 4 Drawing Sheets**



(58) **Field of Classification Search**

CPC ..... G08B 21/245; G08B 23/00; G08B 13/00;  
 G08B 13/02; G08B 13/04; G08B 13/06;  
 G08B 13/08; G08B 13/10; G08B 13/12;  
 G08B 13/122; G08B 13/124; G08B  
 13/126; G08B 13/028; G08B 13/14;  
 G08B 13/1409; G08B 13/1418; G08B  
 13/1427; G08B 13/1436; G08B 13/1445;  
 G08B 13/1454; G08B 13/1463; G08B  
 13/1472; G08B 13/1481; G08B 13/149;  
 G08B 13/16; G08B 13/1609; G08B  
 13/1618; G08B 13/1627; G08B 13/1636;  
 G08B 13/1645; G08B 13/1654; G08B  
 13/1663; G08B 13/1672; G08B 13/1681;  
 G08B 13/169; G08B 13/18; G08B  
 13/181; G08B 13/183; G08B 13/184;  
 G08B 13/186; G08B 13/187; G08B  
 13/189; G08B 13/1895; G08B 13/19;  
 G08B 13/191; G08B 13/193; G08B  
 13/194; G08B 13/196; G08B 13/19602;  
 G08B 13/19604; G08B 13/19606; G08B  
 13/19608; G08B 13/1961; G08B  
 13/19613; G08B 13/19615; G08B  
 13/19617; G08B 13/19619; G08B  
 13/19621; G08B 13/19623; G08B  
 13/19626; G08B 13/19628; G08B  
 13/1963; G08B 13/19632; G08B  
 13/19634; G08B 19/19636; G08B  
 13/19639; G08B 13/19641; G08B  
 13/19643; G08B 13/19645; G08B  
 13/19647; G08B 13/1965; G08B  
 13/19652; G08B 13/19654; G08B  
 13/19656; G08B 13/19658; G08B  
 13/1966; G08B 13/19663; G08B  
 13/19665; G08B 13/19667; G08B

13/19669; G08B 13/19671; G08B  
 13/19673; G08B 13/19676; G08B  
 13/19678; G08B 13/1968; G08B  
 13/19682; G08B 13/19684; G08B  
 13/19686; G08B 13/19689; G08B  
 13/19691; G08B 13/19693; G08B  
 13/19695; G08B 13/19697; G08B 13/20;  
 G08B 13/22; G08B 13/24; G08B  
 13/2402; G08B 13/2405; G08B 13/2408;  
 G08B 13/2411; G08B 13/2414; G08B  
 13/2417; G08B 13/242; G08B 13/2422;  
 G08B 13/2425; G08B 13/2428; G08B  
 13/2431; G08B 13/2434; G08B 13/2437;  
 G08B 13/244; G08B 13/2442; G08B  
 13/2445; G08B 13/2448; G08B 13/2451;  
 G08B 13/2454; G08B 13/2457; G08B  
 13/246; G08B 13/2462; G08B 13/2465;  
 G08B 13/2468; G08B 13/2471; G08B  
 13/2474; G08B 13/2477; G08B 13/248;  
 G08B 13/2482; G08B 13/2485; G08B  
 13/2488; G08B 13/2491; G08B 13/2492;  
 G08B 13/2494; G08B 13/2497; G08B  
 13/26

See application file for complete search history.

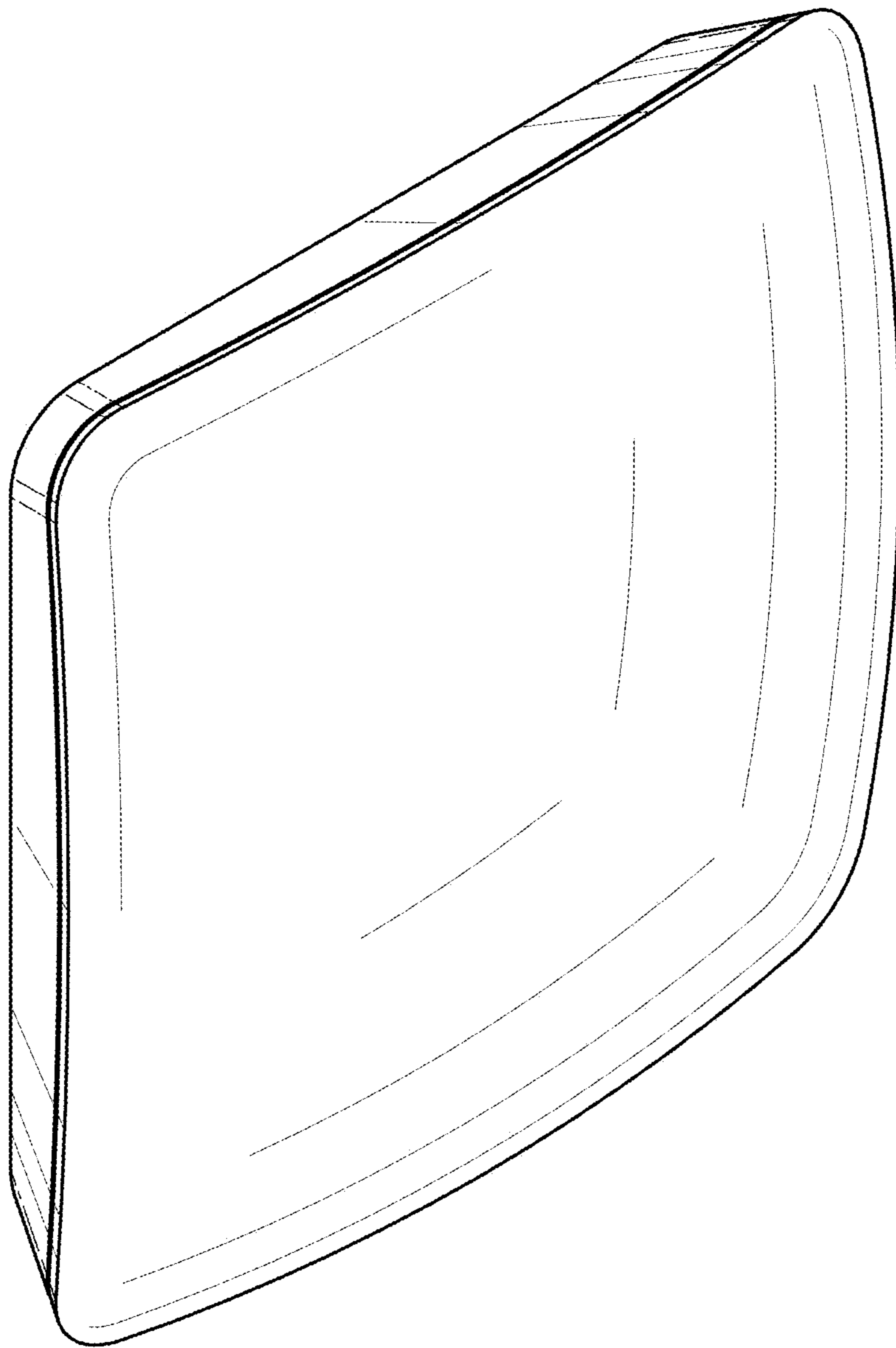
(56)

**References Cited**

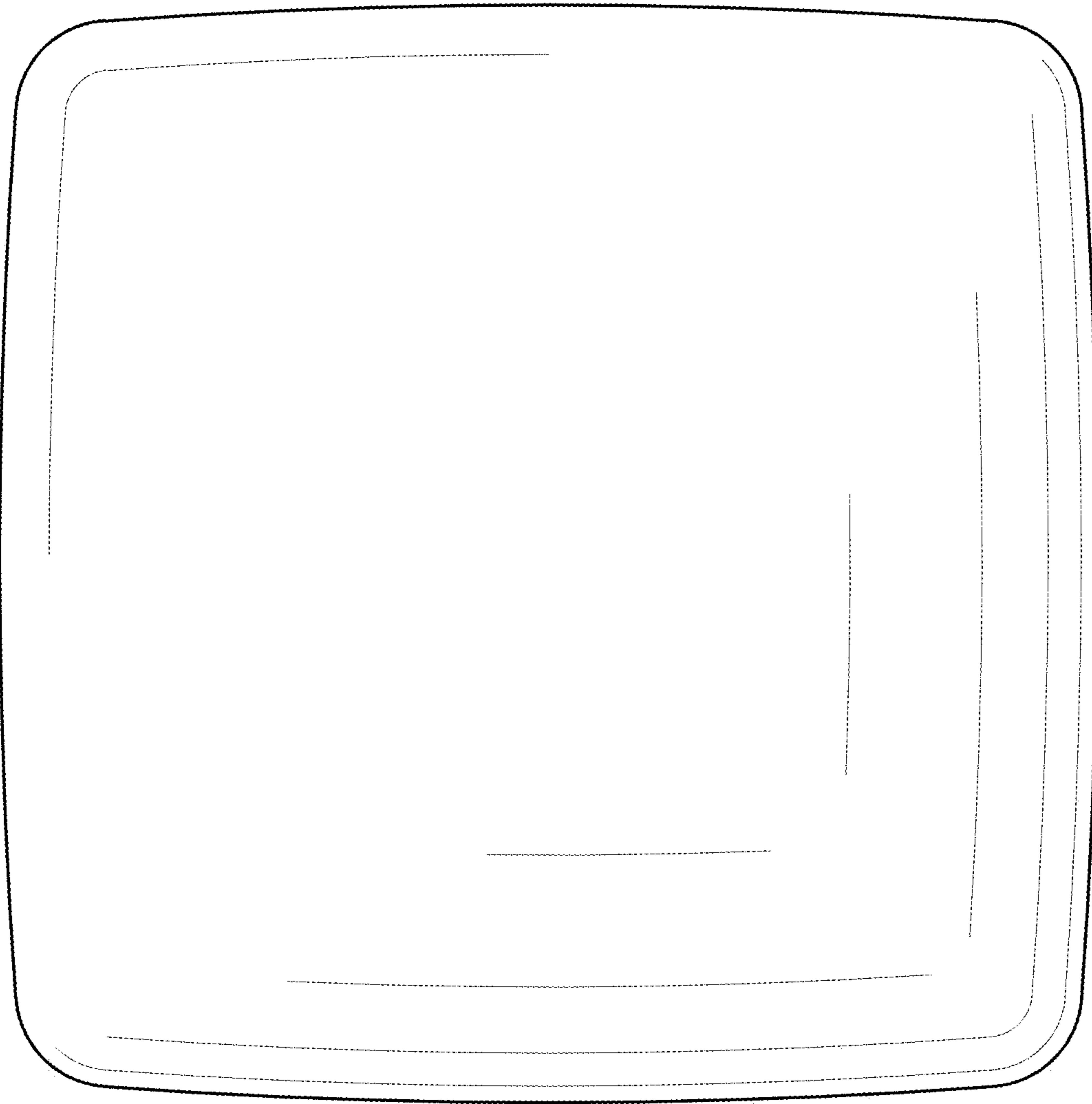
U.S. PATENT DOCUMENTS

D755,875 S \* 5/2016 Geng ..... H04N 5/2251  
 D16/203  
 D842,724 S \* 3/2019 Vandenbussche ..... D10/70  
 D848,293 S \* 5/2019 Laurans ..... D10/70  
 D850,627 S \* 6/2019 Purani ..... D24/186  
 D852,071 S \* 6/2019 Laurans ..... D10/70  
 D852,656 S \* 7/2019 Kazes ..... D10/70

\* cited by examiner

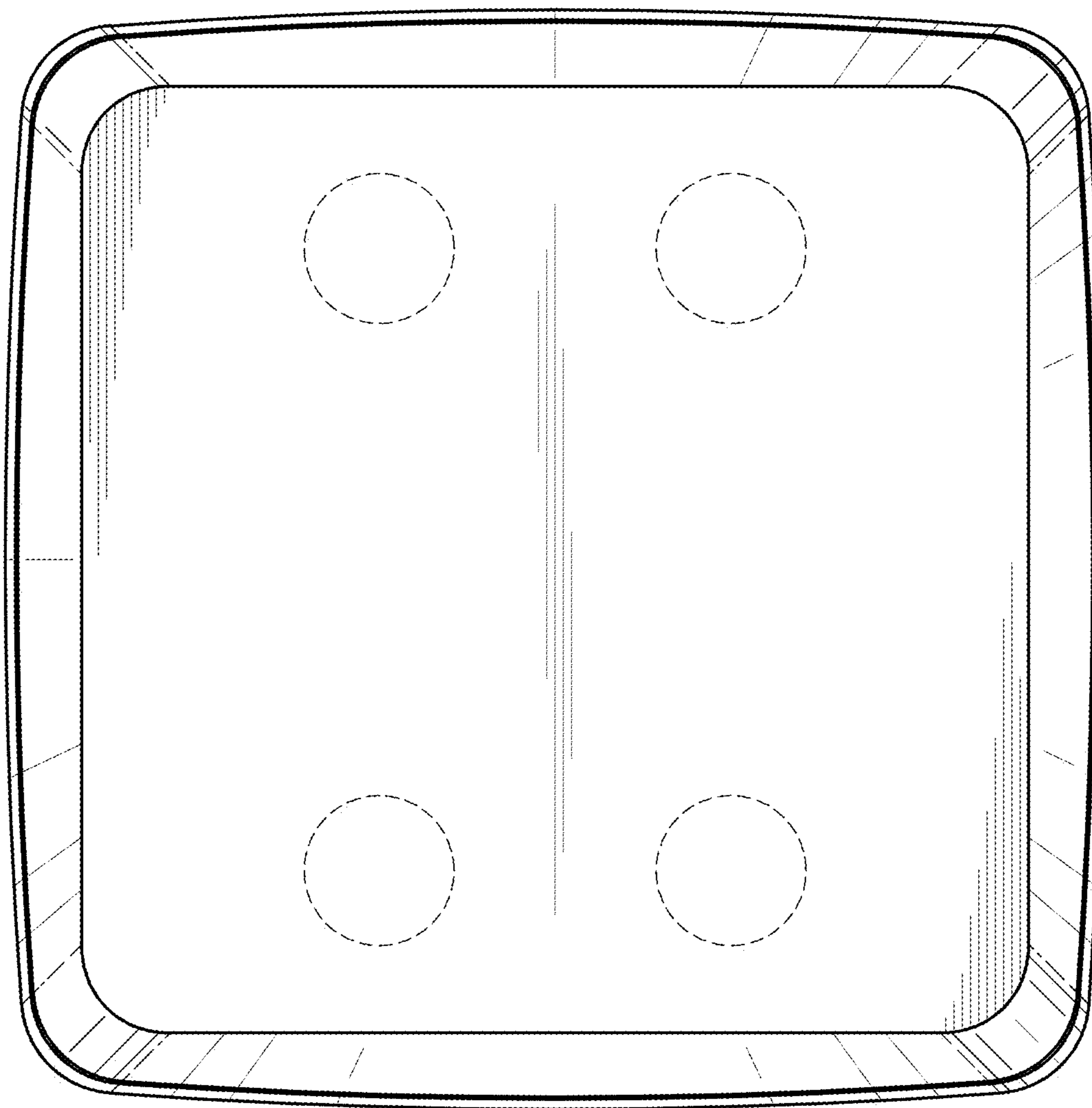


*FIG. 1*

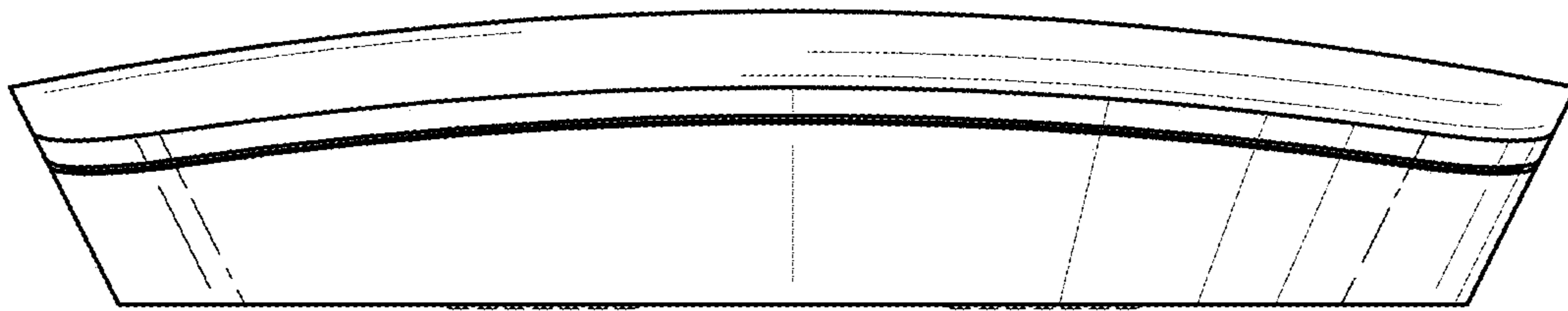


*FIG. 2*





*FIG. 3*



*FIG. 4*