



US00D876253S

(12) **United States Design Patent** (10) **Patent No.:** **US D876,253 S**  
**Fagnot** (45) **Date of Patent:** **\*\* Feb. 25, 2020**

(54) **MOVEMENT SENSOR**

G08B 21/0291; G08B 21/0194; G08B 21/0297; G08B 21/04; G08B 21/0407; G08B 21/0415; G08B 21/0423; G08B (Continued)

(71) Applicant: **ESSITY HYGIENE AND HEALTH AKTIEBOLAG**, Gothenburg (SE)

(72) Inventor: **Benjamin Fagnot**, Malmo (SE)

(56) **References Cited**

(73) Assignee: **ESSITY HYGIENE AND HEALTH AKTIEBOLAG**, Gothenburg (SE)

U.S. PATENT DOCUMENTS

(\*\*) Term: **15 Years**

D482,914 S 12/2003 Prasad  
D614,979 S \* 5/2010 McNames ..... D10/65  
(Continued)

(21) Appl. No.: **29/662,003**

(22) Filed: **Aug. 31, 2018**

OTHER PUBLICATIONS

(30) **Foreign Application Priority Data**

Mar. 1, 2018 (EP) ..... 004732964

“Purell ES8 Wall Mount Hand Sanitizer Dispenser White—Office Depot” available Jul. 26, 2019, [online], [site visited Jul. 26, 2019]. Retrieved from Internet, URL:https://www.officedepot.com/a/products/424622/Purell-ES8-Wall-Mount-Hand-Sanitizer/(Year: 2019).  
(Continued)

(51) **LOC (12) Cl.** ..... **10-04**

(52) **U.S. Cl.**  
USPC ..... **D10/70**

*Primary Examiner* — Antoine Duval Davis  
(74) *Attorney, Agent, or Firm* — Hogan Lovells US LLP

(58) **Field of Classification Search**  
USPC ..... D10/70

CPC .. G01P 13/00; G01P 13/0006; G01P 13/0013; G01P 13/002; G01P 13/0026; G01P 13/0033; G01P 13/004; G01P 13/0046; G01P 13/0053; G01P 13/006; G01P 13/0066; G01P 13/0073; G01P 13/008; G01P 13/0086; G01P 13/0093; G08B 21/00; G08B 21/02; G08B 21/0202; G08B 21/0205; G08B 21/0208; G08B 21/0211; G08B 21/0213; G08B 21/0216; G08B 21/0219; G08B 21/0222; G08B 21/0225; G08B 21/0227; G08B 21/023; G08B 21/0233; G08B 21/0236; G08B 21/0238; G08B 21/0241; G08B 21/0244; G08B 21/0247; G08B 21/025; G08B 21/0252; G08B 21/0258; G08B 21/0261; G08B 21/0263; G08B 21/0266; G08B 21/0269; G08B 21/0272; G08B 21/0275; G08B 21/0277; G08B 21/028; G08B 21/0283; G08B 21/0286; G08B 21/0288;

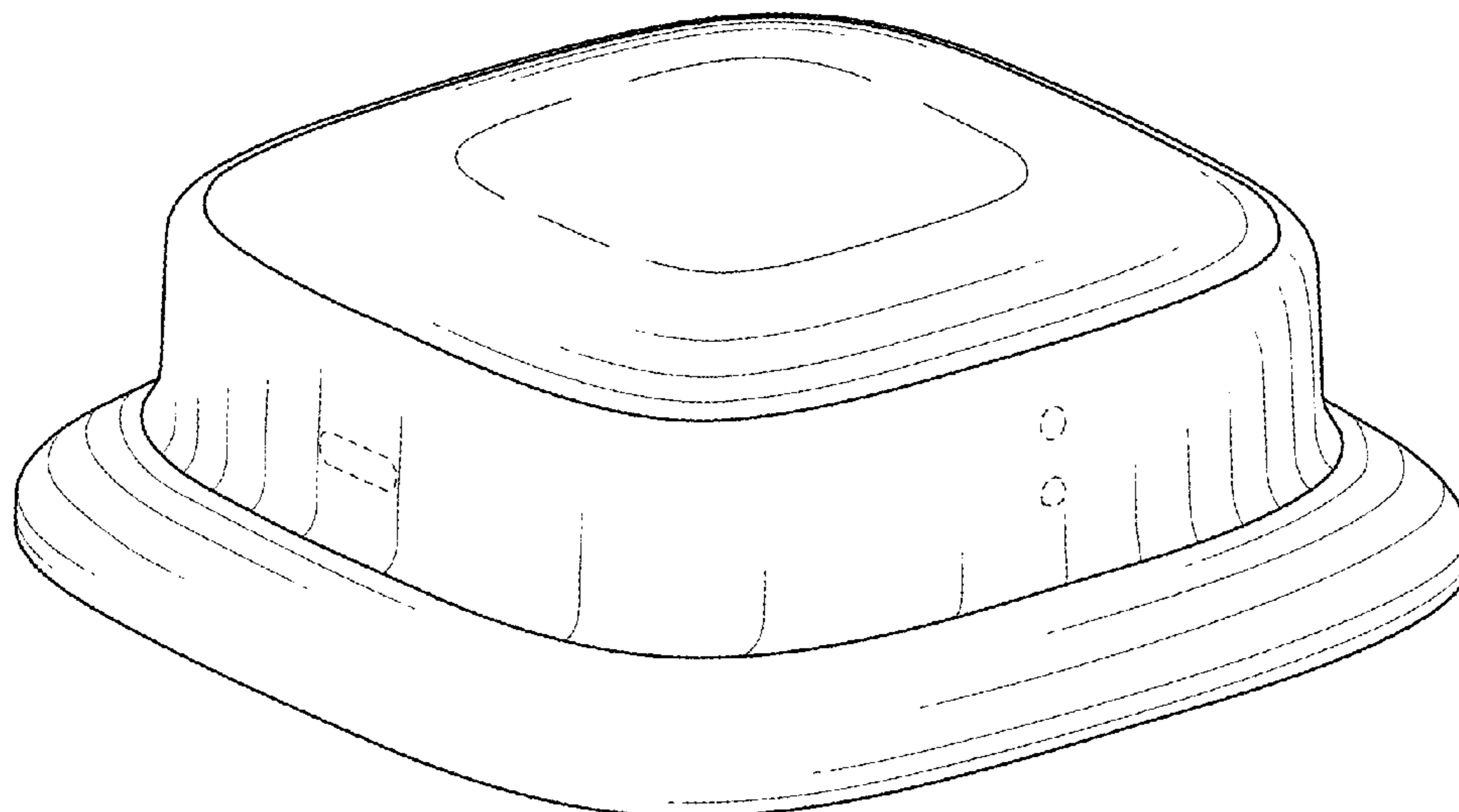
(57) **CLAIM**

The ornamental design for a movement sensor, as shown and described.

**DESCRIPTION**

FIG. 1 is a perspective view thereof;  
FIG. 2 is a back view thereof;  
FIG. 3 is a front view thereof;  
FIG. 4 is a top view thereof;  
FIG. 5 is a bottom view thereof;  
FIG. 6 is a right side view thereof; and,  
FIG. 7 is a left side view thereof.  
The broken lines showing the features and surfaces of the back, top, and left-side of the movement sensor are for illustrative purposes only and form no part of the claimed design.

**1 Claim, 7 Drawing Sheets**



(58) **Field of Classification Search**

CPC ..... 21/043; G08B 21/0438; G08B 21/0446;  
 G08B 21/0453; G08B 21/0461; G08B  
 21/0469; G08B 21/0476; G08B 21/0484;  
 G08B 21/0492; G08B 21/06; G08B  
 21/08; G08B 21/082; G08B 21/084;  
 G08B 21/086; G08B 21/088; G08B  
 21/10; G08B 21/12; G08B 21/14; G08B  
 21/16; G08B 21/18; G08B 21/182; G08B  
 21/185; G08B 21/187; G08B 21/20;  
 G08B 21/22; G08B 21/24; G08B 21/245;  
 G08B 23/00; G08B 13/00; G08B 13/02;  
 G08B 13/04; G08B 13/06; G08B 13/08;  
 G08B 13/10; G08B 13/12; G08B 13/122;  
 G08B 13/124; G08B 13/126; G08B  
 13/028; G08B 13/14; G08B 13/1409;  
 G08B 13/1418; G08B 13/1427; G08B  
 13/1436; G08B 13/1445; G08B 13/1454;  
 G08B 13/1463; G08B 13/1472; G08B  
 13/1481; G08B 13/149; G08B 13/16;  
 G08B 13/1609; G08B 13/1618; G08B  
 13/1627; G08B 13/1636; G08B 13/1645;  
 G08B 13/1654; G08B 13/1663; G08B  
 13/1672; G08B 13/1681; G08B 13/169;  
 G08B 13/18; G08B 13/181; G08B  
 13/183; G08B 13/184; G08B 13/186;  
 G08B 13/187; G08B 13/189; G08B  
 13/1895; G08B 13/19; G08B 13/191;  
 G08B 13/193; G08B 13/194; G08B  
 13/196; G08B 13/19602; G08B 13/19604;  
 G08B 13/19606; G08B 13/19608; G08B  
 13/1961; G08B 13/19613; G08B  
 13/19615; G08B 13/19617; G08B  
 13/19619; G08B 13/19621; G08B  
 13/19623; G08B 13/19626; G08B  
 13/19628; G08B 13/1963; G08B  
 13/19632; G08B 13/19634; G08B  
 13/19636; G08B 13/19639; G08B  
 13/19641; G08B 13/19643; G08B  
 13/19645; G08B 13/19647; G08B  
 13/1965; G08B 13/19652; G08B  
 13/19654; G08B 13/19656; G08B  
 13/19658; G08B 13/1966; G08B  
 13/19663; G08B 13/19665; G08B

13/19667; G08B 13/19669; G08B  
 13/19671; G08B 13/19673; G08B  
 13/19676; G08B 13/19678; G08B  
 13/1968; G08B 13/19682; G08B  
 13/19684; G08B 13/19686; G08B  
 13/19689; G08B 13/19691; G08B  
 13/19693; G08B 13/19695; G08B  
 13/19697; G08B 13/20; G08B 13/22;  
 G08B 13/24; G08B 13/2402; G08B  
 13/2405; G08B 13/2408; G08B 13/2411;  
 G08B 13/2414; G08B 13/2417; G08B  
 13/242; G08B 13/2422; G08B 13/2425;  
 G08B 13/2428; G08B 13/2431; G08B  
 13/2434; G08B 13/2437; G08B 13/244;  
 G08B 13/2442; G08B 13/2445; G08B  
 13/2448; G08B 13/2451; G08B 13/2454;  
 G08B 13/2457; G08B 13/246; G08B  
 13/2462; G08B 13/2465; G08B 13/2468;  
 G08B 13/2471; G08B 13/2474; G08B  
 13/2477; G08B 13/248; G08B 13/2482;  
 G08B 13/2485; G08B 13/2488; G08B  
 13/2491; G08B 13/2494; G08B 13/2497;  
 G08B 13/26

See application file for complete search history.

(56)

**References Cited**

U.S. PATENT DOCUMENTS

D683,634	S	*	6/2013	Hayakawa	.....	D10/46
D693,248	S	*	11/2013	Anderssen	.....	D10/65
D693,249	S	*	11/2013	Anderssen	.....	D10/65
D775,853	S		1/2017	Bing		
D778,185	S	*	2/2017	Ookawa	.....	D10/104.1
D780,473	S		3/2017	Brownley		
D791,074	S		7/2017	Kim		
D846,298	S		4/2019	Harris		
2012/0085780	A1		4/2012	Landauer		
2017/0100001	A1		4/2017	Tojek		

OTHER PUBLICATIONS

Non-Final Office Action, corresponding to U.S. Appl. No. 29/662,006 dated Aug. 7, 2019.

\* cited by examiner

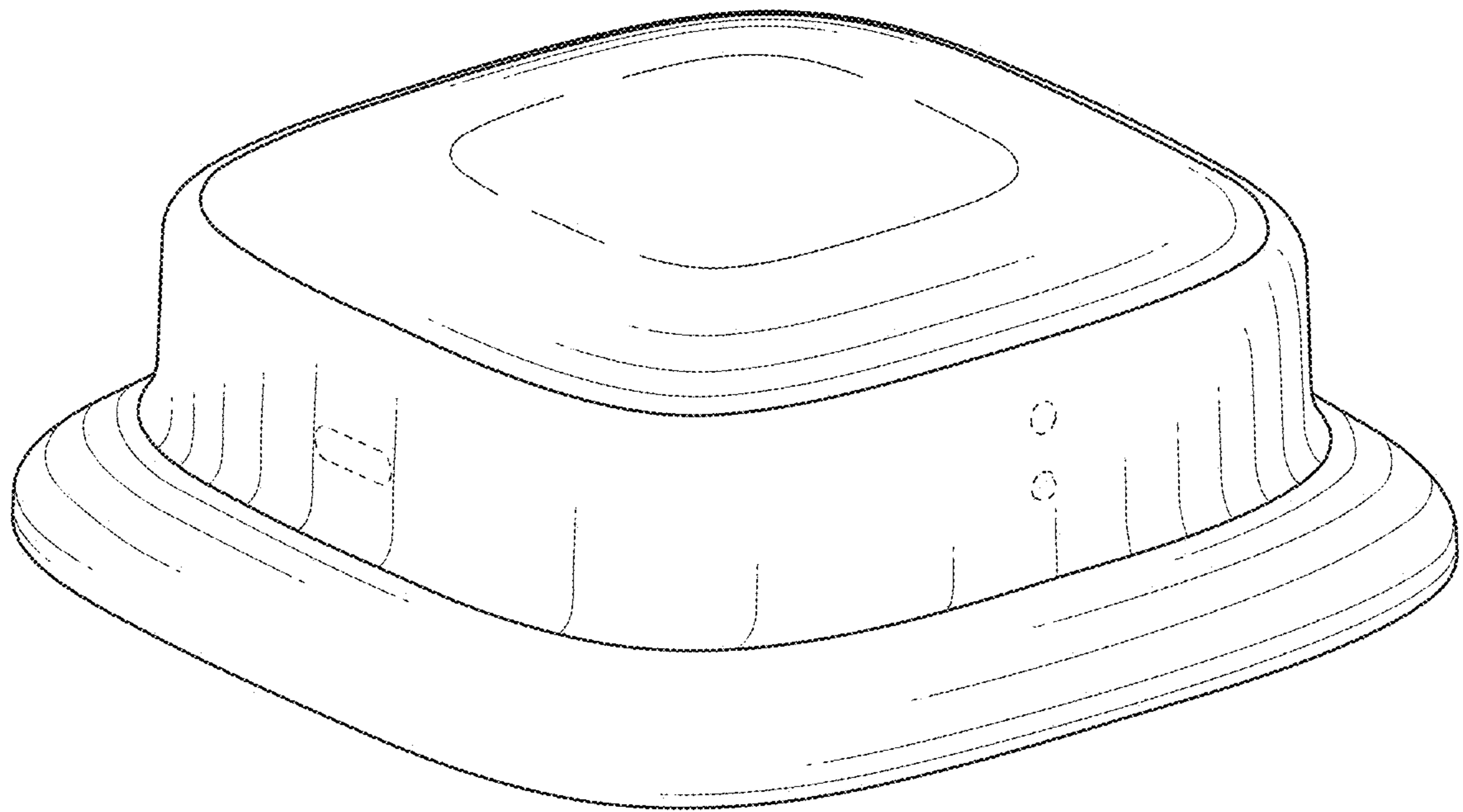


FIG. 1

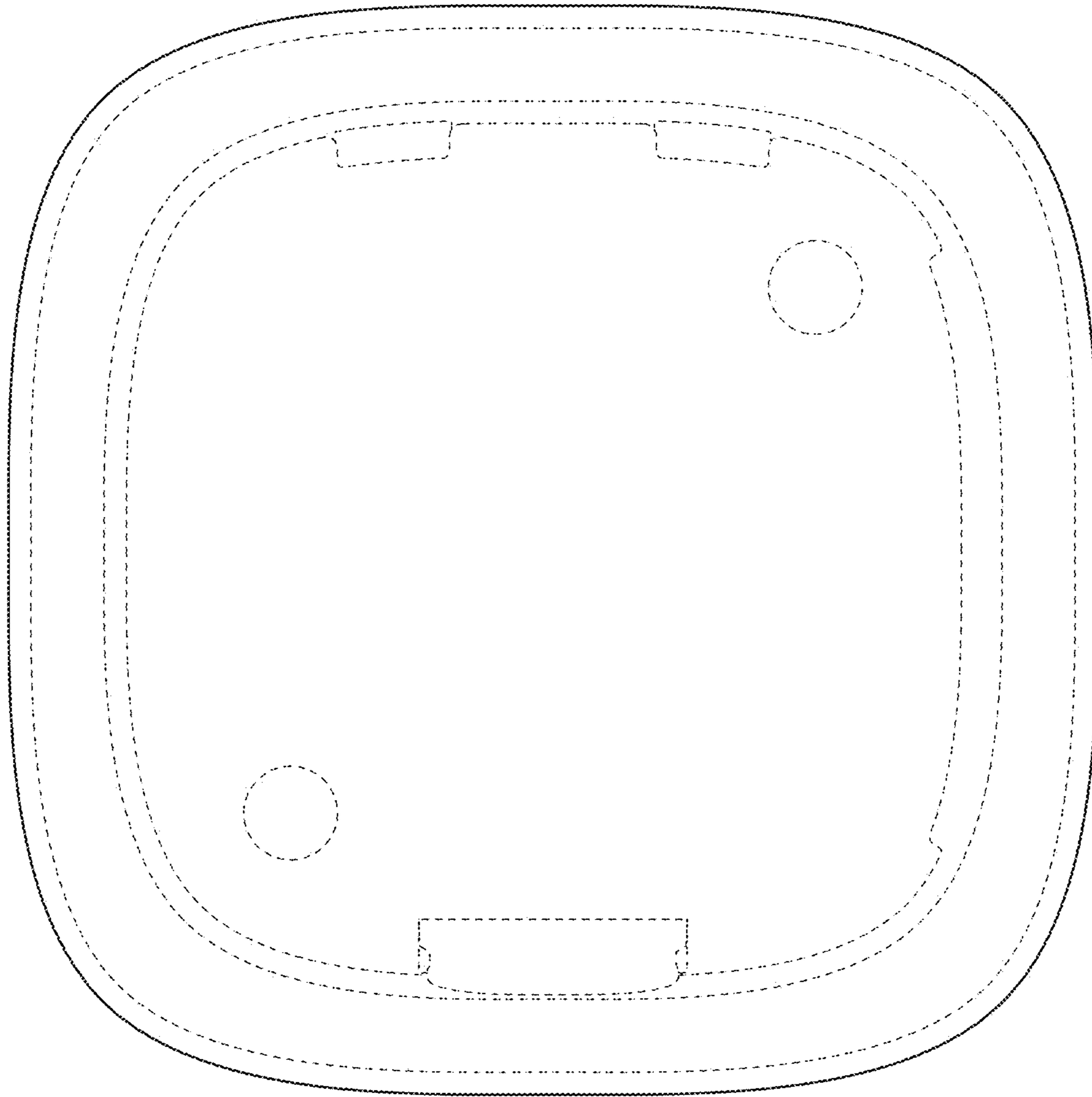


FIG. 2

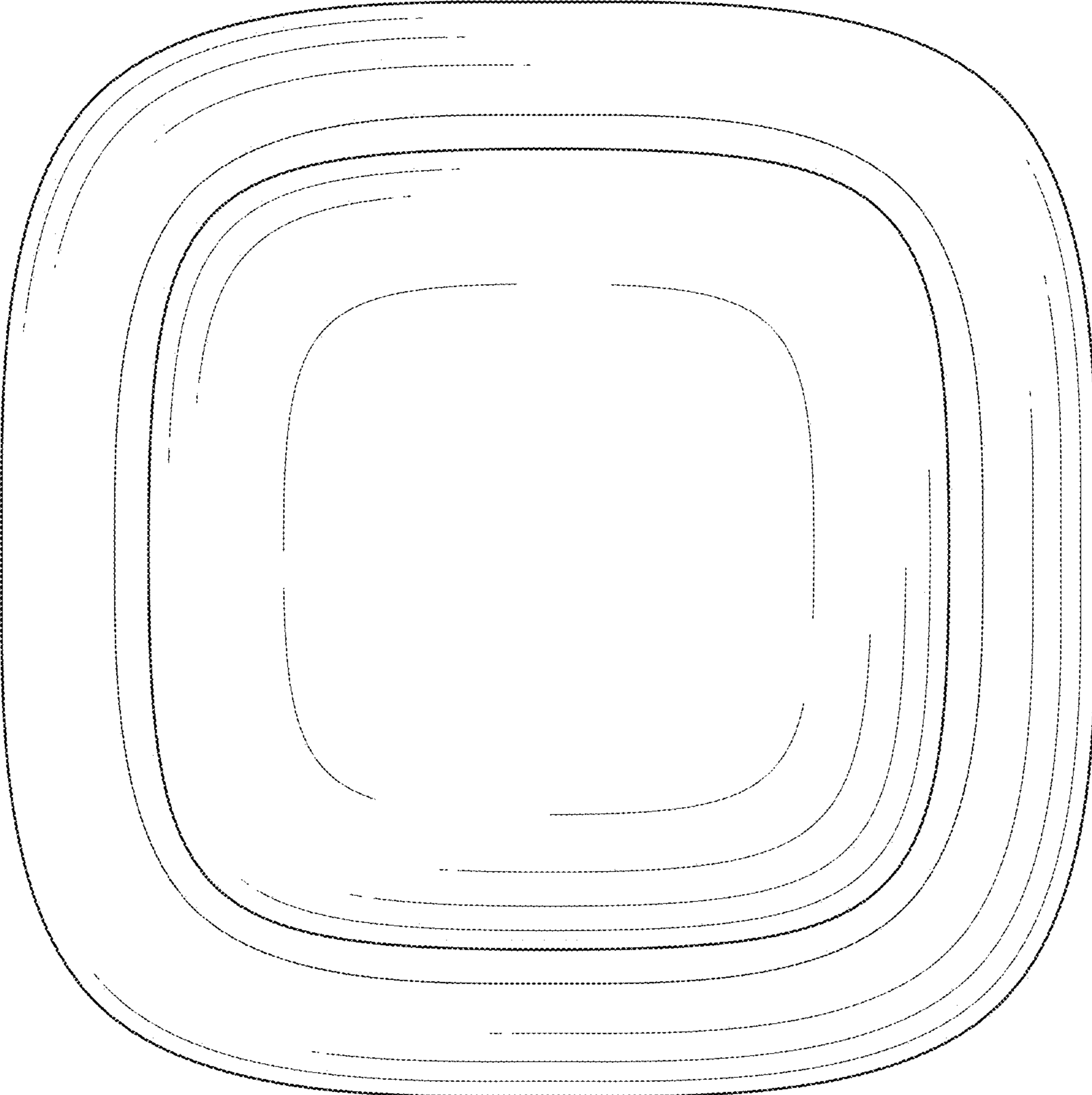


FIG. 3

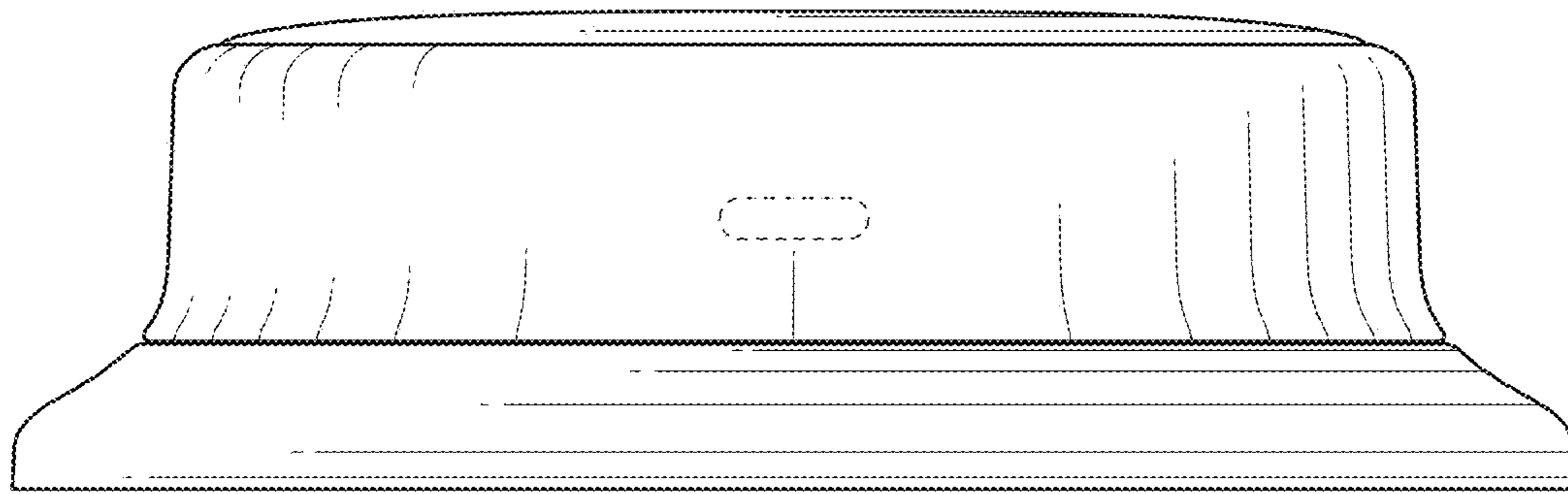


FIG. 4

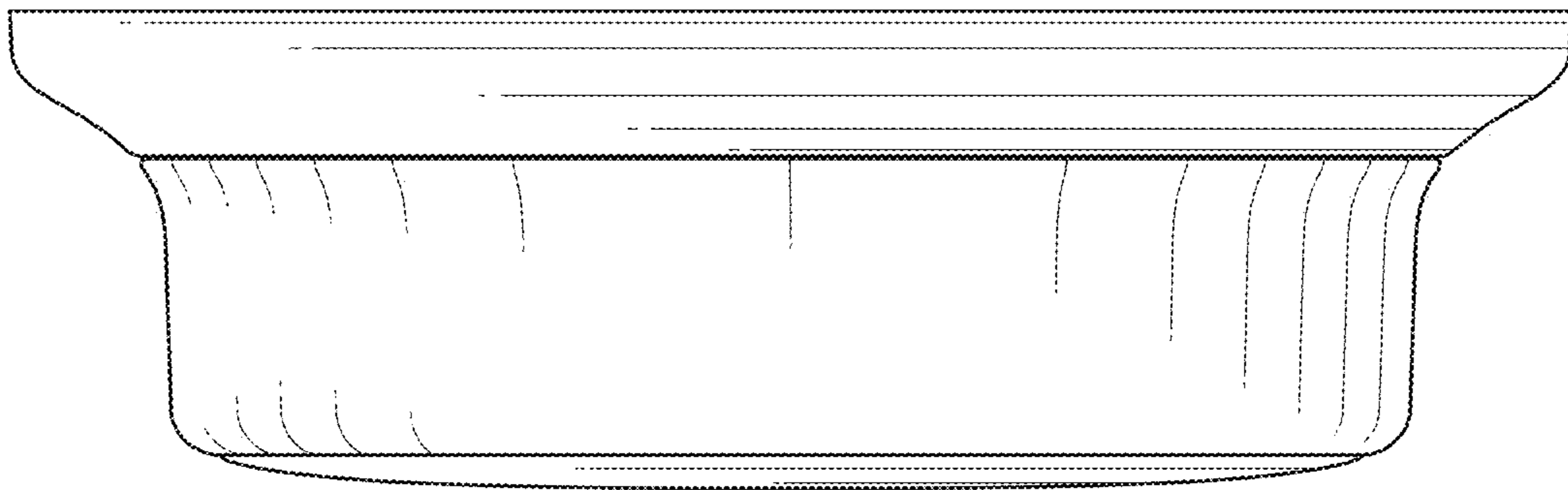


FIG. 5

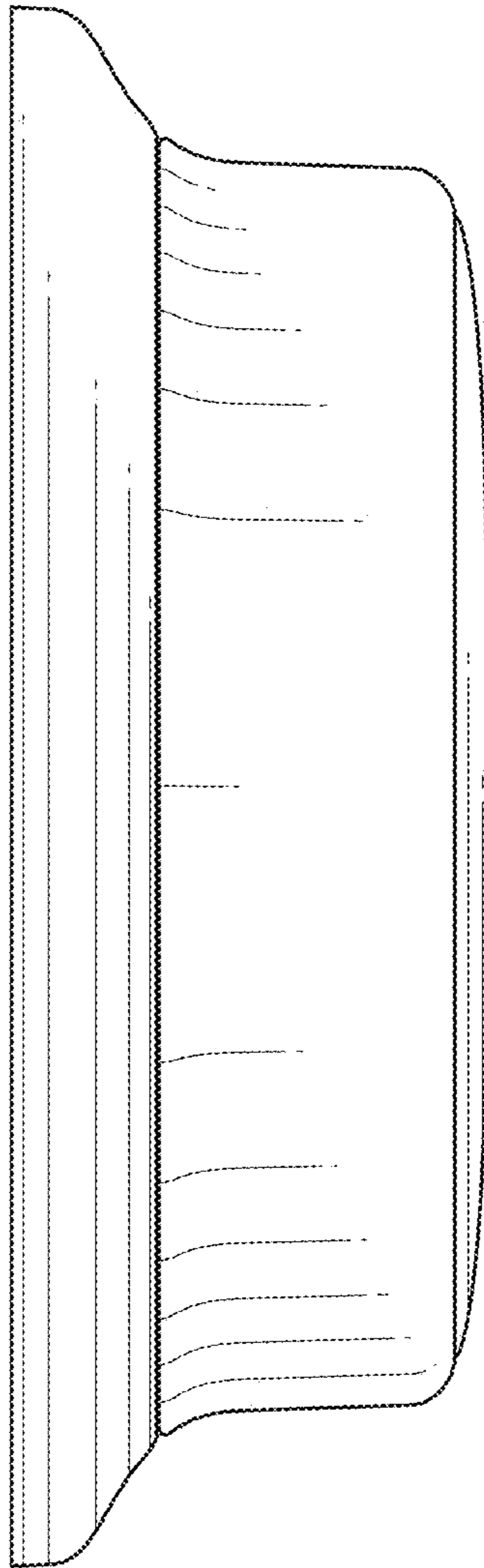


FIG. 6



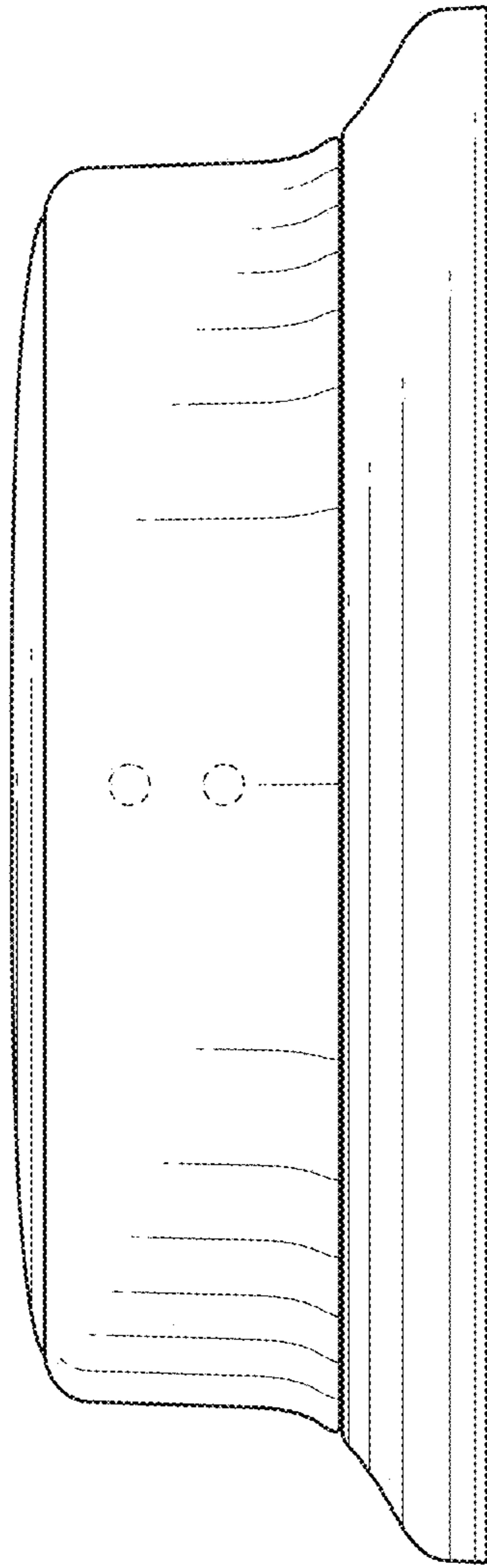


FIG. 7