



US00D876252S

(12) **United States Design Patent**
Lee

(10) **Patent No.:** **US D876,252 S**
(45) **Date of Patent:** **** Feb. 25, 2020**

- (54) **VEHICLE RADAR SENSOR**
- (71) Applicant: **THINKWARE CORPORATION**,
Seongnam-si, Gyeonggi-do (KR)
- (72) Inventor: **Hyun Woo Lee**, Seoul (KR)
- (73) Assignee: **THINKWARE CORPORATION**,
Seongnam-si (KR)
- (**) Term: **15 Years**
- (21) Appl. No.: **29/663,431**
- (22) Filed: **Sep. 14, 2018**
- (51) **LOC (12) Cl.** **10-04**
- (52) **U.S. Cl.**
USPC **D10/65; D10/70**
- (58) **Field of Classification Search**
USPC **D10/65, 70**
CPC . **G01S 1/04; G01S 1/042; G01S 1/045; G01S 3/04; G01S 3/043; G01S 3/046; G01S 7/032; G01S 7/4813; G01S 7/484; G01S 7/486; G01S 7/4911; G01S 7/4912; G01S 7/542; G01S 7/526; G01S 19/13; G01S 19/35**
See application file for complete search history.

- (56) **References Cited**
U.S. PATENT DOCUMENTS
D524,177 S * 7/2006 Wu D10/102

D524,178 S * 7/2006 Wu D10/102
7,456,511 B1 * 11/2008 Chu G01S 5/0027
290/44

* cited by examiner

Primary Examiner — Antoine Duval Davis
(74) *Attorney, Agent, or Firm* — Novick, Kim & Lee, PLLC; Sang Ho Lee; Hyun Woo Shin

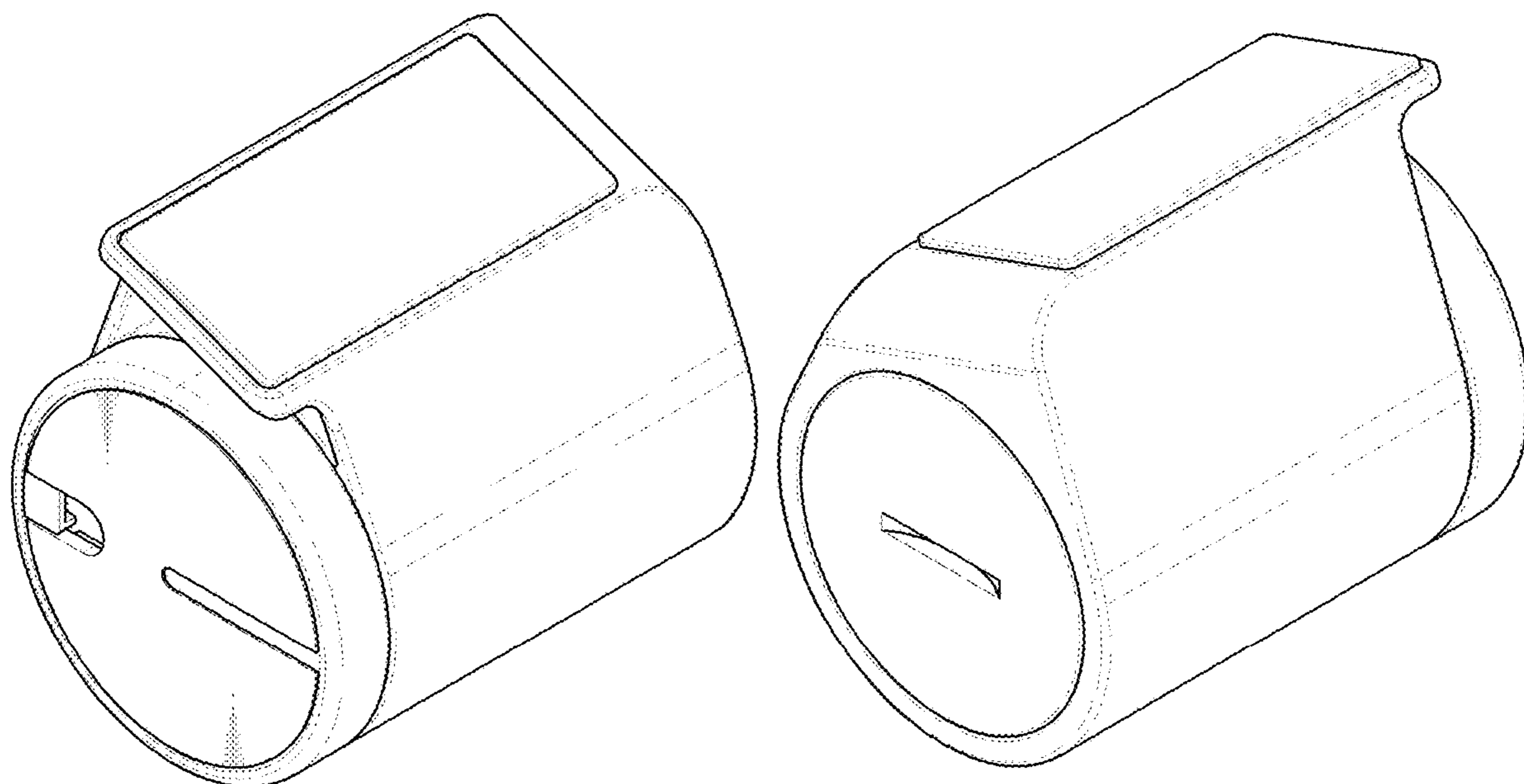
(57) **CLAIM**

I claim the ornamental design for a vehicle radar sensor, as shown and described.

DESCRIPTION

FIG. 1 is a front, left side perspective view of a vehicle radar sensor, showing my new design;
FIG. 2 is a front elevational view thereof;
FIG. 3 is a rear elevational view thereof;
FIG. 4 is a left side elevational view thereof;
FIG. 5 is a right side elevational view thereof;
FIG. 6 is a top plan view thereof;
FIG. 7 is a bottom plan view thereof;
FIG. 8 is a rear, left side perspective view thereof;
FIG. 9 is a rear, right side perspective view thereof; and,
FIG. 10 is a reference view thereof showing a configuration of use wherein the vehicle radar sensor is shown in reference to a vehicle windshield.
The broken lines in the drawings show environmental structure which do not form a part of the claimed design.

1 Claim, 7 Drawing Sheets



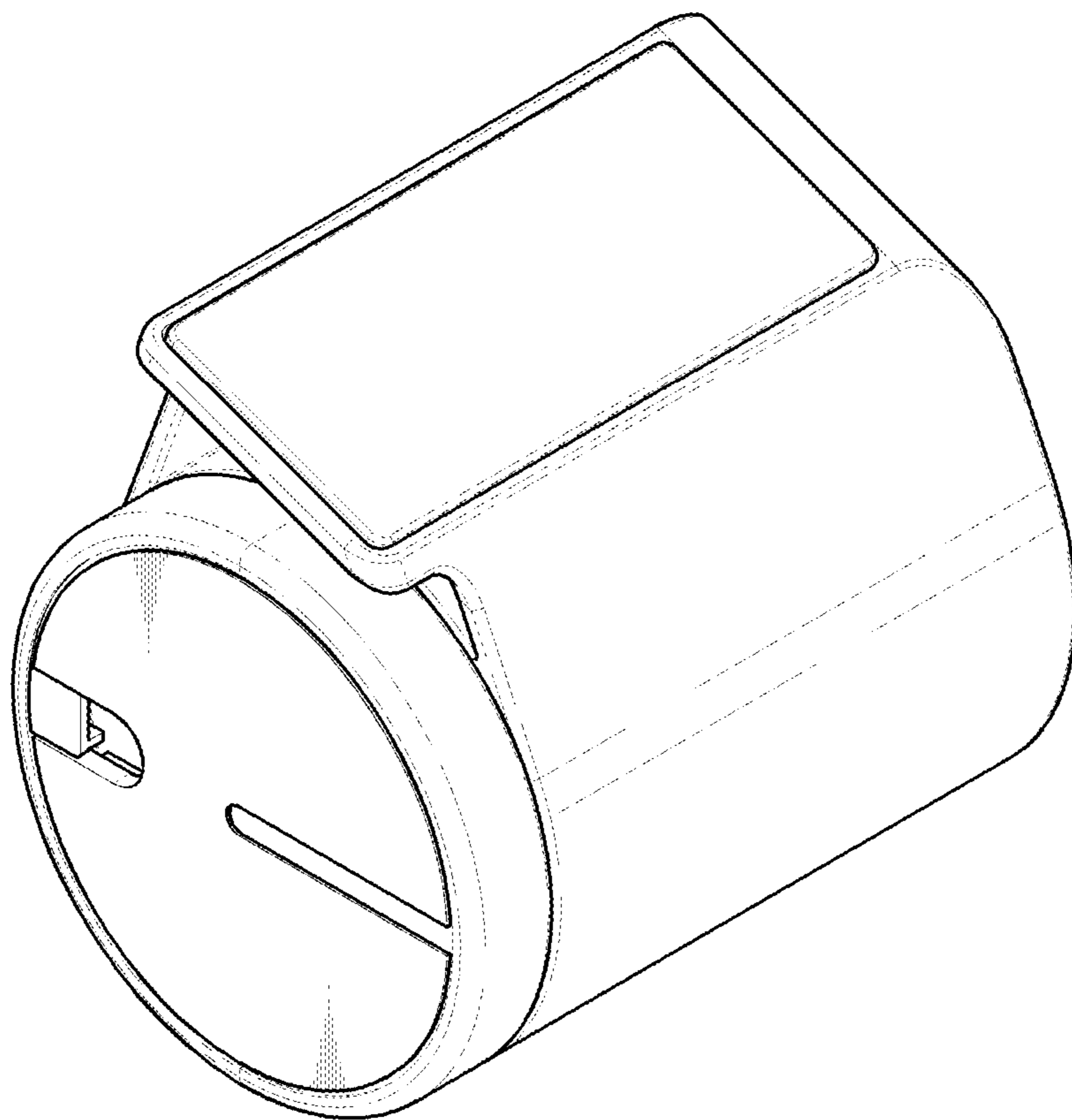


FIG. 1

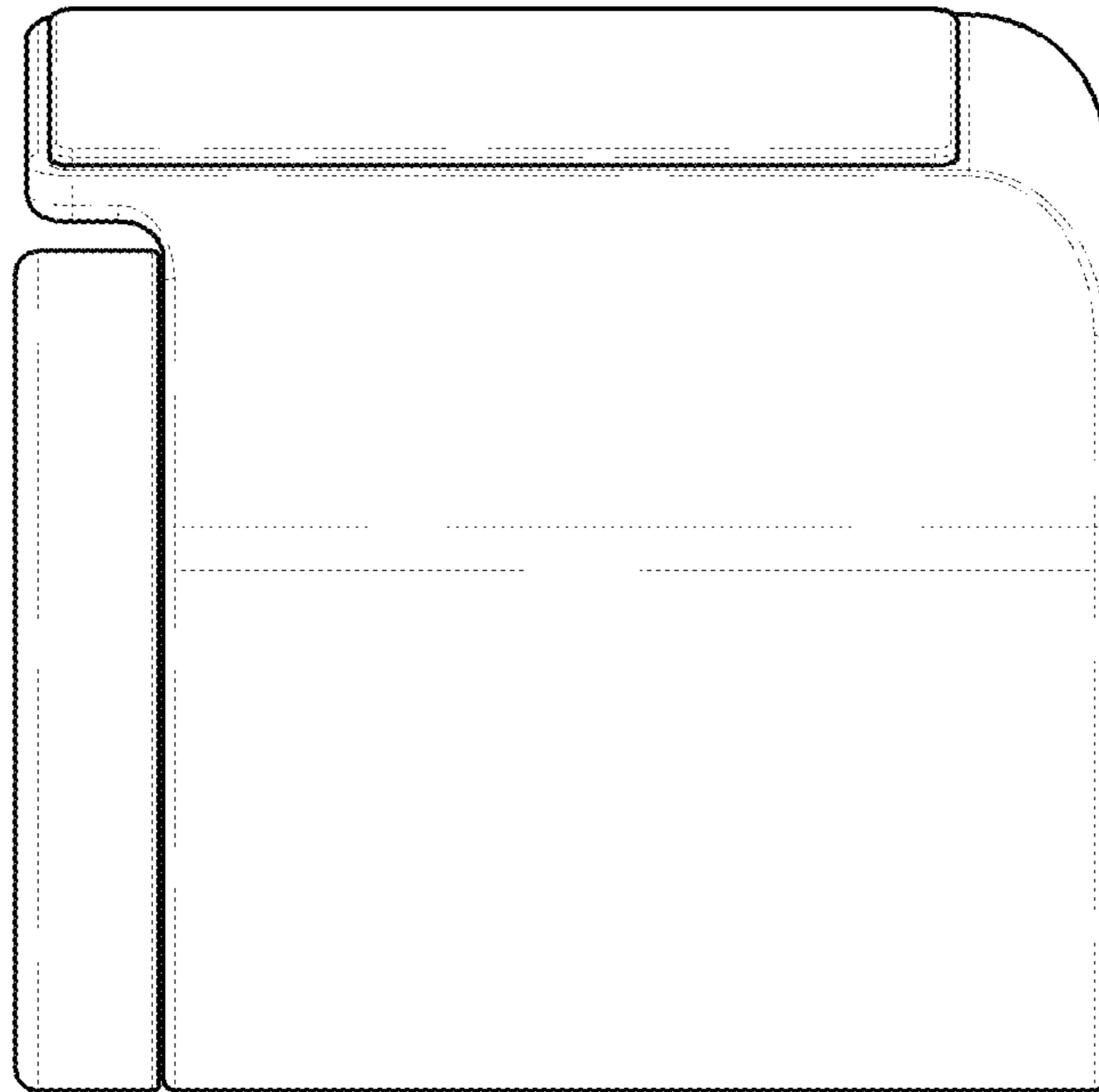


FIG. 2

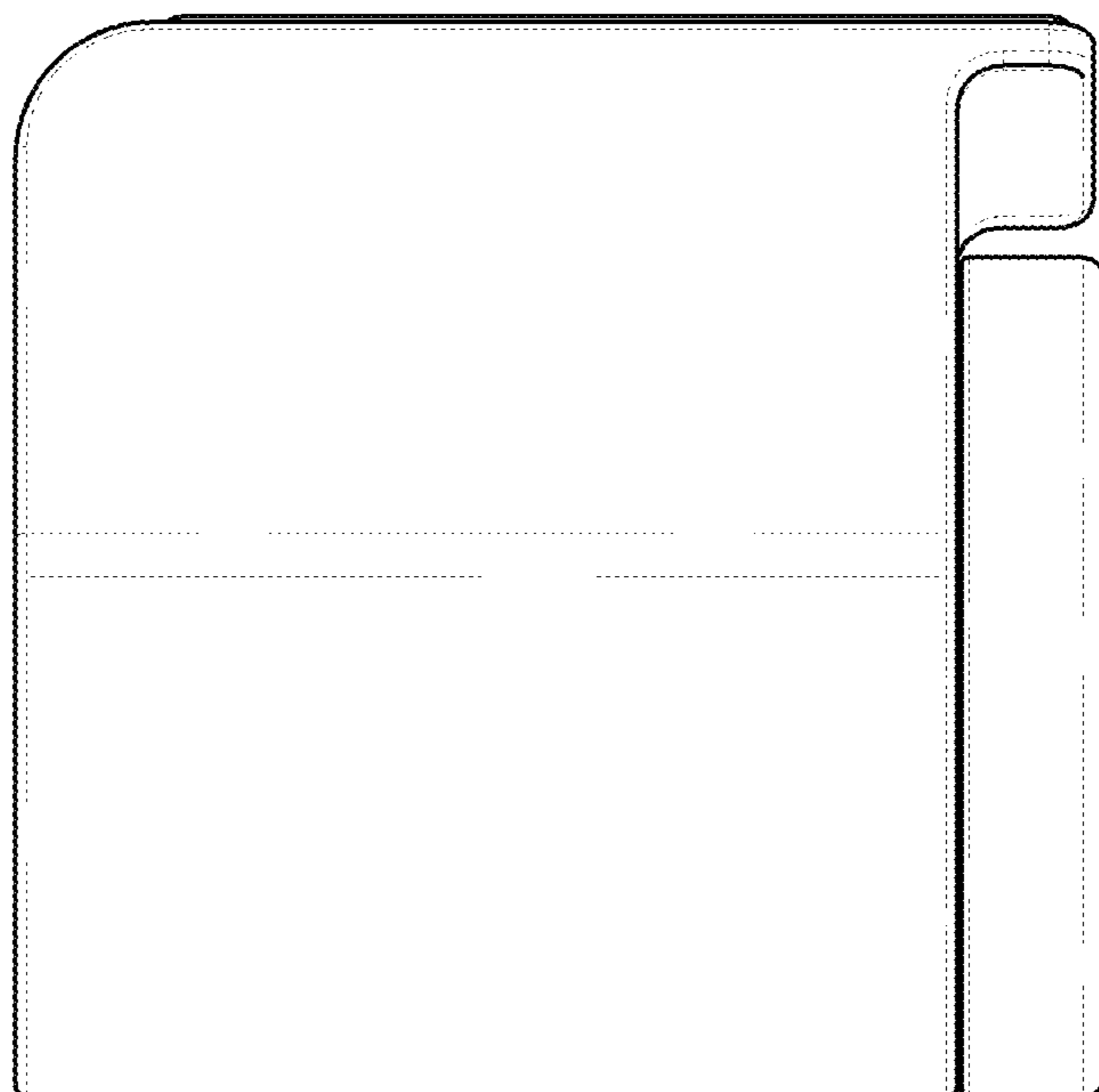


FIG. 3

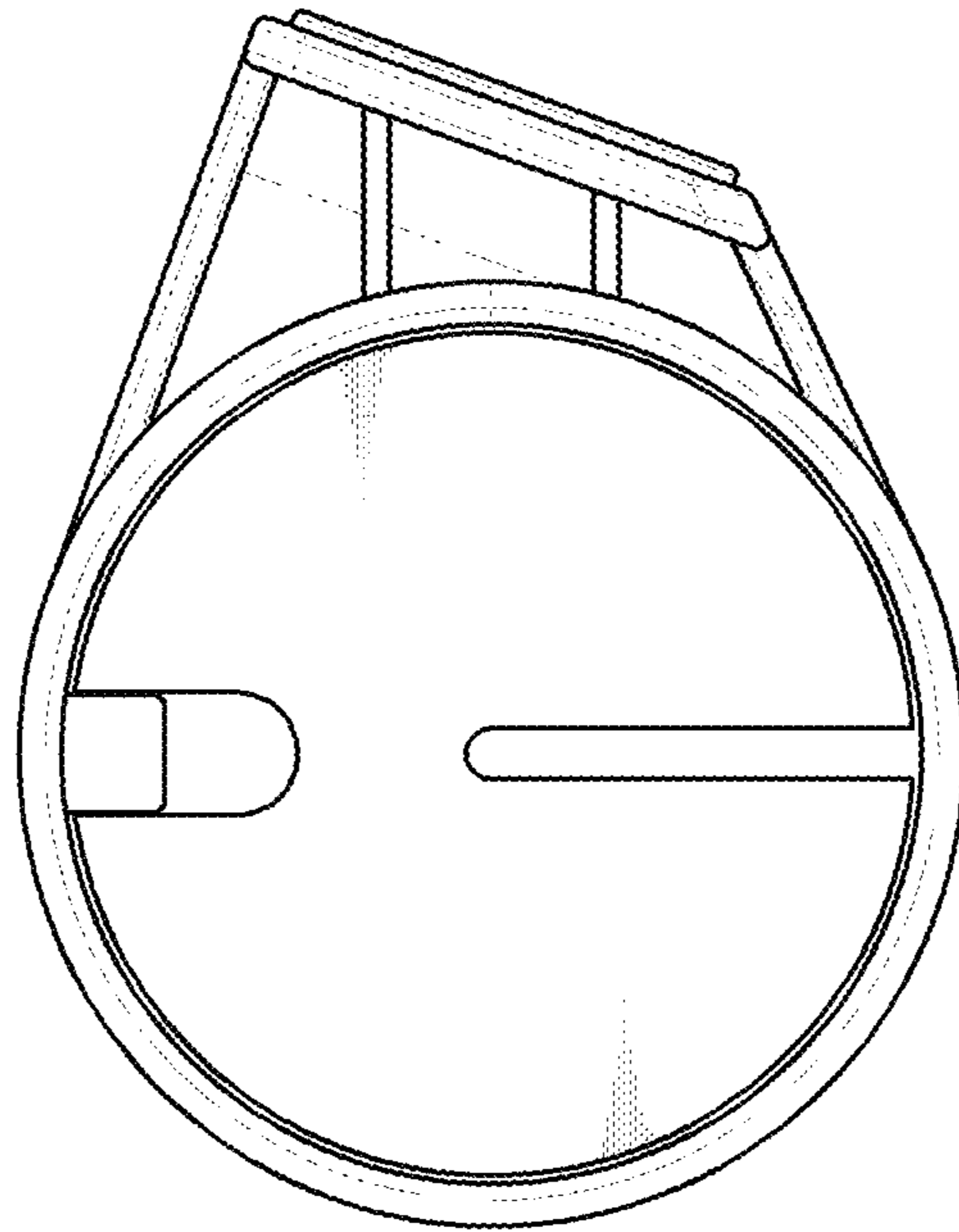


FIG. 4

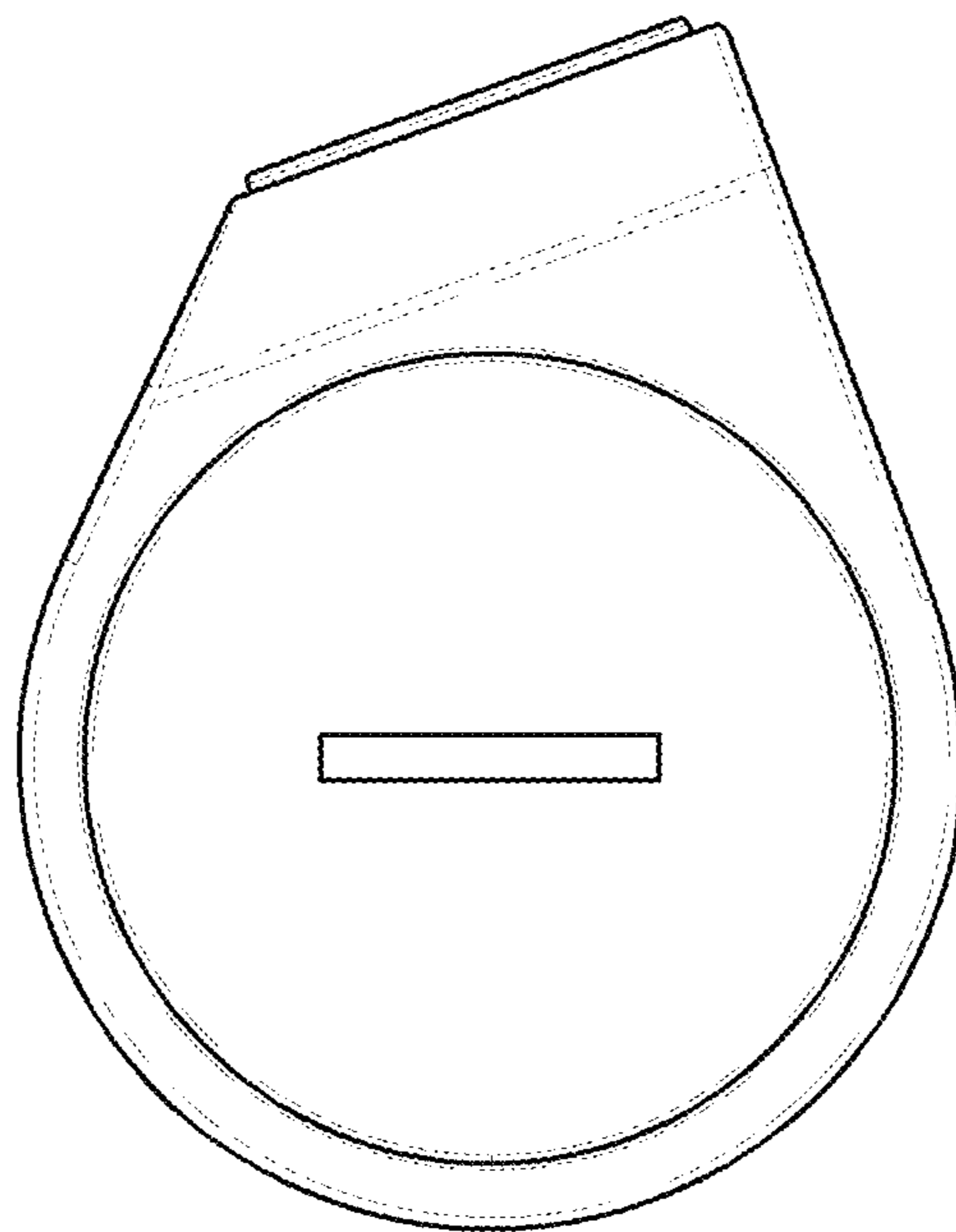


FIG. 5

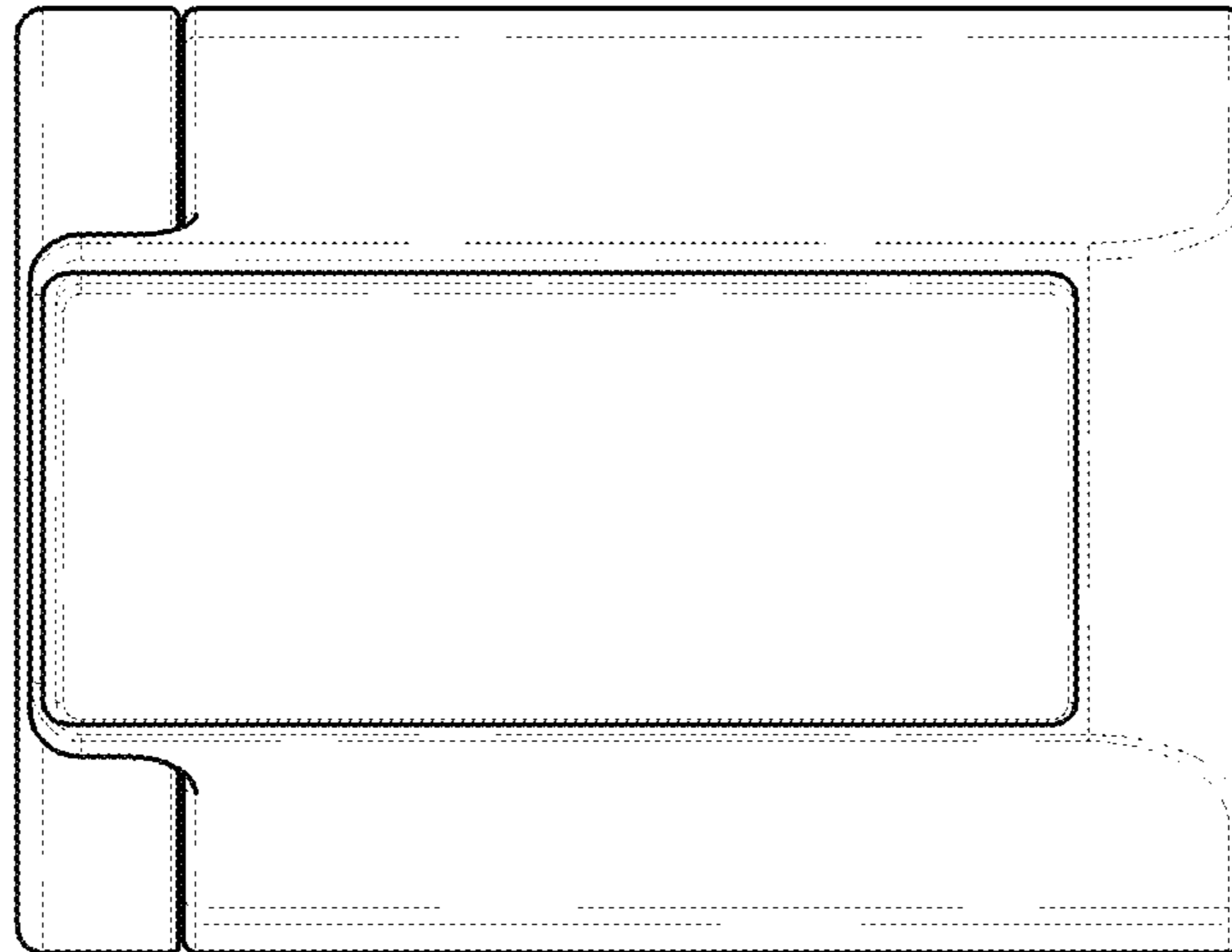


FIG. 6

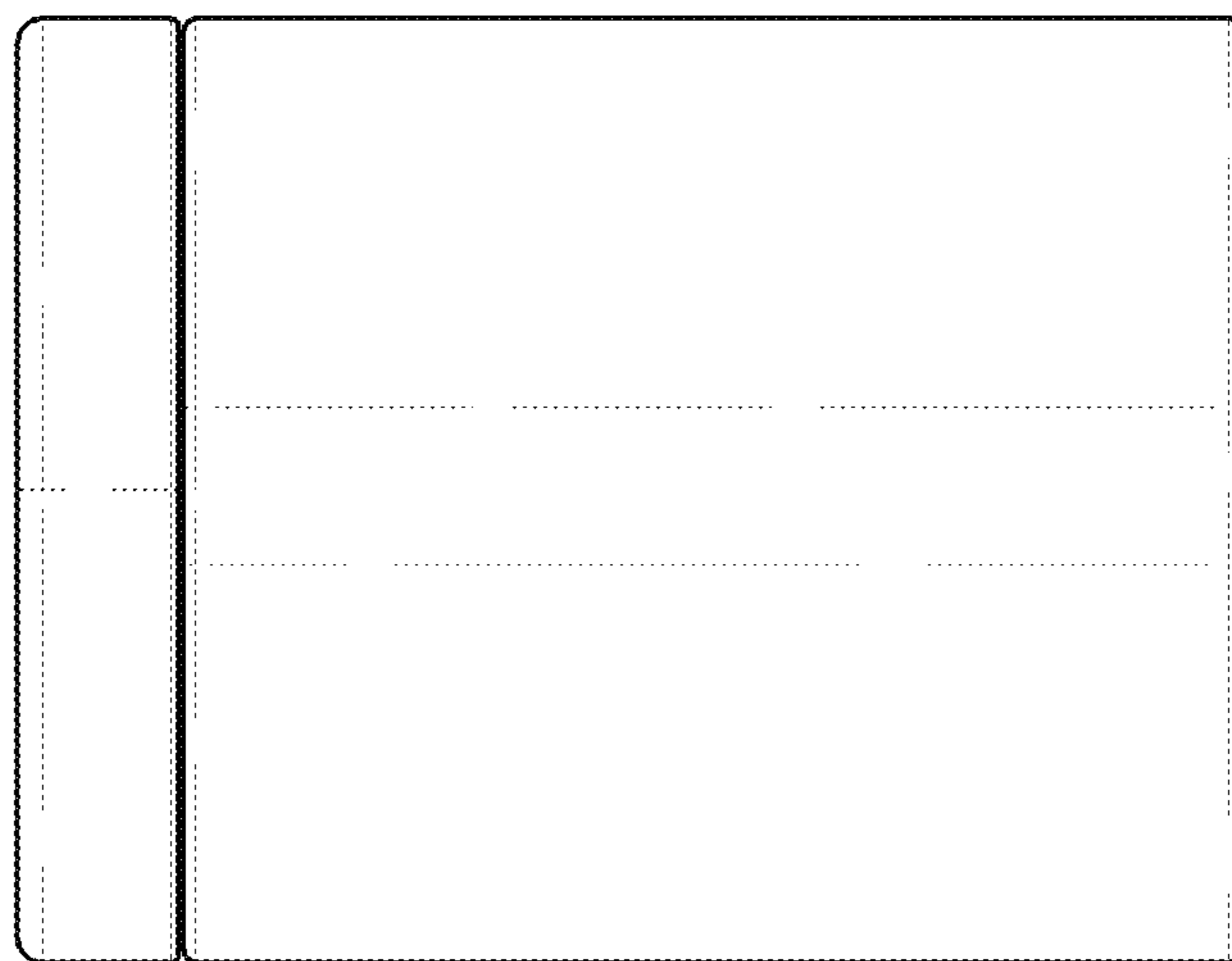


FIG. 7

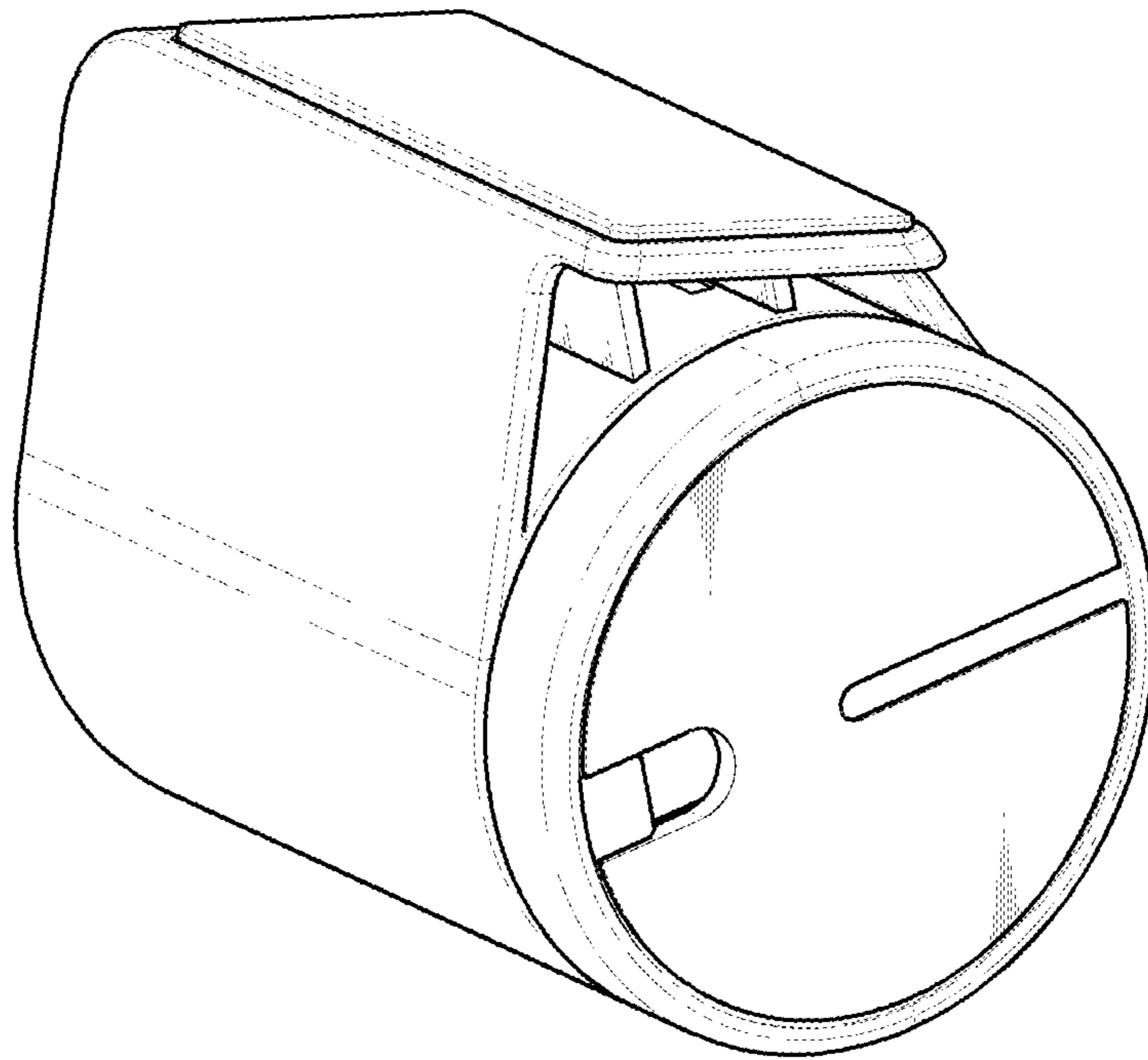


FIG. 8

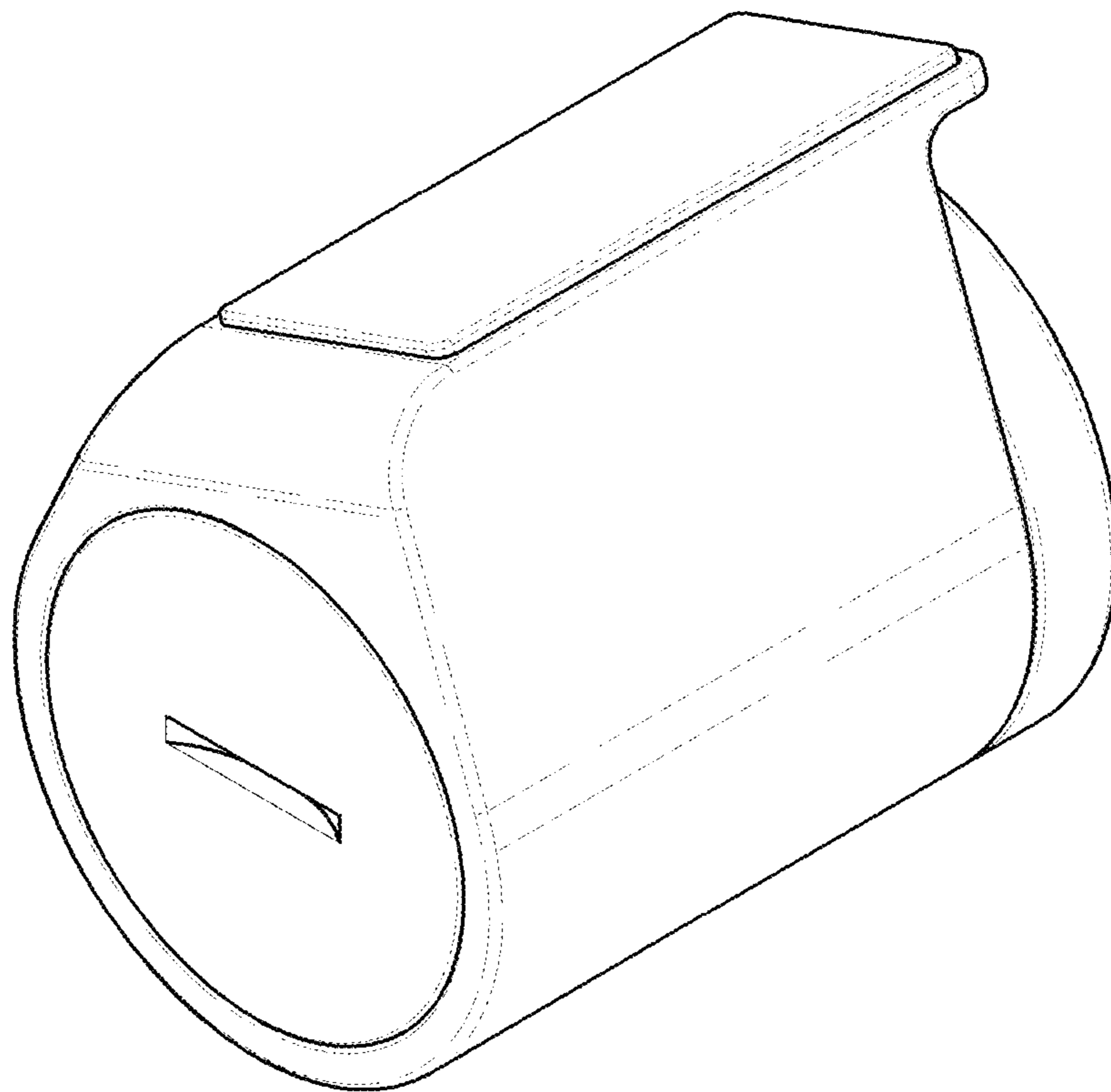


FIG. 9

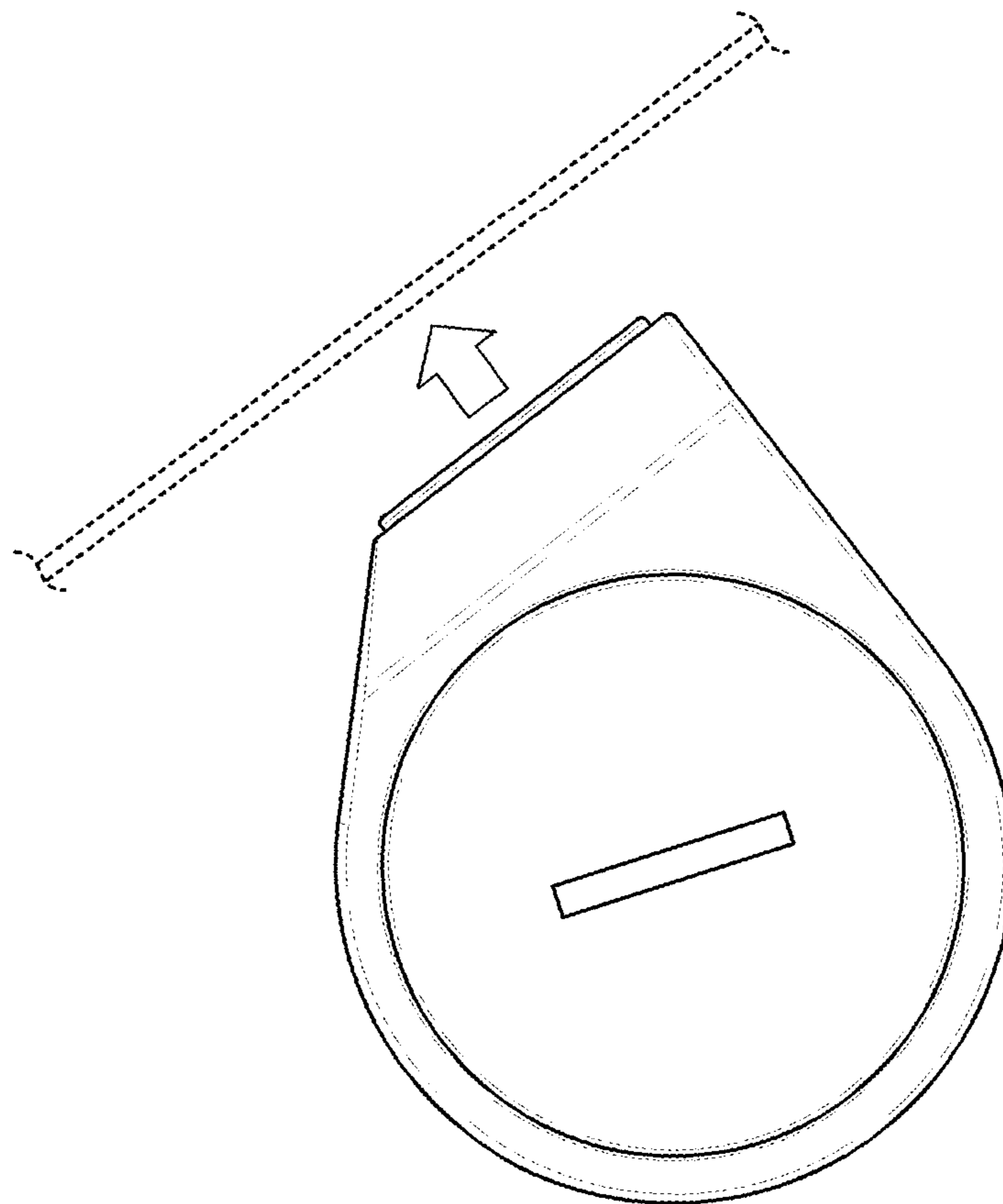


FIG. 10