



US00D876245S

(12) **United States Design Patent**
Bernhagen et al.

(10) **Patent No.:** **US D876,245 S**
(45) **Date of Patent:** **** Feb. 25, 2020**

(54) **SENSOR HOUSING**

D707,686 S * 6/2014 White D14/453
D727,186 S * 4/2015 Shamir D10/79
D757,538 S * 5/2016 Tam D9/432

(71) Applicant: **Pella Corporation**, Pella, IA (US)

(72) Inventors: **Todd A. Bernhagen**, Pella, IA (US);
Howard C. Anderson, III, Pella, IA
(US); **Evan R. Vande Haar**, Pella, IA
(US)

(73) Assignee: **Pella Corporation**, Pella, IA (US)

(**) Term: **15 Years**

(21) Appl. No.: **29/563,707**

(22) Filed: **May 6, 2016**

(51) **LOC (12) Cl.** **10-07**

(52) **U.S. Cl.**
USPC **D10/46**

(58) **Field of Classification Search**
USPC D10/30-33, 38, 46, 50-54, 57, 59, 65,
D10/68, 70, 106, 106.1, 106.6, 106.7,
D10/106.8, 114.9, 116.1, 116.6, 119.4;
D11/1, 3, 22, 53, 128; D14/94, 344;
D24/186

CPC G08B 23/00
See application file for complete search history.

(56) **References Cited**

U.S. PATENT DOCUMENTS

D533,092 S * 12/2006 Disselkoen D10/50
D534,089 S * 12/2006 Disselkoen D10/50
D541,679 S * 5/2007 Disselkoen D10/50
D542,160 S * 5/2007 Disselkoen D10/50
D579,799 S * 11/2008 Barton D10/50
D594,354 S * 6/2009 Disselkoen D10/50
D658,598 S * 5/2012 Ling D13/177
D661,212 S * 6/2012 DeLeon D10/106.2
D665,119 S * 8/2012 Bryant D26/122

OTHER PUBLICATIONS

Pella introduces Insynctive family of smart home products for doors and windows, posted on mysmahome.com, posted Jan. 8, 2015, No production date given, [online], [site visited Apr. 27, 2017], Available from Internet, <URL: <http://mysmahome.com/news/3326/pella-introduces-insynctive-family-of-smart-home-products-for-doors-and-windows-2/>>.*

GE Choice Alert Wireless System Window/Door Sensor, posted on amazon.com, first available Oct. 2, 2001, [online], [site visited Apr. 27, 2017], Available from Internet, <URL: <https://www.amazon.com/GE-Choice-Wireless-System-Window/dp/B0013V8K98>>.*

* cited by examiner

Primary Examiner — Michael C Stout

Assistant Examiner — Fritzgerald L Butac

(74) *Attorney, Agent, or Firm* — Faegre Baker Daniels LLP

(57) **CLAIM**

The ornamental design for a sensor housing, as shown and described.

DESCRIPTION

FIG. 1 is an isometric view from a first, side perspective of a sensor housing;

FIG. 2 is a first side view thereof;

FIG. 3 is a second side view thereof;

FIG. 4 is a third side view thereof;

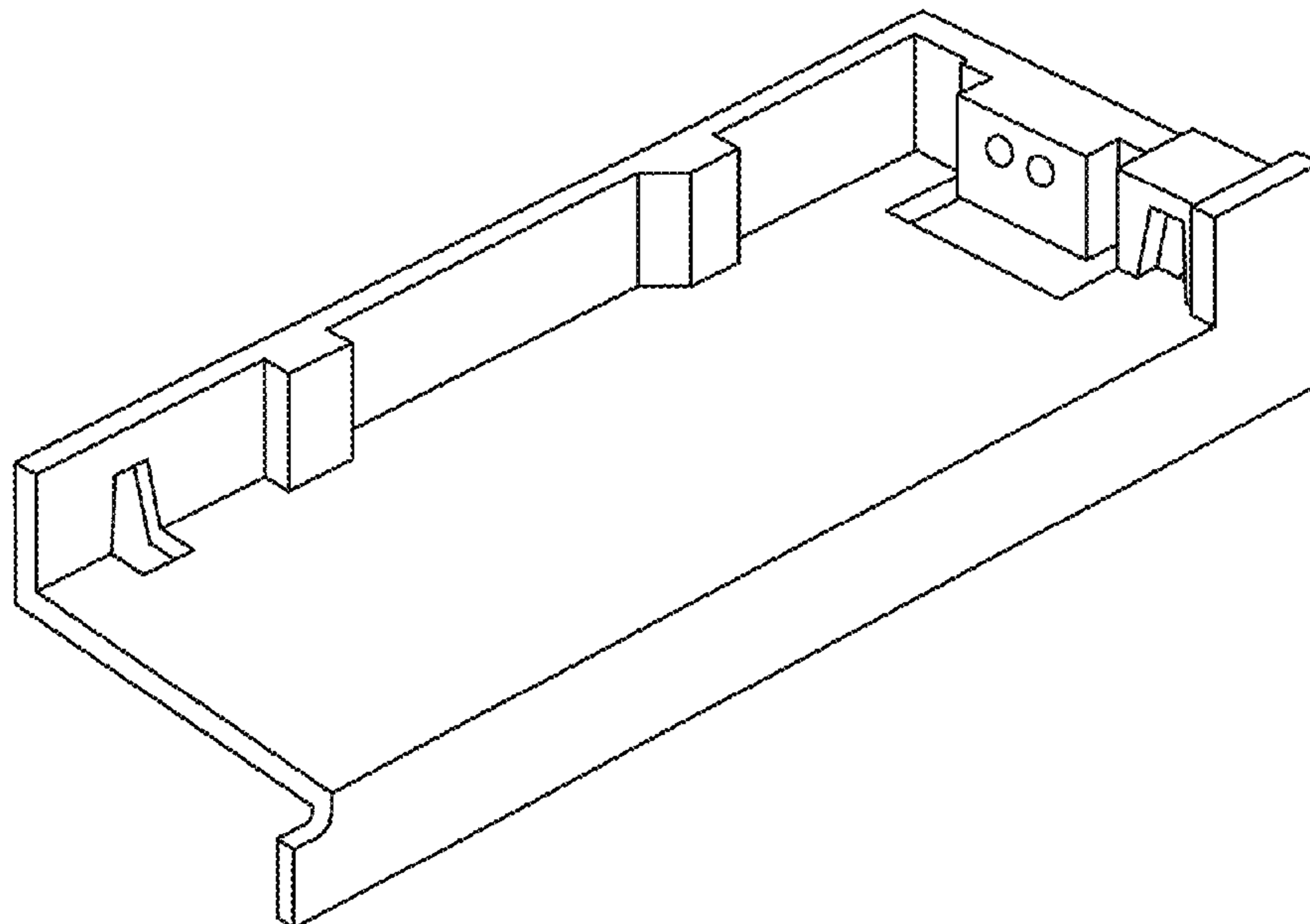
FIG. 5 is a fourth side view thereof;

FIG. 6 is a top side view thereof; and,

FIG. 7 is a bottom side view thereof.

The broken lines show portions of a sensor housing that form no part of the claimed design.

1 Claim, 3 Drawing Sheets



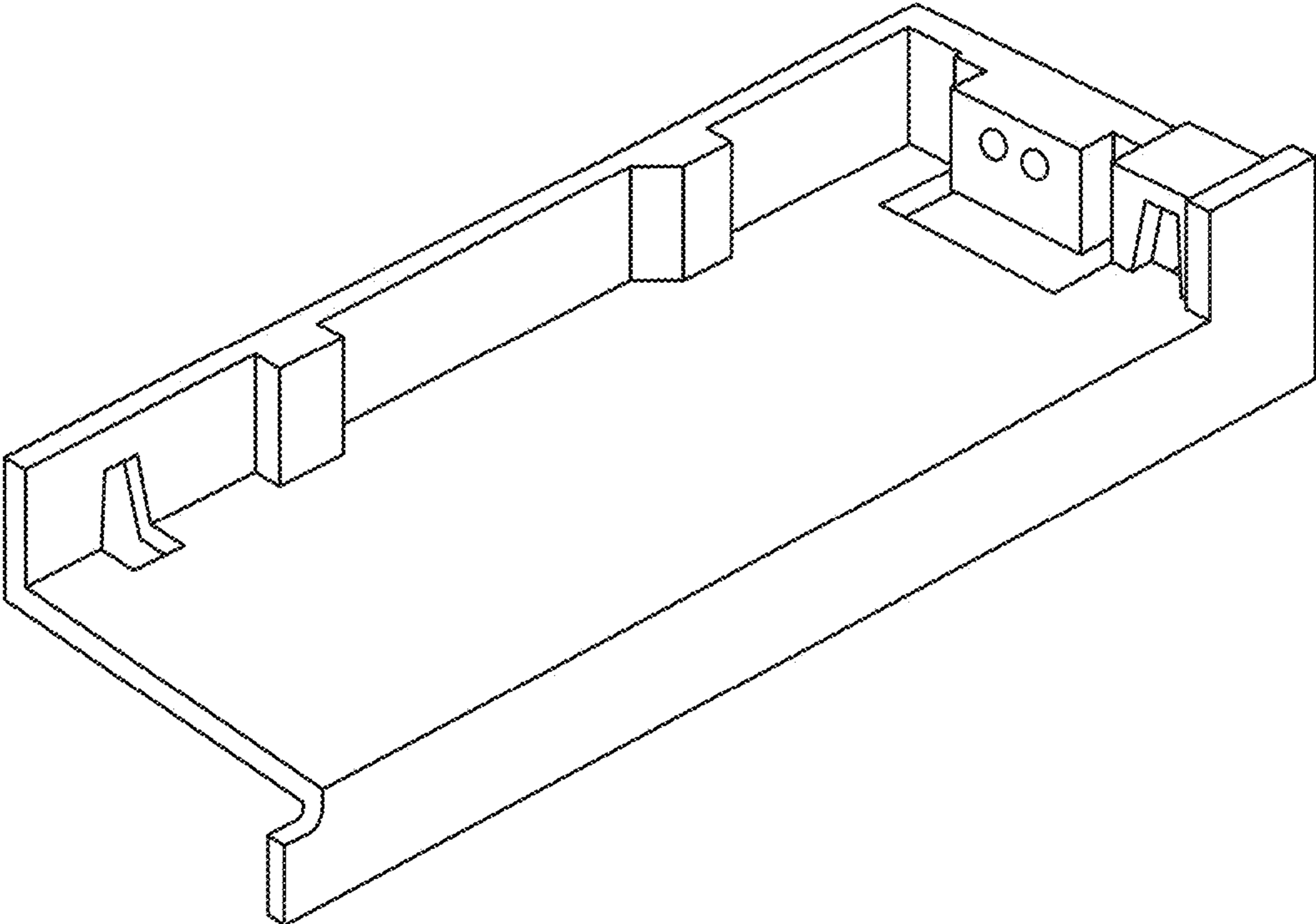


FIG. 1

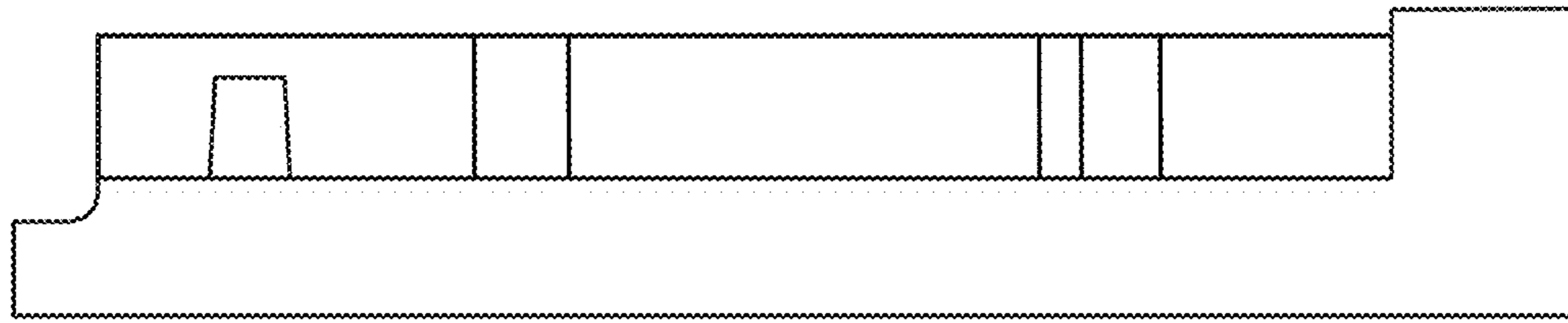


FIG. 2

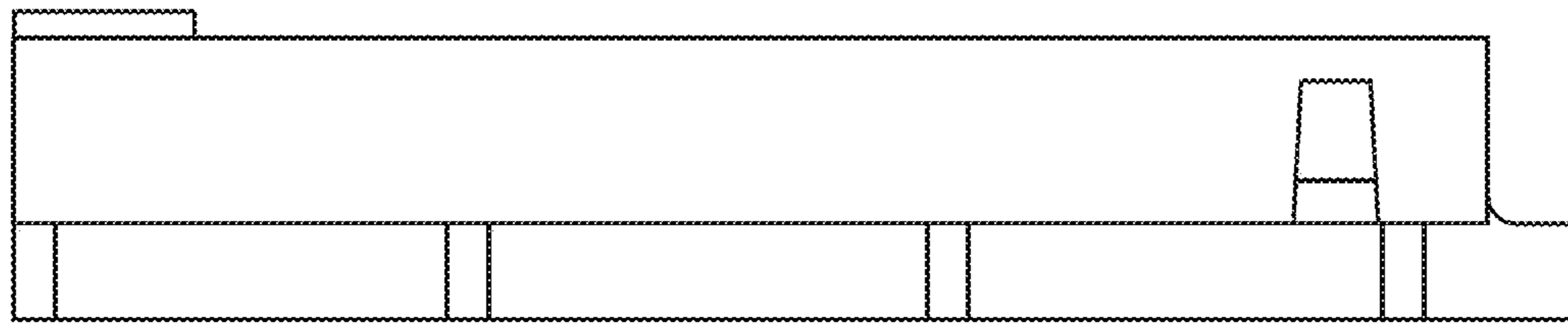


FIG. 3

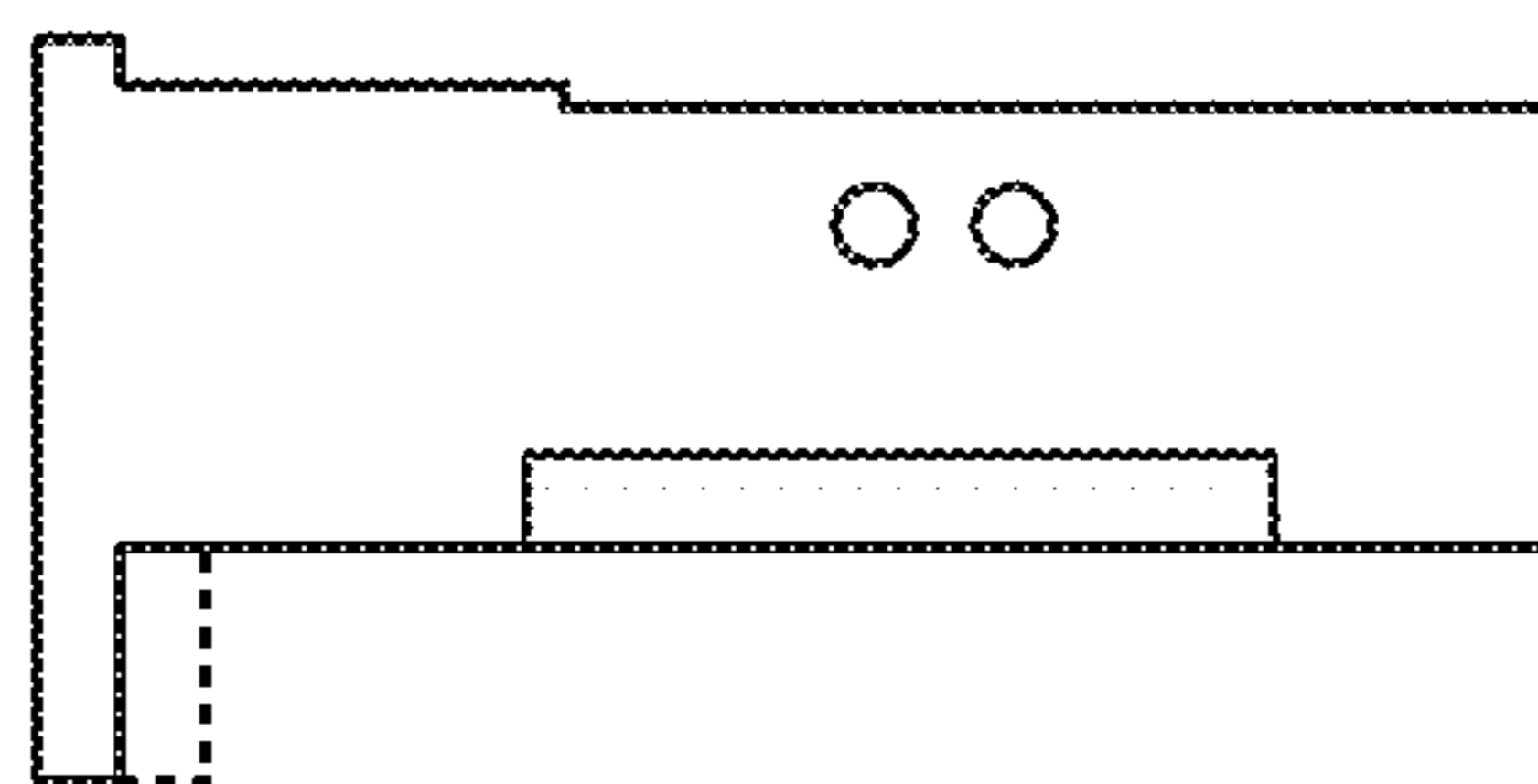


FIG. 4

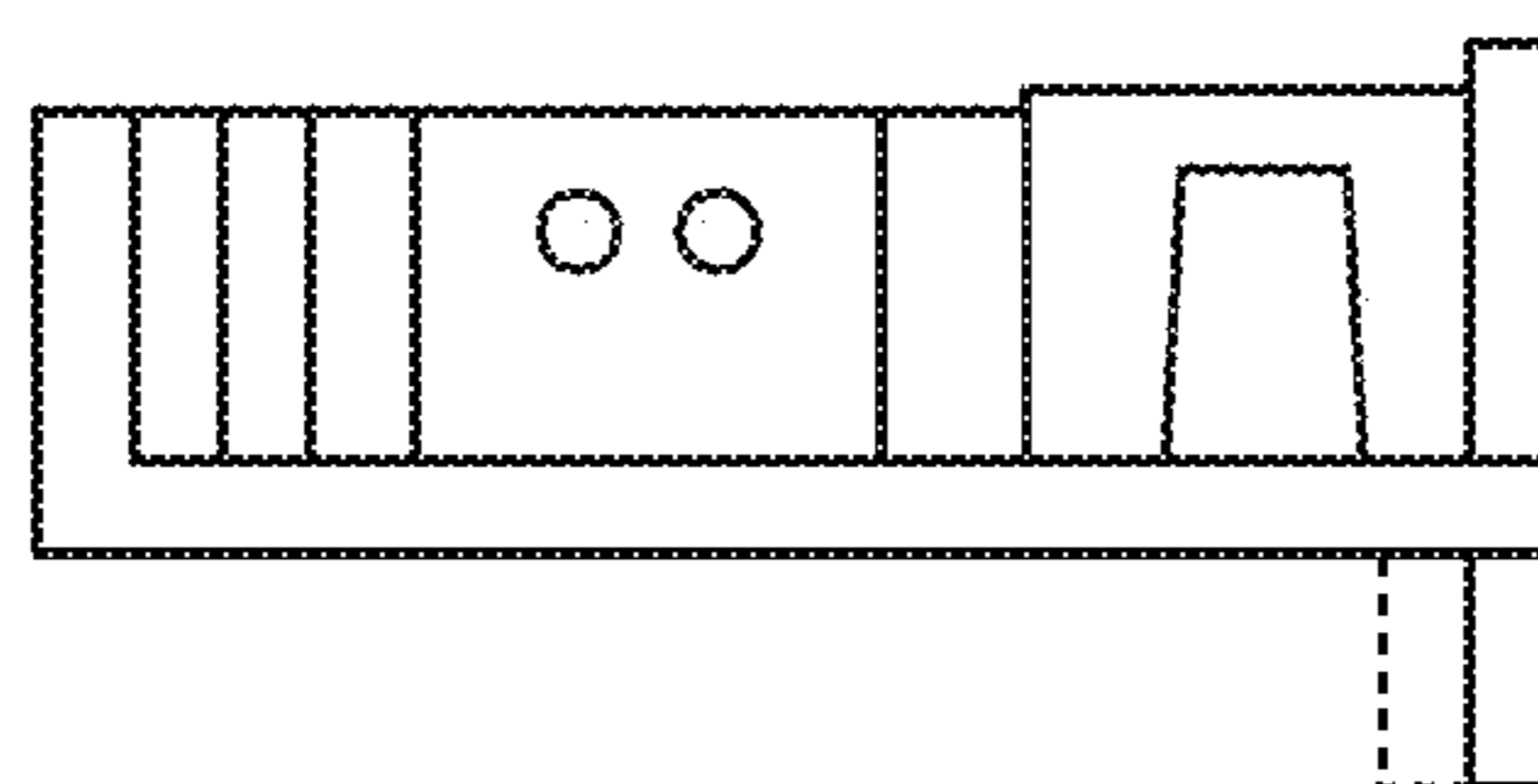


FIG. 5

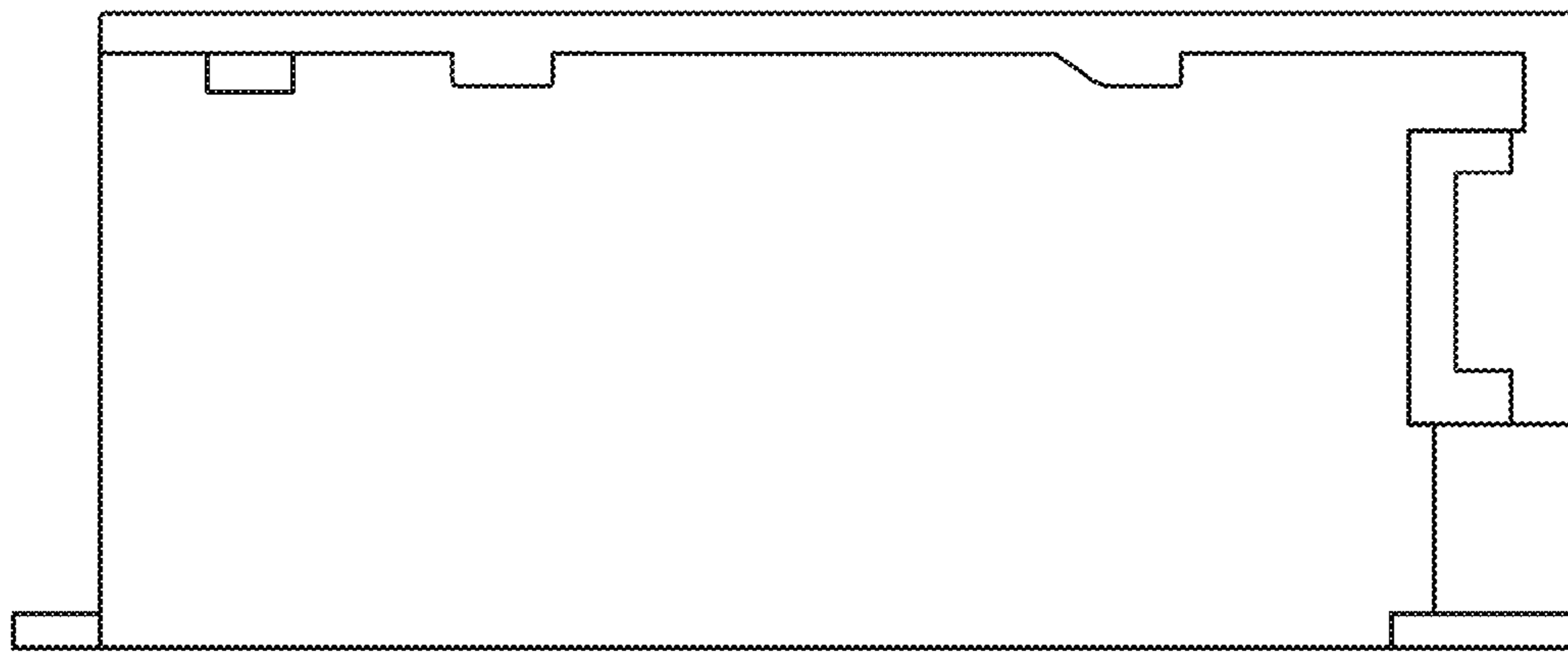


FIG. 6

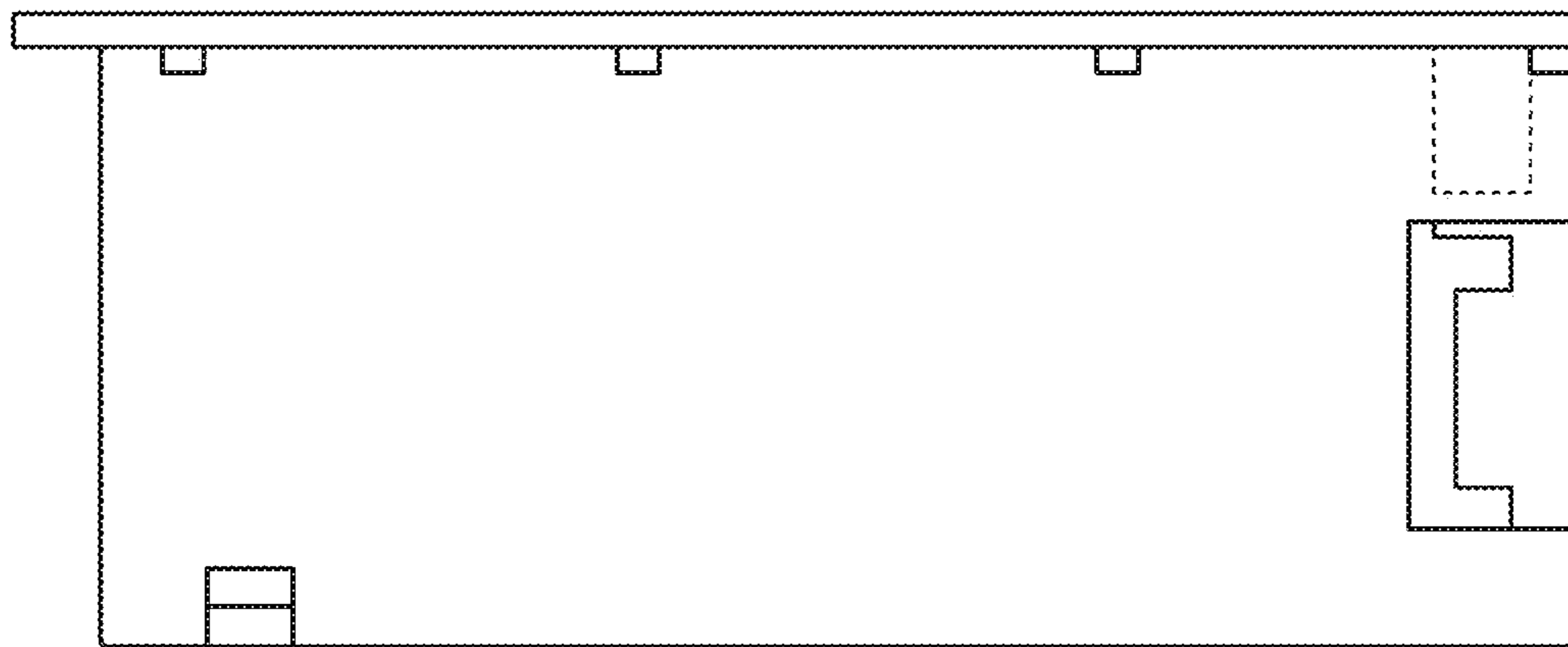


FIG. 7