

US00D876242S

(12) **United States Design Patent** (10) **Patent No.:** **US D876,242 S**
Akana et al. (45) **Date of Patent:** **** Feb. 25, 2020**

(54) **PACKAGING**

(71) Applicant: **Apple Inc.**, Cupertino, CA (US)
(72) Inventors: **Jody Akana**, San Francisco, CA (US);
Bartley K. Andre, Palo Alto, CA (US);
Shota Aoyagi, San Francisco, CA (US);
Jeremy Bataillou, San Francisco, CA
(US); **Daniel J. Coster**, San Francisco,
CA (US); **Daniele De Iuliis**, San
Francisco, CA (US); **M. Evans**
Hankey, San Francisco, CA (US);
Julian Hoenig, San Francisco, CA
(US); **Richard P. Howarth**, San
Francisco, CA (US); **Jonathan P. Ive**,
San Francisco, CA (US); **Duncan**
Robert Kerr, San Francisco, CA (US);
Shin Nishibori, Kailua, HI (US);
Matthew Dean Rohrbach, San
Francisco, CA (US); **Peter**
Russell-Clarke, San Francisco, CA
(US); **Mikael Silvano**, San Francisco,
CA (US); **Christopher J. Stringer**,
Woodside, CA (US); **Eugene Antony**
Whang, San Francisco, CA (US); **Rico**
Zörkendörfer, San Francisco, CA (US)

(73) Assignee: **Apple Inc.**, Cupertino, CA (US)

(**) Term: **15 Years**

(21) Appl. No.: **29/664,982**

(22) Filed: **Sep. 28, 2018**

Related U.S. Application Data

(63) Continuation of application No. 29/617,038, filed on
Sep. 11, 2017, now Pat. No. Des. 821,551, which is
a continuation of application No. 29/542,017, filed on
Oct. 9, 2015, now Pat. No. Des. 796,968, which is a
continuation of application No. 29/489,106, filed on
Apr. 25, 2014, now Pat. No. Des. 740,653, which is
(Continued)

(51) **LOC (12) Cl.** **09-03**

(52) **U.S. Cl.**
USPC **D9/737**

(58) **Field of Classification Search**
USPC D9/414–433, 434, 456, 457, 711, 713,
D9/721–722, 737; D3/272–274, 290,
D3/304, 305, 315
CPC ... B65D 5/00; B65D 5/02; B65D 5/18; B65D
5/20
See application file for complete search history.

(56) **References Cited**

U.S. PATENT DOCUMENTS

D256,994 S 9/1980 MacGregor
4,542,822 A 9/1985 Kennedy, Jr. et al.
(Continued)

OTHER PUBLICATIONS

Jacostore.co.uk, “Black Ladybird Beetle Earphones,” (<http://www.jacostore.co.uk/black-ladybird-beetle-earphones-45-p.asp>), accessed
Oct. 19, 2012, 1 page.

Primary Examiner — Vy N Koenig
(74) *Attorney, Agent, or Firm* — Sterne, Kessler, Goldstein
& Fox P.L.L.C.

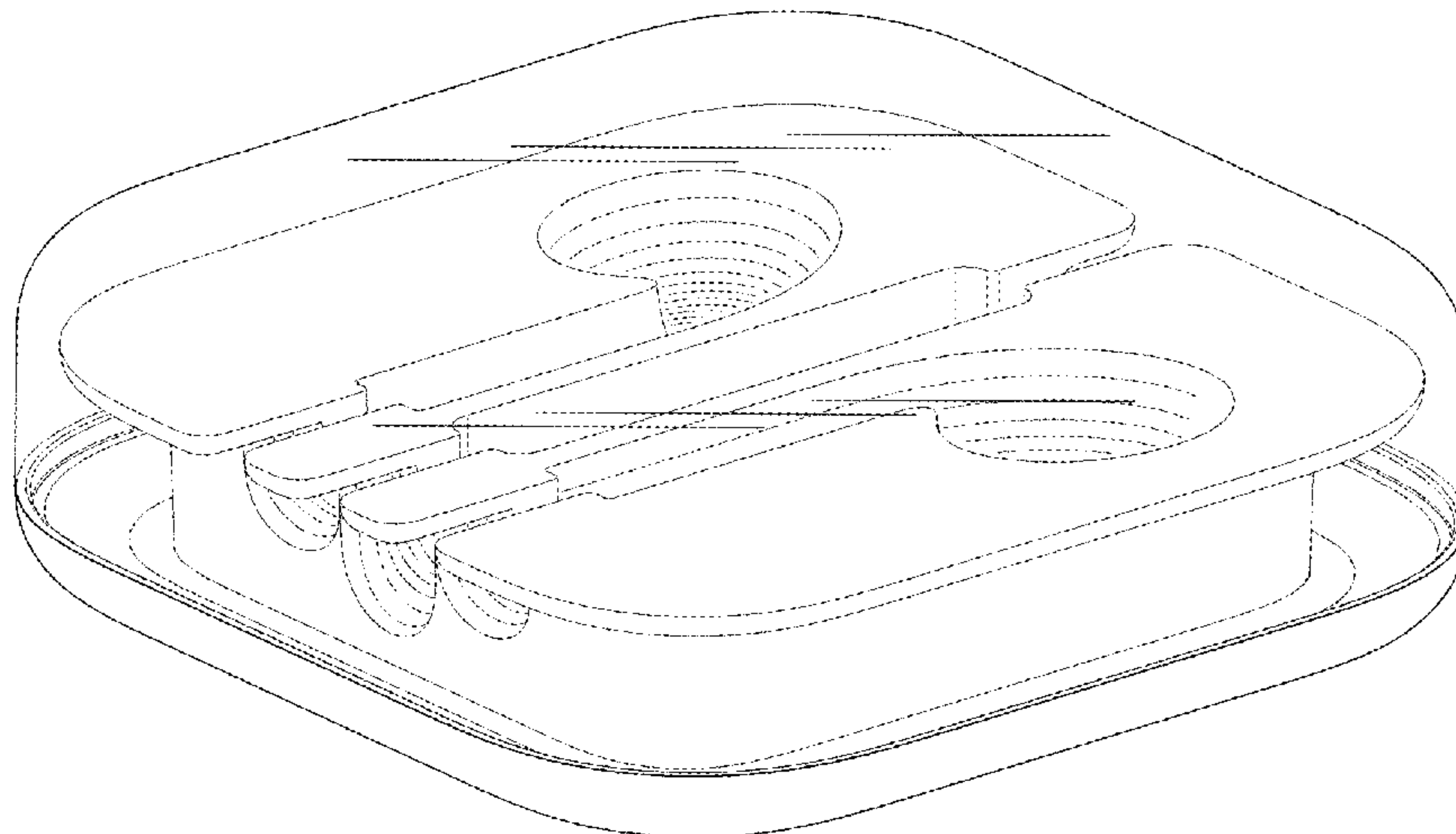
(57) **CLAIM**

The ornamental design for packaging, as shown and
described.

DESCRIPTION

FIG. 1 is a top perspective view of packaging, showing the
claimed design;
FIG. 2 is a top view thereof;
FIG. 3 is a bottom view thereof;
FIG. 4 is a rear view thereof;
FIG. 5 is a front view thereof;
FIG. 6 is left view thereof; and,
FIG. 7 is a right view thereof.

1 Claim, 5 Drawing Sheets



Related U.S. Application Data

a continuation of application No. 29/431,868, filed on
Sep. 11, 2012, now Pat. No. Des. 706,643.

(56)

References Cited

U.S. PATENT DOCUMENTS

D397,865 S 9/1998 Lin
5,984,224 A 11/1999 Yang
D479,016 S 8/2003 Sgariboldi
D493,335 S 7/2004 Armato
D506,744 S 6/2005 Andre et al.
D531,025 S 10/2006 Tanner
D556,571 S 12/2007 Jalet
D558,571 S 1/2008 Andre et al.
D573,977 S 7/2008 Ledbetter et al.
D577,250 S 9/2008 Zanaletti
D580,752 S 11/2008 Andre et al.
D584,142 S 1/2009 Andre et al.
D593,537 S 6/2009 Arimoto
D601,884 S 10/2009 Andre et al.
D604,501 S 11/2009 Lee
D604,605 S 11/2009 Chung et al.
D616,741 S 6/2010 Andre et al.
D618,999 S 7/2010 Akana et al.
D620,781 S 8/2010 Weckwerth
D620,984 S 8/2010 Rose et al.
D621,256 S 8/2010 Andre et al.
D624,316 S 9/2010 Ferber et al.
D637,076 S 5/2011 Akana et al.
D649,449 S 11/2011 Akana et al.
D658,492 S 5/2012 Akana et al.
D659,530 S 5/2012 Akana et al.
D668,143 S 10/2012 Akana et al.

D672,554 S * 12/2012 Penttinen D3/273
D672,660 S 12/2012 Vural
D676,321 S 2/2013 Jones et al.
D681,015 S 4/2013 Akana et al.
D685,771 S 7/2013 Bertenthal
D686,065 S 7/2013 Kuo et al.
D691,594 S 10/2013 Akana et al.
D694,249 S 11/2013 Akana et al.
D697,718 S 1/2014 Chun
D704,072 S 5/2014 Akana et al.
D704,073 S 5/2014 Akana et al.
D706,643 S 6/2014 Akana et al.
D709,384 S 7/2014 Vural
D712,279 S 9/2014 Akana et al.
D712,748 S 9/2014 Akana et al.
D713,738 S 9/2014 Akana et al.
D713,739 S 9/2014 Akana et al.
D718,386 S 11/2014 Packard et al.
D720,718 S 1/2015 Stevinson
D722,264 S 2/2015 Saideh
D722,497 S 2/2015 Saideh
D723,218 S 2/2015 Goswell
D730,581 S 5/2015 Hwang
D734,550 S * 7/2015 Schlatter D28/83
D739,657 S 9/2015 Hsieh et al.
D740,653 S 10/2015 Akana et al.
D744,855 S 12/2015 Akana et al.
D746,698 S 1/2016 Akana et al.
D782,327 S 3/2017 Akana et al.
D795,061 S 8/2017 Bacallao
D796,968 S 9/2017 Akana et al.
D807,761 S 1/2018 Akana et al.
D808,281 S 1/2018 Akana et al.
D834,377 S * 11/2018 Zoske D7/629

* cited by examiner

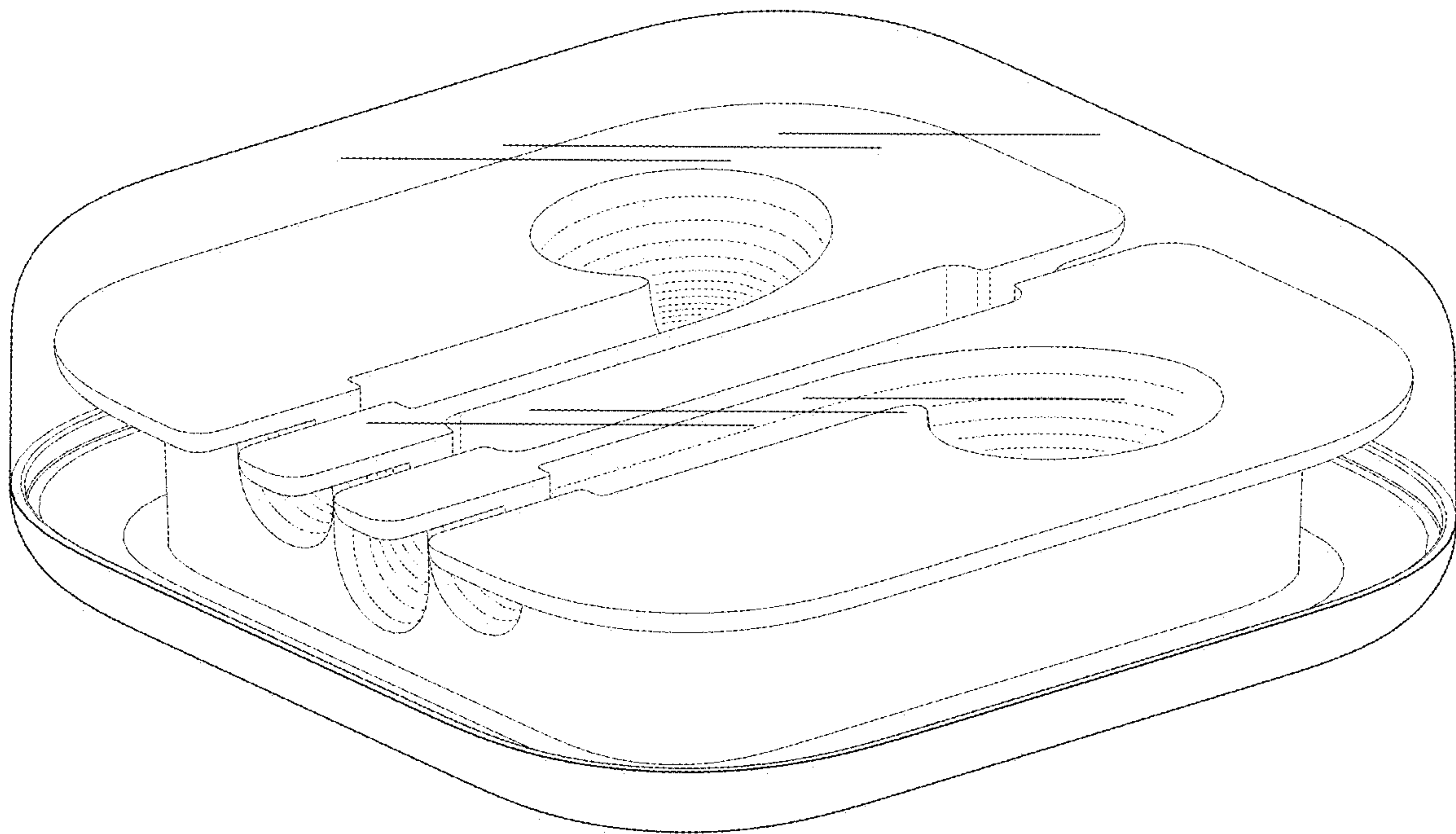


FIG. 1

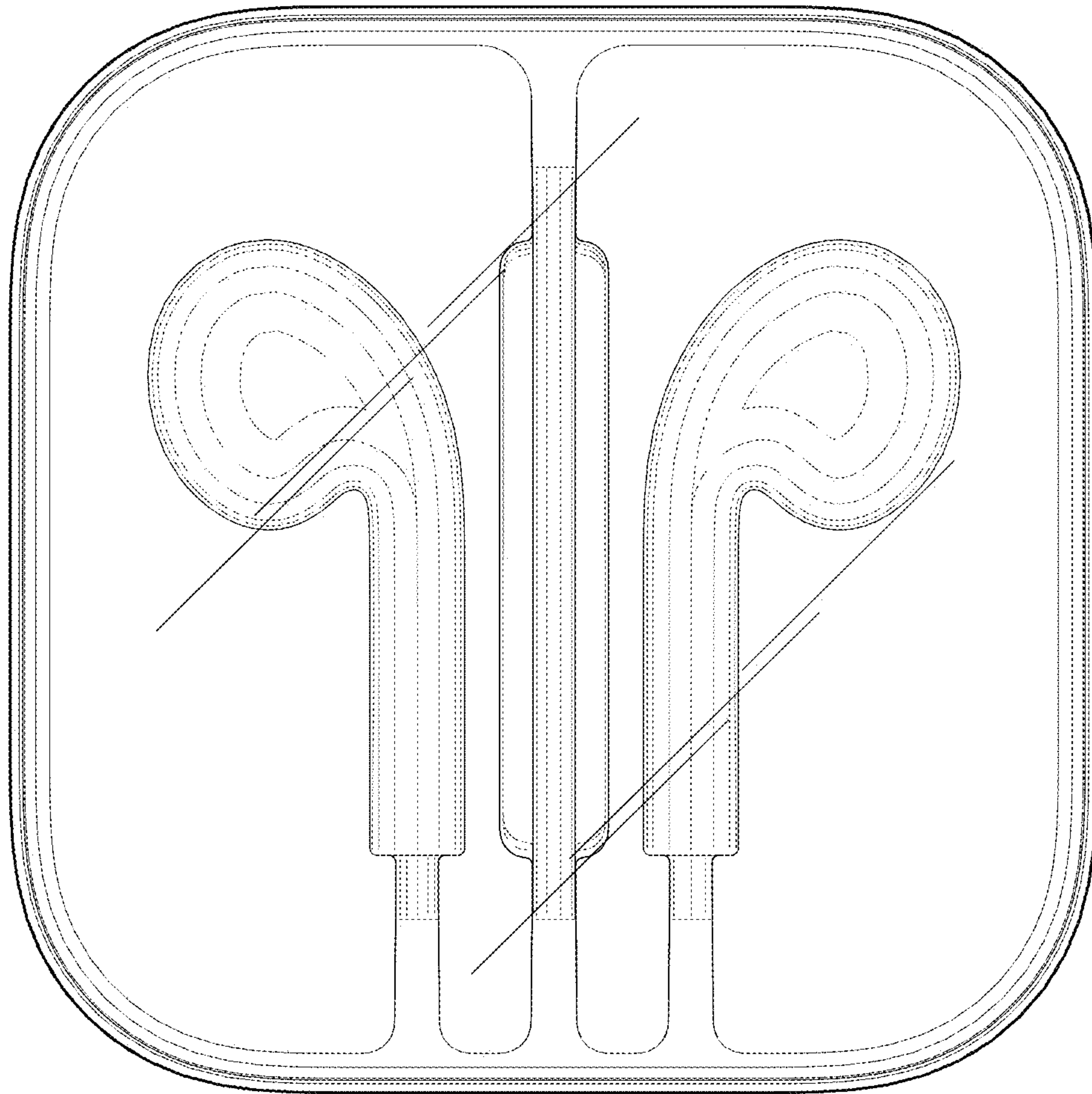


FIG. 2

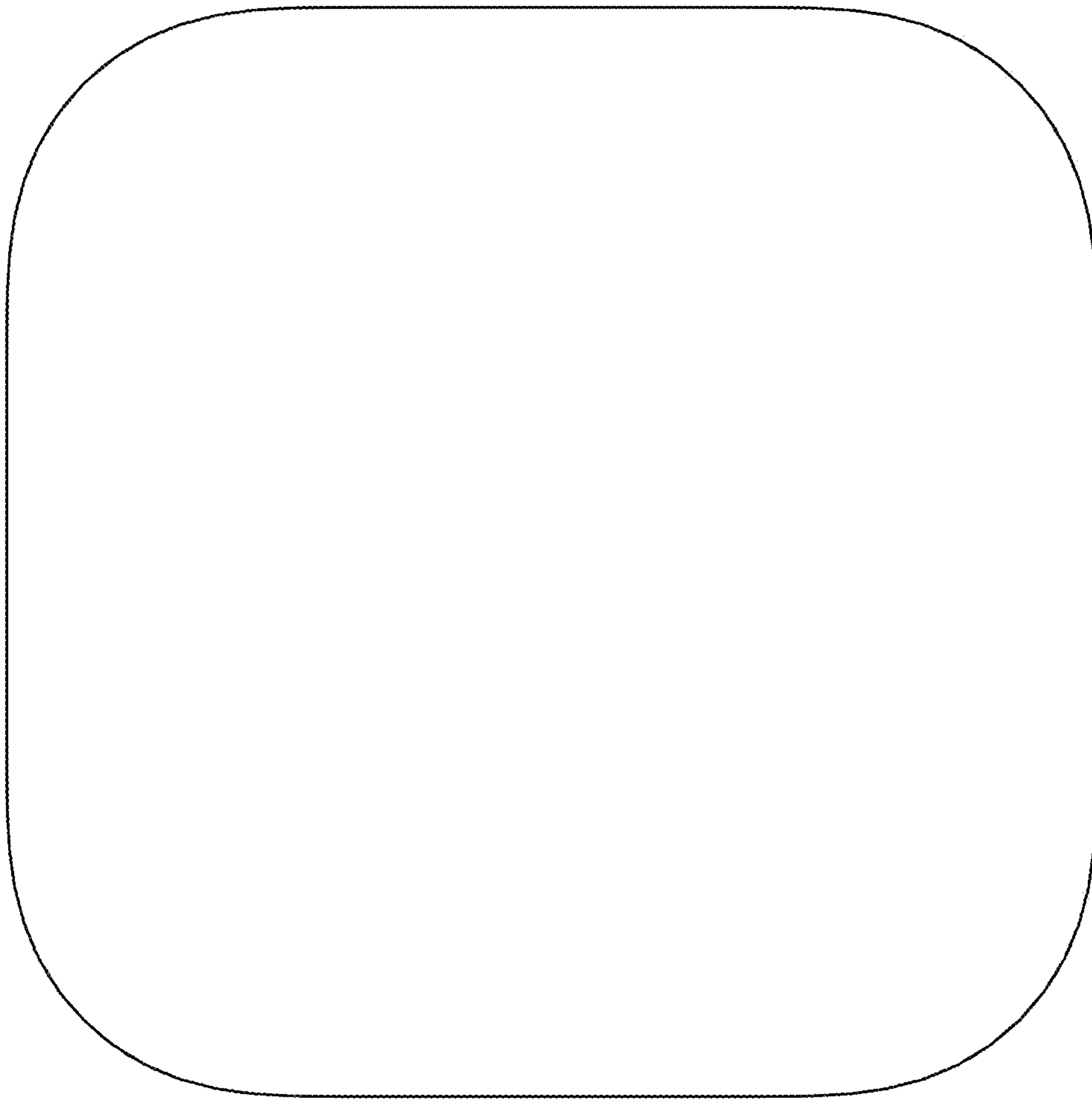


FIG. 3

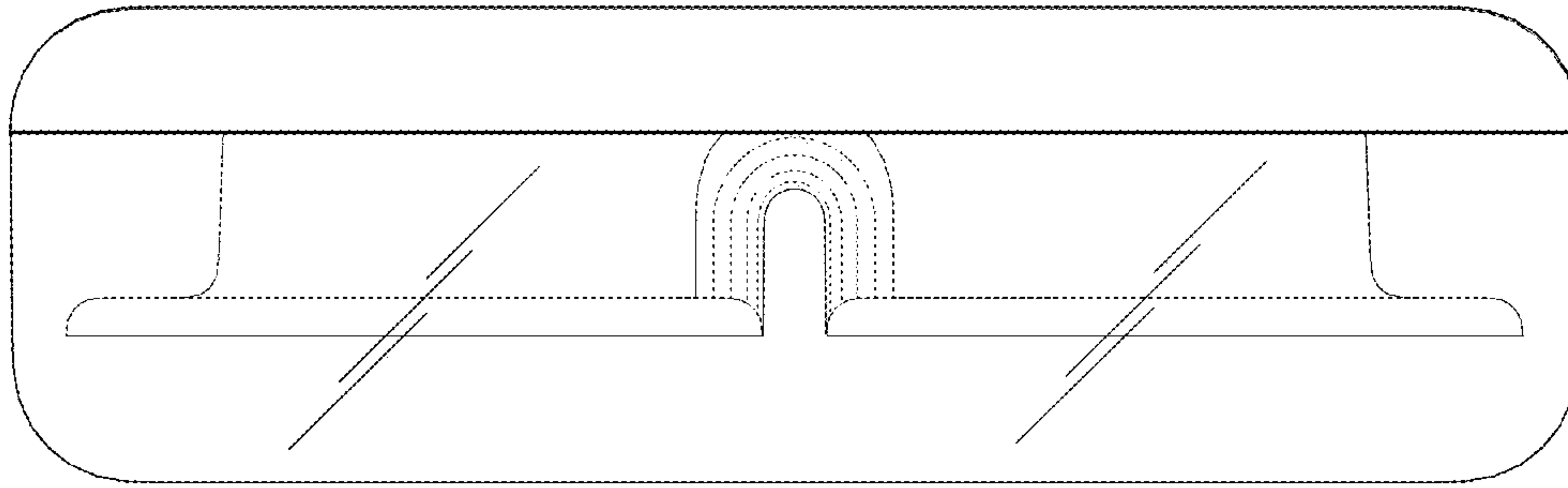


FIG. 4

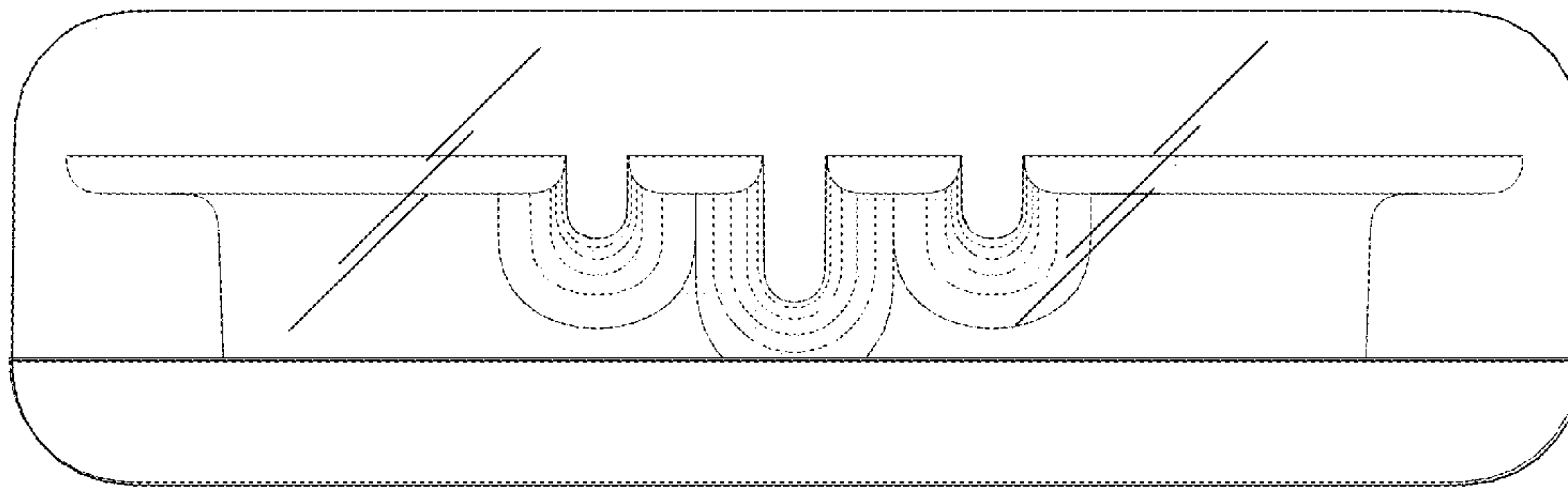


FIG. 5

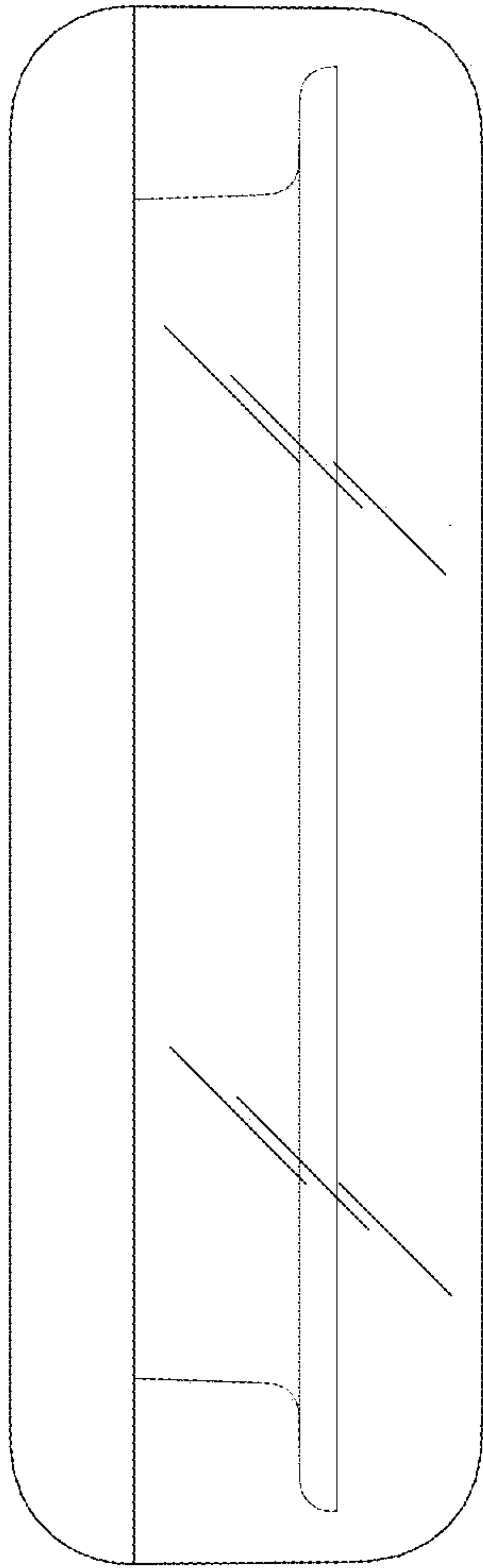


FIG. 6

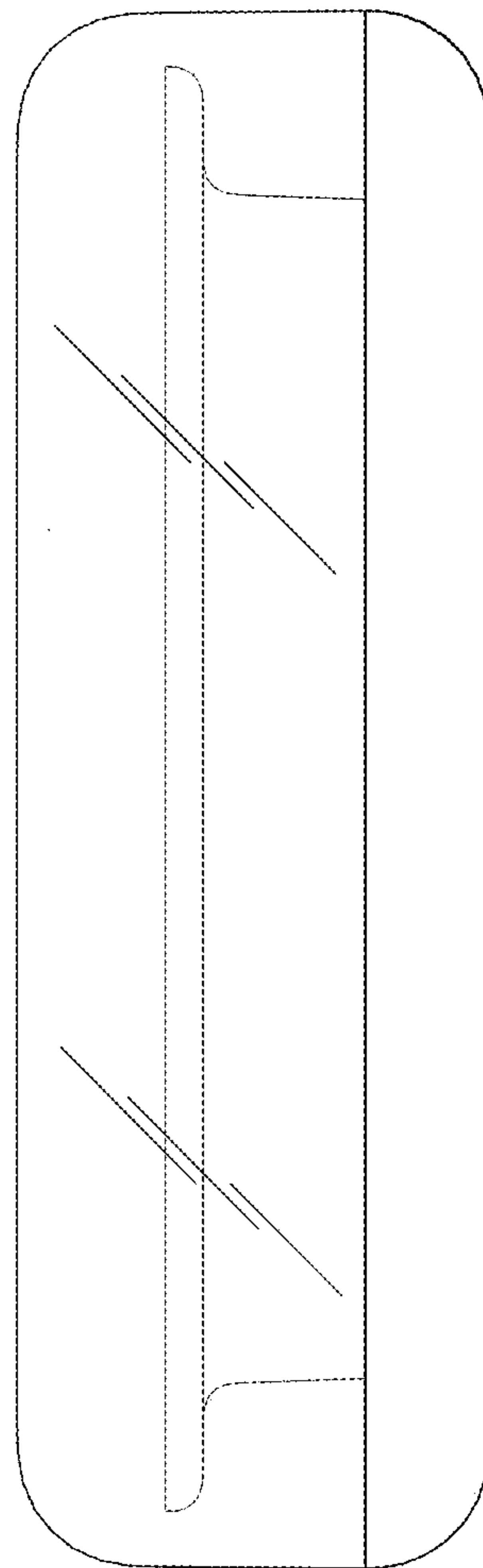


FIG. 7

UNITED STATES PATENT AND TRADEMARK OFFICE
CERTIFICATE OF CORRECTION

PATENT NO. : D876,242 S
APPLICATION NO. : 29/664982
DATED : February 25, 2020
INVENTOR(S) : Akana et al.

Page 1 of 1

It is certified that error appears in the above-identified patent and that said Letters Patent is hereby corrected as shown below:

On the Title Page

In the Related U.S. Application Data item (63), Lines 1 and 2, replace:

“Continuation of application No. 29/617,038, filed on Sep. 11, 2017, now Pat. No. Des. 821,551,”

With:

-- Continuation of application No. 29/617,038, filed on Sep. 11, 2017, now Pat. No. Des. 829,551,” --

In the Attorney, Agent, or Firm item (74), replace:

“Sterne, Kessler, Goldstein & Fox P.L.L.C.”

With:

-- Sterne, Kessler, Goldstein & Fox P.L.L.C. --

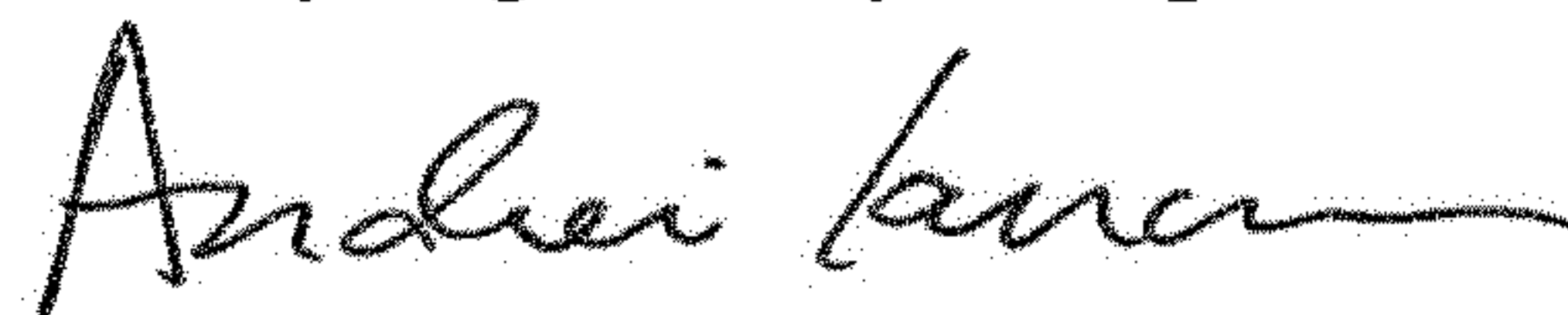
In the Description item (57), Lines 1 and 2, replace:

“FIG. 1 is a top perspective view of packaging, showing the claimed design;”

With:

-- FIG. 1 is a top perspective view of packaging showing the claimed design; --

Signed and Sealed this
Twenty-eighth Day of April, 2020



Andrei Iancu
Director of the United States Patent and Trademark Office