



US00D876239S

(12) **United States Design Patent** (10) **Patent No.:** **US D876,239 S**  
**Yu et al.** (45) **Date of Patent:** **\*\* \*Feb. 25, 2020**

(54) **FLAT-BOTTOMED, SIDE-GUSSETED PRODUCE POUCH**

(56) **References Cited**

(71) Applicants: **Xiaowei Duke Yu**, Oakville (CA);  
**Philip D. Beach, III**, Southbury, CT  
(US)

U.S. PATENT DOCUMENTS

(72) Inventors: **Xiaowei Duke Yu**, Oakville (CA);  
**Philip D. Beach, III**, Southbury, CT  
(US)

1,355,353 A	10/1920	Pease
3,537,360 A	11/1970	Farnam
D258,204 S	2/1981	Rudenschold
D263,899 S	4/1982	Lynn
D278,974 S	5/1985	Ray
D319,780 S	9/1991	Laaki
5,265,961 A	11/1993	Boyd
5,741,076 A	4/1998	Cammack
D394,604 S	5/1998	Cammack
5,882,120 A	3/1999	Bell
6,024,489 A	2/2000	Fox et al.
6,416,220 B1	7/2002	Fox et al.
6,626,570 B2	9/2003	Fox et al.

(\*) Notice: This patent is subject to a terminal disclaimer.

(\*\*) Term: **15 Years**

(Continued)

(21) Appl. No.: **29/654,023**

Primary Examiner — Abraham Bahta

(22) Filed: **Jun. 20, 2018**

(74) Attorney, Agent, or Firm — Thomas P. O'Connell;  
O'Connell Law Firm

(51) **LOC (12) Cl.** ..... **09-05**

(52) **U.S. Cl.**  
USPC ..... **D9/709**

(57) **CLAIM**

(58) **Field of Classification Search**

We claim the ornamental design for a flat-bottomed, side-gusseted produce pouch, as shown and described.

USPC ..... D9/702-714, 414-415, 418-419,  
D9/430-431, 434, 424, 631, 737, 560;  
206/236, 242, 286-287, 260, 271, 273;  
211/85.3; 229/103.2, 87.01, 116.1, 87.05,  
229/87.19, 117.12, 100; 150/100, 107,  
150/112, 118; D27/186-191, 183;  
D3/273, 299-301, 232, 276, 295, 303,  
D3/226, 240, 315, 203.1; 383/105-114,  
383/121.1, 33, 200, 61.1, 42, 119-120;  
D24/118, 121; 426/106; 222/92, 107,  
222/215

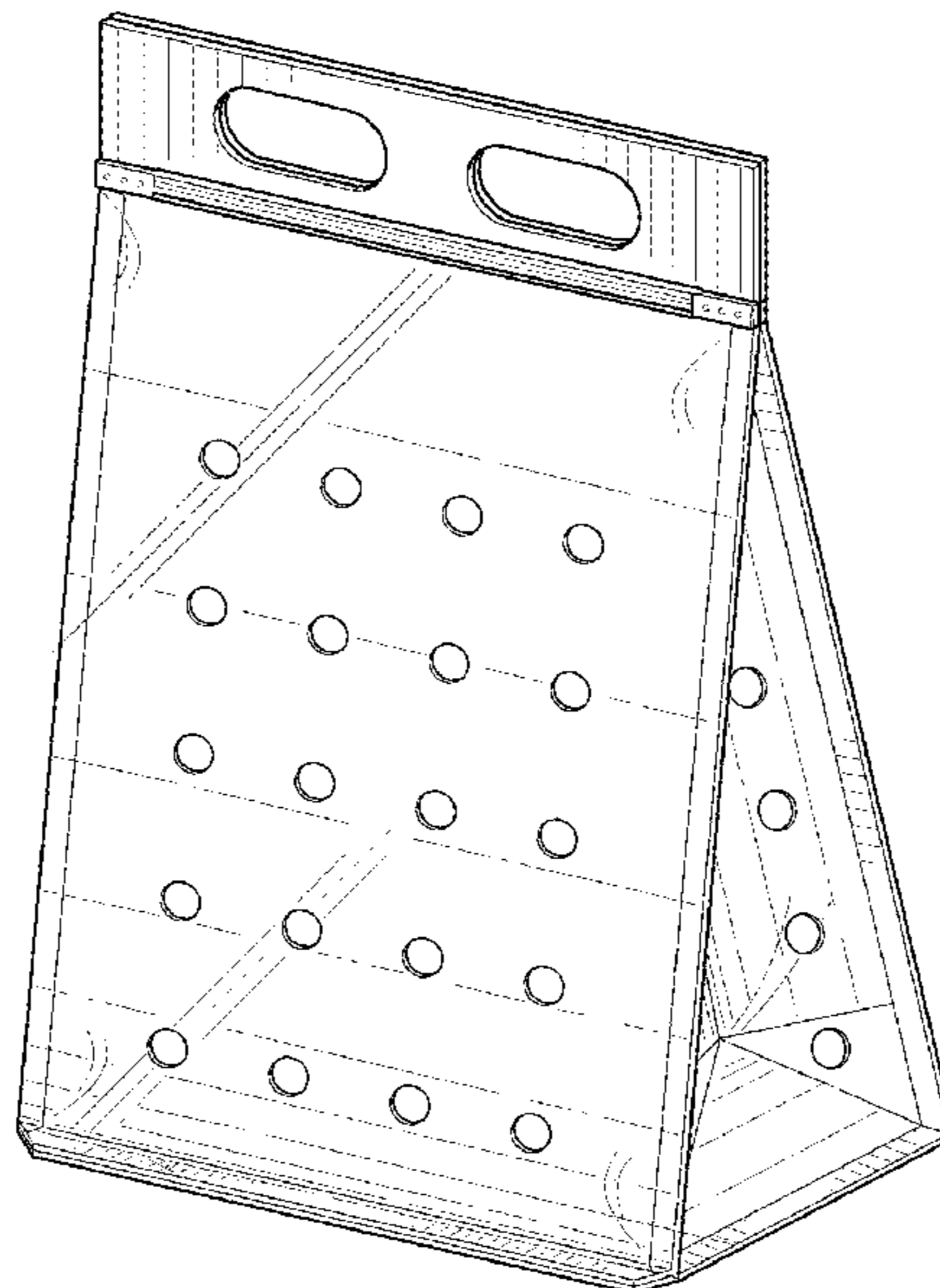
CPC ..... A45C 1/02; B65D 81/00; B65D 65/38;  
B65D 65/02; B65D 65/00; B65D 33/00;  
B65D 33/01; B65D 33/04; B65D 33/06;  
B65D 33/12; B65D 33/16; B65D 33/10;  
B65D 33/2591

**DESCRIPTION**

FIG. 1 is a perspective view of a flat-bottomed, side-gusseted produce pouch according to our invention in a standing configuration;  
FIG. 2 is a front elevation view thereof;  
FIG. 3 is a rear elevation view thereof;  
FIG. 4 is a right side view thereof;  
FIG. 5 is a left side view thereof;  
FIG. 6 is a bottom plan view thereof;  
FIG. 7 is a top plan view thereof;  
FIG. 8 is a perspective view thereof in a folded configuration;  
FIG. 9 is a perspective view thereof in a folded, standing configuration; and,  
FIG. 10 is a perspective view thereof in an open, standing configuration.

See application file for complete search history.

**1 Claim, 9 Drawing Sheets**



(56)

**References Cited**

U.S. PATENT DOCUMENTS

6,974,406	B2	12/2005	Antonacci	
7,163,339	B1	1/2007	Hefner	
D544,369	S	6/2007	Liu	
D548,458	S	8/2007	Gregson, III et al.	
D592,074	S	5/2009	Johnson	
D600,135	S	9/2009	Valentine et al.	
7,798,715	B2	9/2010	Hefner	
D665,269	S	8/2012	Robitaille	
D684,369	S	6/2013	Daigle et al.	
D715,158	S *	10/2014	Chen .....	D9/707
D719,035	S	12/2014	Martin et al.	
D720,237	S	12/2014	Maglio, Jr.	
D747,219	S	1/2016	Yu et al.	
D764,940	S *	8/2016	Garcia .....	D9/703
D779,972	S *	2/2017	Yu .....	D9/709
D794,474	S *	8/2017	Pape .....	D9/710
D833,299	S *	11/2018	Han .....	D9/707

\* cited by examiner

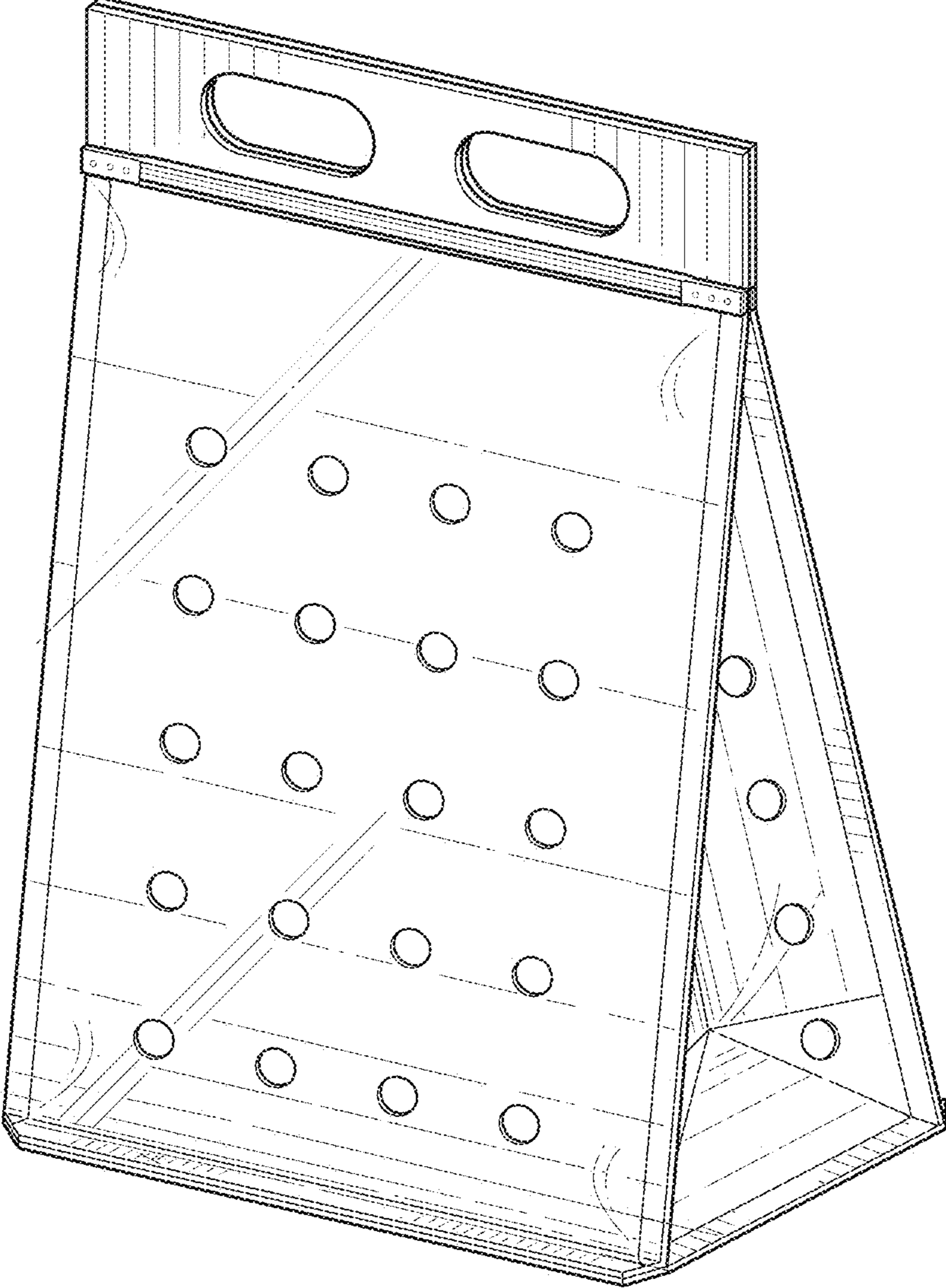


FIG. 1

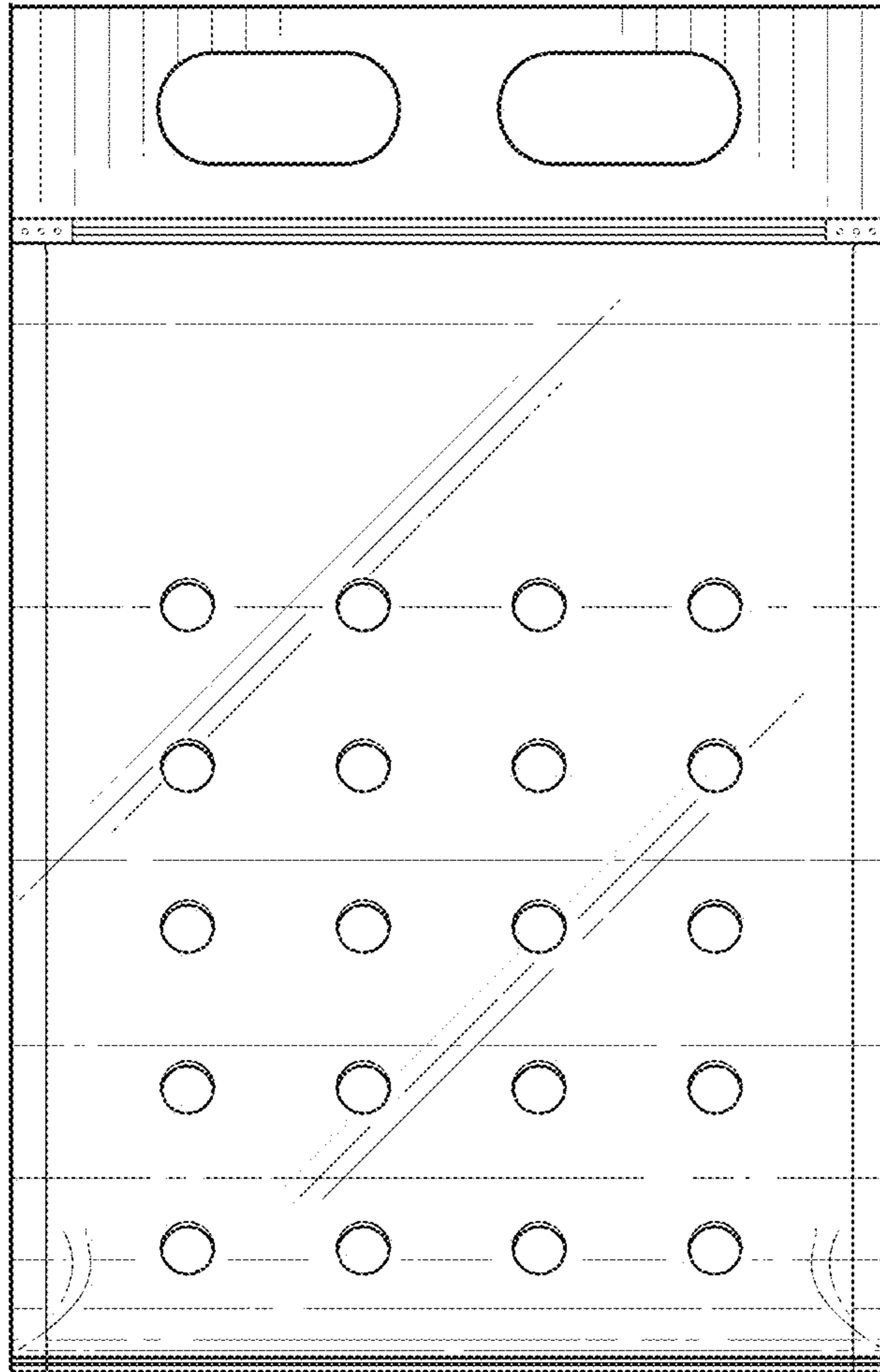


FIG. 2

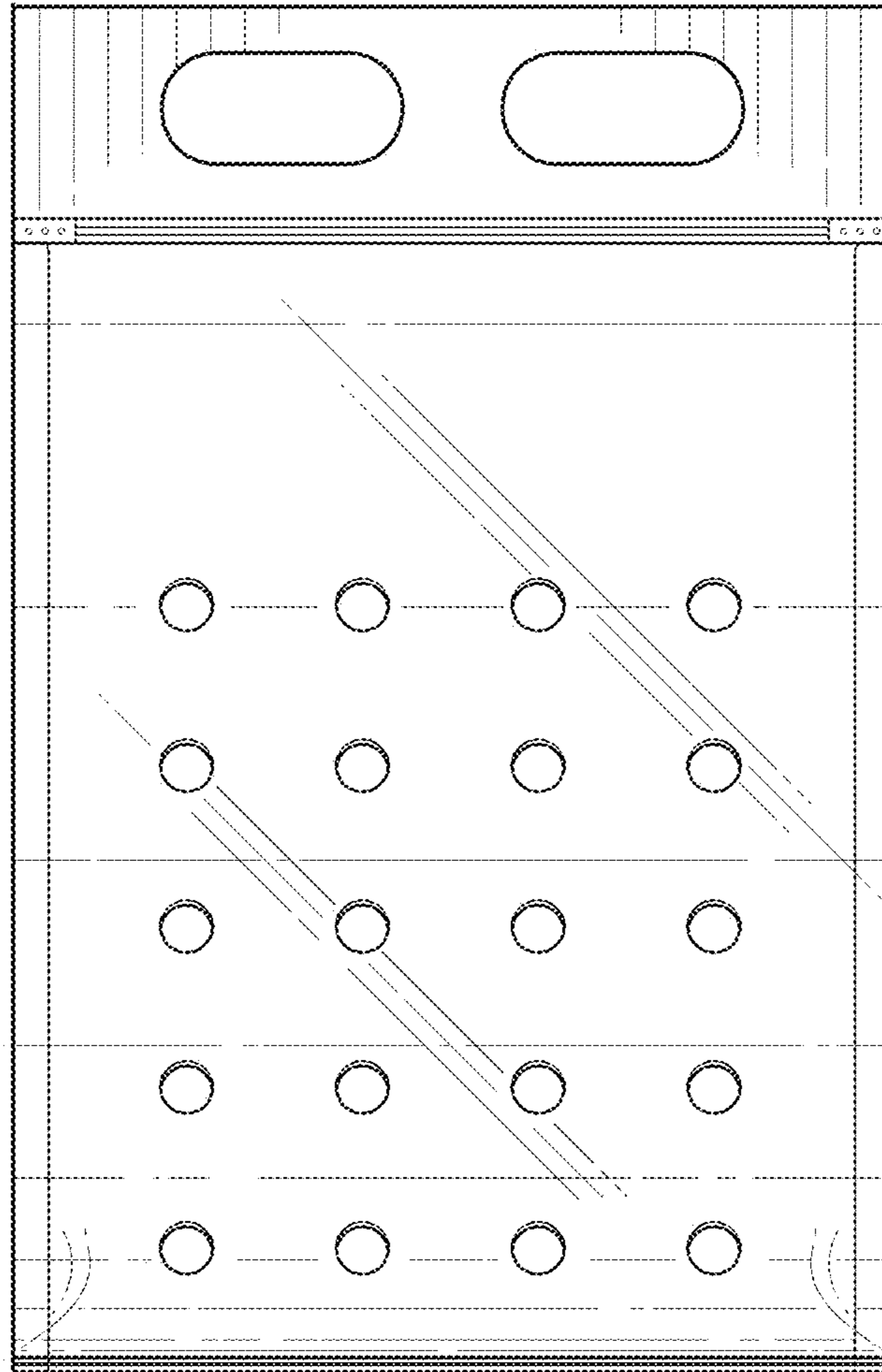


FIG. 3

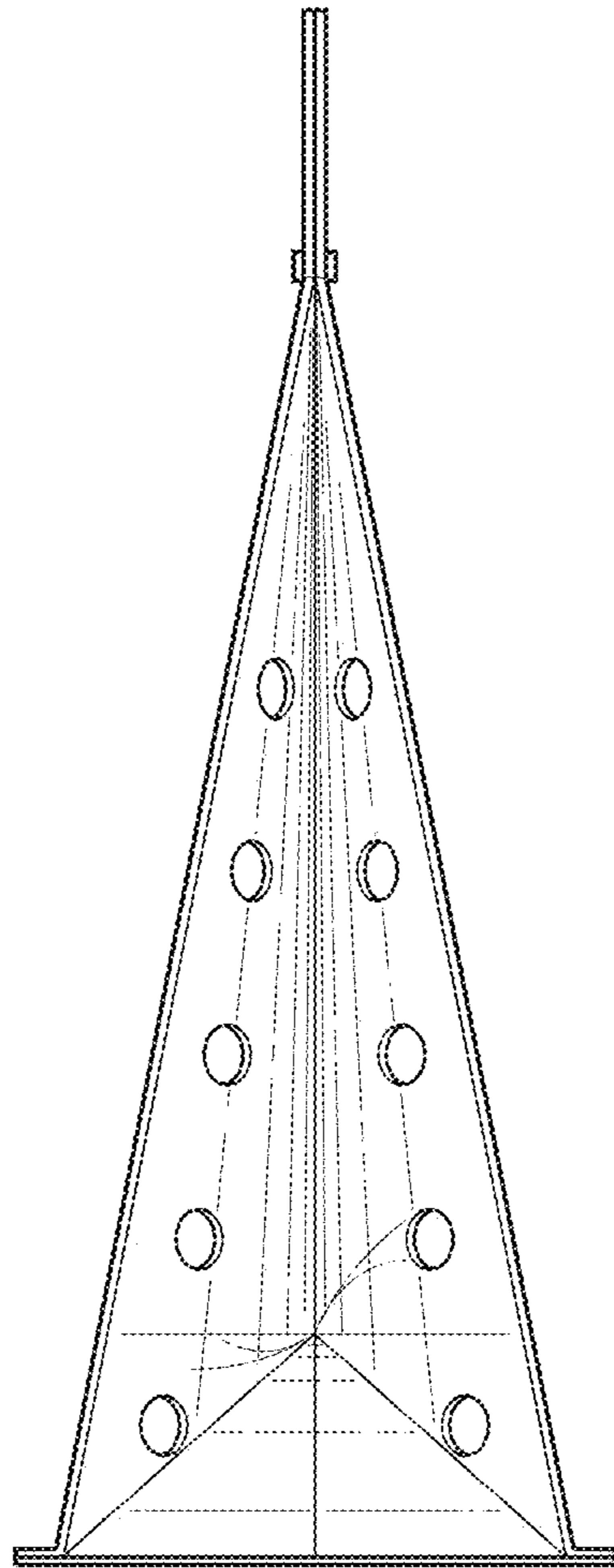


FIG. 4

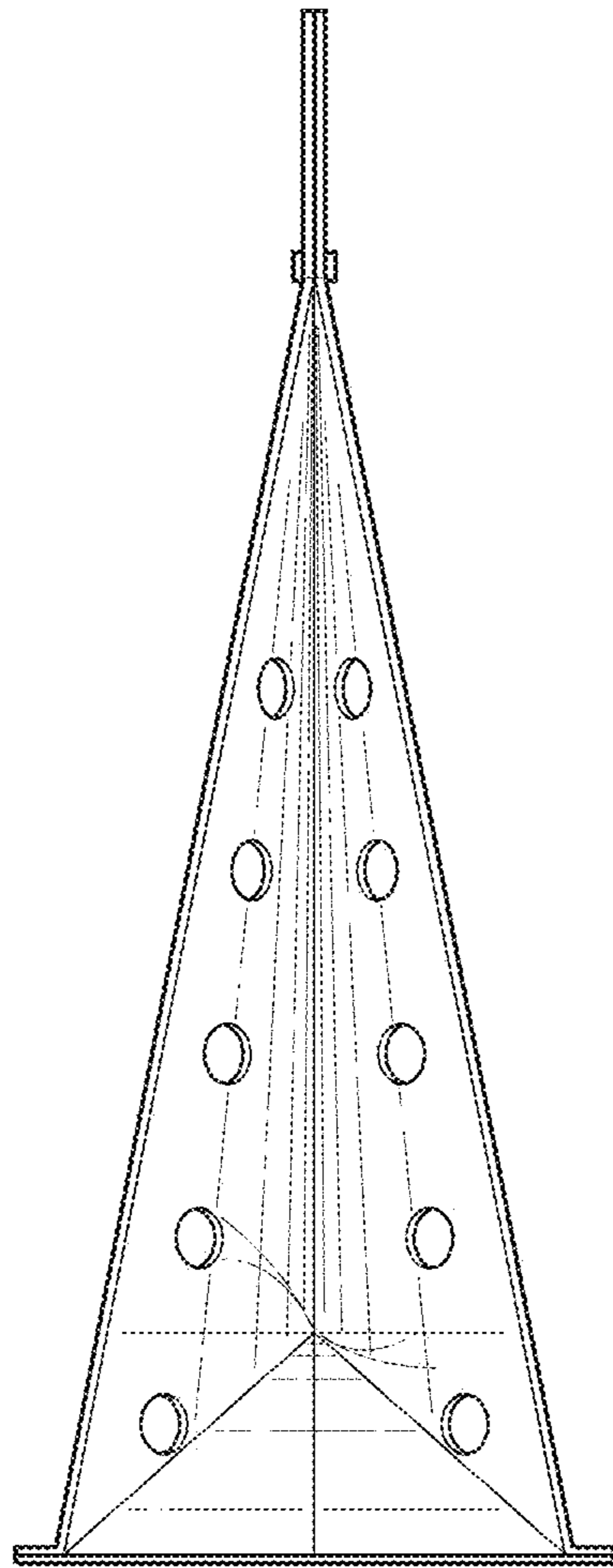


FIG. 5

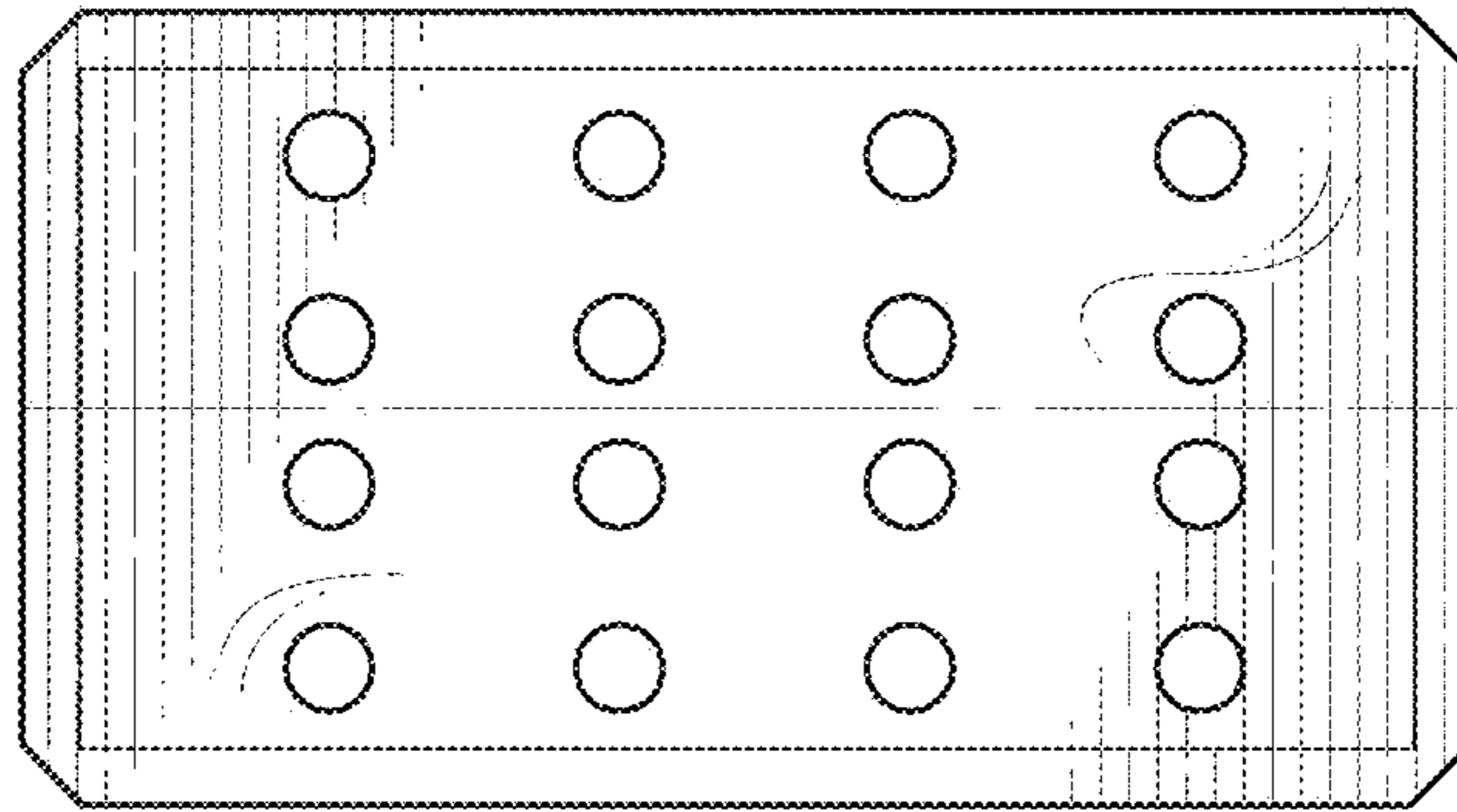


FIG. 6

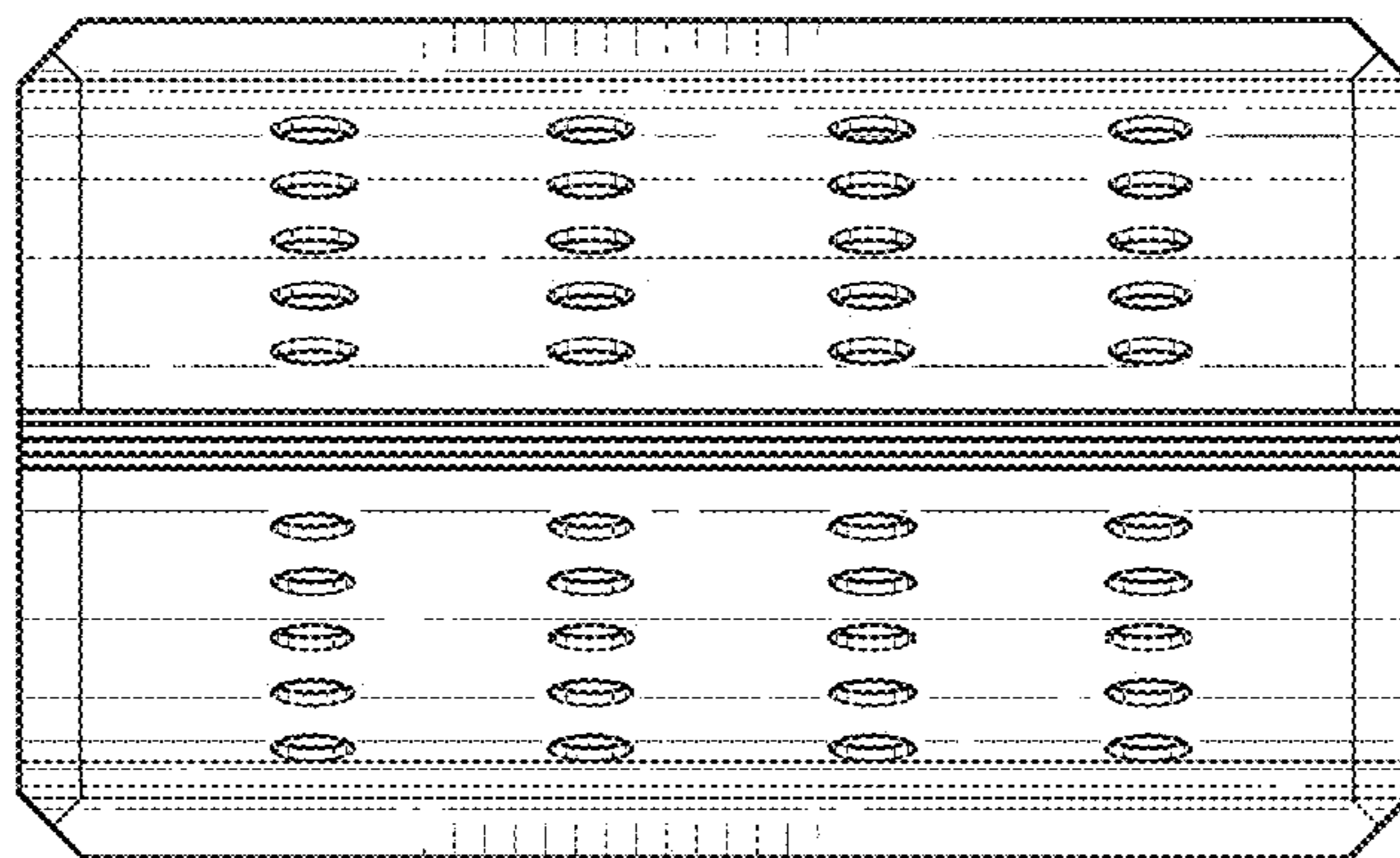


FIG. 7



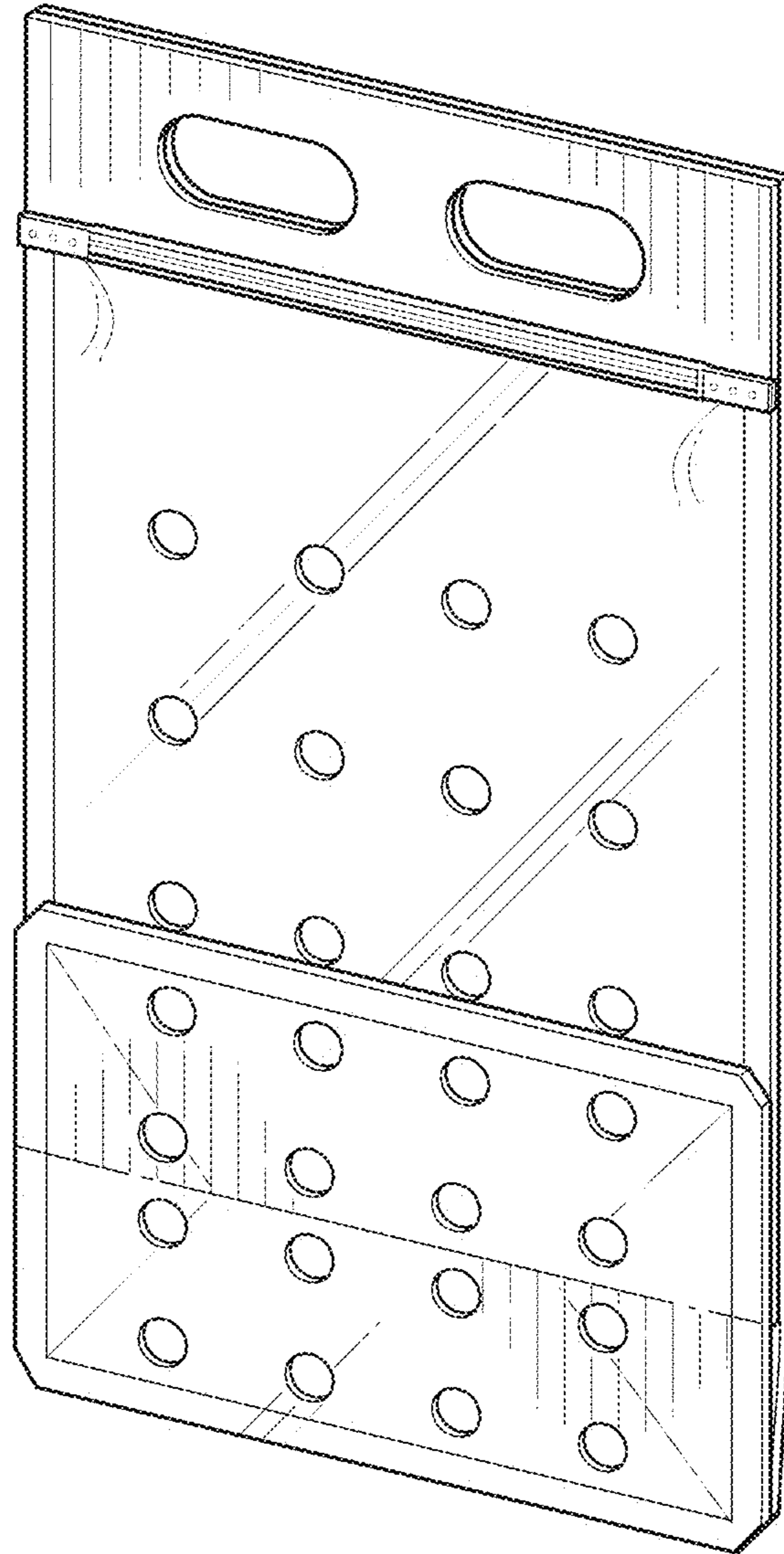


FIG. 8

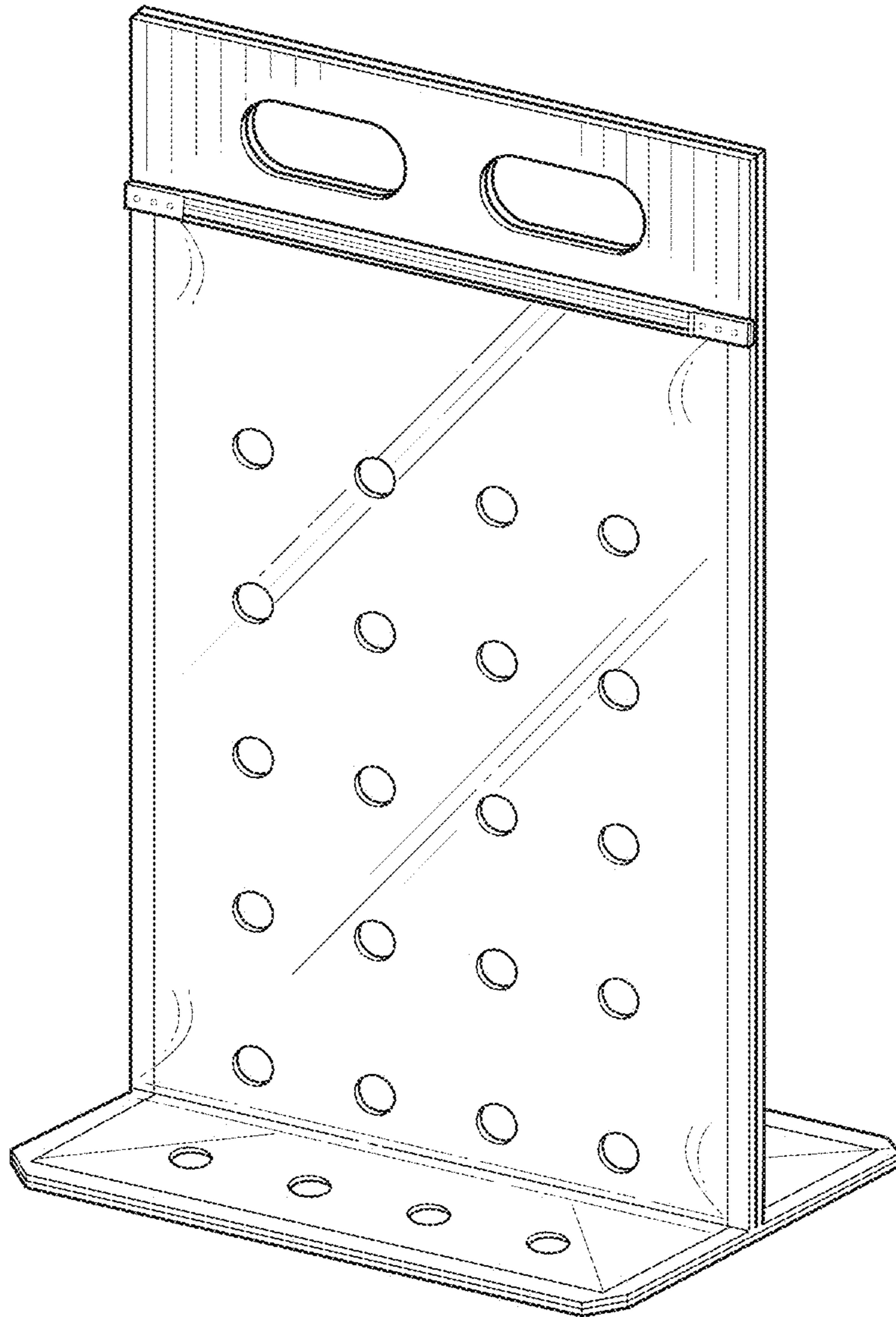


FIG. 9

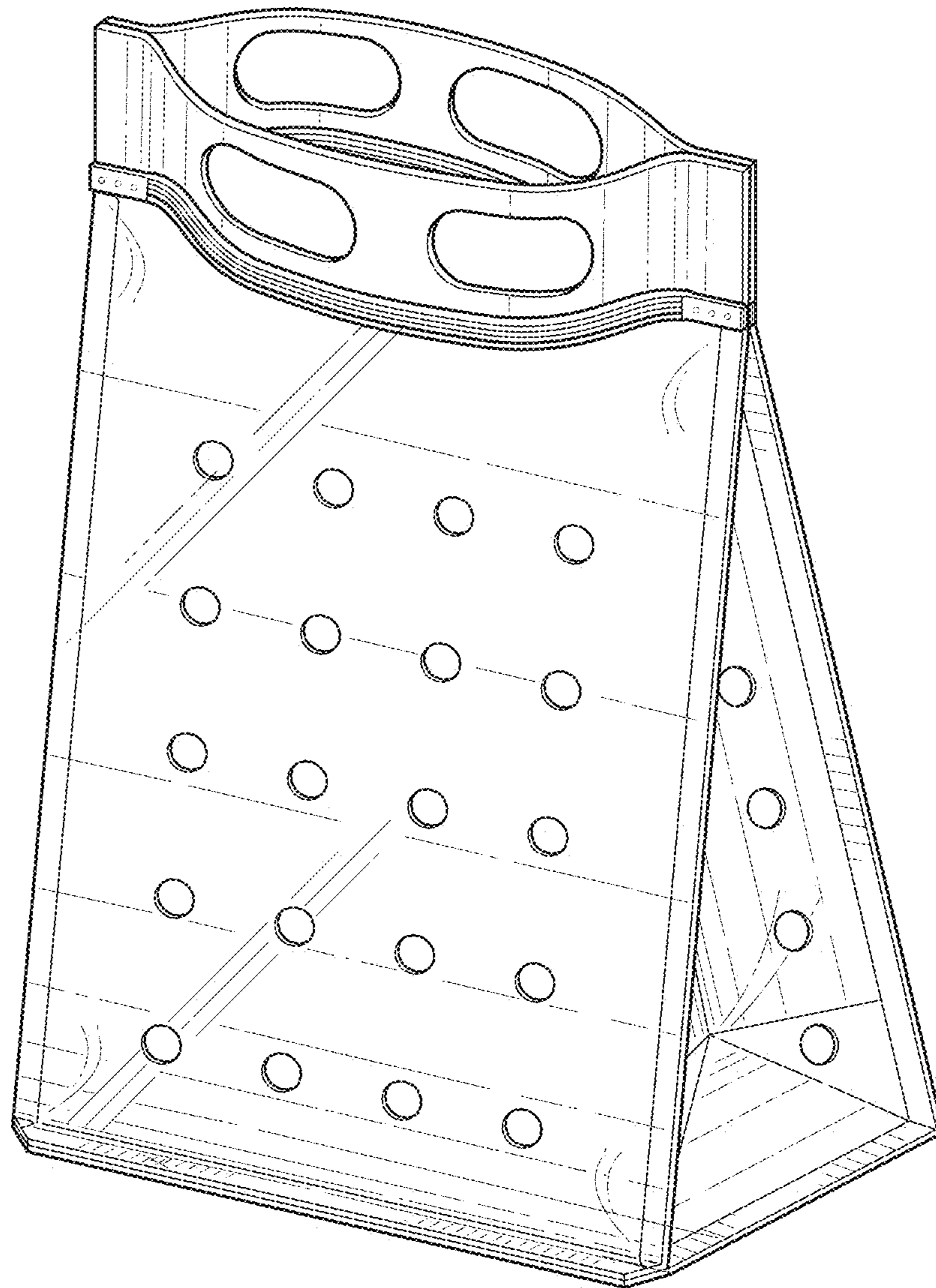


FIG. 10