



US00D876237S

(12) **United States Design Patent** (10) **Patent No.:** **US D876,237 S**  
**Rust et al.** (45) **Date of Patent:** **\*\* Feb. 25, 2020**

(54) **CAP FOR A CONTAINER**  
(71) Applicant: **3M INNOVATIVE PROPERTIES COMPANY**, St. Paul, MN (US)  
(72) Inventors: **Michael J. Rust**, Volga, SD (US);  
**Patrick R. McKellips**, Stillwater, MN (US)  
(73) Assignee: **3M Innovative Properties Company**, St. Paul, MN (US)  
(\*\*) Term: **15 Years**

(56) **References Cited**  
U.S. PATENT DOCUMENTS  
D283,492 S \* 4/1986 Nitsch ..... D9/436  
D368,032 S \* 3/1996 Couto ..... D9/435  
D380,678 S \* 7/1997 Borgstede ..... D9/440  
D395,255 S \* 6/1998 Kothari ..... D11/26  
D402,202 S 12/1998 Sherman et al.  
D471,808 S \* 3/2003 de Castro Couto ..... D9/435  
D523,770 S \* 6/2006 Arlanda ..... D11/26  
D560,537 S \* 1/2008 McKenzie ..... D11/26  
D592,054 S \* 5/2009 Floyd ..... D9/435  
D609,565 S \* 2/2010 Floyd ..... D9/435  
(Continued)

(21) Appl. No.: **29/670,436**  
(22) Filed: **Nov. 15, 2018**

FOREIGN PATENT DOCUMENTS  
EM 000451851-0001 12/2005  
20060214  
JP 1596737 2/2018  
(Continued)

**Related U.S. Application Data**

(62) Division of application No. 29/627,060, filed on Nov. 22, 2017, now Pat. No. Des. 838,166, which is a division of application No. 29/572,732, filed on Jul. 29, 2016, now Pat. No. Des. 812,474.

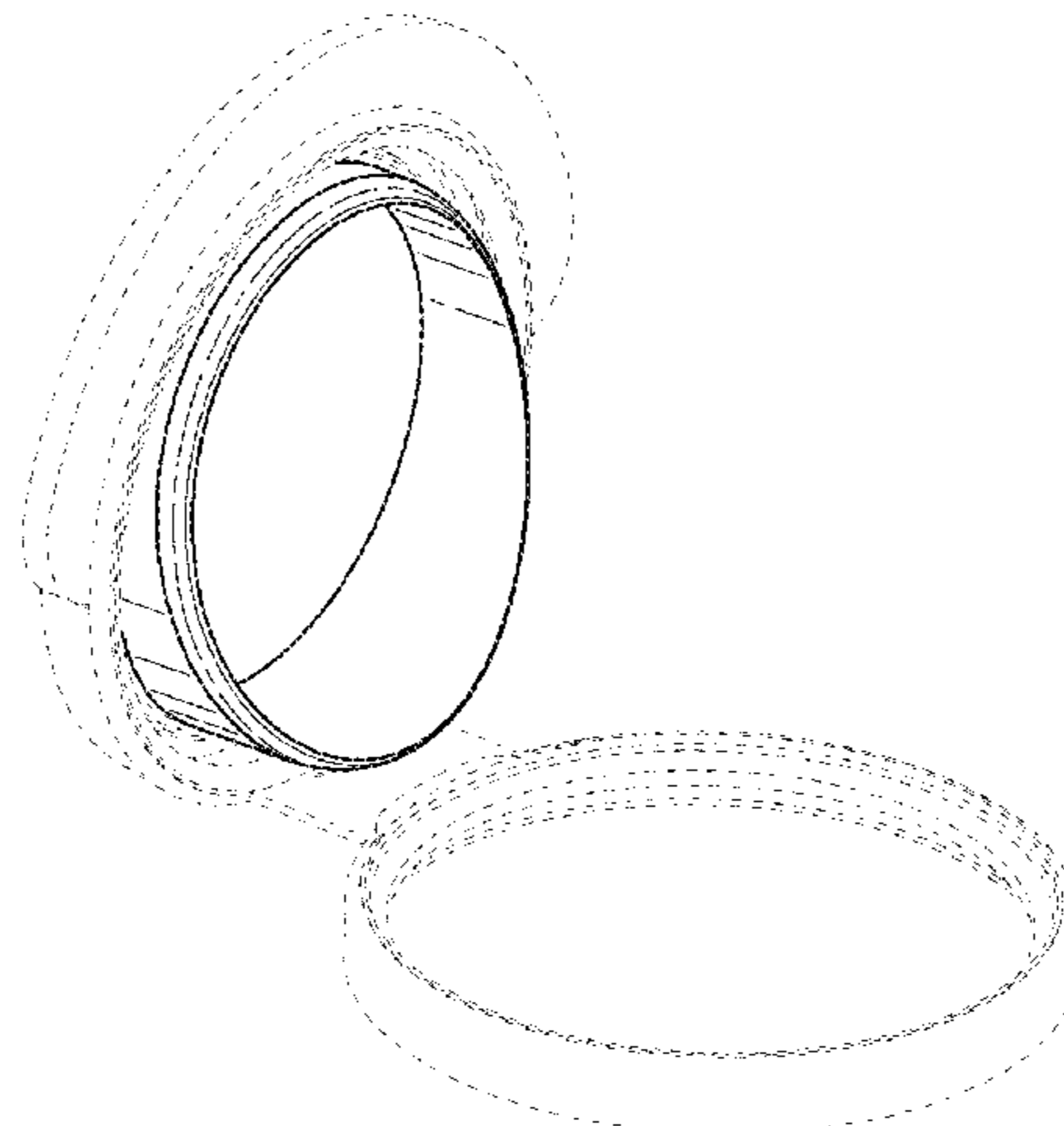
*Primary Examiner* — Darcey E Gottschalk  
(74) *Attorney, Agent, or Firm* — Eric E. Silverman

(51) **LOC (12) Cl.** ..... **09-07**  
(52) **U.S. Cl.**  
USPC ..... **D9/454**; D9/435  
(58) **Field of Classification Search**  
USPC ..... D7/392, 392.1, 396.2, 397, 398, 619.1,  
D7/620, 300.2, 305, 316, 635;  
D9/434-436, 454, 499, 516, 715-719,  
D9/449, 450, 522, 537, 549, 562, 722,  
D9/738, 739, 746, 440, 443, 446-448,  
D9/521; D23/260, 269, 390, 259;  
D3/202, 203.1, 203.2, 203.3, 203.4, 207,  
D3/208, 240, 276, 318; D8/18; D11/3,  
D11/4, 26, 29, 37-39; D20/22, 27;  
D30/152  
CPC ..... B65D 1/0246; B65D 1/0223; B65D 41/02  
See application file for complete search history.

(57) **CLAIM**  
The ornamental design for a cap for a container, as shown and described.

**DESCRIPTION**

FIG. 1 is a perspective view of a cap for a container showing our new design;  
FIG. 2 is a front elevational view thereof;  
FIG. 3 is a rear elevational view thereof;  
FIG. 4 is a left side elevational view thereof and the right side elevational view being a mirror image thereof;  
FIG. 5 is a top plan view thereof;  
FIG. 6 is a bottom plan elevational view thereof; and,  
FIG. 7 is a perspective view of the cap for a container in use.  
(Continued)



In the drawings, the broken lines showing portions of a cap and container depict environment and form no part of the claim.

**1 Claim, 4 Drawing Sheets**

(56) **References Cited**

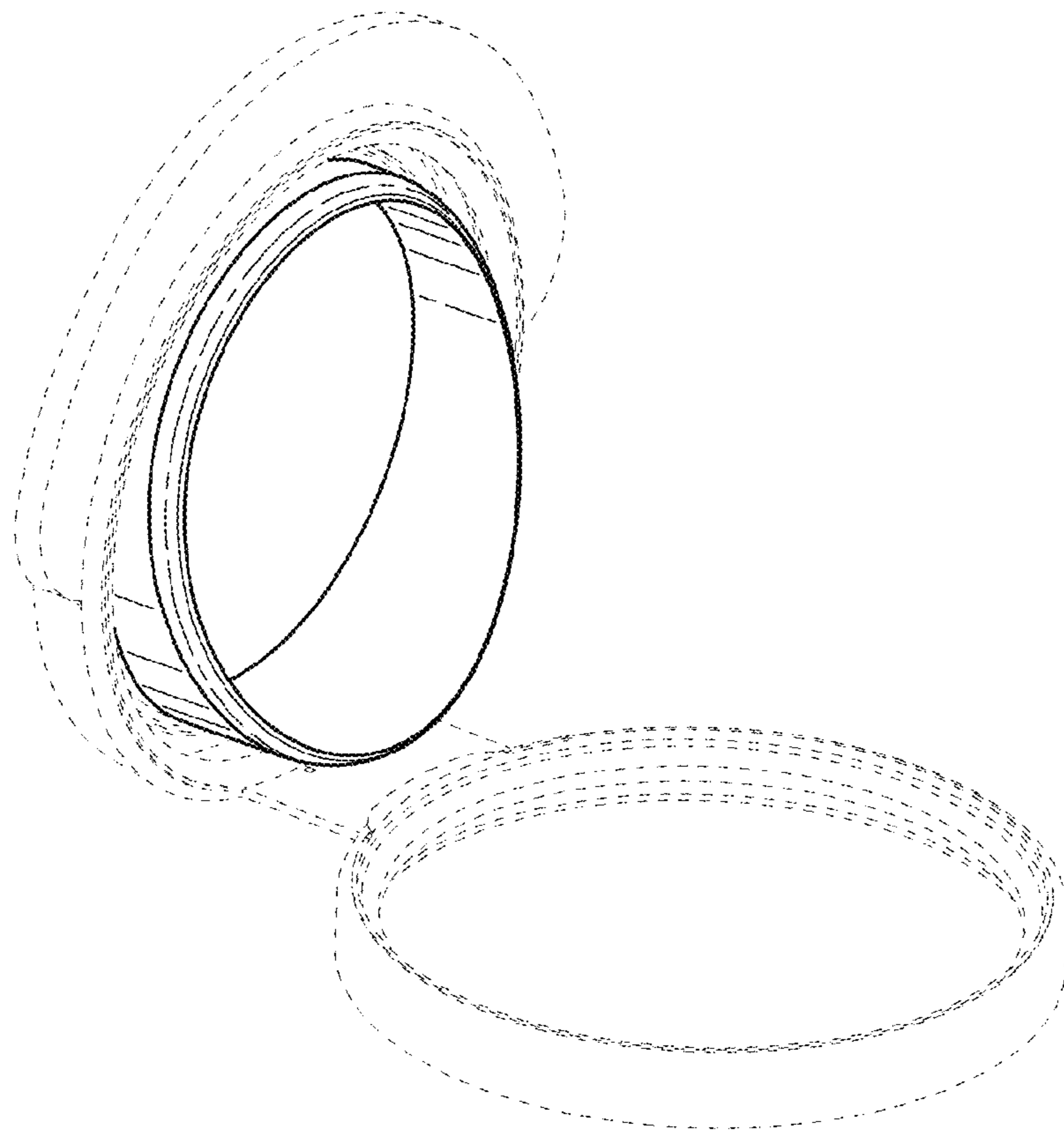
U.S. PATENT DOCUMENTS

D621,266	S	*	8/2010	Smith	.....	D9/516
D646,570	S	*	10/2011	Heidel	.....	D9/454
D686,101	S	*	7/2013	Dailey	.....	D11/26
D730,734	S	*	6/2015	Rapparini	.....	D9/454
D756,773	S	*	5/2016	Brannock	.....	D9/438
D773,883	S	*	12/2016	Elias	.....	D7/392.1
D775,492	S	*	1/2017	Elias	.....	D7/392.1
9,801,969	B2	*	10/2017	Griffis	.....	B65D 51/245
D812,474	S	*	3/2018	Rust	.....	D9/449
D827,363	S	*	9/2018	Matsui	.....	D7/392.1
D828,088	S	*	9/2018	Furieux	.....	D7/396.2
D838,166	S	*	1/2019	Rust	.....	D9/435
D839,732	S	*	2/2019	Tobin	.....	D9/447

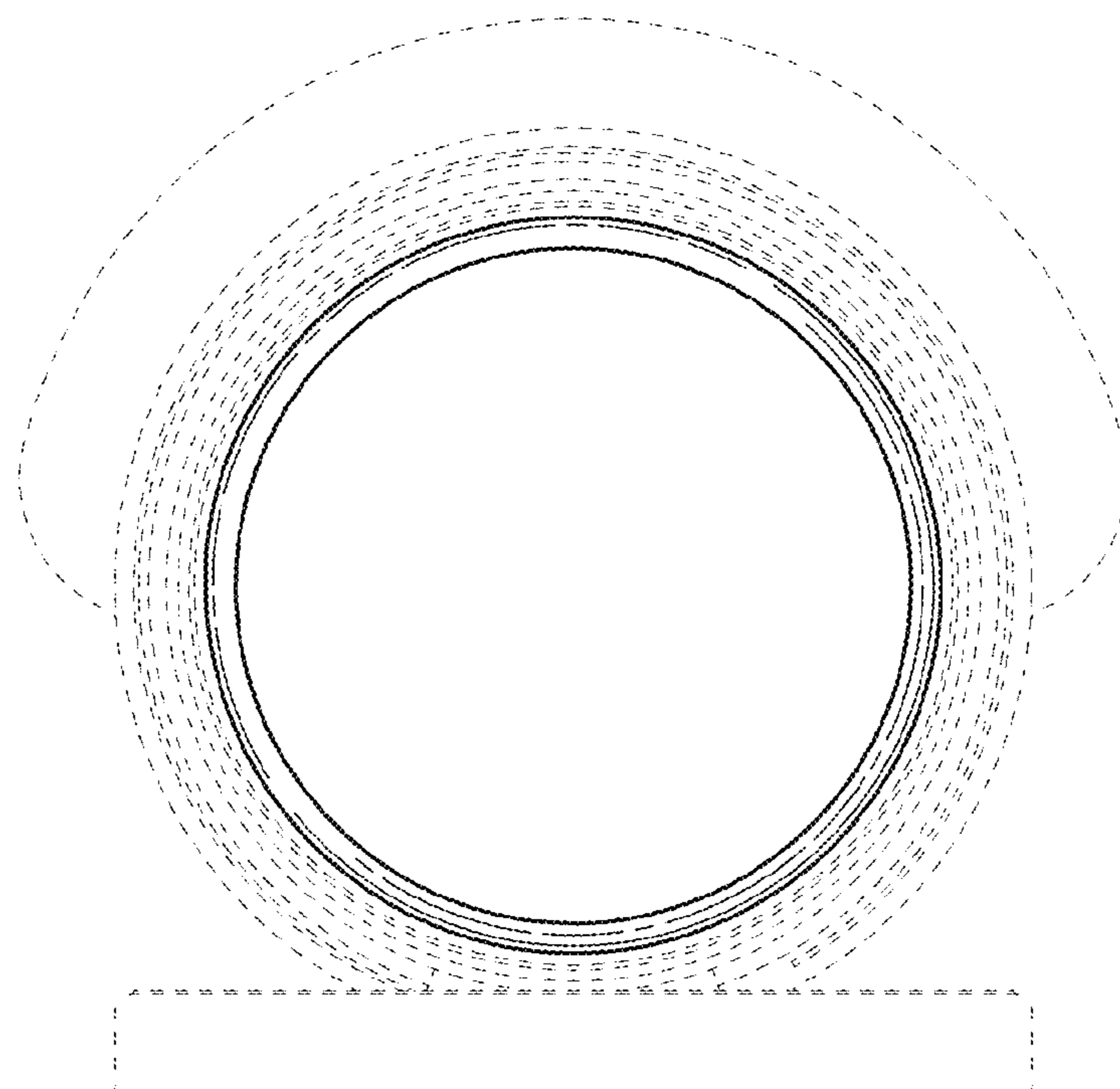
FOREIGN PATENT DOCUMENTS

JP	1615903	10/2018
KR	30-0922-9700001	11/2017
	20171128	

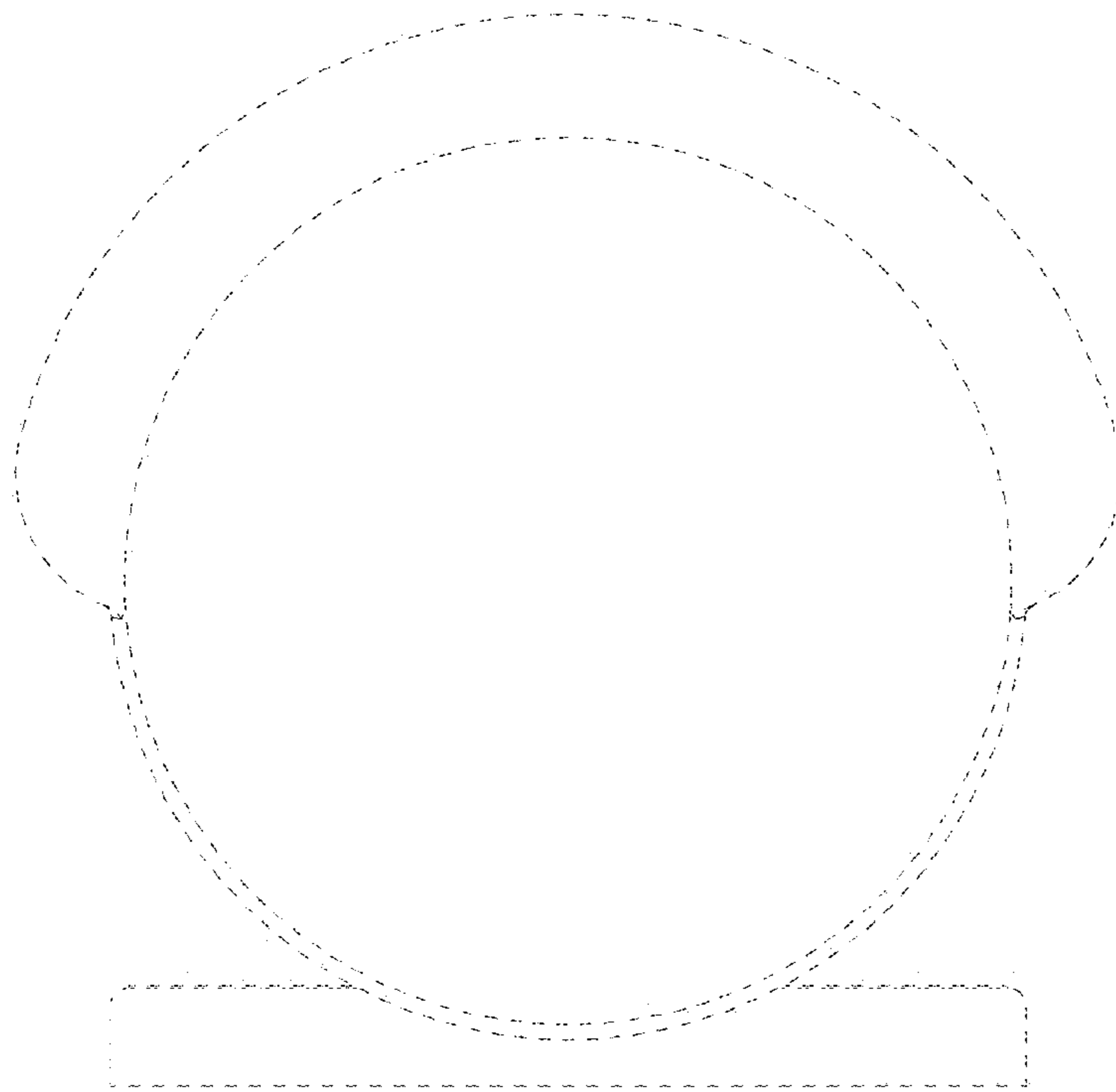
\* cited by examiner



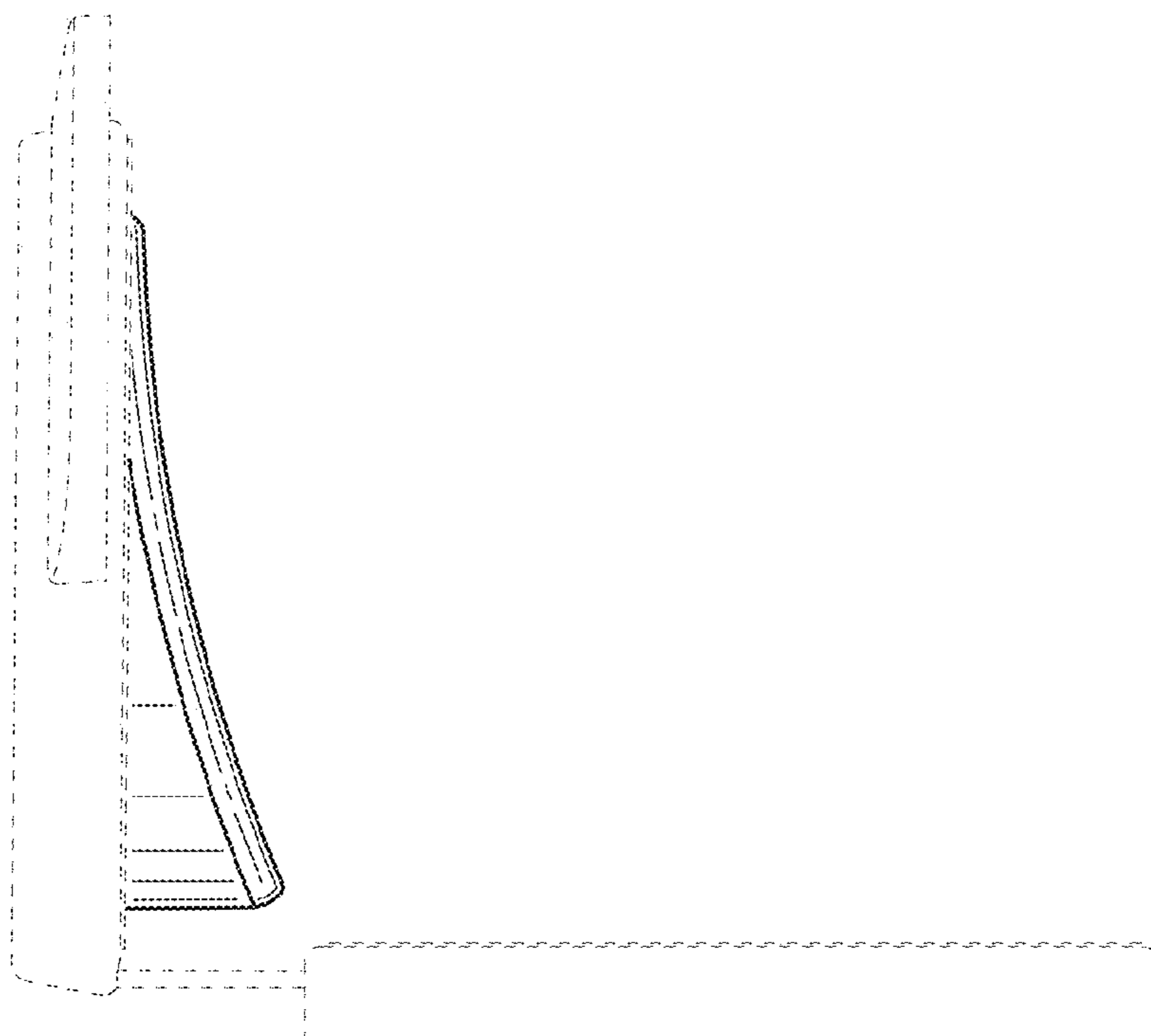
*Fig. 1*



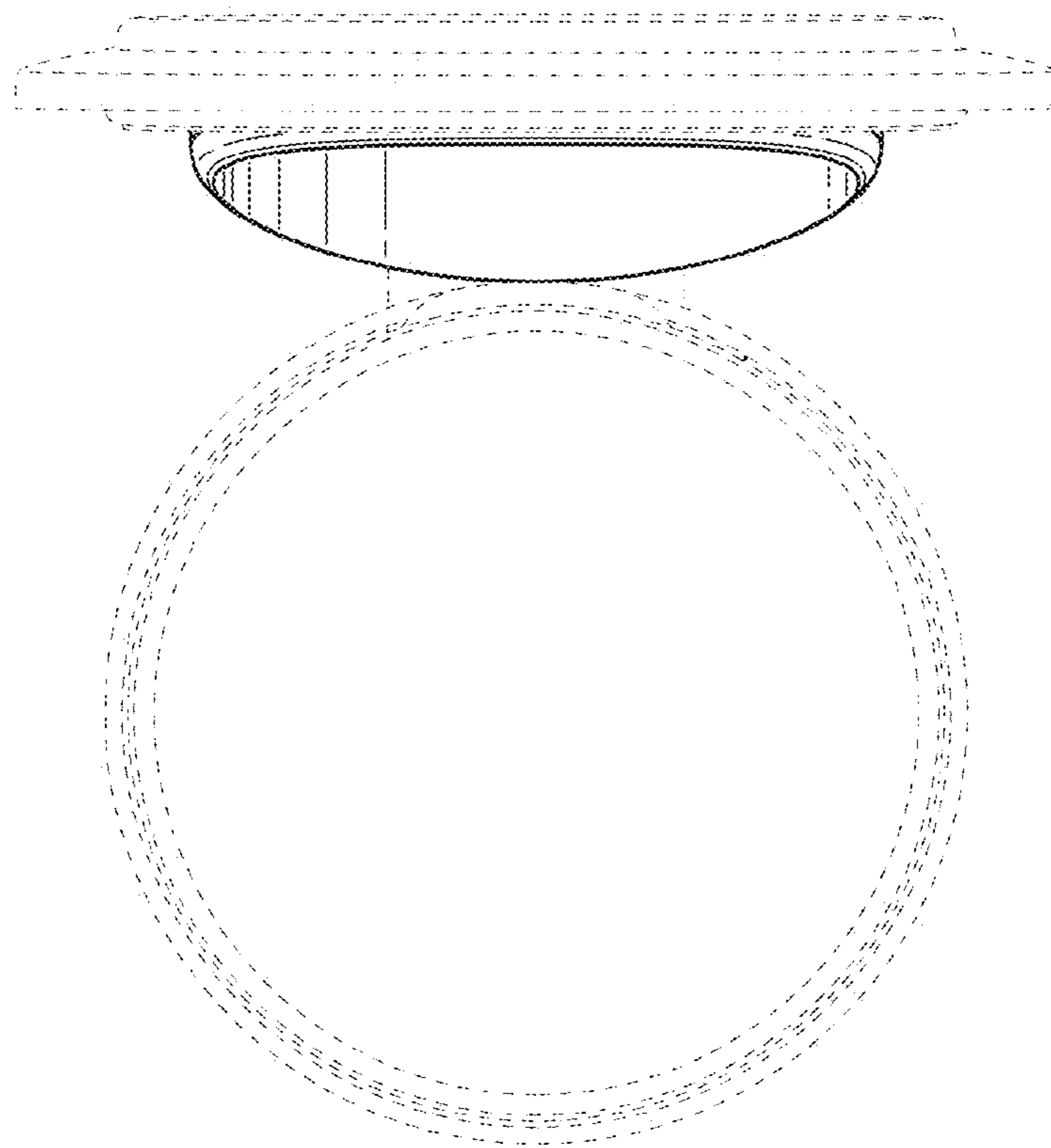
*Fig. 2*



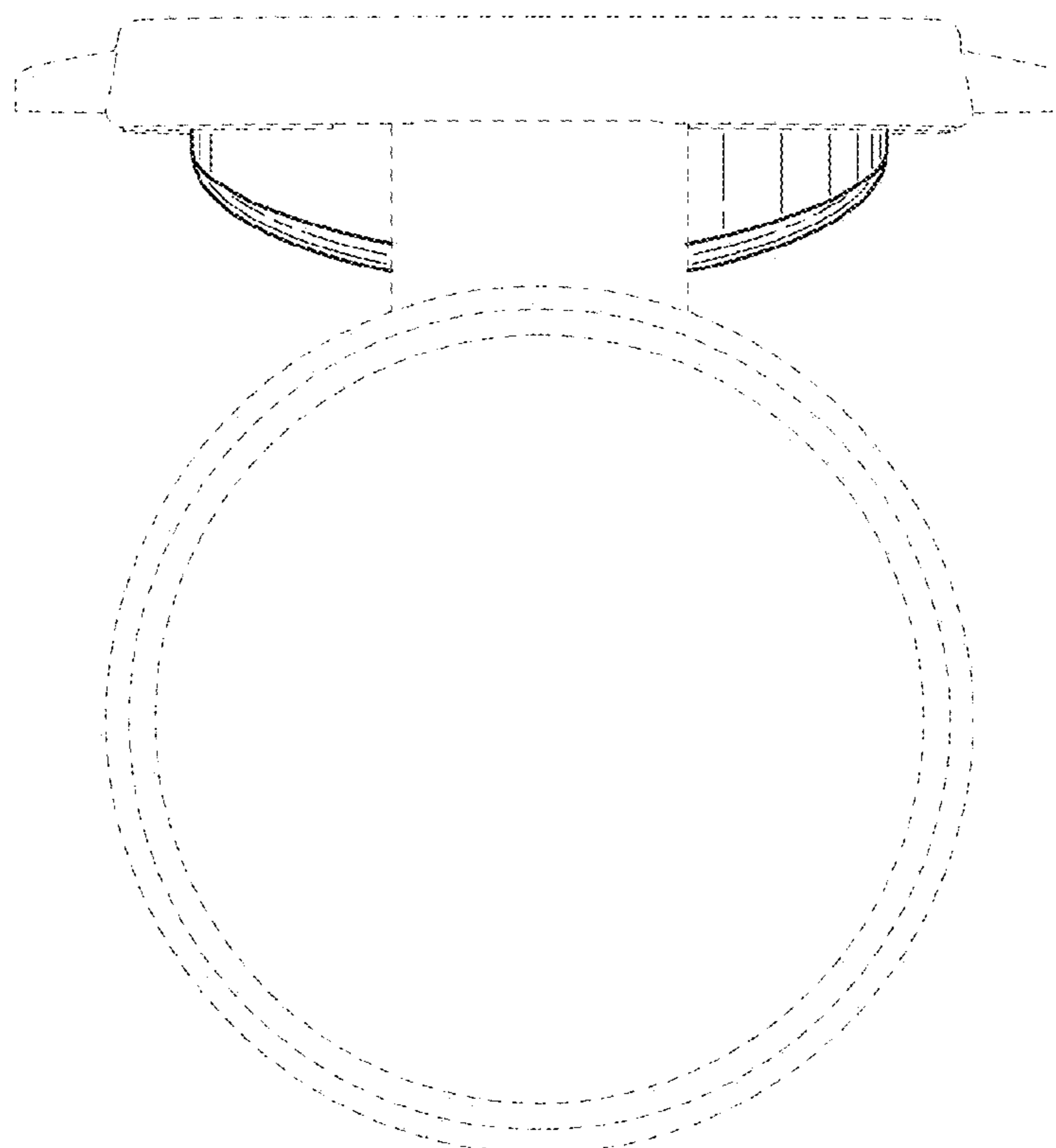
*Fig. 3*



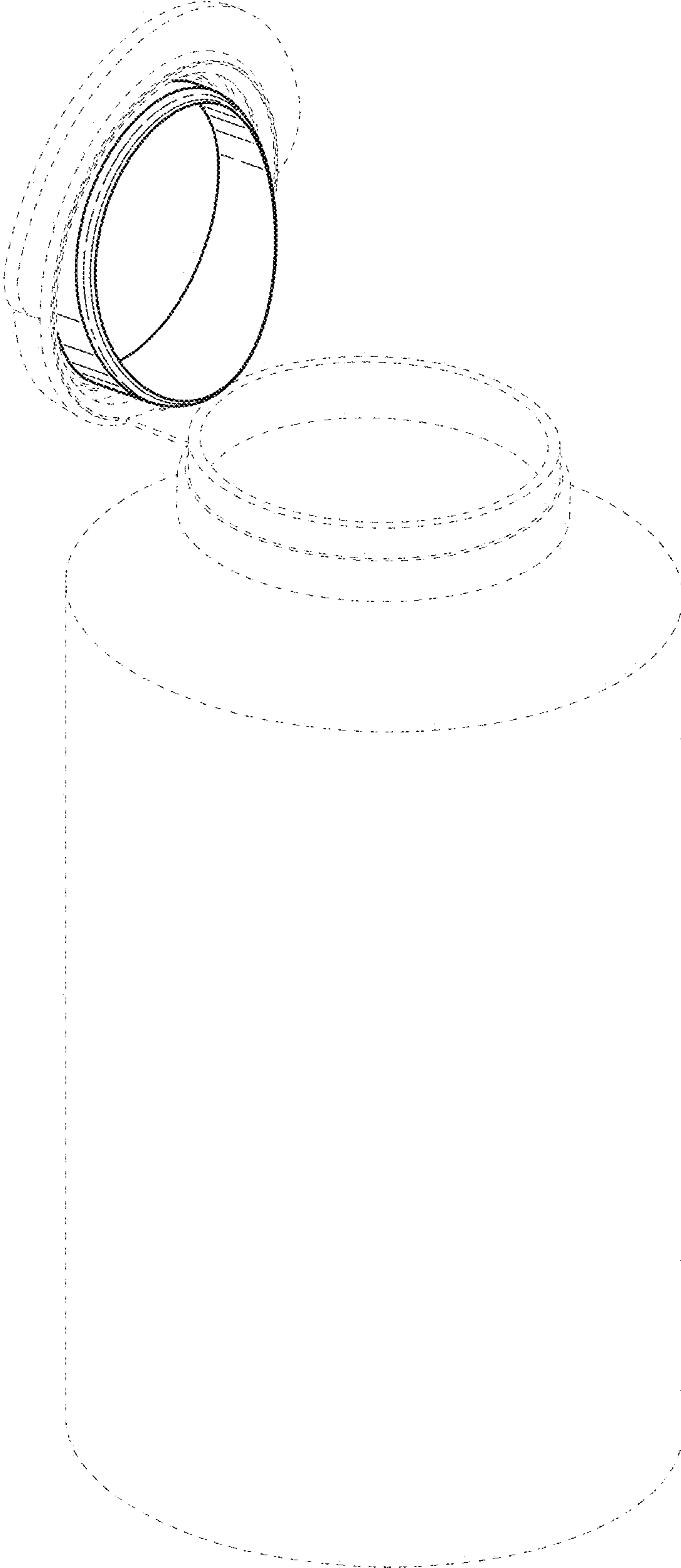
*Fig. 4*



*Fig. 5*



*Fig. 6*



*Fig. 7*