



US00D876236S

(12) **United States Design Patent** (10) **Patent No.:** **US D876,236 S**
Griffis (45) **Date of Patent:** **** Feb. 25, 2020**

- (54) **BOTTLE RING**
- (71) Applicant: **Szent Co.**, Santa Monica, CA (US)
- (72) Inventor: **Shawn Griffis**, La Jolla, CA (US)
- (73) Assignee: **Szent Co.**, Santa Monica, CA (US)
- (**) Term: **15 Years**
- (21) Appl. No.: **29/657,205**
- (22) Filed: **Jul. 19, 2018**

Related U.S. Application Data

- (62) Division of application No. 29/598,879, filed on Mar. 29, 2017, now Pat. No. Des. 826,047.
- (51) **LOC (12) Cl.** **09-07**
- (52) **U.S. Cl.**
USPC **D9/452**; D9/454
- (58) **Field of Classification Search**
USPC D7/392, 392.1, 396.2, 397, 398, 619.1, D7/620; D9/434-436, 454, 499, 516, D9/715-719, 453, 522, 537, 549, 562, D9/722, 738, 739, 746; D23/260, 269, D23/390; D3/202, 203.1, 203.2, 203.3, D3/203.4, 207, 208, 240, 276, 318; D8/18; D11/3, 4, 26, 29, 37-39; D20/22, 27; D30/152
CPC B65D 1/0246; B65D 1/0223; B65D 23/12; B65D 41/04; B65D 51/24; A61L 9/12
See application file for complete search history.

(56) **References Cited**

U.S. PATENT DOCUMENTS

- D28,746 S 5/1898 Blount
- D30,338 S 3/1899 Mann
- D31,451 S * 8/1899 Norris D23/269
- D32,681 S 5/1900 Morgenthaler
- D44,392 S 7/1912 Whitney

- D99,688 S * 5/1936 Tomlinson D11/39
 - D159,985 S 9/1950 Heisey
 - D172,090 S 5/1954 Pree
- (Continued)

FOREIGN PATENT DOCUMENTS

- DE 102006038257 A1 2/2008
 - DE 102009020524 A1 11/2010
- (Continued)

OTHER PUBLICATIONS

Amazon. Szent Water Passionfruit Ounce Pack. Review by Brett Conway on Nov. 9, 2018. <https://www.amazon.com/SZENT-Water-Passionfruit-Ounce-Pack/dp/B07G8LHBF2?th=1> (Year: 2018).*

(Continued)

Primary Examiner — Darcey E Gottschalk
(74) *Attorney, Agent, or Firm* — Perkins Coie LLP

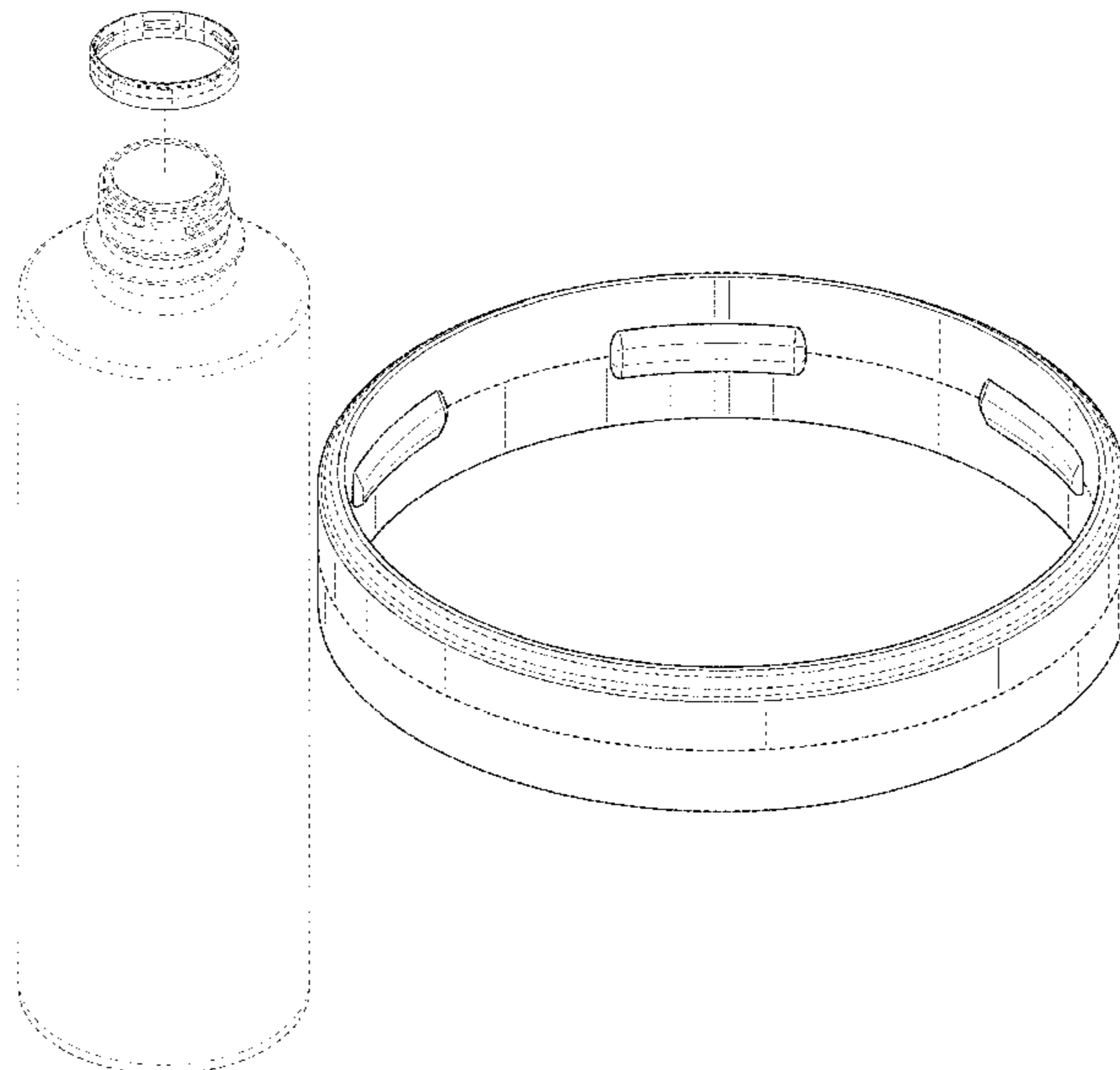
(57) **CLAIM**

The ornamental design for a bottle ring, as shown and described.

DESCRIPTION

FIG. 1 is an exploded view of a bottle ring;
FIG. 2 is an isometric view of the bottle ring of FIG. 1 when positioned on a bottle;
FIG. 3 is a frontal view of the bottle ring of FIG. 1 when positioned on a bottle;
FIG. 4 is a zoomed-in view of the isometric view of the bottle ring of FIG. 1;
FIG. 5 is a top view of the bottle ring of FIG. 4;
FIG. 6 is a frontal view of the bottle ring of FIG. 4; and,
FIG. 7 is a cross-sectional view of the bottle ring of FIG. 4 along the plane identified in FIG. 5.
The broken-line disclosure represents portions of the bottle ring or bottle which form no part of the claimed design.

1 Claim, 6 Drawing Sheets



(56)

References Cited

U.S. PATENT DOCUMENTS

| | | | |
|-----------------|---------|-----------------------|----------------------|
| 3,043,464 A | 3/1959 | Cerasari | |
| D191,418 S | 9/1961 | Nassour | |
| D206,889 S | 2/1967 | Benes | |
| 3,409,181 A | 11/1968 | McDonnell | |
| 3,590,989 A | 7/1971 | Wittwer | |
| D230,187 S | 1/1974 | Schultz | |
| D243,406 S * | 2/1977 | Mooney | D13/154 |
| D256,003 S | 7/1980 | Barr | |
| D258,202 S | 2/1981 | Astor et al. | |
| 4,540,721 A | 9/1985 | Staller | |
| D288,902 S | 3/1987 | Lewis | |
| 4,687,203 A | 8/1987 | Spector | |
| 4,717,017 A | 1/1988 | Sprinkel et al. | |
| D303,915 S * | 10/1989 | Knutson | D8/18 |
| D312,768 S | 12/1990 | Eastman | |
| 4,981,230 A | 1/1991 | Marshall et al. | |
| D317,274 S * | 6/1991 | Redina | D11/4 |
| D319,035 S | 8/1991 | Kruse | |
| 5,165,603 A | 11/1992 | Hahn | |
| 5,197,620 A | 3/1993 | Gregory | |
| 5,249,676 A | 10/1993 | Ashcraft et al. | |
| D348,836 S | 7/1994 | McCallum et al. | |
| 5,388,731 A | 2/1995 | Mengeu et al. | |
| 5,477,640 A | 12/1995 | Holtkamp, Jr. | |
| D372,765 S | 8/1996 | Sisk | |
| D374,837 S | 10/1996 | Austin | |
| 5,635,229 A | 6/1997 | Ray | |
| D394,824 S | 6/1998 | Itzkowitz | |
| 5,795,644 A | 8/1998 | Delarosa | |
| 5,810,184 A | 9/1998 | Adams et al. | |
| 5,858,141 A | 1/1999 | Repp et al. | |
| 5,865,535 A | 2/1999 | Edwards | |
| 5,913,437 A | 6/1999 | Ma | |
| 5,957,312 A | 9/1999 | Adams et al. | |
| 6,006,472 A | 12/1999 | Holtkamp, Jr. | |
| D422,905 S | 4/2000 | Walker | |
| 6,045,833 A | 4/2000 | Landau | |
| 6,062,441 A | 5/2000 | Mengeu et al. | |
| 6,102,224 A | 8/2000 | Sun | |
| 6,112,749 A | 9/2000 | Hall et al. | |
| 6,112,923 A | 9/2000 | Ma | |
| 6,290,914 B1 | 9/2001 | LeJune et al. | |
| D453,000 S | 1/2002 | Shinjo | |
| D457,783 S | 5/2002 | Bodum | |
| D460,357 S | 7/2002 | Kras et al. | |
| D465,731 S | 11/2002 | Brant et al. | |
| 6,484,896 B2 | 11/2002 | Ma | |
| 6,497,337 B1 | 12/2002 | Kehe | |
| D468,492 S | 1/2003 | Wilhelm | |
| 6,511,726 B1 | 1/2003 | Kinigakis | |
| 6,581,793 B1 | 6/2003 | Racine et al. | |
| 6,659,297 B2 | 12/2003 | Gregory et al. | |
| 6,677,397 B1 | 1/2004 | Baranowski et al. | |
| D491,066 S | 6/2004 | Le Goff | |
| 6,766,916 B2 | 7/2004 | Ma | |
| D498,826 S * | 11/2004 | Takahiro | D23/269 |
| D501,625 S | 2/2005 | Biggerstaff | |
| 6,964,346 B1 | 11/2005 | Taber et al. | |
| 6,981,602 B2 | 1/2006 | Ma et al. | |
| D515,353 S * | 2/2006 | Martin | D7/392.1 |
| 7,005,152 B2 | 2/2006 | Landau | |
| D518,717 S | 4/2006 | German | |
| D518,718 S | 4/2006 | vonSpreckelsen et al. | |
| D522,368 S | 6/2006 | Darr et al. | |
| D533,747 S | 12/2006 | Jin | |
| D533,802 S | 12/2006 | Thompson et al. | |
| D534,428 S | 1/2007 | Reed et al. | |
| D534,802 S | 1/2007 | German | |
| D535,210 S | 1/2007 | Park | |
| D545,235 S | 6/2007 | Carter-Smith et al. | |
| D548,092 S | 8/2007 | Klemm | |
| D553,254 S | 10/2007 | Colin et al. | |
| 7,284,711 B2 | 10/2007 | Reed et al. | |
| 7,306,108 B2 | 12/2007 | Cleevely | |
| D576,047 S | 9/2008 | Reihle | |
| D578,889 S | 10/2008 | Sadiq et al. | |
| 7,470,035 B1 | 12/2008 | Benitez | |
| D584,149 S | 1/2009 | Lohrman et al. | |
| D587,118 S | 2/2009 | Sadiq et al. | |
| 7,484,675 B2 | 2/2009 | Brown | |
| D592,950 S | 5/2009 | Kopulos | |
| D595,581 S | 7/2009 | Brunson | |
| D600,115 S | 9/2009 | Trayser | |
| D606,864 S | 12/2009 | Robinson | |
| D614,247 S | 4/2010 | Clausen | |
| D615,816 S | 5/2010 | Joy et al. | |
| D617,426 S | 6/2010 | Zeyfang | |
| 7,748,557 B2 | 7/2010 | Robinson | |
| D623,056 S * | 9/2010 | Sessa | D11/26 |
| D633,386 S | 3/2011 | Taber et al. | |
| D633,387 S * | 3/2011 | Gatto | D9/434 |
| D634,199 S | 3/2011 | Taber et al. | |
| D634,200 S | 3/2011 | Taber et al. | |
| D635,352 S | 4/2011 | Himley et al. | |
| D646,600 S | 10/2011 | Minkkinen et al. | |
| D650,677 S | 12/2011 | Wurster et al. | |
| D662,767 S | 7/2012 | Hotell et al. | |
| D671,406 S | 11/2012 | Sawicki et al. | |
| 8,364,028 B1 | 1/2013 | Vaske et al. | |
| D678,989 S * | 3/2013 | Zerrer | D23/259 |
| 8,440,265 B2 | 5/2013 | Duan | |
| D684,082 S * | 6/2013 | Alvarez | D11/3 |
| D686,075 S | 7/2013 | Guerin et al. | |
| D686,101 S * | 7/2013 | Dailey | D11/26 |
| 8,474,637 B2 | 7/2013 | Zhang et al. | |
| D689,789 S * | 9/2013 | Hardy | D11/26 |
| D691,885 S | 10/2013 | Potts | |
| D694,107 S * | 11/2013 | Didio | G09F 3/005 D9/434 |
| D696,952 S | 1/2014 | Sawicki et al. | |
| 8,672,158 B2 | 3/2014 | Taber | |
| 8,708,189 B2 | 4/2014 | Reitzig | |
| D706,908 S * | 6/2014 | Knapp | D23/269 |
| D706,909 S * | 6/2014 | van de Klippe | D23/269 |
| D723,919 S | 3/2015 | Taber et al. | |
| D730,734 S * | 6/2015 | Rapparini | D9/454 |
| D733,604 S * | 7/2015 | Tan | D11/3 |
| D734,670 S | 7/2015 | Griffis | |
| D743,513 S * | 11/2015 | Yamagishi | D23/269 |
| D752,975 S | 4/2016 | Gatto | |
| D753,490 S | 4/2016 | O'Donahue | |
| 9,302,830 B2 | 4/2016 | Ramsey et al. | |
| D762,115 S | 7/2016 | Corvaglia et al. | |
| D766,716 S * | 9/2016 | Logel | D9/434 |
| D776,529 S | 1/2017 | Torrison et al. | |
| D783,607 S * | 4/2017 | Lee | D14/138 R |
| D785,144 S * | 4/2017 | Kitagawa | D23/269 |
| D791,591 S | 7/2017 | Berge | |
| D792,219 S | 7/2017 | Bueno Nunez | |
| D795,021 S | 8/2017 | Lindloff | |
| 9,801,969 B2 * | 10/2017 | Griffis | B65D 51/245 |
| D807,173 S | 1/2018 | Cooper et al. | |
| D815,951 S | 4/2018 | Solovy | |
| D824,257 S | 7/2018 | Wood et al. | |
| D826,047 S * | 8/2018 | Griffis | D9/452 |
| D827,435 S * | 9/2018 | Griffis | D9/443 |
| D828,088 S * | 9/2018 | Fumeaux | D7/396.2 |
| D832,130 S * | 10/2018 | Bostic | D11/4 |
| D832,734 S * | 11/2018 | Warren | D11/26 |
| D838,171 S | 1/2019 | Wood et al. | |
| 10,189,611 B2 | 1/2019 | Cox | |
| 2001/0027957 A1 | 10/2001 | Kano et al. | |
| 2002/0139093 A1 | 10/2002 | Landau | |
| 2002/0158037 A1 | 10/2002 | Kano et al. | |
| 2002/0190023 A1 | 12/2002 | Landau | |
| 2003/0132244 A1 | 7/2003 | Birkmayer et al. | |
| 2004/0018278 A1 | 1/2004 | Popplewell | |
| 2004/0029750 A1 | 2/2004 | Schudel et al. | |
| 2005/0196571 A1 | 9/2005 | Penny et al. | |
| 2006/0246265 A1 | 11/2006 | Rogers et al. | |
| 2006/0255002 A1 | 11/2006 | Takamatsu et al. | |
| 2006/0278542 A1 | 12/2006 | Pham et al. | |
| 2006/0278543 A1 | 12/2006 | Pham | |
| 2006/0291756 A1 | 12/2006 | Thomas et al. | |

(56)

References Cited

U.S. PATENT DOCUMENTS

| | | | |
|--------------|----|---------|------------------|
| 2007/0023301 | A1 | 2/2007 | Pham |
| 2007/0051690 | A1 | 3/2007 | Hidding |
| 2007/0114142 | A1 | 5/2007 | Sine et al. |
| 2008/0067142 | A1 | 3/2008 | Druitt |
| 2008/0149586 | A1 | 6/2008 | Loughrin et al. |
| 2008/0173611 | A1 | 7/2008 | Neputy et al. |
| 2008/0245757 | A1 | 10/2008 | Durand |
| 2009/0045158 | A1 | 2/2009 | Suriol |
| 2009/0078786 | A1 | 3/2009 | Slade |
| 2009/0098026 | A1 | 4/2009 | Wood |
| 2009/0155505 | A1 | 6/2009 | Wagenheim |
| 2009/0258118 | A1 | 10/2009 | Gillian |
| 2010/0323134 | A1 | 12/2010 | Bostian et al. |
| 2011/0253584 | A1 | 10/2011 | Duan |
| 2011/0290755 | A1 | 12/2011 | Taber et al. |
| 2012/0006909 | A1 | 1/2012 | Zhang et al. |
| 2012/0175016 | A1 | 7/2012 | Lopez et al. |
| 2013/0043245 | A1 | 2/2013 | Griffis |
| 2013/0056551 | A1 | 3/2013 | Zhang et al. |
| 2013/0062239 | A1 | 3/2013 | Key |
| 2013/0105066 | A1 | 5/2013 | Landau |
| 2013/0205718 | A1 | 8/2013 | Kapolas |
| 2013/0276339 | A1 | 10/2013 | Hernandez et al. |
| 2013/0313218 | A1 | 11/2013 | Cox et al. |
| 2014/0158660 | A1 | 6/2014 | Wood et al. |
| 2014/0263335 | A1 | 9/2014 | Taber et al. |
| 2015/0027974 | A1 | 1/2015 | Niec |
| 2015/0102033 | A1 | 4/2015 | Banovie |
| 2015/0329247 | A1 | 11/2015 | Lou |
| 2016/0122066 | A1 | 5/2016 | DiBaisio |
| 2017/0081095 | A1 | 3/2017 | McPherson et al. |
| 2017/0239382 | A1 | 8/2017 | Griffis |
| 2017/0240325 | A1 | 8/2017 | Seelhofer |
| 2017/0326263 | A1 | 11/2017 | Griffis |
| 2018/0043047 | A1 | 2/2018 | Griffis |
| 2018/0079552 | A1 | 3/2018 | Ayeni |
| 2018/0141730 | A1 | 5/2018 | Rognard |
| 2018/0201414 | A1 | 7/2018 | Rouquette |
| 2019/0009953 | A1 | 1/2019 | Edie et al. |
| 2019/0062007 | A1 | 2/2019 | Kim |
| 2019/0084728 | A1 | 3/2019 | Bonfoey et al. |
| 2019/0091363 | A1 | 3/2019 | Griffis |
| 2019/0118989 | A1 | 4/2019 | Kim |
| 2019/0224359 | A1 | 7/2019 | Griffis |

FOREIGN PATENT DOCUMENTS

| | | | |
|----|--------------|----|---------|
| DE | 202017001221 | U1 | 5/2017 |
| GB | 2569075 | | 6/2019 |
| WO | 2010068731 | | 6/2010 |
| WO | 2018085580 | | 5/2018 |
| WO | 2018203993 | | 11/2018 |

OTHER PUBLICATIONS

Amazon. Oxford Ivy—Men's 14K White Gold 6MM Comfort Fit Beveled Edge Wedding Band Sep. 30, 2016. <https://www.amazon.com/White-Comfort-Beveled-Wedding-Available/dp/B01LYD52N4> (Year: 2016).*

Etsy. Mini Orange Plastic Soda Bottle Rings/Safety Seals. Mar. 23, 2018 [earliest online date], [site visited Apr. 23, 2018]. Available from Internet, <URL:https://etsy.me/2HSzu7f>. (Year: 2018).

First Action Interview Pilot Program Pre-Interview Communication for U.S. Appl. No. 15/782,720, dated Apr. 2, 2018 (6 pages).

Flavour Bottle: The world's first flavored bottle, available at <https://www.kickstarter.com/projects/flavourtechnologies/flavour-bottle-the-worlds-first-flavored-bottle/description>.

Forever Gifts. Beveled Edge Black Tungsten Wedding Band. Apr. 26, 2017 [earliest online date], [site visited Apr. 26, 2018]. Available from Internet, <URL:https://www.forevergifts.com/beveled-edge-black-tungsten-wedding-band-free-engraving/>. (Year: 2017).

High-Tech Cocktail Glass Lets You Experience Plain Water as the Perfect Cocktail, Oddity Central, available at <http://www.odditycentral.com/technology/high-tech-cocktail-glass-lets-you-experience-plain-water-as-the-perfect-cocktail.html>, Nov. 20, 2017.

International Search Report and Written Opinion for International Application No. PCT/US18/24630, dated Apr. 23, 2018 (7 pages).

Non-Final Office Action for U.S. Appl. No. 15/663,534, dated Apr. 2, 2018 (26 pages).

Non-Final Office Action for U.S. Appl. No. 29/598,882, dated May 1, 2018 (29 pages).

Non-Final Office Action for U.S. Appl. No. 29/598,879, dated May 1, 2018 (26 pages).

The New York Times. Mystery in Sochi Doping Case Lies With Tamper-Proof Bottle by Rebecca R. Ruiz. May 13, 2016 [earliest online date], [site visited Apr. 23, 2018]. Available from Internet, <URL:https://www.nytimes.com/2016/05/14/sports/russia-doping-bottles-olympics-2014.html>. (Year: 2016).

Examination Report received for European Union Design Application No. 005826559; dated Nov. 28, 2018 (2 pages).

First Examiner's Report received for Canadian Application No. 177508; dated Jul. 23, 2018 (3 pages).

Non-Final Office Action received for U.S. Appl. No. 15/663,534, dated Aug. 16, 2018 (26 pages).

First Examiner's Report received for Australian Application No. 2018202261; dated Aug. 30, 2018 (5 pages).

Office Action for German Application No. 10 2018 003 090.4, dated Jan. 15, 2019 (8 pages).

Examiner's Report received for Canadian Application No. 2999583; dated Jan. 30, 2019 (3 pages).

Final Office Action received for U.S. Appl. No. 15/663,534; dated Feb. 13, 2019 (19 pages).

Non-Final Office Action received for U.S. Appl. No. 29/599,447, dated Mar. 28, 2019 (10 pages).

Szent Water: Announced Nov. 7, 2018 [online]. Site visited [Mar. 22, 2019]. Available from internet URL: https://www.amazon.com/SZE-NT-Water-Passionfruit-Ounce-Pack/dp/B07G8LHBF2/ref=cm_cr_ar_p_d_product_top?ie=UTF8&th=1.

Notice of Allowance Received for U.S. Appl. No. 15/663,534, dated May 3, 2019.

Notification to Grant Patent Right for Design and Go through Formalities of Registration Received for Chinese Application No. 201830652933.8 dated Jul. 16, 2019.

International Search Report and Written Opinion for International Application No. PCT/US19/24708, dated Jun. 24, 2019 (9 pages).

Notice of Acceptance for Patent Application Received for Australia Application No. 2018202261, dated May 30, 2019.

* cited by examiner

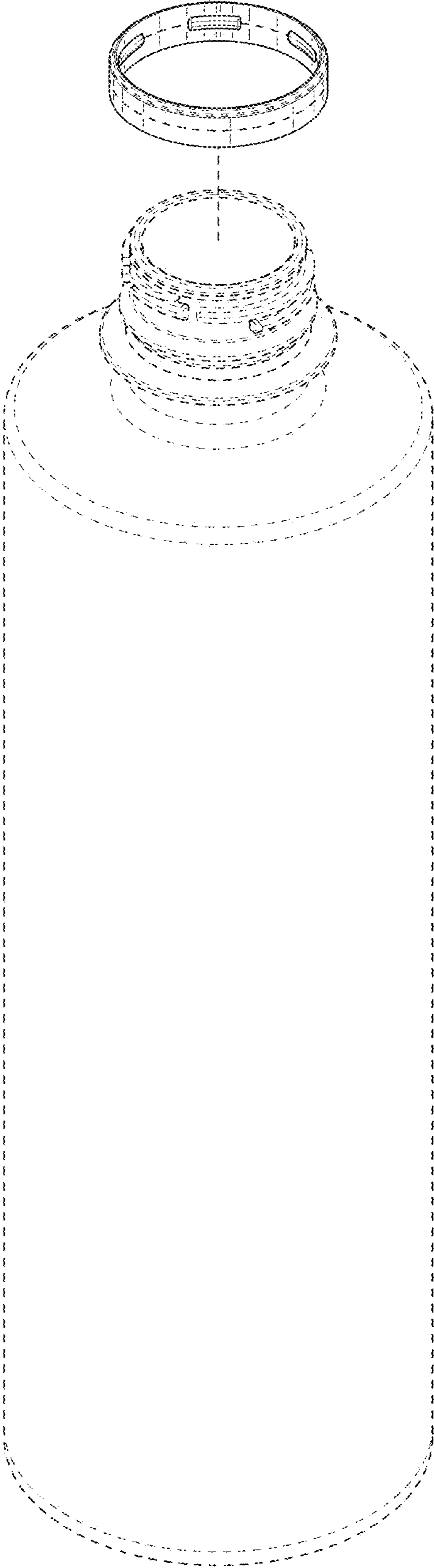


Fig. 1

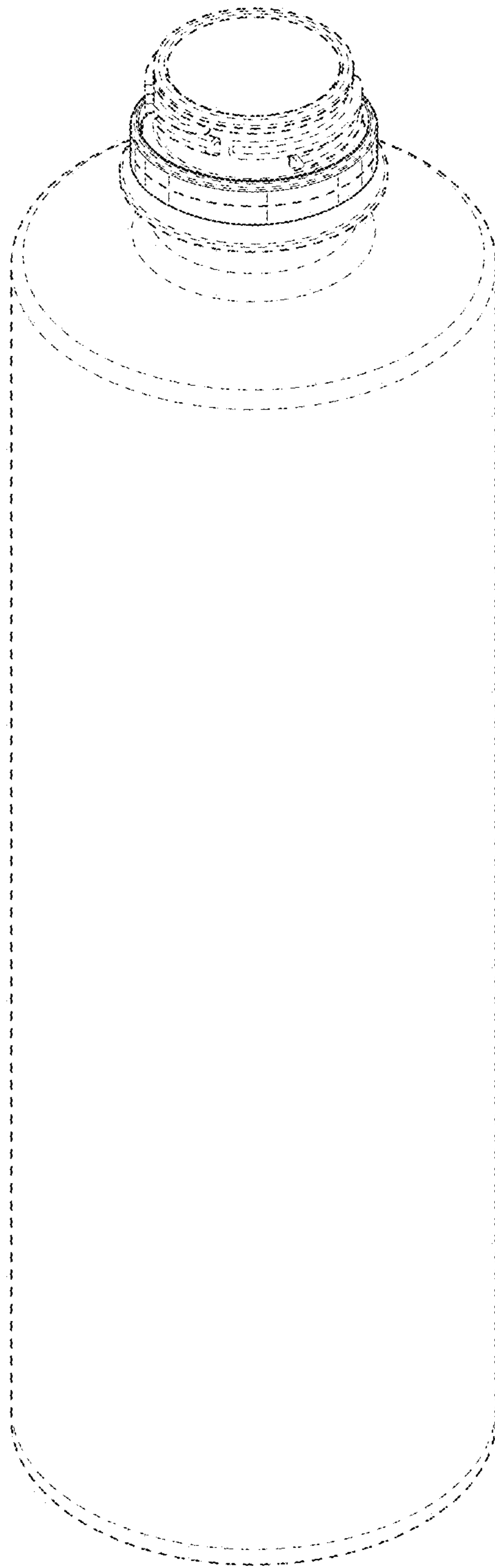


Fig. 2

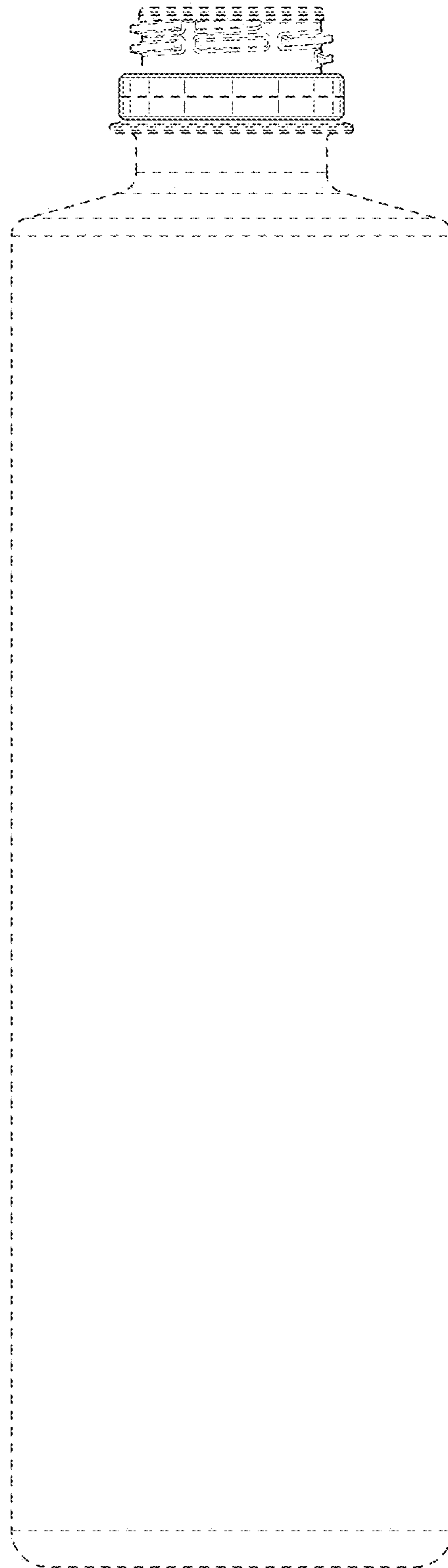


Fig. 3

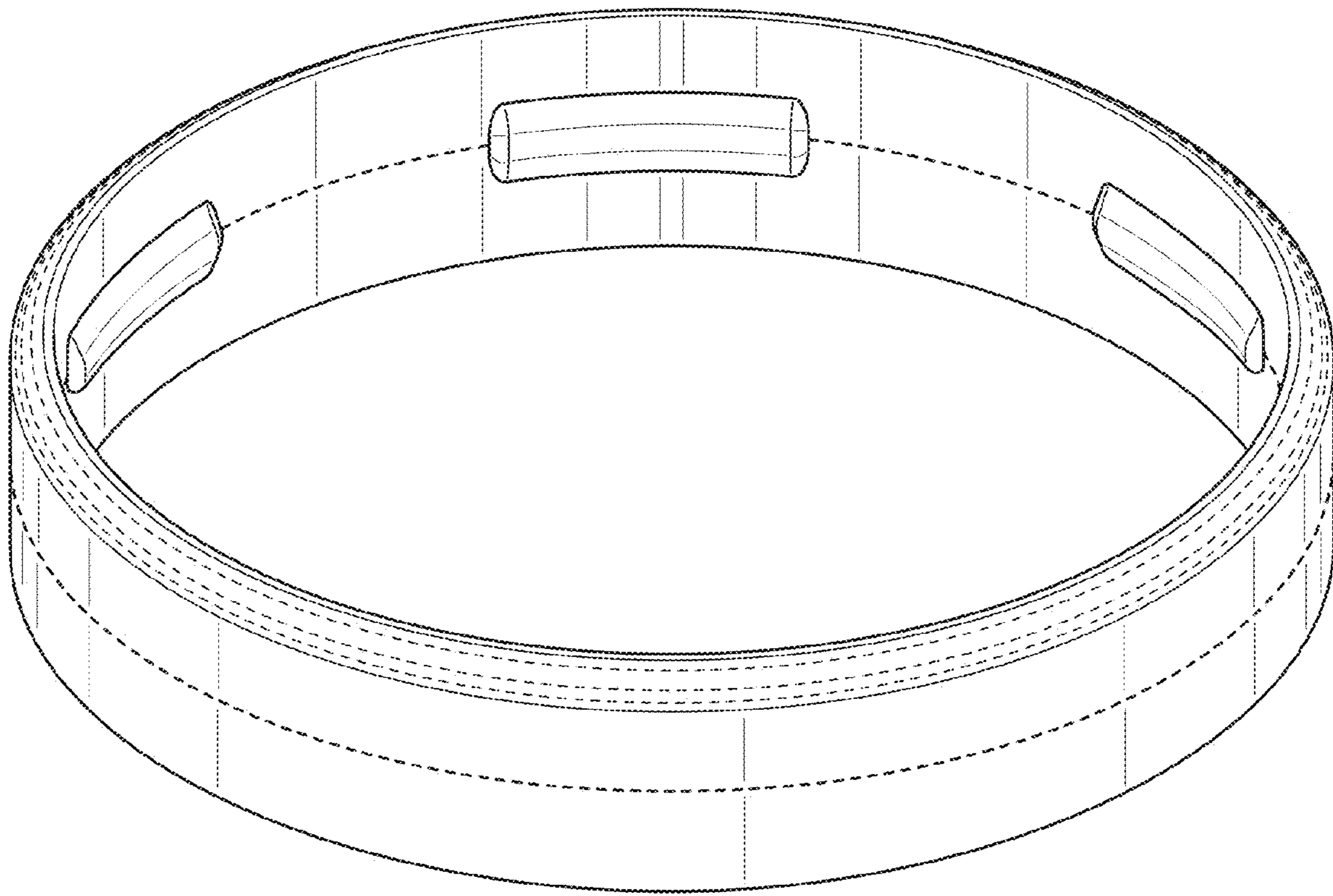


Fig. 4

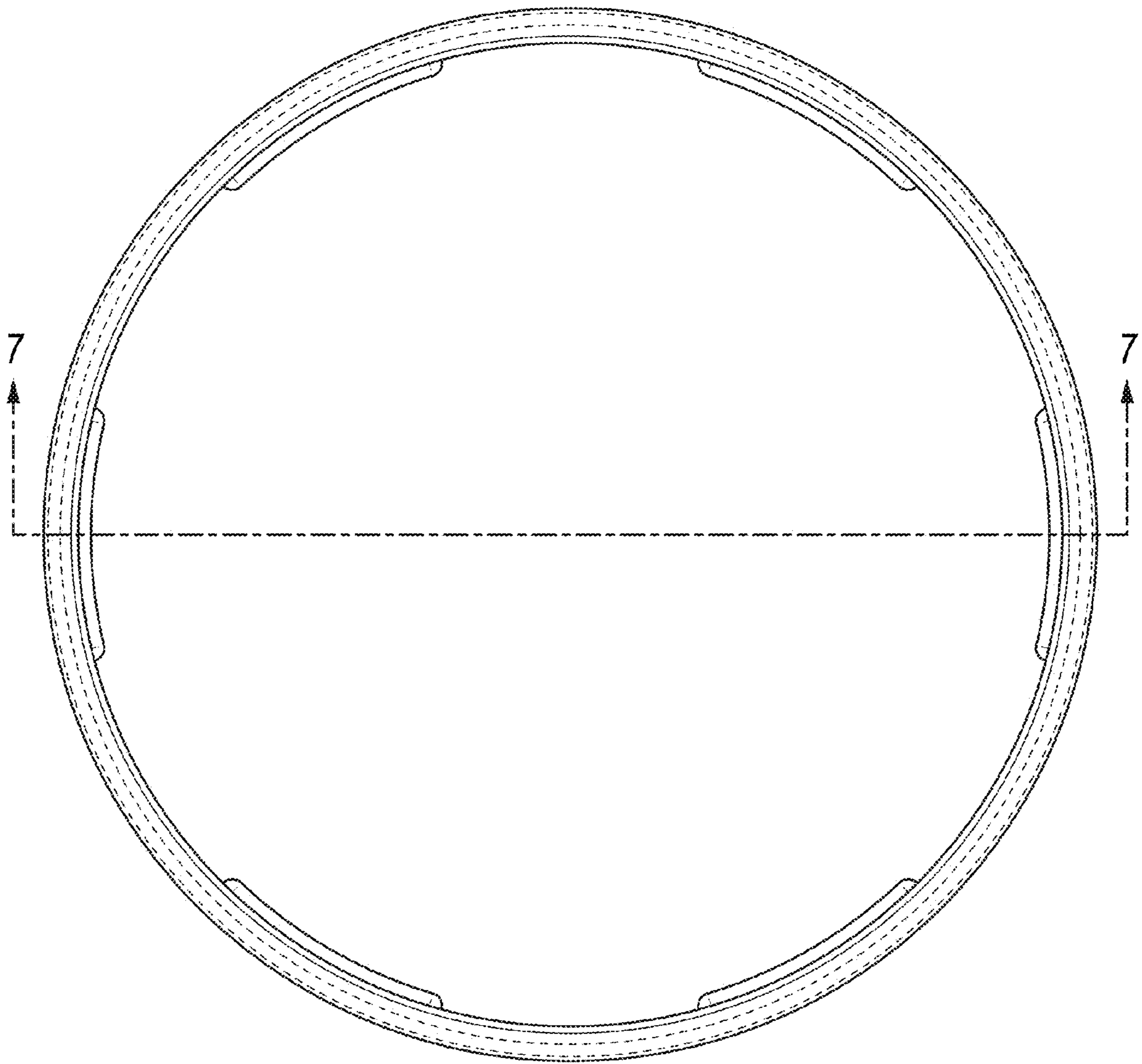


Fig. 5

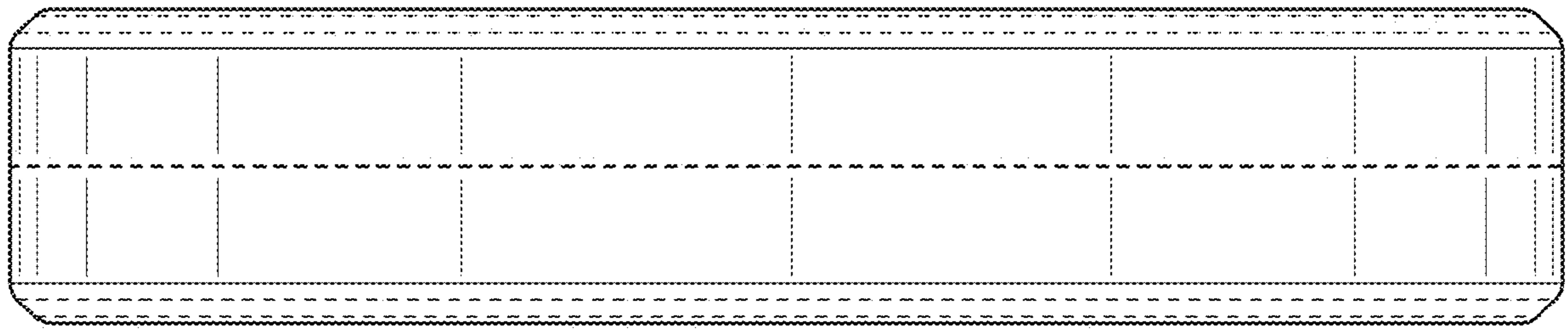


Fig. 6

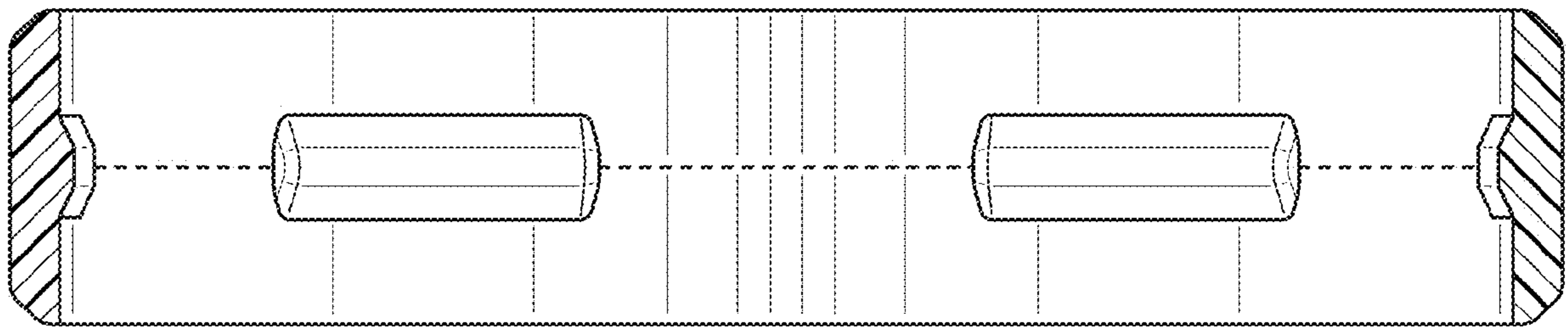


Fig. 7