



US00D876235S

(12) **United States Design Patent**
Beaudouin et al.

(10) **Patent No.:** **US D876,235 S**
(45) **Date of Patent:** **** Feb. 25, 2020**

- (54) **CAP**
- (71) Applicant: **Edgewell Personal care Brands, LLC., Chesterfield, MO (US)**
- (72) Inventors: **Ashley Beaudouin, Milford, CT (US); Stephen Morfit, Monroe, CT (US)**
- (73) Assignee: **EDGEWELL PERSONAL CARE BRANDS, LLC, Chesterfield, MO (US)**
- (**) Term: **15 Years**
- (21) Appl. No.: **29/612,081**
- (22) Filed: **Jul. 28, 2017**
- (51) **LOC (12) Cl.** **09-07**
- (52) **U.S. Cl.**
USPC **D9/449; D9/446**
- (58) **Field of Classification Search**
USPC D7/392, 392.1, 396.1, 396.2, 397, 398;
D9/434-436, 439, 443, 447, 449, 454,
D9/499
CPC B65D 47/0814; B65D 39/00; B65D 39/08;
B65D 39/12; B65D 39/02; B65D 45/025
See application file for complete search history.

D664,433	S	*	7/2012	Fracasso	D9/449
D664,849	S	*	8/2012	Fracasso	D9/449
D664,850	S	*	8/2012	Fracasso	D9/449
D680,434	S	*	4/2013	Fracasso	D9/447
D688,554	S	*	8/2013	Fracasso	D9/447
D823,686	S	*	7/2018	Beaudouin	D9/449
2005/0173366	A1	*	8/2005	Baudin	B65D 47/0814 215/235

- (56) **References Cited**
U.S. PATENT DOCUMENTS
5,437,383 A * 8/1995 Stull B65D 47/0814
215/235
D455,077 S * 4/2002 Gaiser D9/449
D605,514 S * 12/2009 Weber D9/449

OTHER PUBLICATIONS

Made in China. Shampoo Bottle Cap. Jul. 26, 2010. <URL:https://www.nmade-in-china.com/showroom/ascendmoldcompany/product-detailfMSnXyhbkekq/China-Shampoo-Bottle-Cap.html>. (Year: 2010).*

* cited by examiner

Primary Examiner — Darcey E Gottschalk

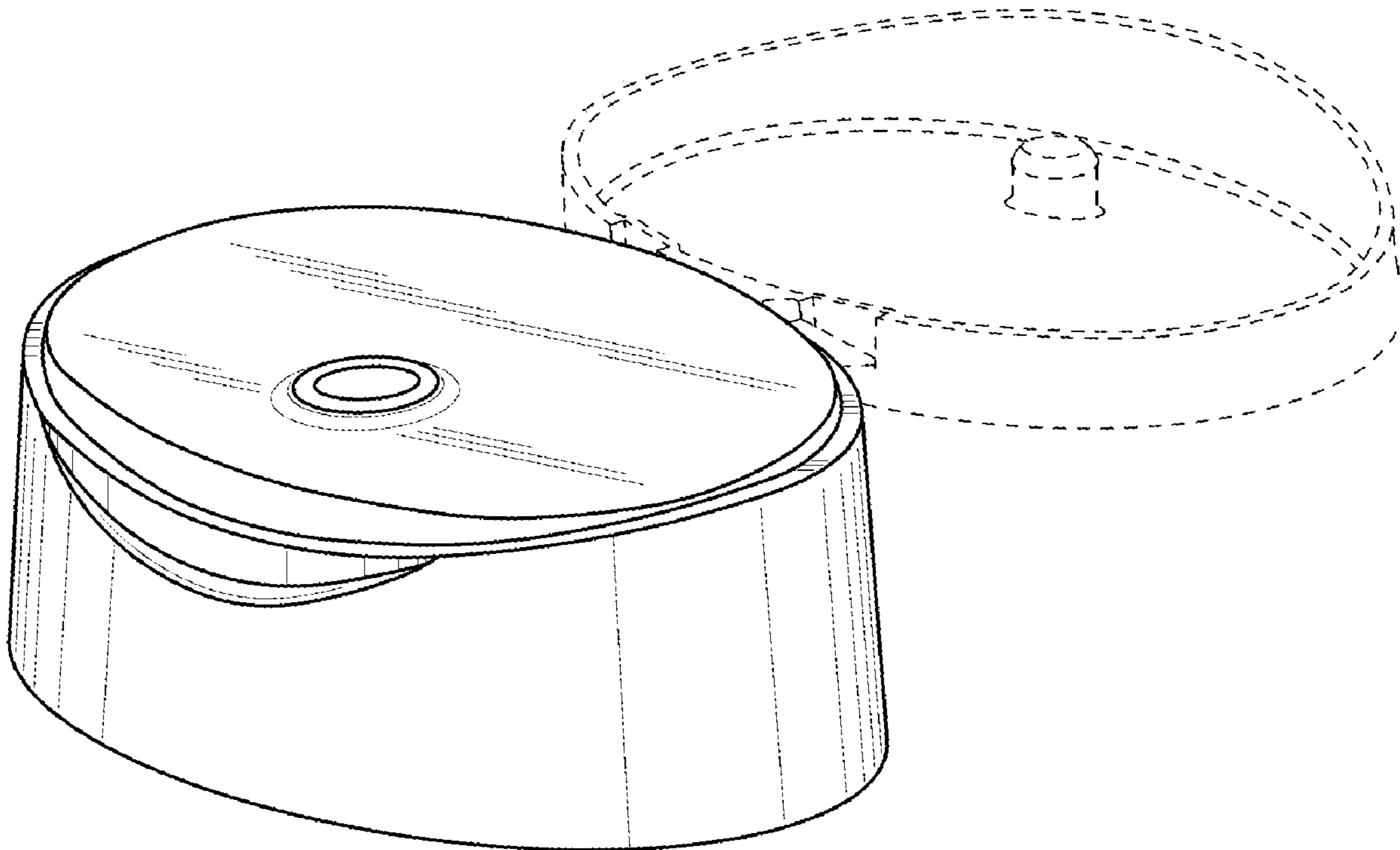
(57) **CLAIM**

We claim the ornamental design for a cap, as shown and described.

DESCRIPTION

FIG. 1 is a front perspective view of a cap.
FIG. 2 is a front view thereof;
FIG. 3 is a back view of FIG. 2;
FIG. 4 is a top view thereof;
FIG. 5 is a bottom view thereof;
FIG. 6 is a right side view of FIG. 2; and,
FIG. 7 is a left side view of FIG. 2.
The broken lines in the figures depict environmental subject matter only and form no part of the claimed design.

1 Claim, 5 Drawing Sheets



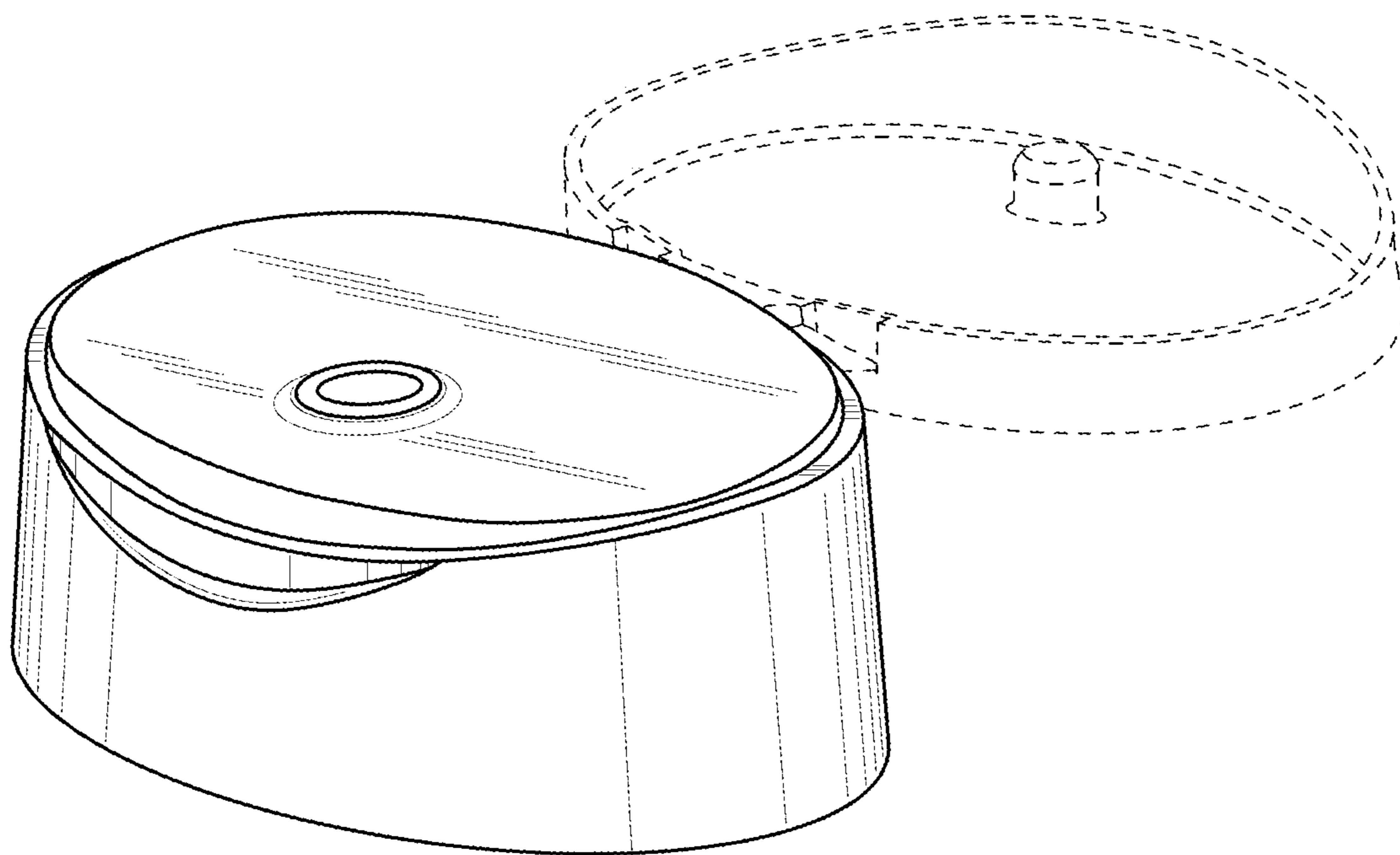


FIG. 1

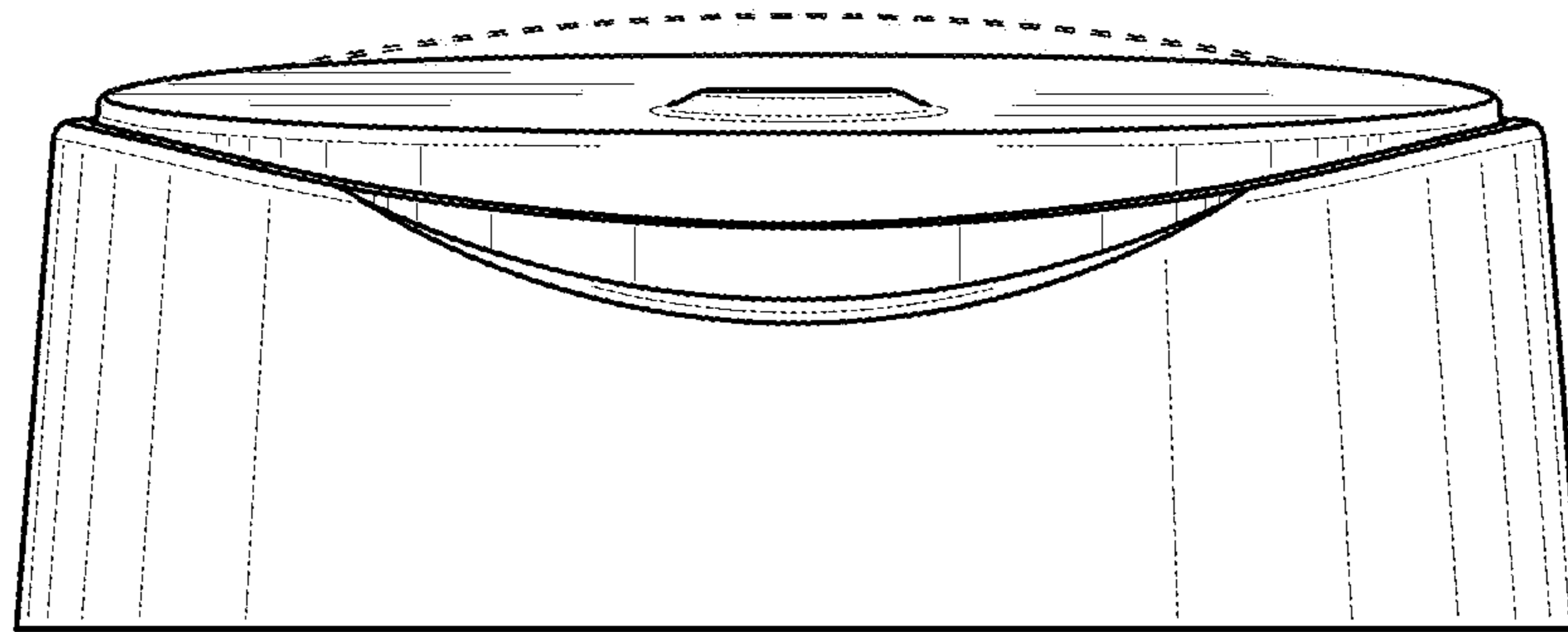


FIG. 2

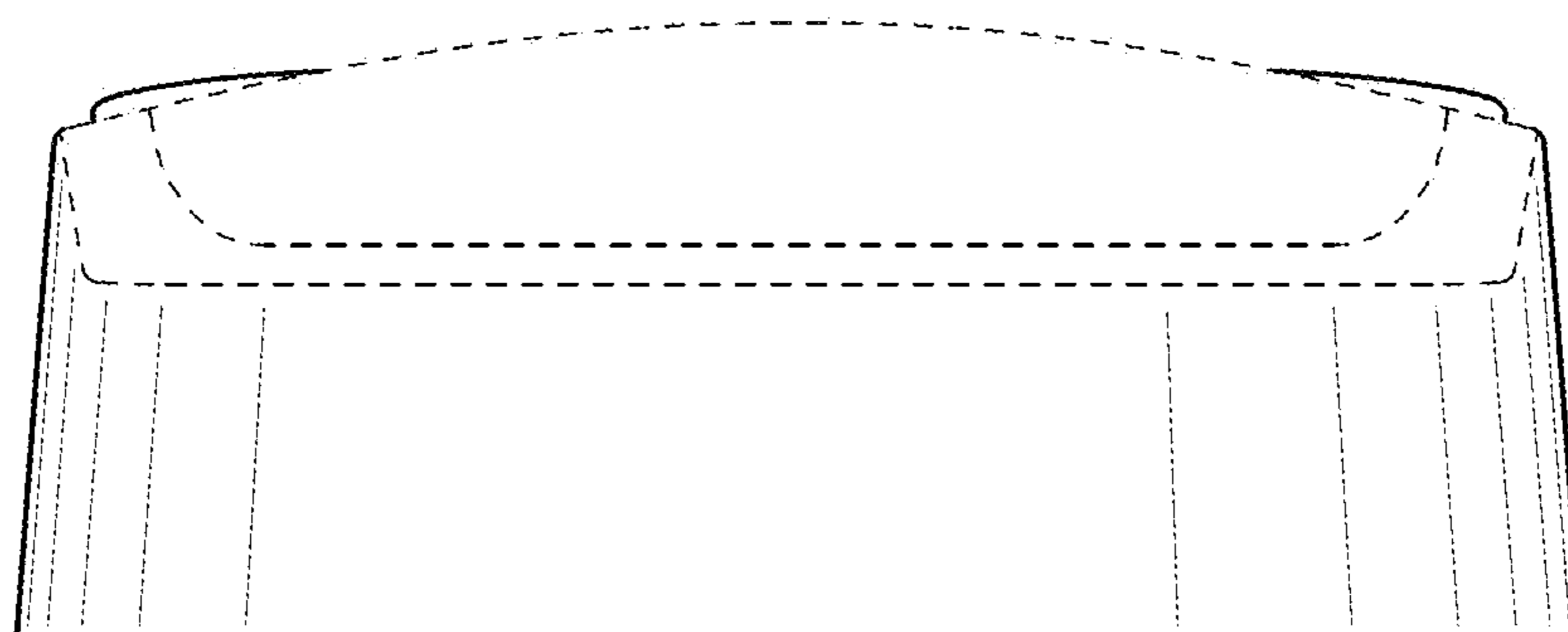


FIG. 3

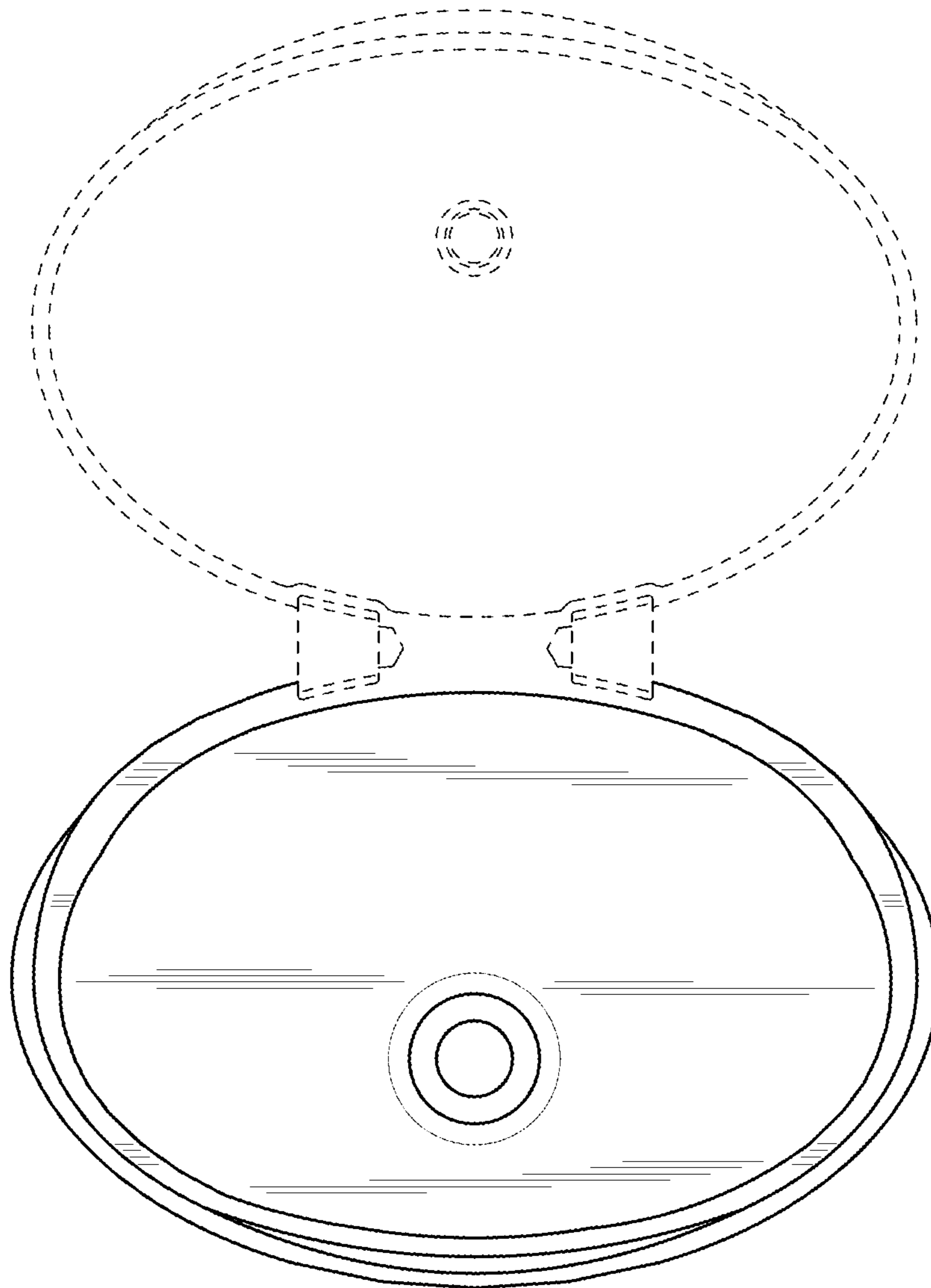


FIG. 4

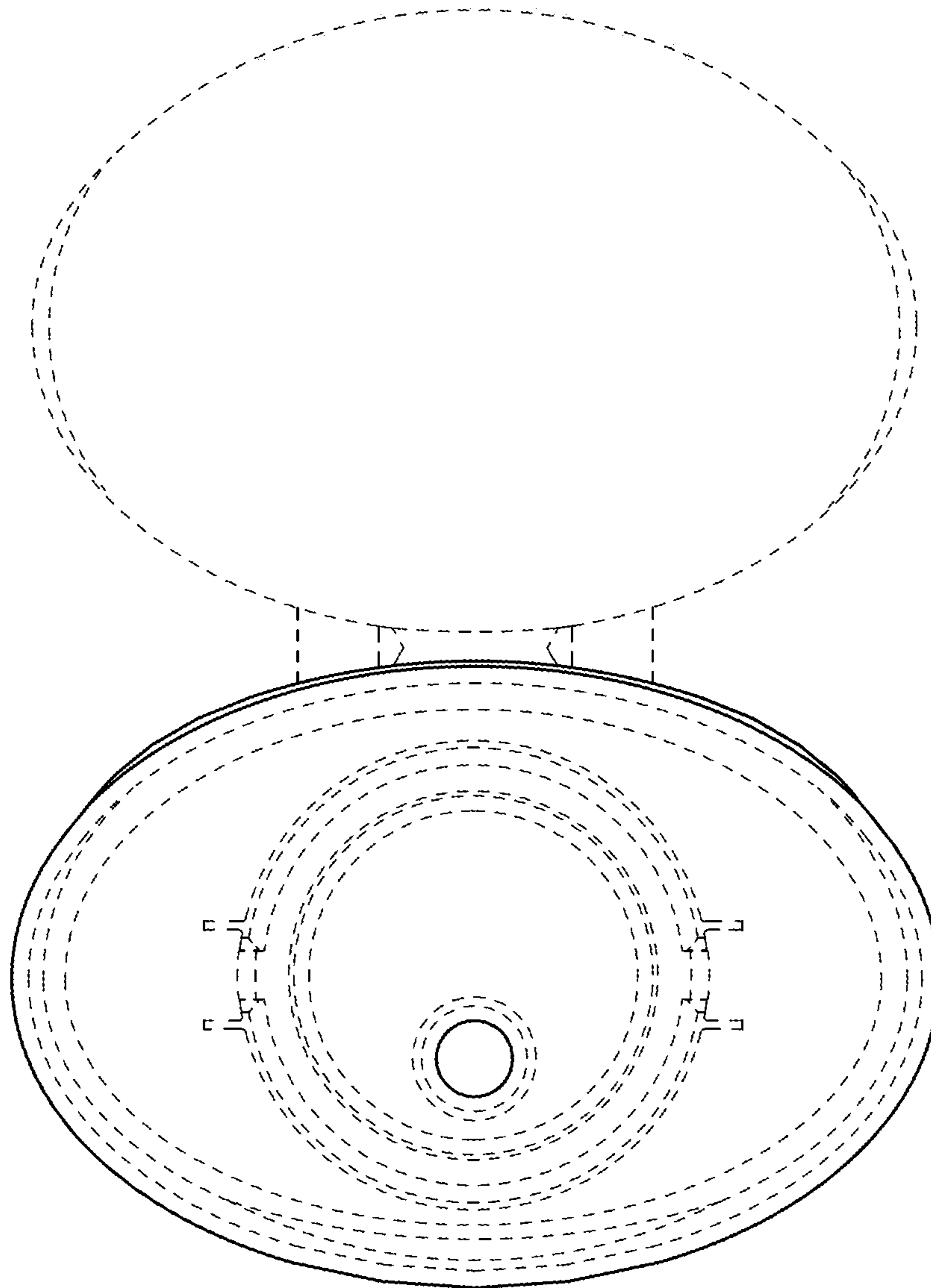


FIG. 5

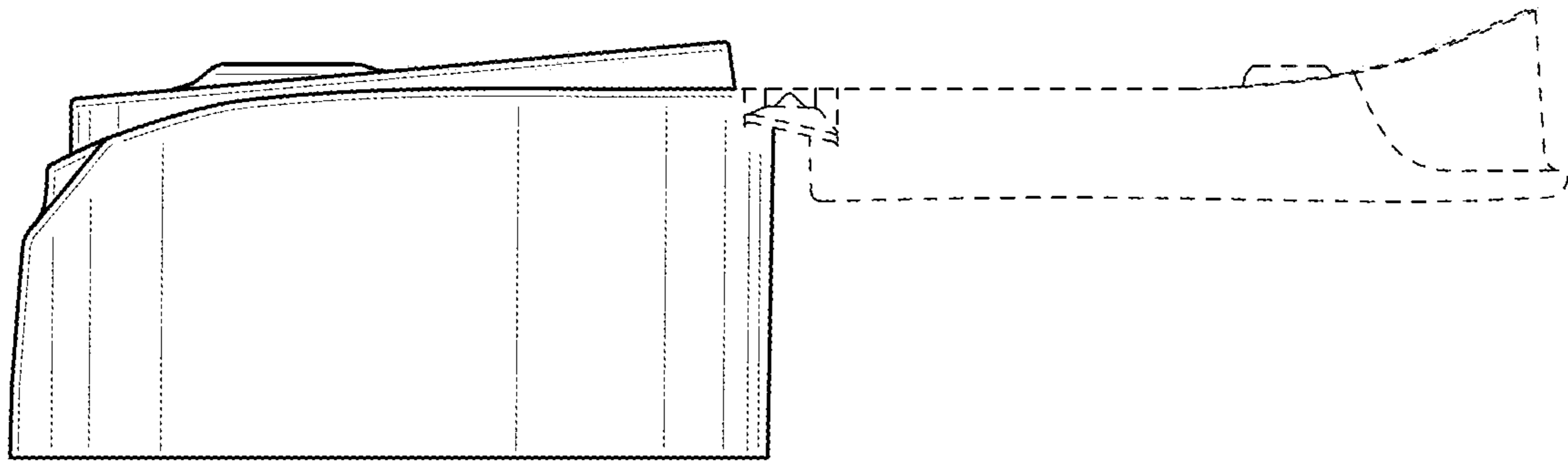


FIG. 6

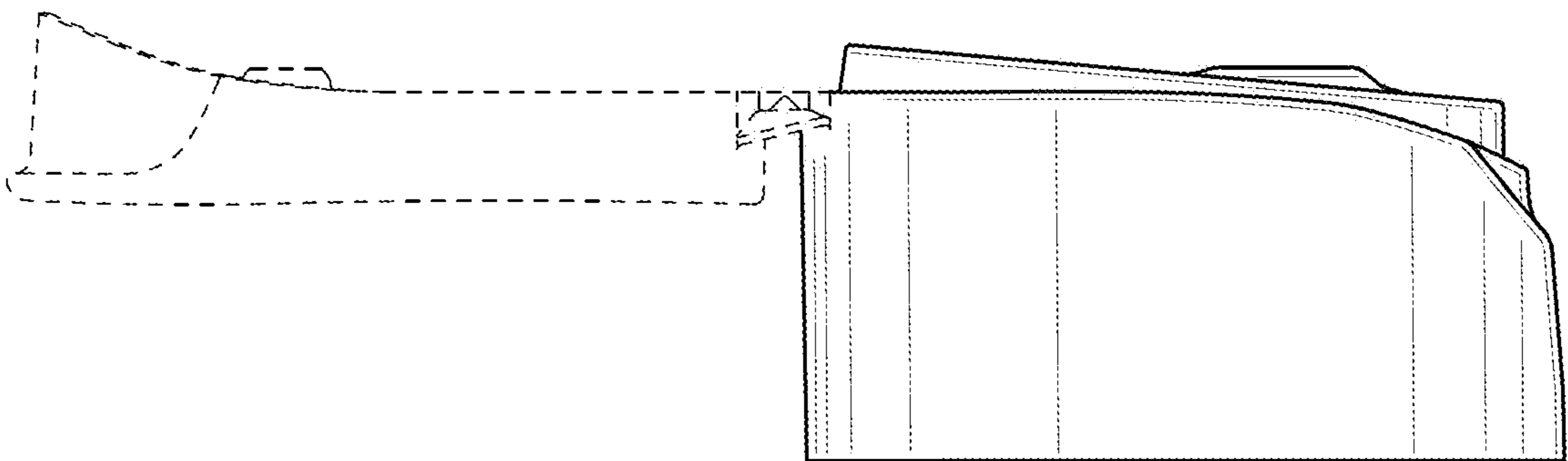


FIG. 7