



US00D876234S

(12) **United States Design Patent** (10) **Patent No.:** **US D876,234 S**
Arminak (45) **Date of Patent:** **** Feb. 25, 2020**

(54) **OVAL SHAPED FOAM PUMP ACTUATOR**

(71) Applicant: **Armin Arminak**, Pasadena, CA (US)

(72) Inventor: **Armin Arminak**, Pasadena, CA (US)

(**) Term: **15 Years**

(21) Appl. No.: **29/665,219**

(22) Filed: **Oct. 1, 2018**

(51) **LOC (12) Cl.** **09-07**

(52) **U.S. Cl.**
USPC **D9/448**

(58) **Field of Classification Search**
USPC D7/387, 392, 397, 398, 401.1, 589, 590,
D7/300, 317, 392.1, 396.2; D9/439, 443,
D9/450, 682, 685-691, 434-436, 447,
D9/499; D6/515, 530, 542-545;
D8/14.1; D23/208, 213, 252, 255, 321
CPC .. A47K 5/16; B05B 7/24; B05B 11/00; F04B
9/14; F04B 23/02

See application file for complete search history.

(56) **References Cited**

U.S. PATENT DOCUMENTS

D214,723 S *	7/1969	Hazard	D9/450
D214,882 S *	8/1969	Hazard	D9/450
D217,710 S *	6/1970	Hazard	D9/450
D217,711 S *	6/1970	Hazard	D9/450
3,874,562 A	4/1975	Hazard		
3,907,174 A	9/1975	Steiman		
D244,513 S *	5/1977	Butcher	D9/448
D267,930 S *	2/1983	Corba	D9/448
4,479,589 A	10/1984	Ford		
4,819,832 A	4/1989	Lawson		
5,143,237 A	1/1992	Lindsey et al.		

(Continued)

FOREIGN PATENT DOCUMENTS

GB	1466436	3/1977
JP	08038959	2/1996

(Continued)

OTHER PUBLICATIONS

Rakuten. 3X Liquid Hand Soap Dispensers. No date specified.
https://www.rakuten.com/shop/alltopbargains/product/7795735156902/?rtg=7edfcf8cb4256f1f0ce8e8d161a78c2f&l-id=Product_YouMayAlsoLike_widget_13 (Year: 0).*

(Continued)

Primary Examiner — Darcey E Gottschalk

(74) *Attorney, Agent, or Firm* — Cislo & Thomas, LLP

(57) **CLAIM**

The ornamental design for an oval shaped foam pump actuator, as shown and described herein.

DESCRIPTION

FIG. 1 is a front perspective view of the oval shaped foam pump actuator, showing my new design, with the nozzle shown in the open position;

FIG. 2 is a rear perspective view of thereof;

FIG. 3 is a top plan view thereof;

FIG. 4 is a bottom plan view thereof;

FIG. 5 is a front elevation view thereof;

FIG. 6 is a rear elevation view thereof;

FIG. 7 is a right side view thereof; and

FIG. 8 is a left side view thereof.

FIG. 9 is a front perspective view of the oval shaped foam pump actuator, showing my new design, with the nozzle shown in the closed position;

FIG. 10 is a rear perspective view of thereof;

FIG. 11 is a top plan view thereof;

FIG. 12 is a bottom plan view thereof;

FIG. 13 is a front elevation view thereof;

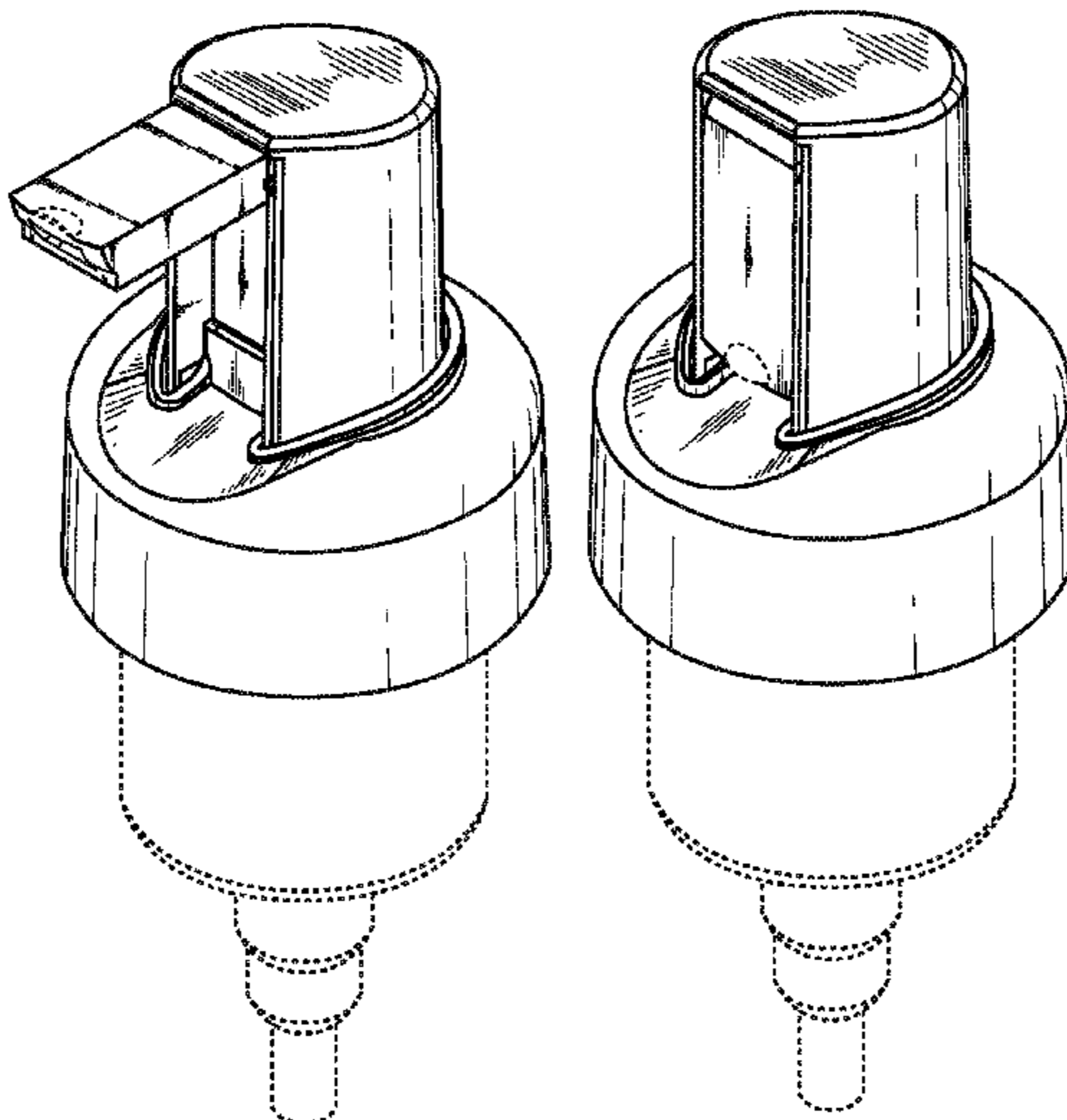
FIG. 14 is a rear elevation view thereof;

FIG. 15 is a right side view thereof; and,

FIG. 16 is a left side view thereof.

The broken lines are for environmental purposes only and form no part of the claimed design.

1 Claim, 16 Drawing Sheets



(56)

References Cited

U.S. PATENT DOCUMENTS

6,334,549 B1 1/2002 Fernandez et al.
 D528,912 S * 9/2006 van der Heijden D6/542
 D528,913 S * 9/2006 Penfold D9/448
 D529,384 S * 10/2006 van der Heijden D6/542
 D547,655 S * 7/2007 van der Heijden D9/434
 7,249,692 B2 7/2007 Walters et al.
 D567,655 S * 4/2008 Arminak D9/448
 D568,154 S * 5/2008 Arminak D9/448
 D574,707 S * 8/2008 Pietrowski D9/448
 D663,200 S * 7/2012 Dombrowski D9/448
 D666,909 S * 9/2012 Bloc D9/448
 D667,726 S * 9/2012 Bloc D9/448
 D678,064 S * 3/2013 Arminak D9/448
 D699,047 S * 2/2014 Lissoni D6/542
 D831,484 S * 10/2018 Jung D9/447
 D845,127 S * 4/2019 Arminak B05B 11/3059
 D9/449
 2008/0093386 A1* 4/2008 Arminak B05B 11/3047
 222/190

2010/0006606 A1 1/2010 Lee
 2015/0272398 A1* 10/2015 Arminak A47K 5/16
 222/190
 2017/0021376 A1 1/2017 Espinoza
 2019/0015860 A1* 1/2019 Arminak B05B 11/3059
 2019/0030556 A1* 1/2019 Arminak B05B 11/0091

FOREIGN PATENT DOCUMENTS

JP 10101115 4/1998
 WO 2017081594 5/2017
 WO 2017140542 8/2017

OTHER PUBLICATIONS

Amazon. InterDesign Cora Glass Foaming Soap Pump Dispenser. No date specified. <https://amzn.to/2JvD3E9> (Year: 0).
 USPTO, International Search Report and Written Opinion issued in related International Patent Application No. PCT/US2018/029632 dated Jul. 6, 2018, 16 pages.

* cited by examiner

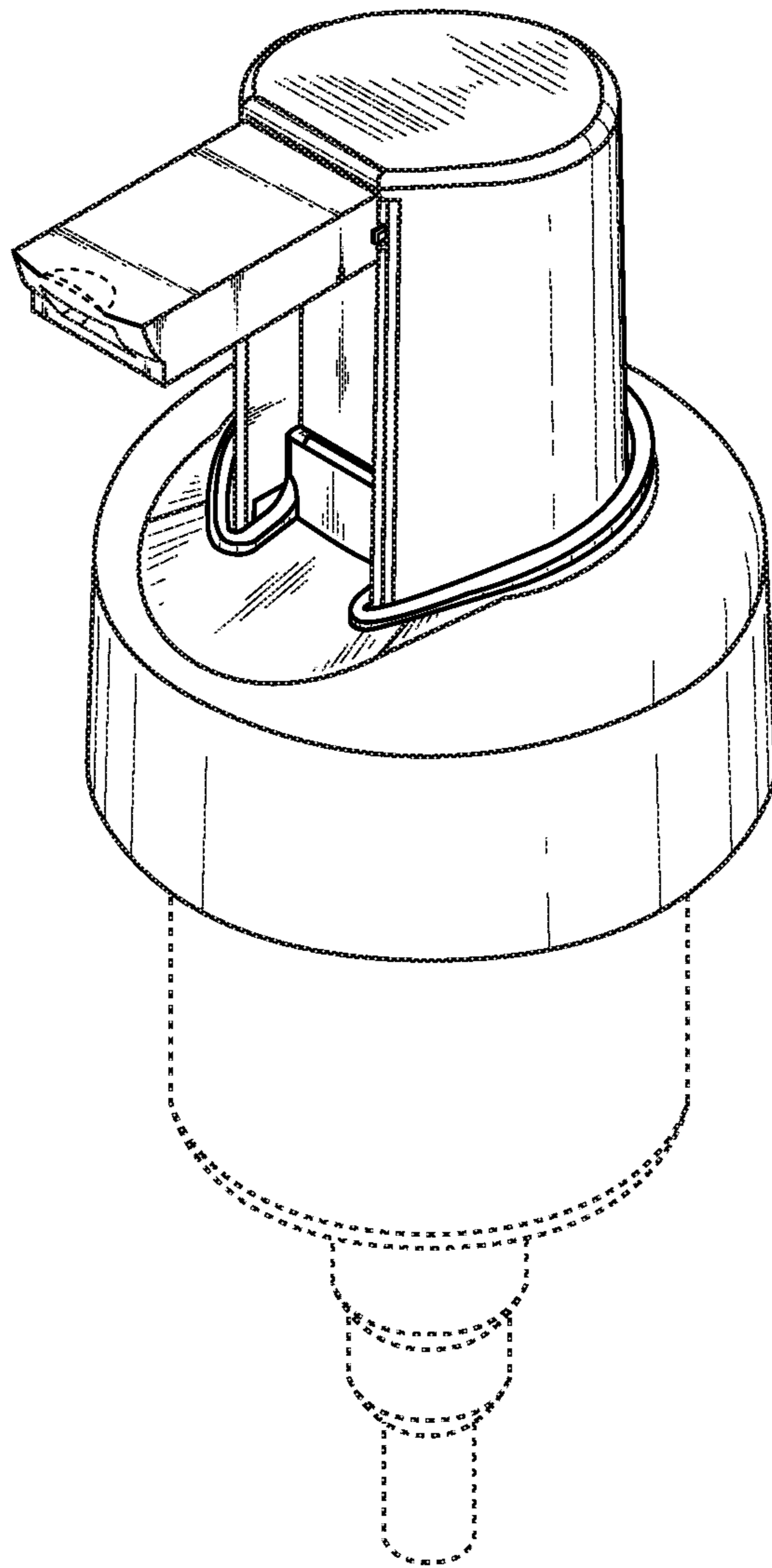


Fig. 1

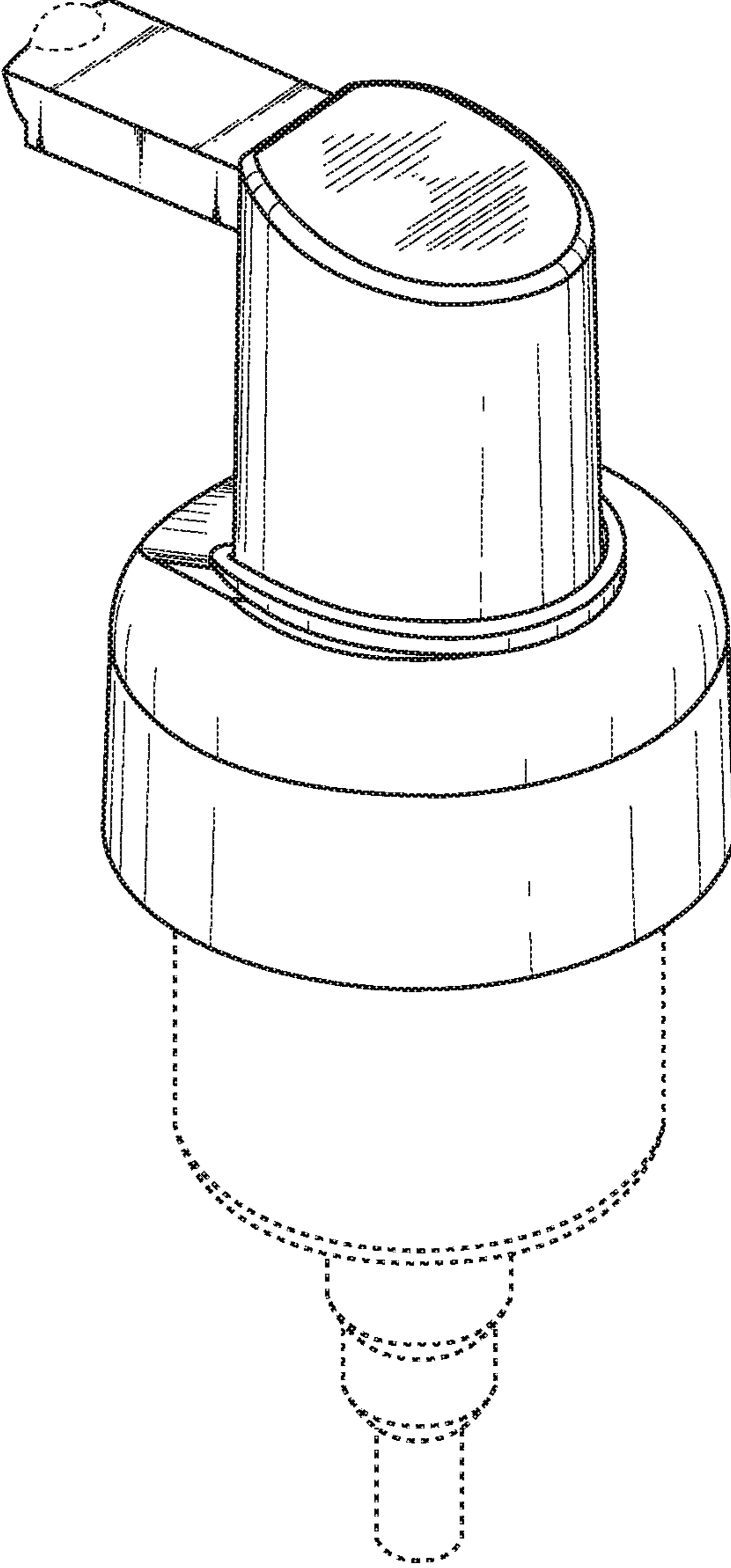


Fig. 2

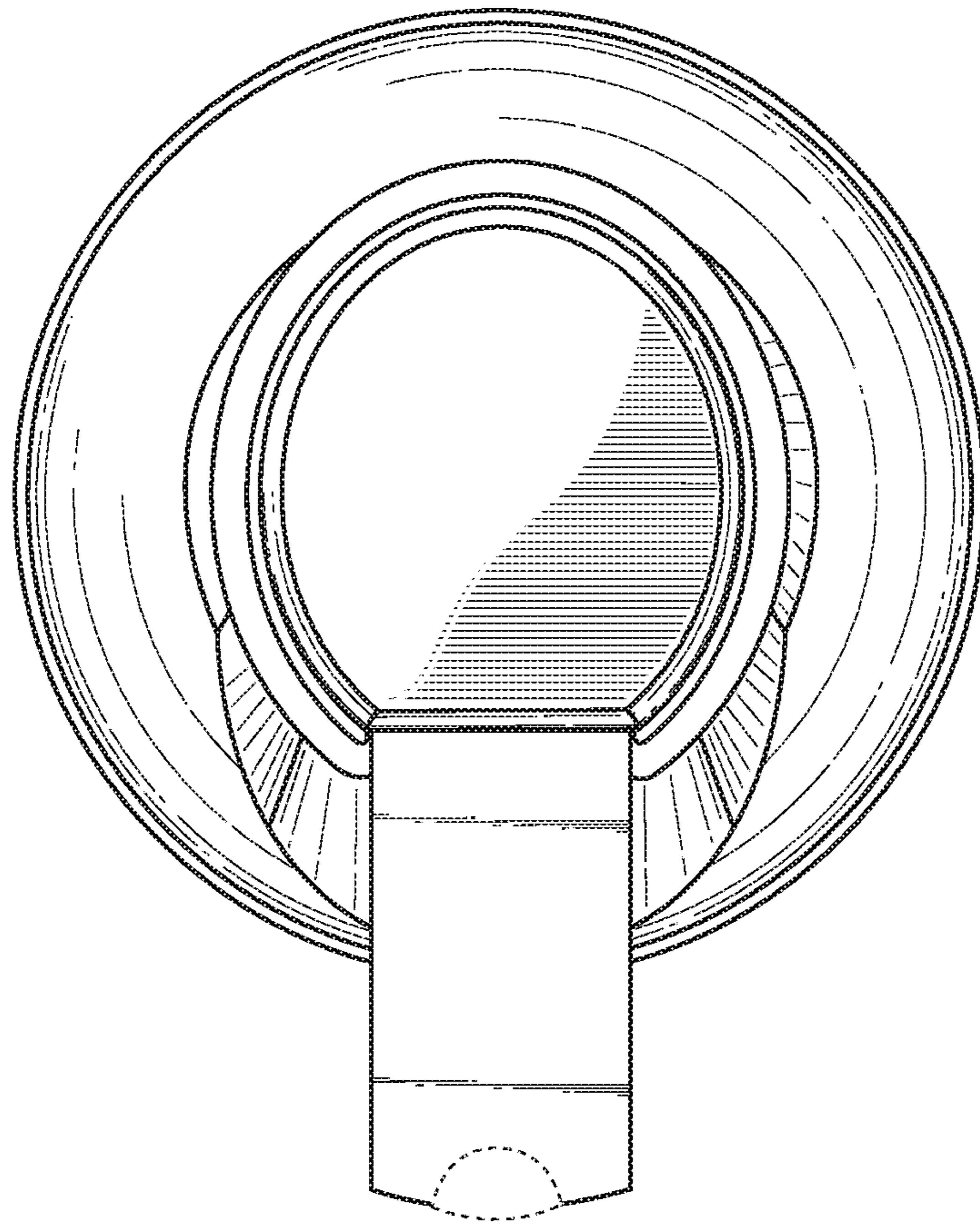


Fig. 3

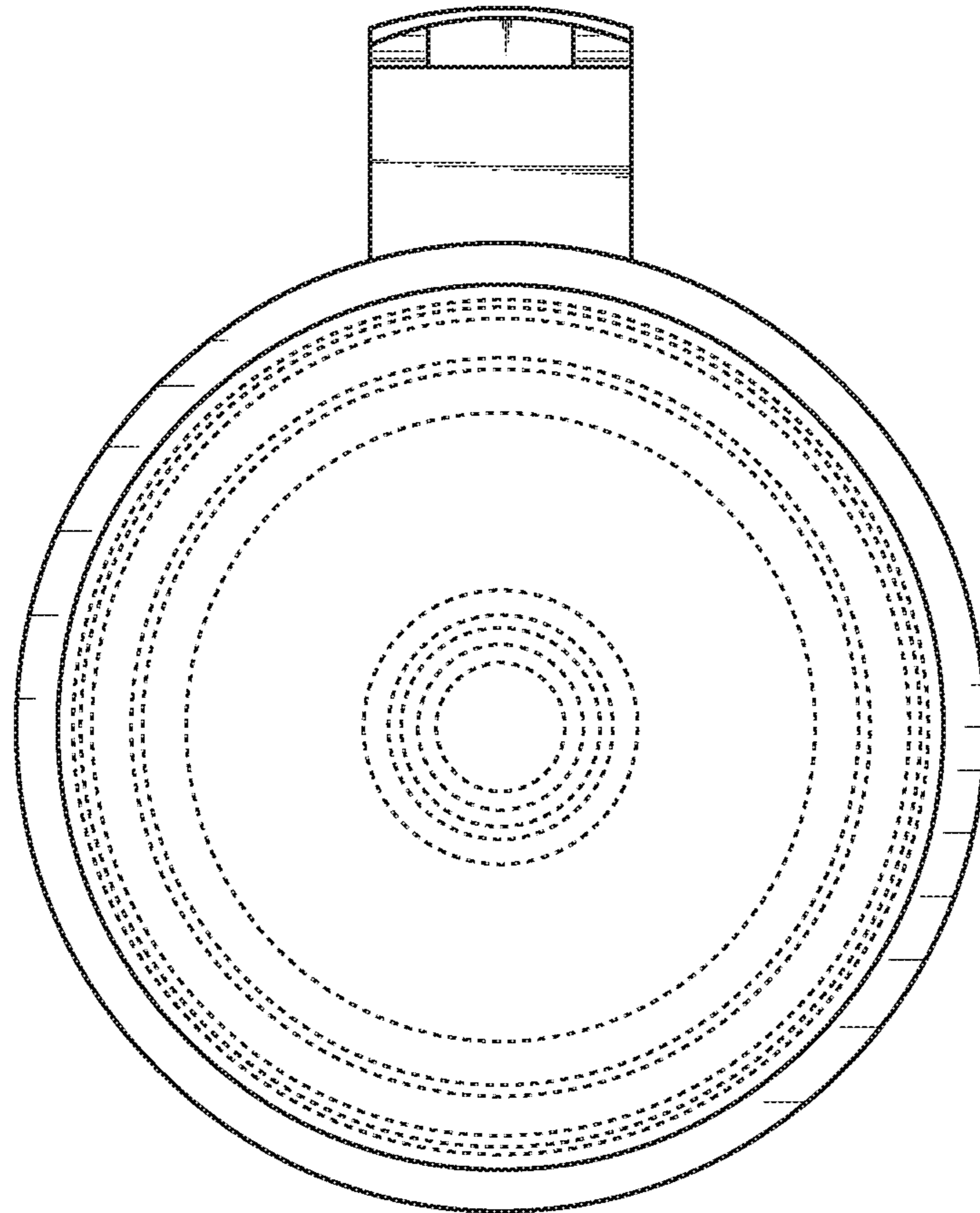


Fig. 4

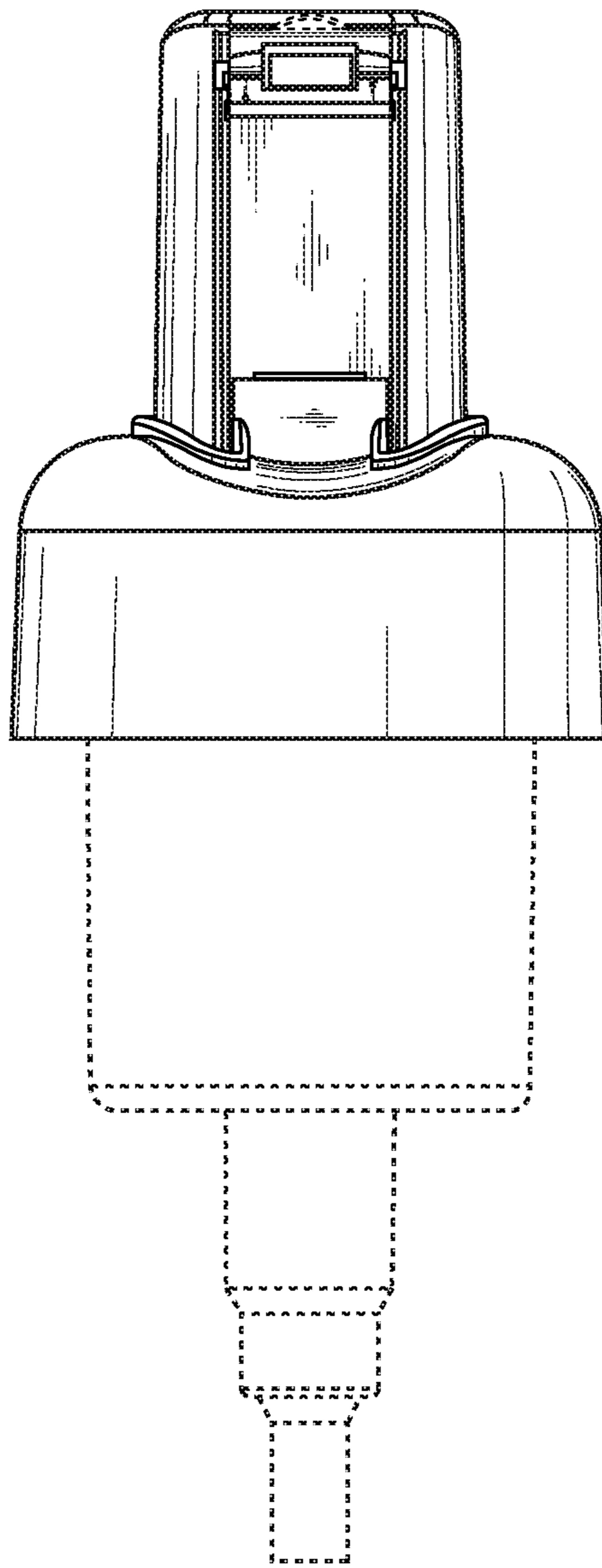


Fig. 5

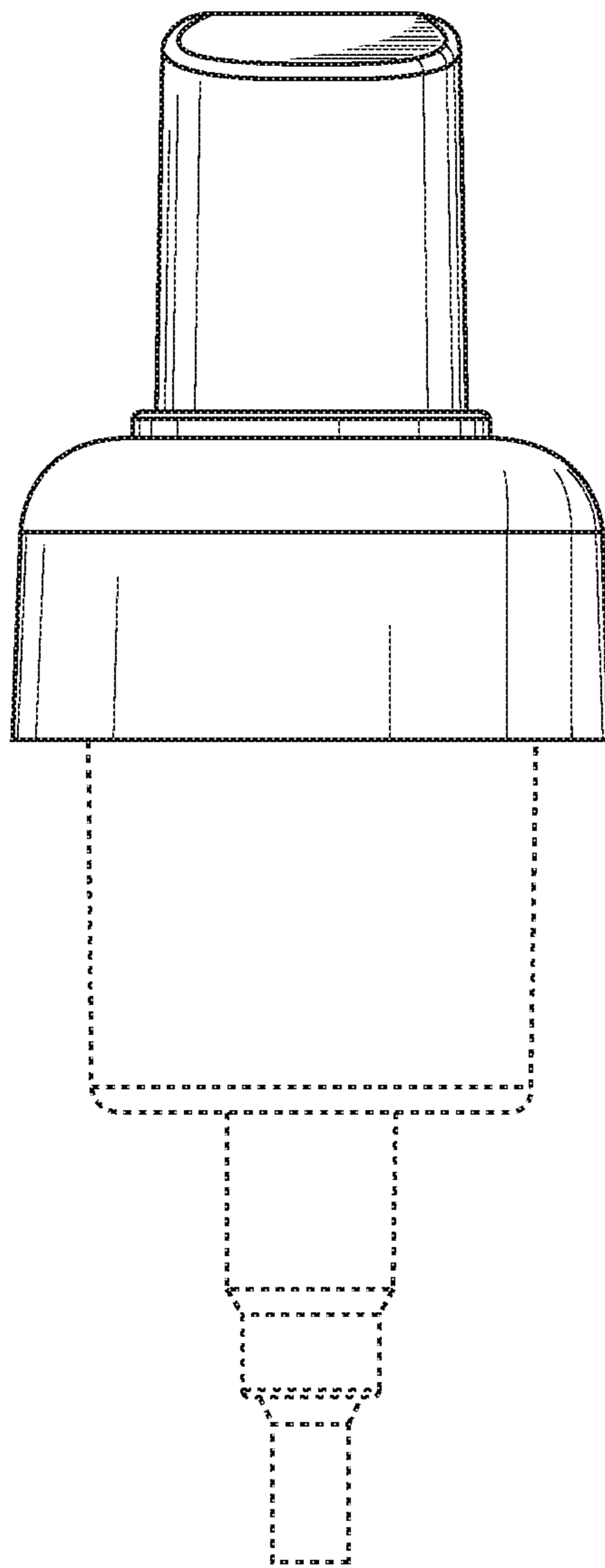


Fig. 6

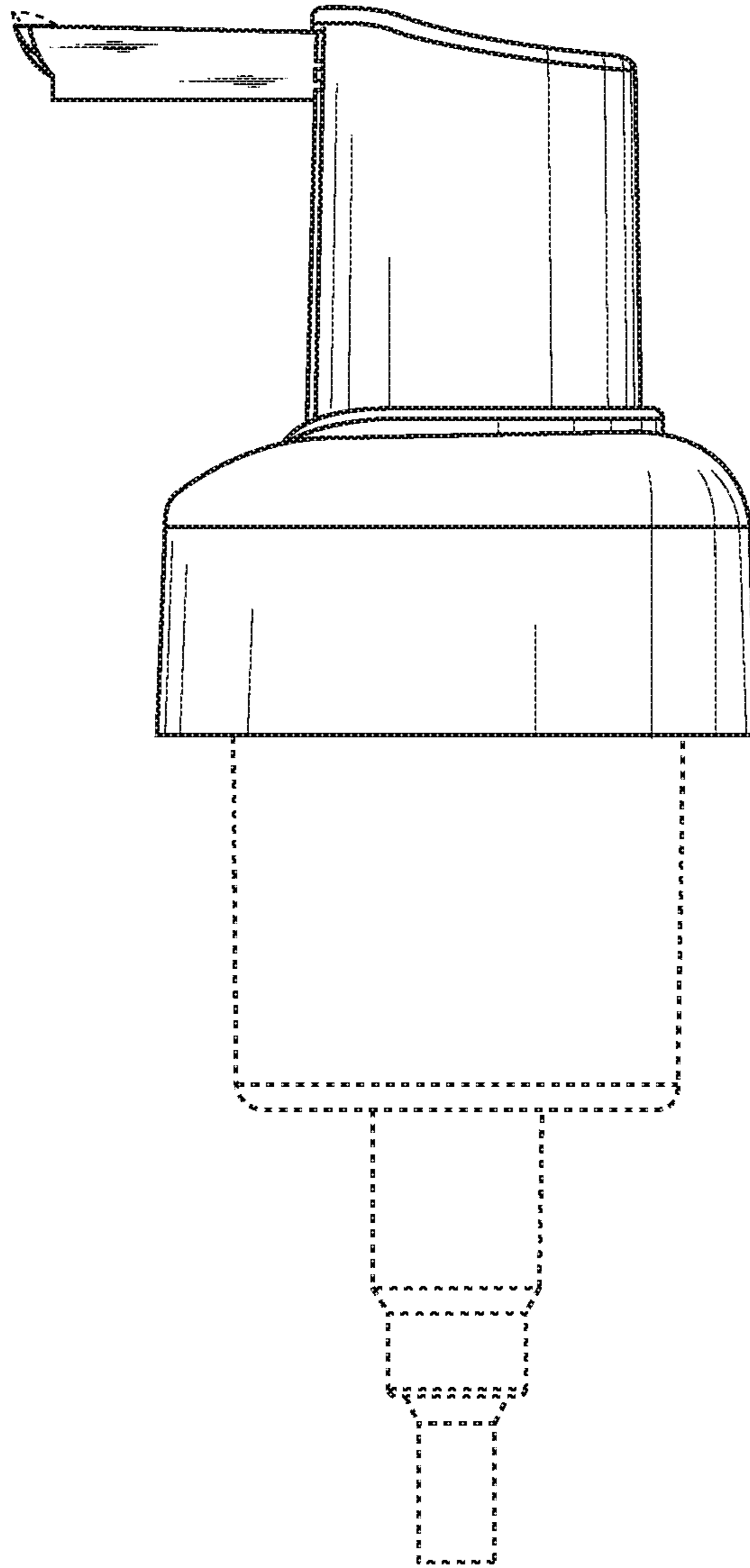


Fig. 7

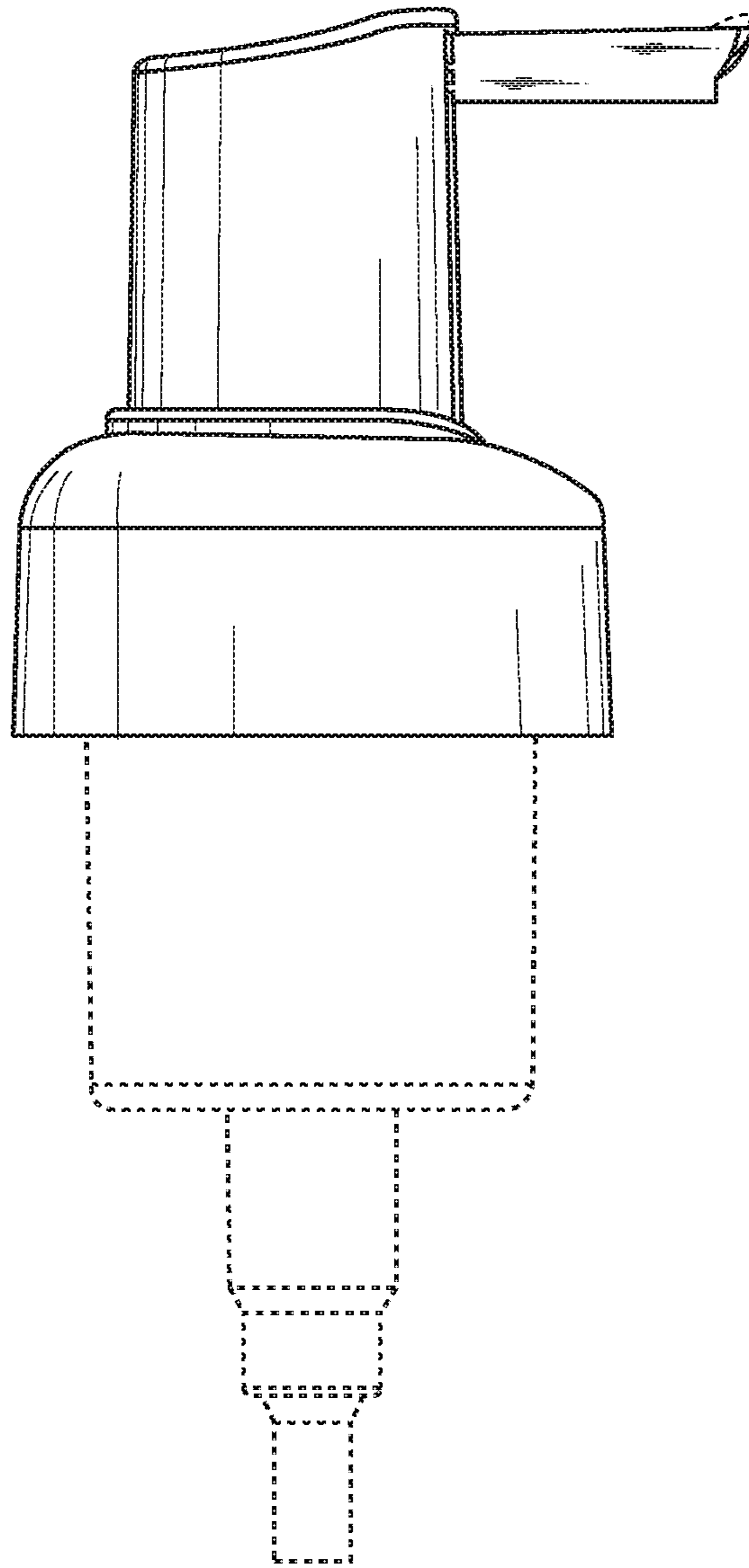


Fig. 8

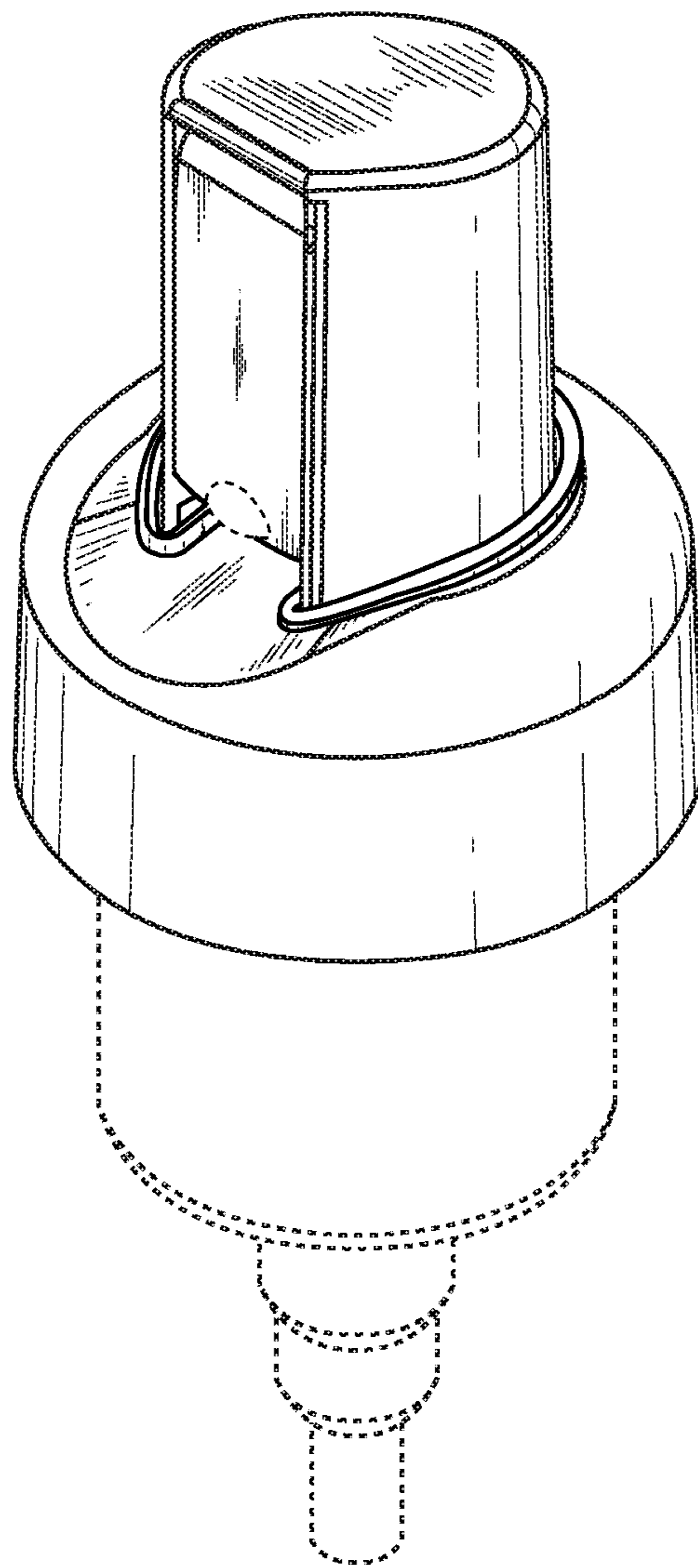


Fig. 9

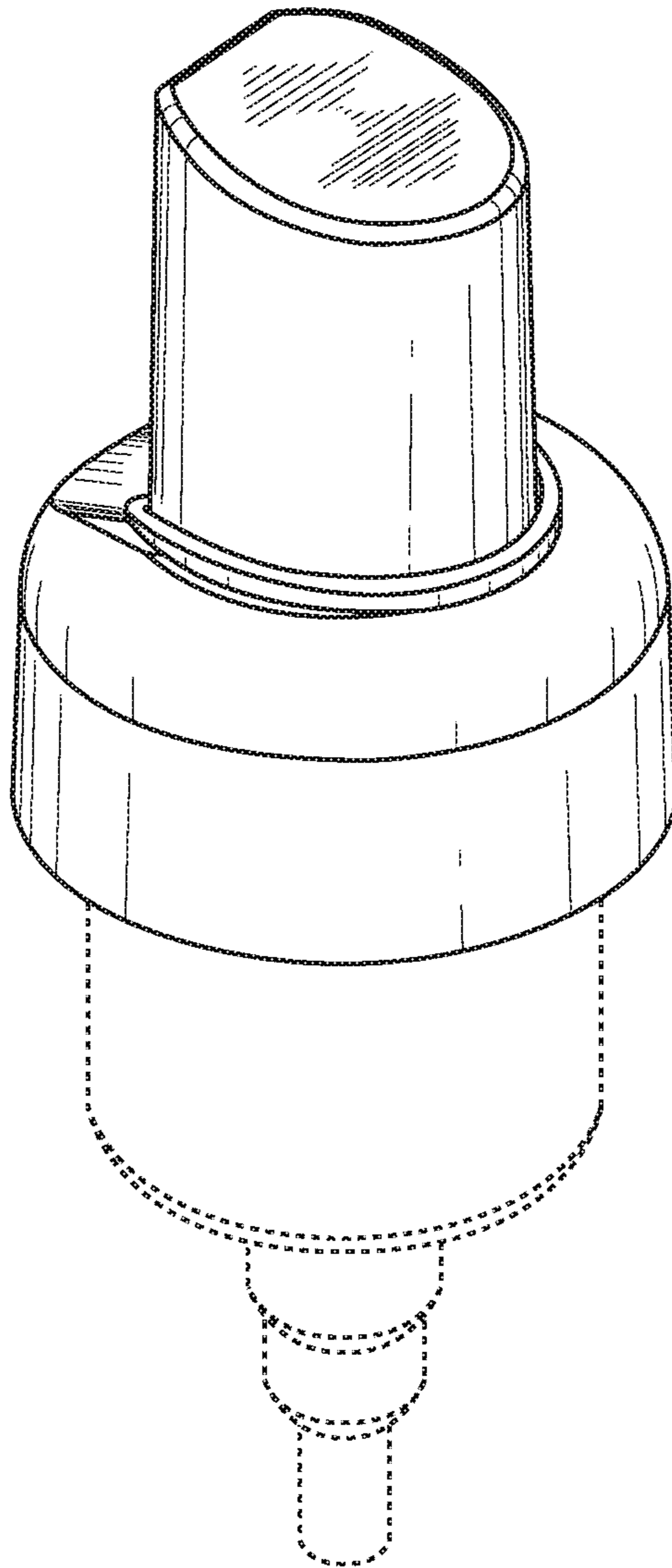


Fig. 10

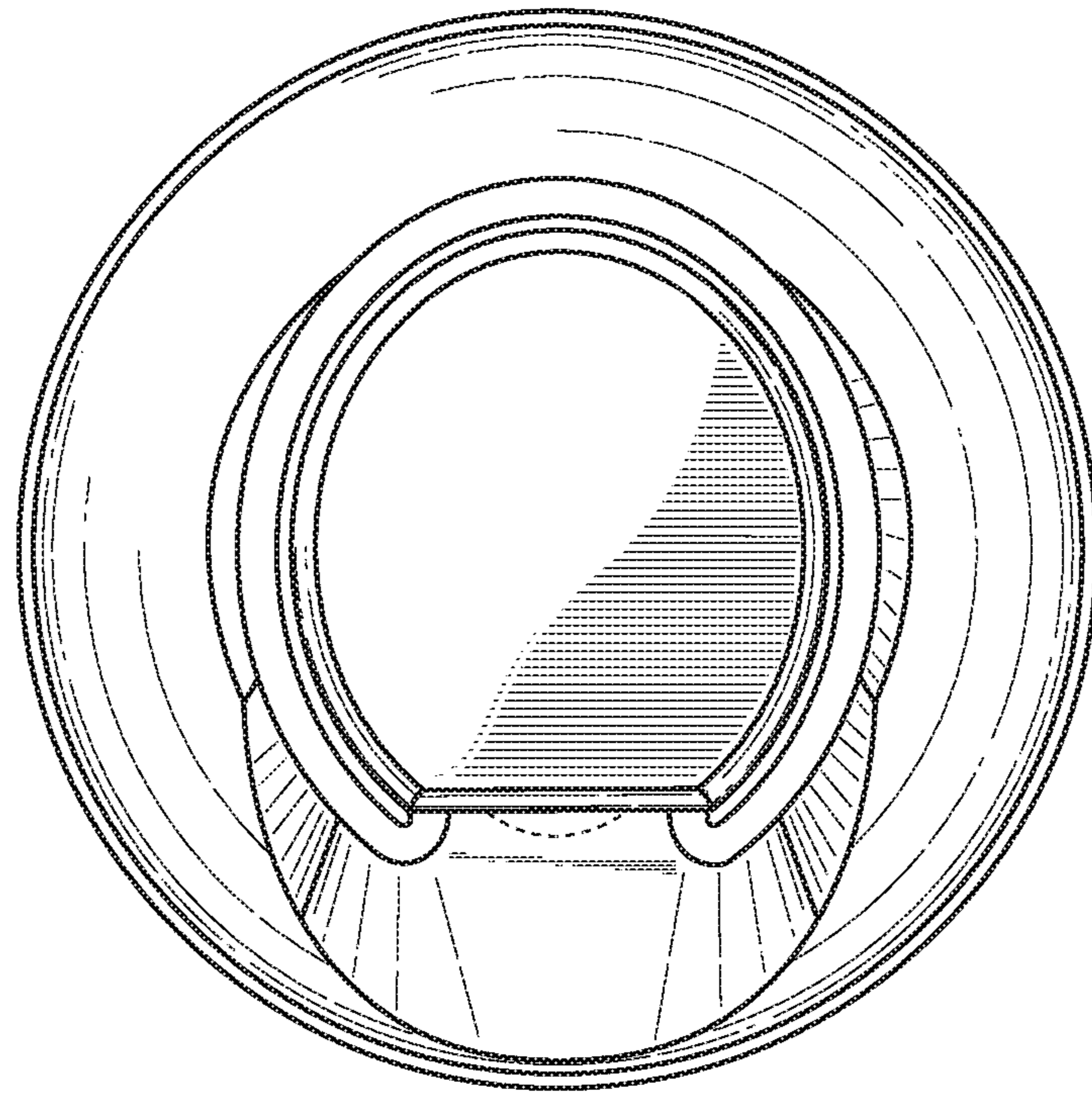


Fig. 11

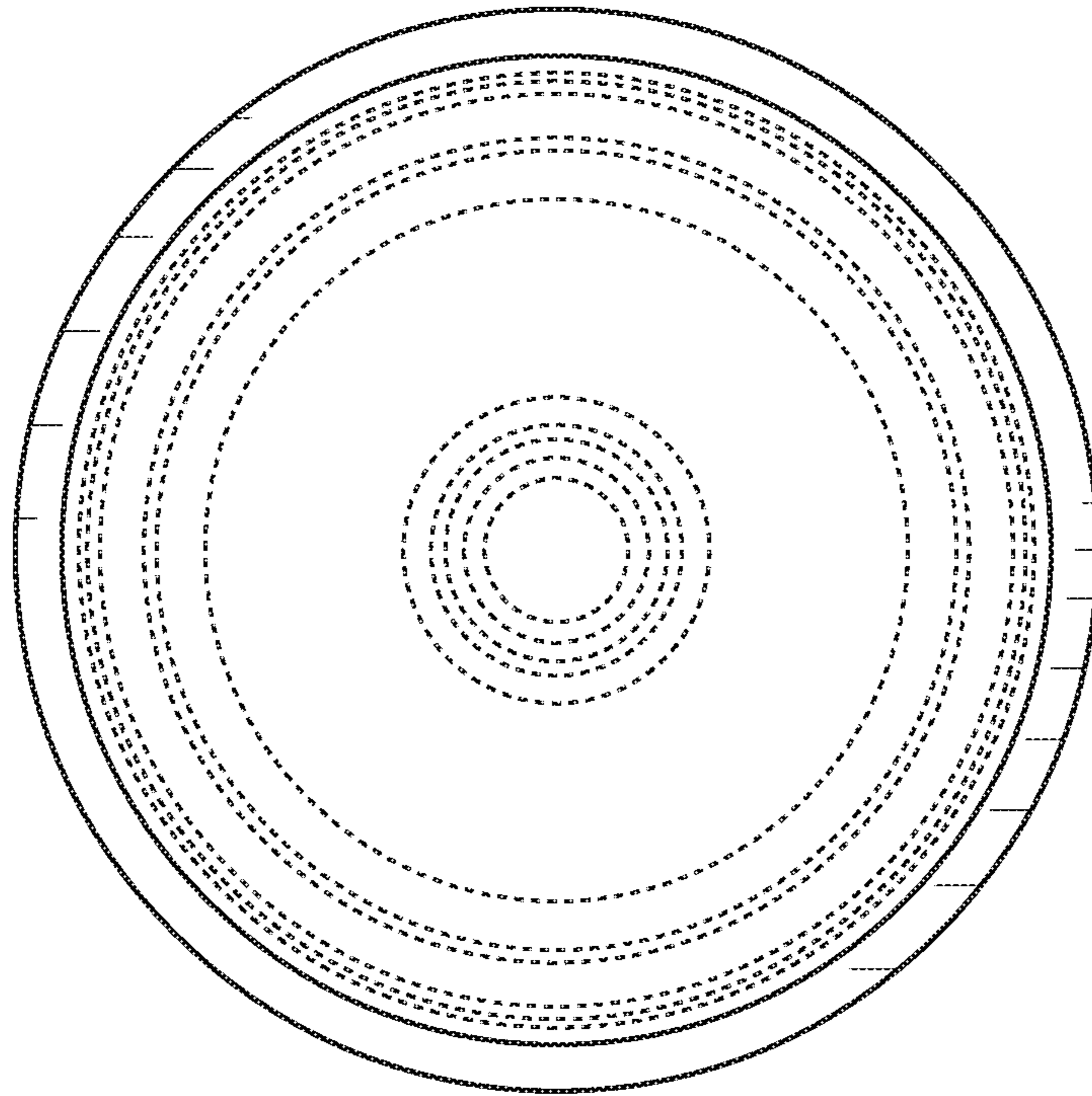


Fig. 12

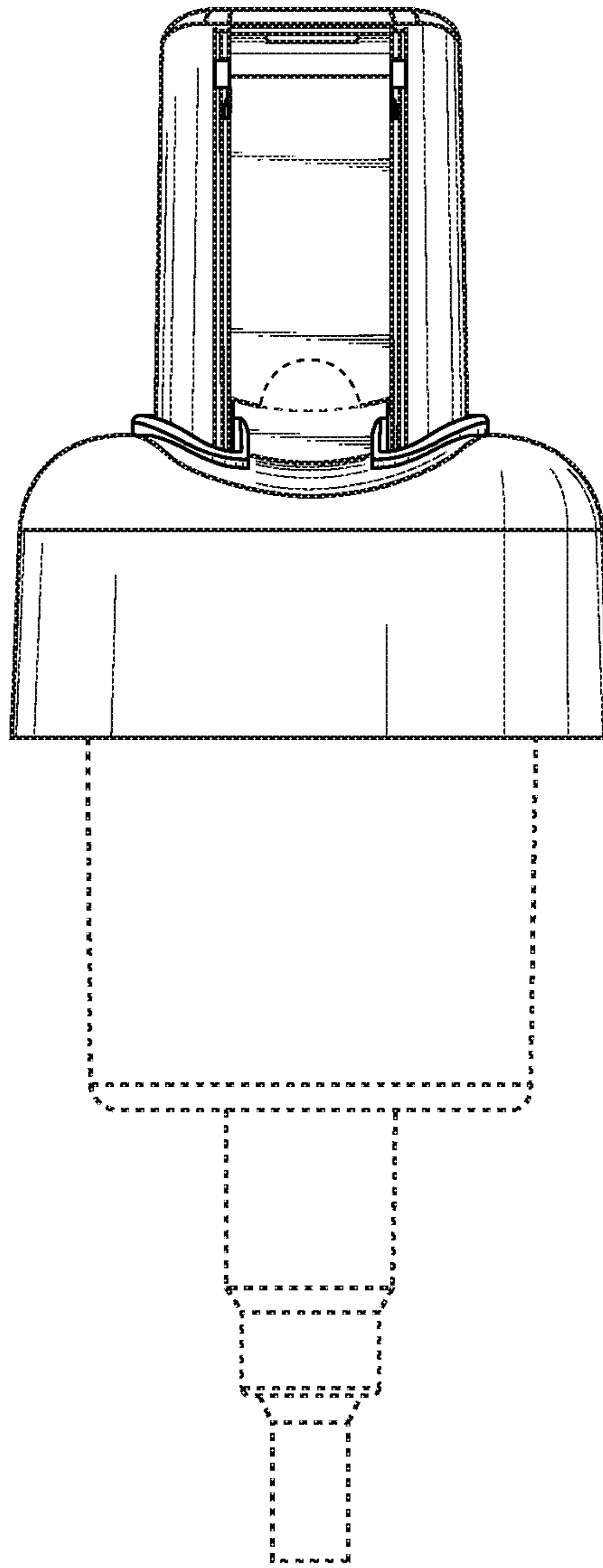


Fig. 13

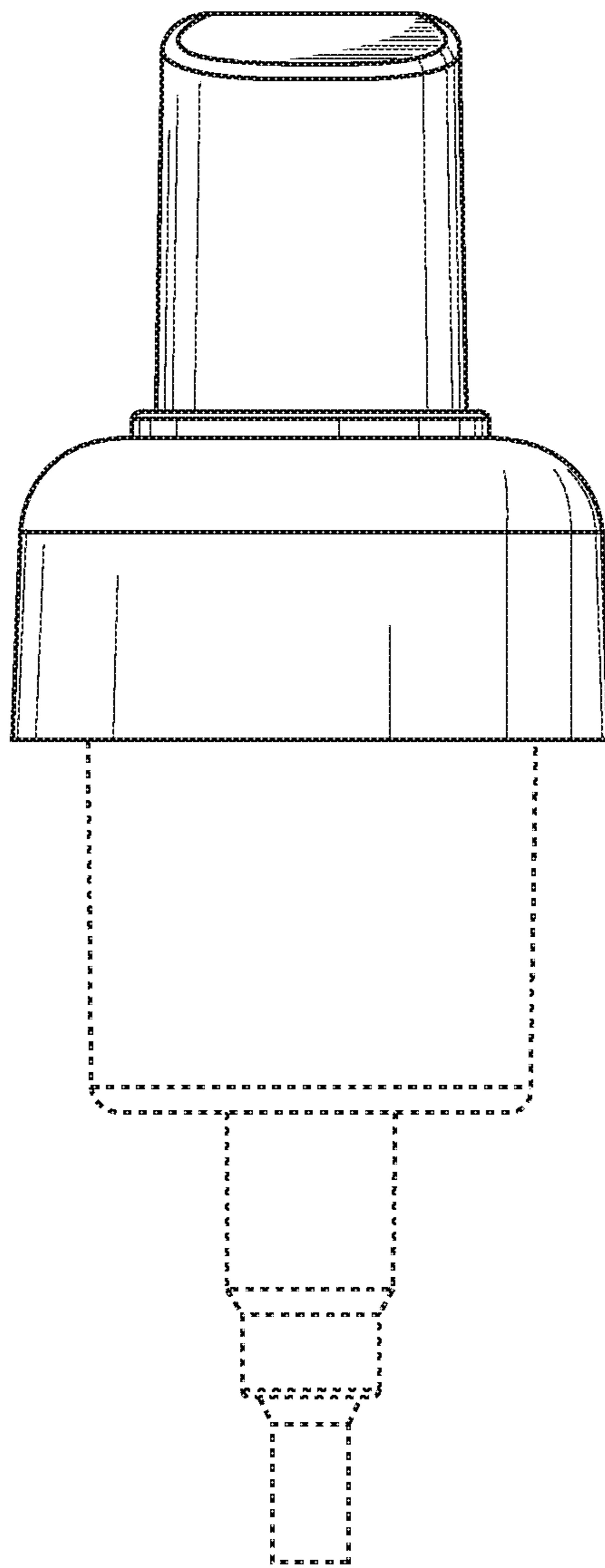


Fig. 14

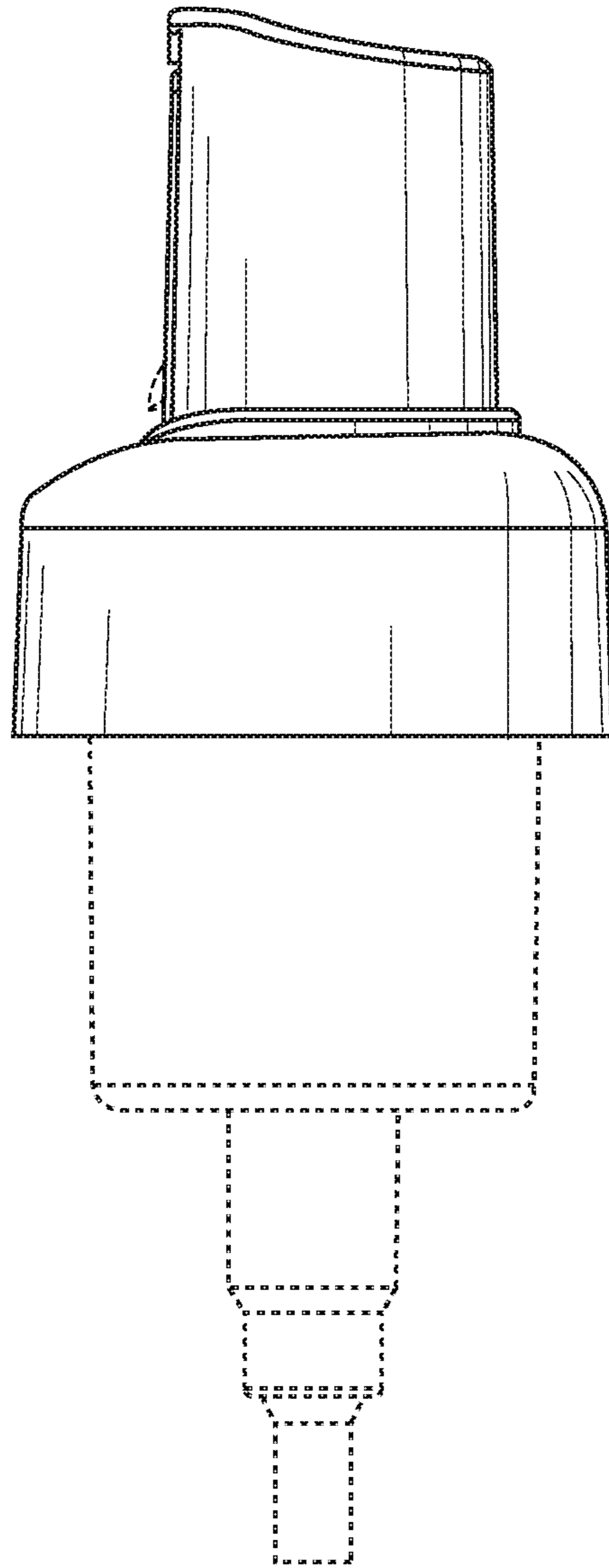


Fig. 15

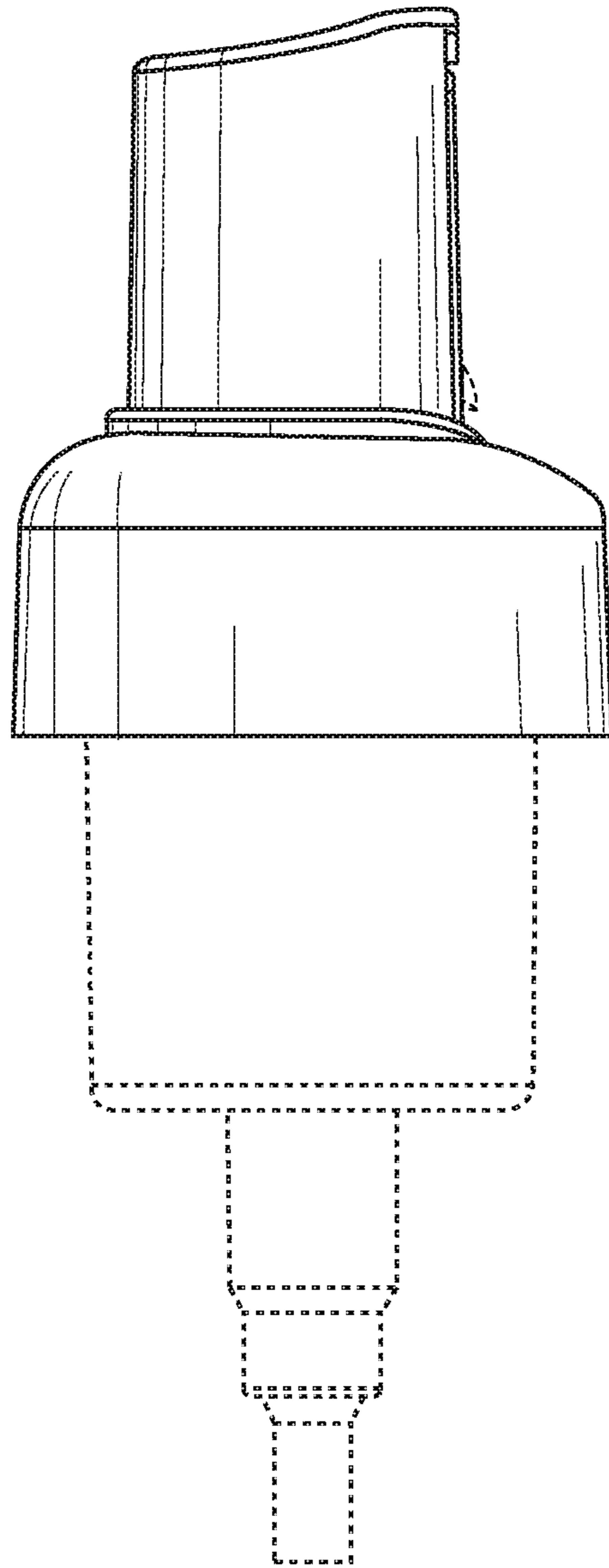


Fig. 16