



US00D876233S

(12) **United States Design Patent** (10) **Patent No.:** **US D876,233 S**
Pan (45) **Date of Patent:** **** Feb. 25, 2020**

(54) **CUP LID**
(71) Applicant: **Wei Chih Pan**, Taoyuan (TW)
(72) Inventor: **Wei Chih Pan**, Taoyuan (TW)
(**) Term: **15 Years**
(21) Appl. No.: **29/649,189**
(22) Filed: **May 28, 2018**
(51) **LOC (12) Cl.** **09-07**
(52) **U.S. Cl.**
USPC **D9/447; D7/392.1; D7/396.2**
(58) **Field of Classification Search**
USPC D9/414, 416, 425, 434, 435, 436, 438,
D9/439, 440, 442, 443, 446-450,
D9/452-457, 499, 503-505, 682, 685,
D9/686; D7/387, 391, 392, 392.1, 393,
D7/394, 396.1-396.4, 401.1, 503-505,
D7/509-511, 538, 900; D3/201, 202,
D3/203.2, 318; D28/91, 91.1
CPC .. A61J 1/00; A61J 1/1412; B65D 1/00; B65D
1/02; B65D 1/10; B65D 1/46; B65D
2585/56; B65D 2585/545; B65D 41/00;
B65D 41/38; B65D 41/56; B65D 41/62;
B65D 47/00; B65D 47/06; B65D 47/08;
B65D 2543/00046; B65D 2543/00092;
B65D 2543/00296; B65D 5/46; B65D
2251/00
See application file for complete search history.

(56) **References Cited**
U.S. PATENT DOCUMENTS
D369,109 S * 4/1996 Proshan D7/392.1
6,089,397 A * 7/2000 Van Melle B65D 43/0268
220/254.7

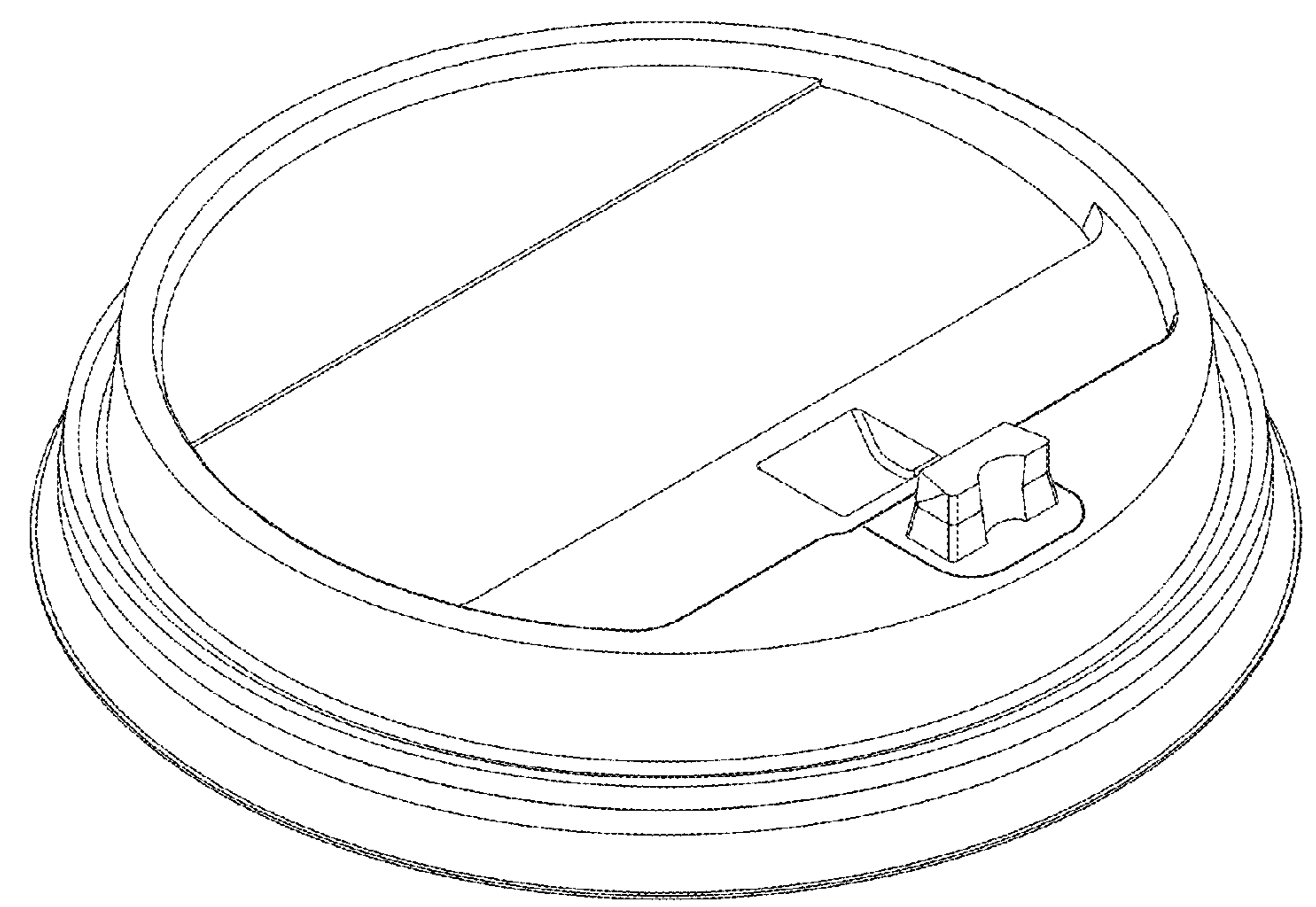
D447,412 S * 9/2001 Durdon D9/438
D476,891 S * 7/2003 Clarke D9/447
D493,718 S * 8/2004 Durdon D9/435
D514,444 S * 2/2006 Smith D9/447
D537,717 S * 3/2007 Notarianni D9/447
D570,686 S * 6/2008 Hollis D9/447
D614,954 S * 5/2010 Crowell D9/447
D624,413 S * 9/2010 Selina D9/447
D634,192 S * 3/2011 Mueller D9/436
D696,940 S * 1/2014 Hale D9/447
D721,584 S * 1/2015 Koennecke D9/447
D722,873 S * 2/2015 Wu D9/447
9,113,733 B2 * 8/2015 Wu B65D 47/0847
D816,495 S * 5/2018 Chou D9/447
D838,590 S * 1/2019 Lee D9/447
D839,731 S * 2/2019 Lin D9/447

* cited by examiner
Primary Examiner — Michael A. Pratt
Assistant Examiner — Wendy L Arminio
(74) *Attorney, Agent, or Firm* — Jackson IPG PLLC;
Demian K. Jackson

(57) **CLAIM**
The ornamental design for a cup lid, as shown and described.

DESCRIPTION
FIG. 1 is a top perspective view of a cup lid showing my new design;
FIG. 2 is a front elevational view thereof;
FIG. 3 is a rear elevational view thereof;
FIG. 4 is a left side elevational view thereof;
FIG. 5 is a right side elevational view thereof;
FIG. 6 is a top plan view thereof;
FIG. 7 is a bottom plan view thereof; and,
FIG. 8 is a reference cross-sectional view taken in the direction of line 8-8 shown in FIG. 6.

1 Claim, 8 Drawing Sheets



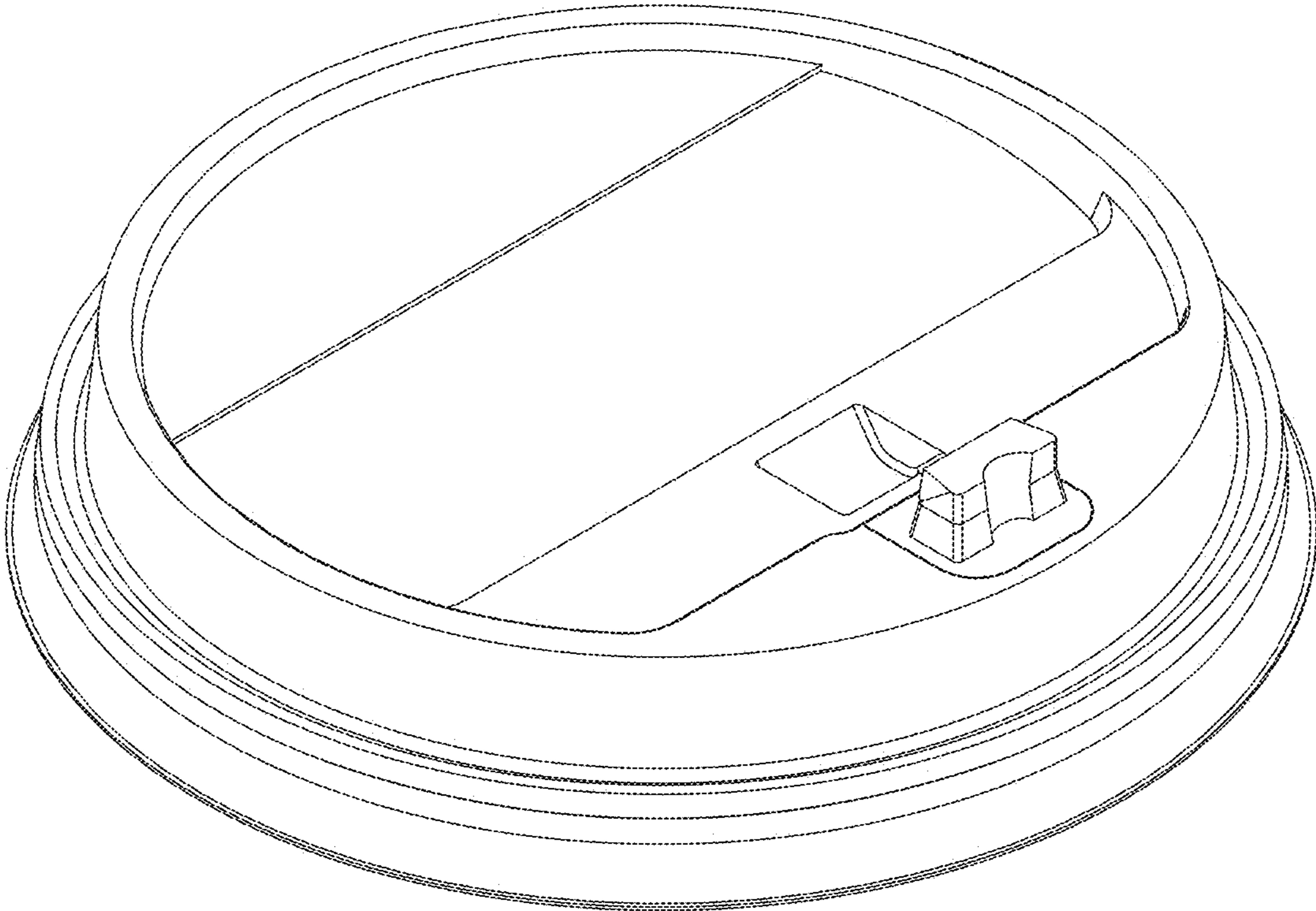


Fig.1

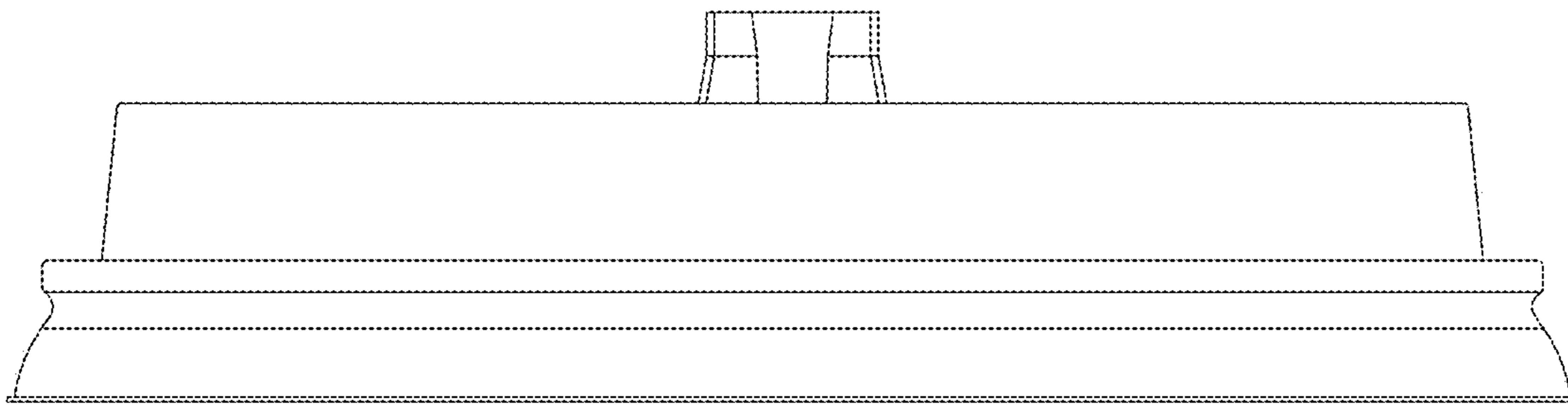


Fig.2

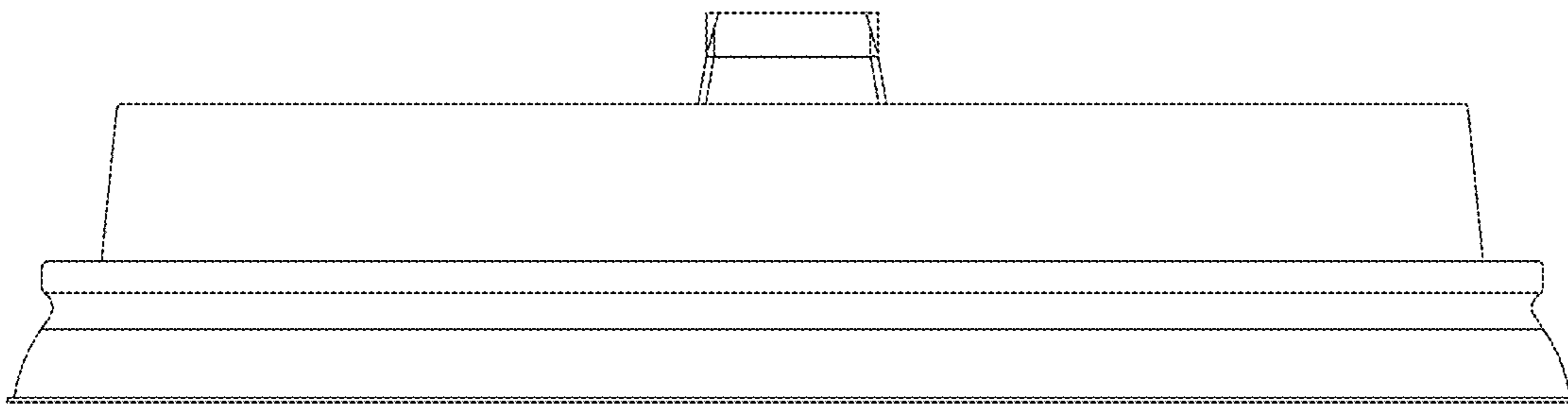


Fig.3

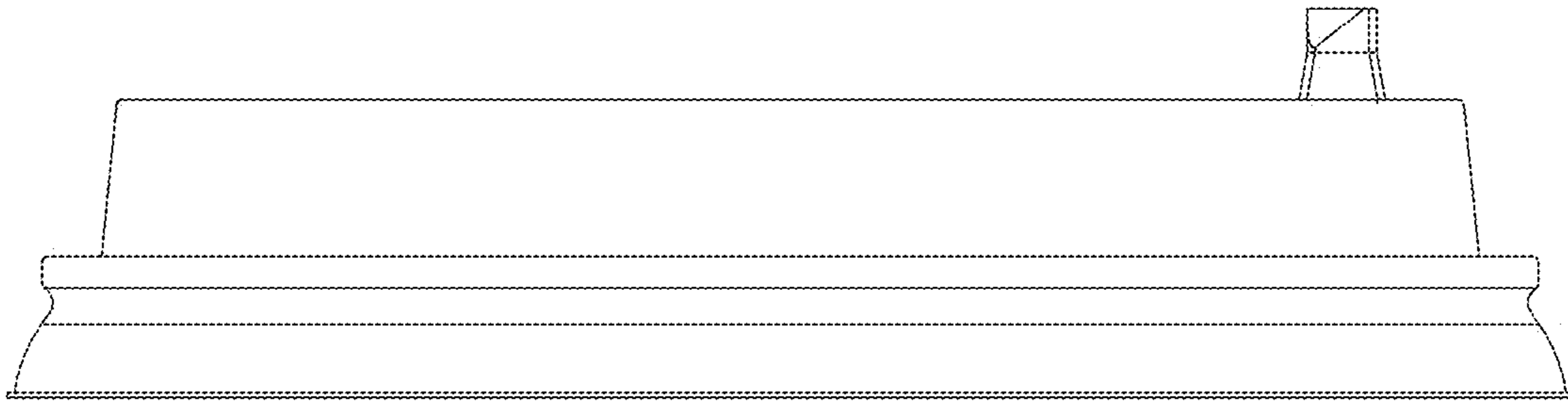


Fig.4

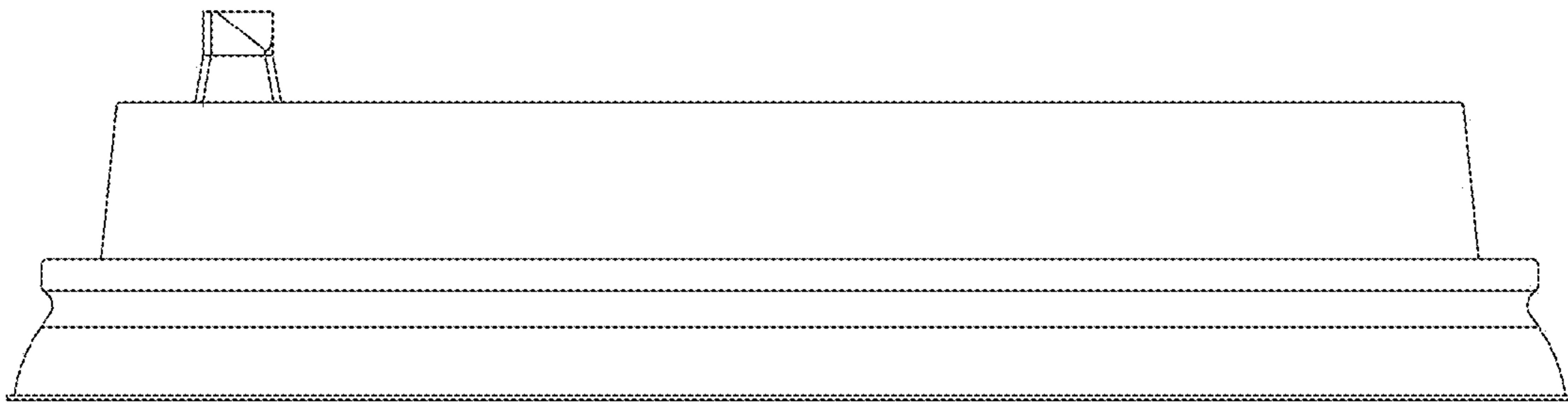


Fig.5

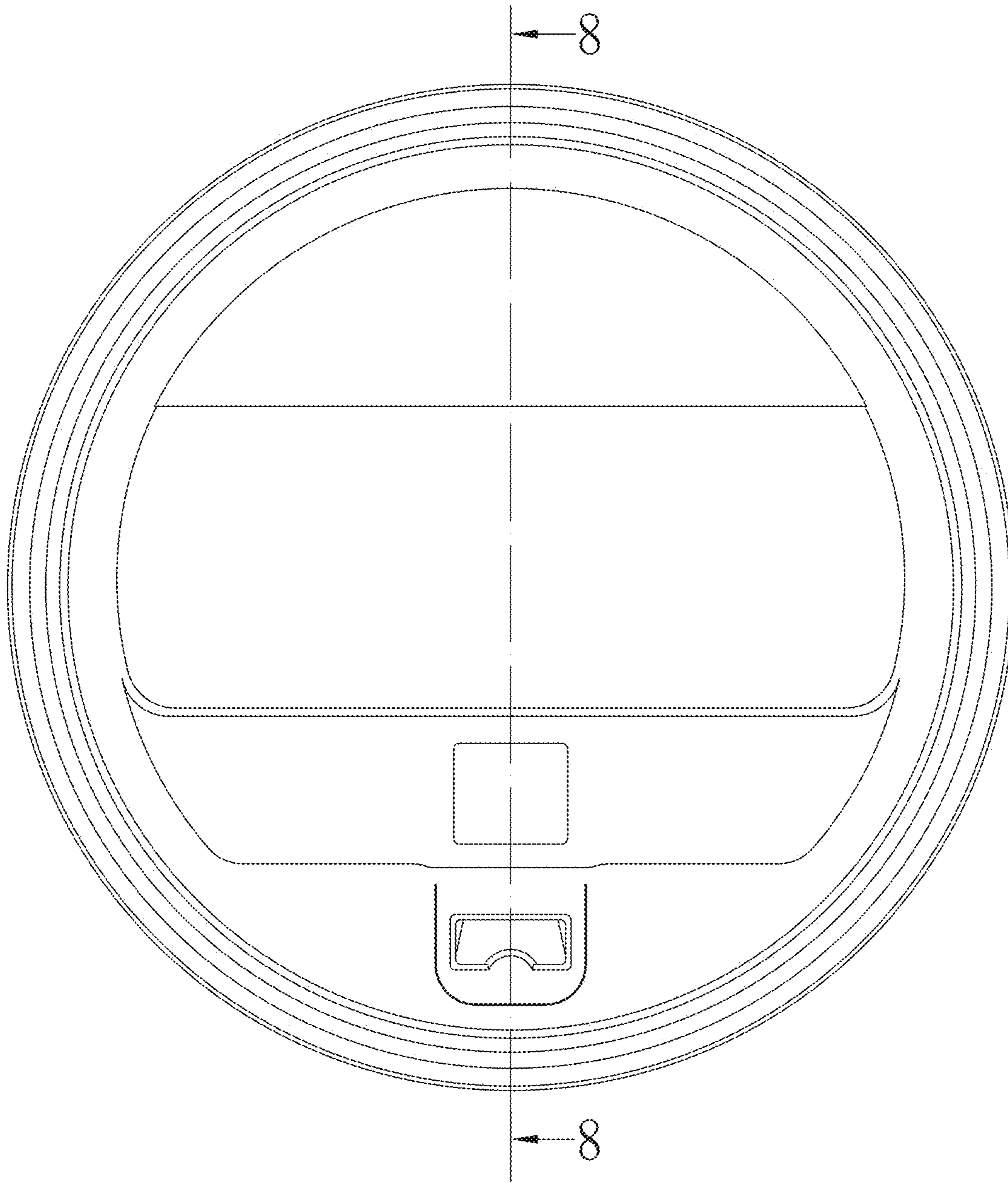


Fig.6

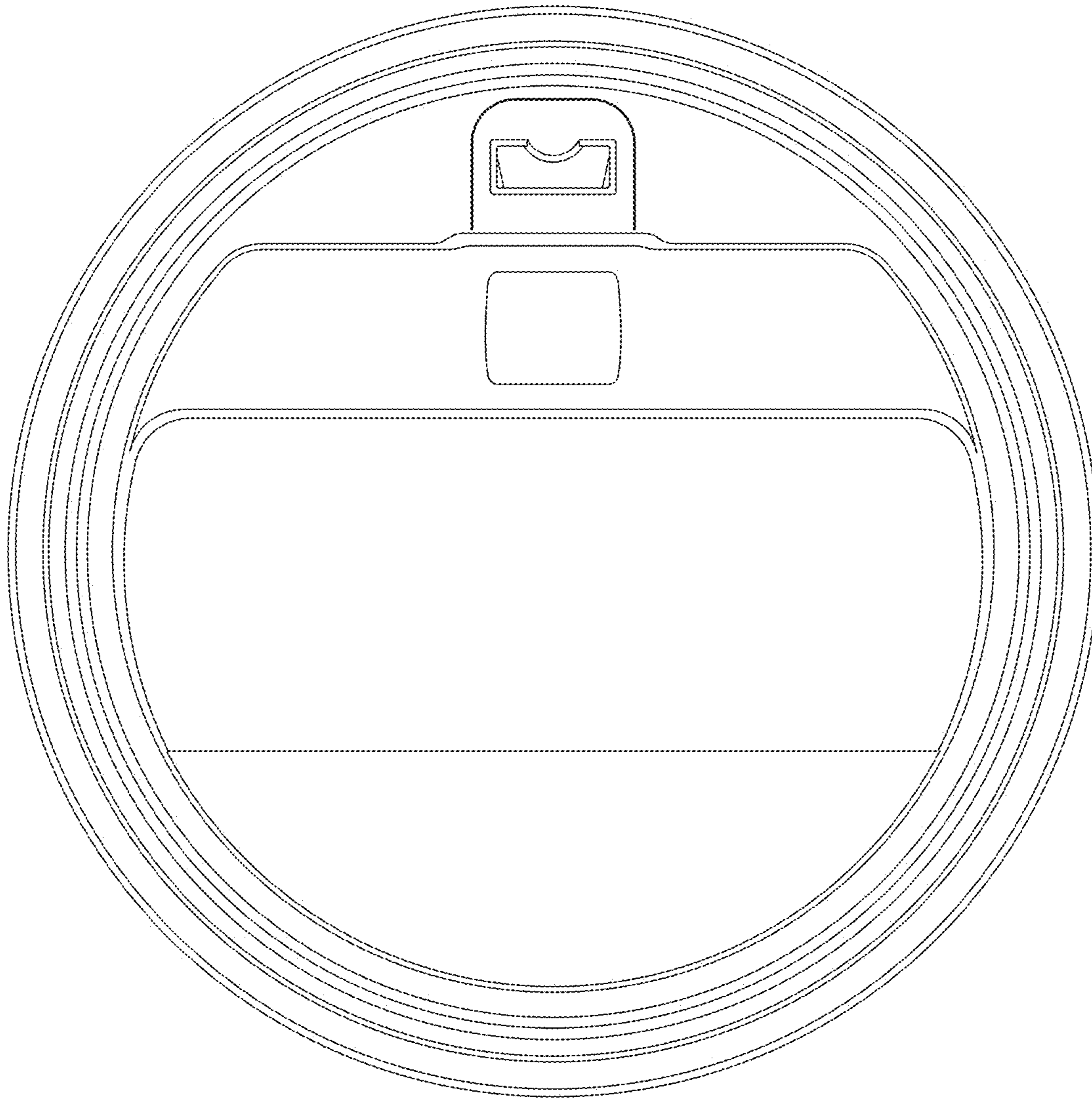


Fig.7

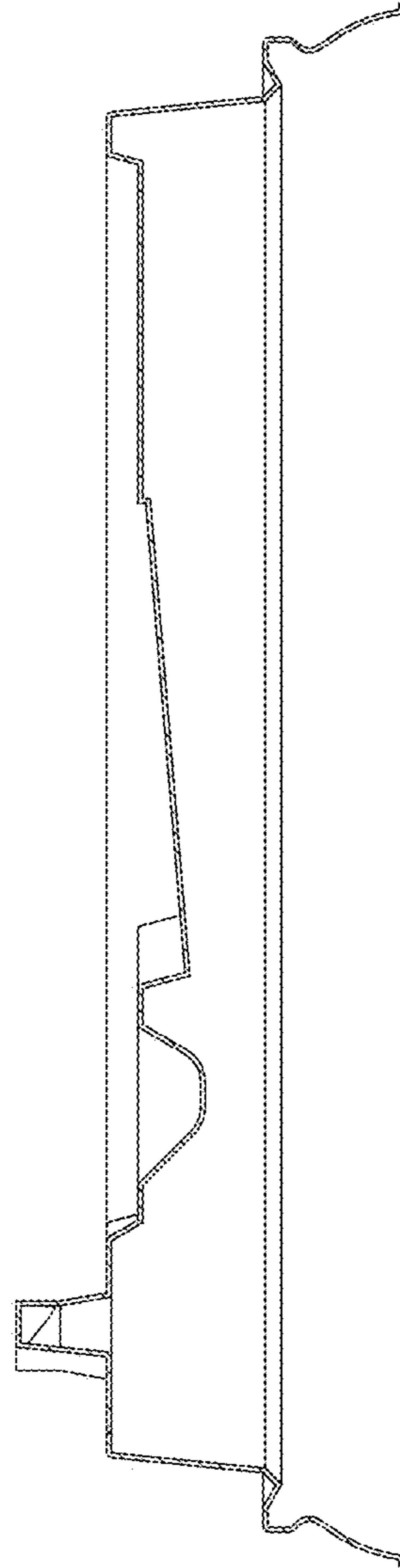


Fig.8