



US00D876231S

(12) **United States Design Patent** (10) **Patent No.:** **US D876,231 S**
Pellingra (45) **Date of Patent:** **** Feb. 25, 2020**

(54) **ONE HANDED DISPENSER FOR CONTAINER**
(71) Applicant: **ProAmpac Intermediate, Inc.**, Cincinnati, OH (US)
(72) Inventor: **Salvatore J. Pellingra**, Newport, KY (US)
(73) Assignee: **PROAMPAC HOLDINGS INC.**, Cincinnati, OH (US)

D380,670 S * 7/1997 Blocker D9/434
D386,409 S * 11/1997 Santini D9/434
D412,665 S * 8/1999 Smith D9/434
D421,221 S * 2/2000 O’Kane D3/328
D479,985 S * 9/2003 Lowance D9/742
D512,648 S * 12/2005 Smith D9/702
D657,259 S * 4/2012 Garneau D9/702
D676,319 S * 2/2013 Wadt D9/448
D736,097 S * 8/2015 Bailey D9/702
D742,227 S * 11/2015 Wisniewski D9/443
D744,831 S * 12/2015 Geeting D9/448
D819,896 S * 6/2018 Bartz D30/127
D825,331 S * 8/2018 Thwaites D9/443

(**) Term: **15 Years**

* cited by examiner

(21) Appl. No.: **29/629,843**

Primary Examiner — Darcey E Gottschalk
(74) *Attorney, Agent, or Firm* — McLane Middleton, Professional Association

(22) Filed: **Dec. 15, 2017**

(51) **LOC (12) Cl.** **09-07**

(52) **U.S. Cl.**
USPC **D9/443; D9/447**

(57) **CLAIM**

The ornamental design for a one handed dispenser for container, substantially as shown and described.

(58) **Field of Classification Search**
USPC D7/392, 392.1, 396.2, 393, 648, 687, D7/709; D9/434, 436, 443, 446, 499, D9/448, 503, 527, 528, 531, 702, 703, D9/707, 720, 742, 447
CPC B05B 7/30; B05B 11/3059; B05B 11/3001
See application file for complete search history.

DESCRIPTION

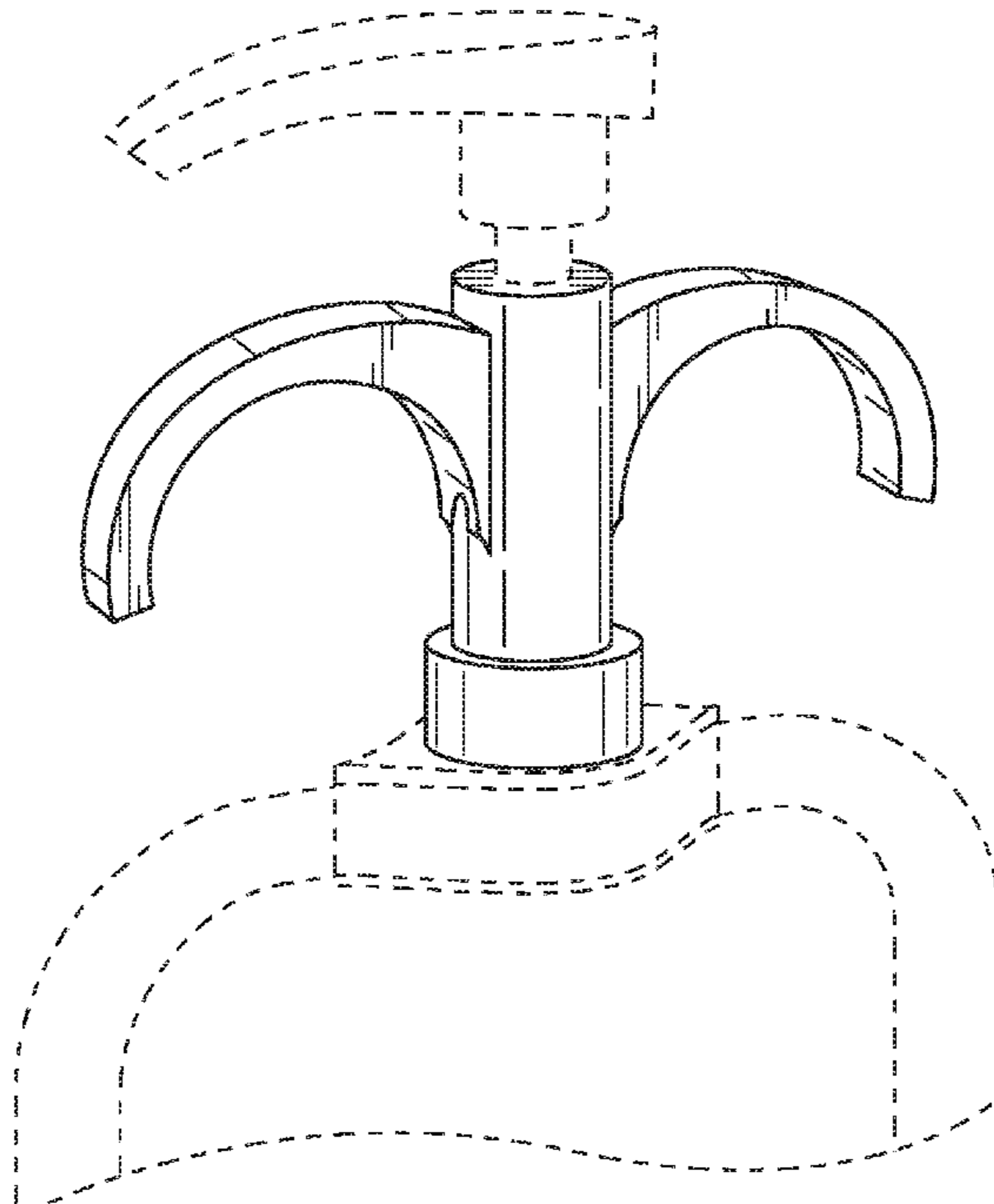
FIG. 1 is a front perspective view of a one handed dispenser for container affixed to a pouch in accordance with the present invention;
FIG. 2 is a top plan view of the one handed dispenser for container of FIG. 1;
FIG. 3 is a front elevation view of the one handed dispenser for container affixed to a pouch of FIG. 1; and,
FIG. 4 is a right side elevation view of the one handed dispenser for container of FIG. 1.
In the drawings, the broken lines show portions of a one handed dispenser for container that form no part of the claim.

(56) **References Cited**

U.S. PATENT DOCUMENTS

D24,291 S * 5/1895 Somer D34/28
D158,307 S * 4/1950 Molitor D7/687
D272,135 S * 1/1984 Hayes D9/434
D291,763 S * 9/1987 Dunn D7/687
D334,888 S * 4/1993 Merritt D30/124
D374,620 S * 10/1996 McQuade D9/434
D379,432 S * 5/1997 Santini D9/434

1 Claim, 4 Drawing Sheets



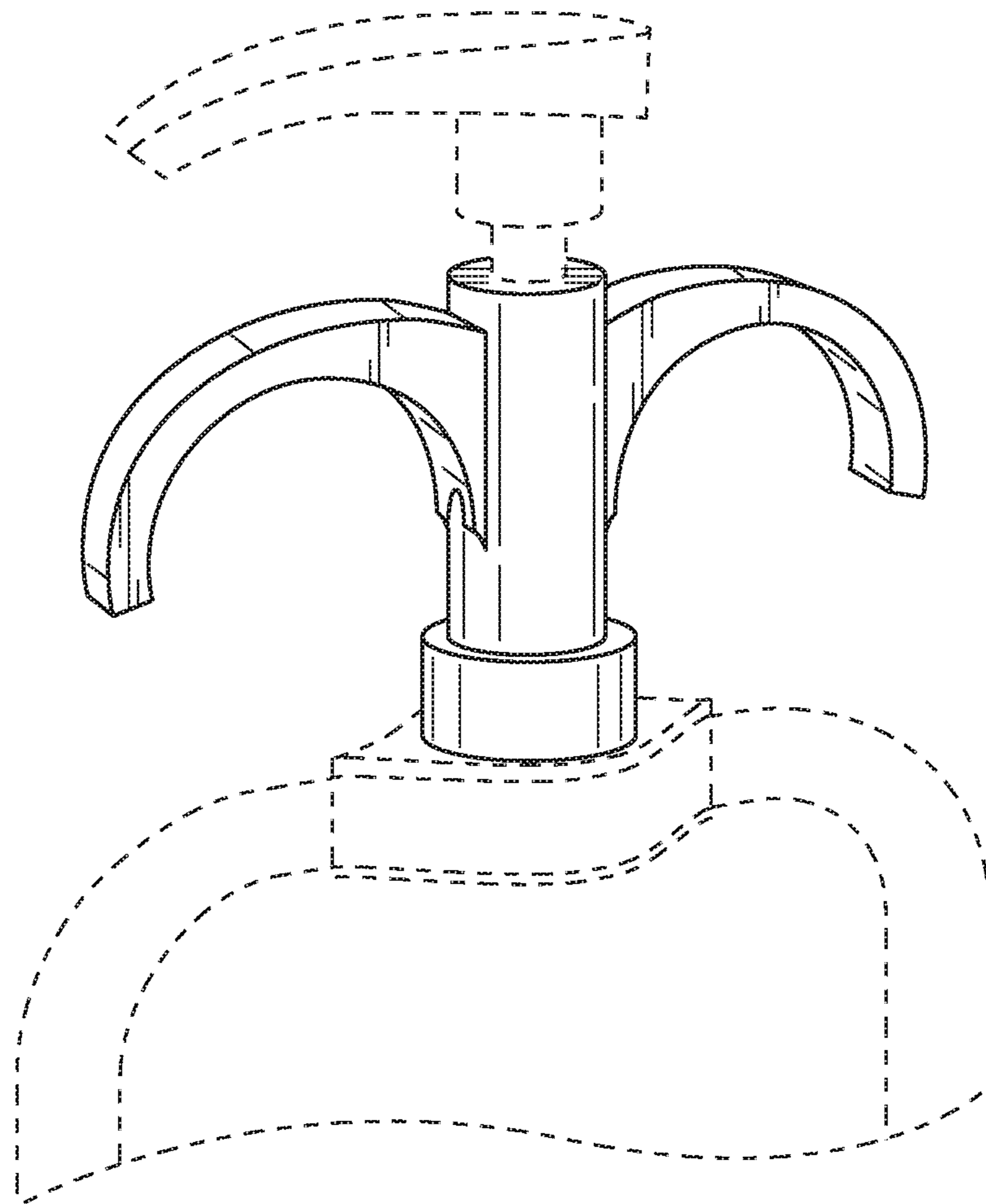


FIG. 1

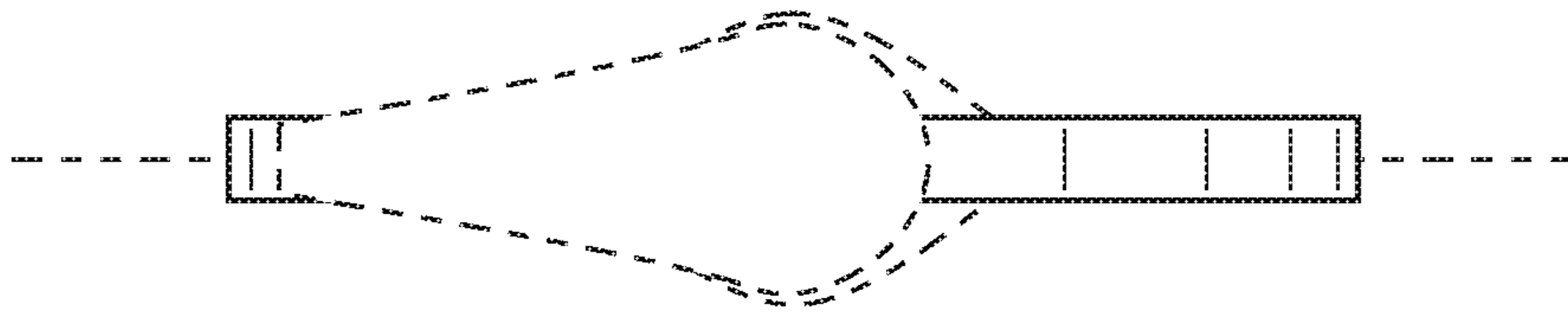


FIG. 2

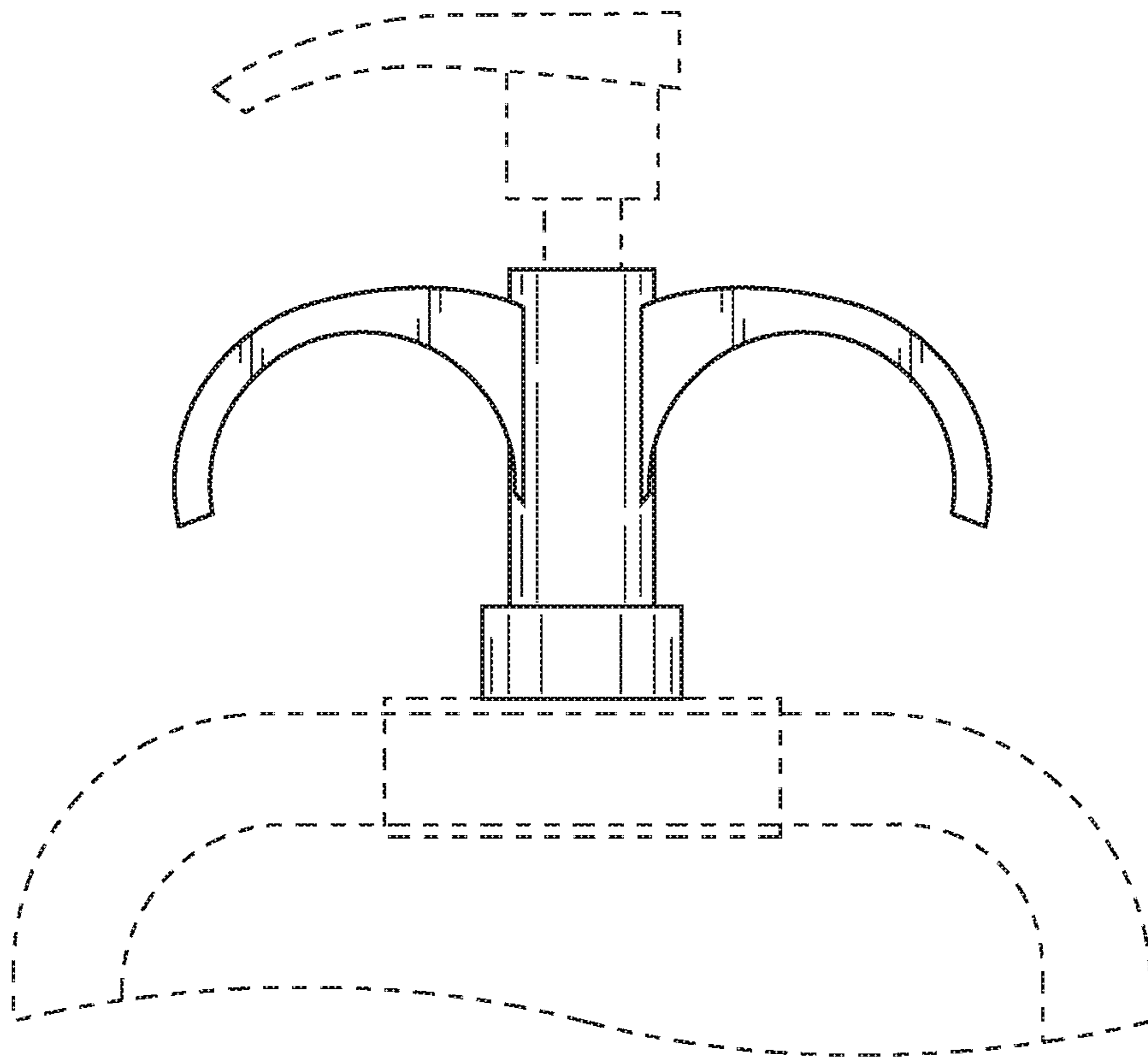


FIG. 3

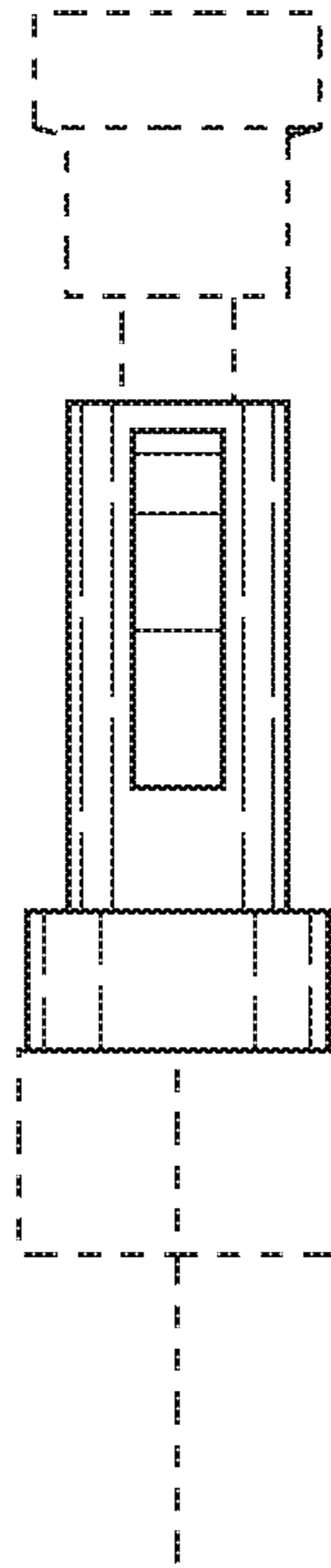


FIG. 4