



US00D876230S

(12) **United States Design Patent**
Hagg et al.

(10) **Patent No.:** **US D876,230 S**
(45) **Date of Patent:** **** Feb. 25, 2020**

(54) **BOTTLE CAP**

(71) Applicants: **Gabriel Hagg**, Calgary (CA); **Tory Weber**, Calgary (CA)

(72) Inventors: **Gabriel Hagg**, Calgary (CA); **Tory Weber**, Calgary (CA)

(**) Term: **15 Years**

(21) Appl. No.: **29/623,632**

(22) Filed: **Oct. 26, 2017**

(51) **LOC (12) Cl.** **09-07**

(52) **U.S. Cl.**
USPC **D9/443**; D9/454

(58) **Field of Classification Search**
USPC D7/387, 392.1, 396.2; D9/434-436, 439,
D9/443-445, 447, 454, 499
CPC B65D 1/0246; B65D 39/00; B65D 41/00;
B65D 50/048; B65D 41/28; B65D 35/44
See application file for complete search history.

(56) **References Cited**

U.S. PATENT DOCUMENTS

D216,953 S *	3/1970	Schuff	D9/439
D247,549 S *	3/1978	Klees	D9/439
D447,410 S *	9/2001	Malmborg	D9/434
D526,840 S *	8/2006	Carlson	D7/392.1
D553,981 S *	10/2007	Harre	D9/435
D557,137 S *	12/2007	Harre	D9/434
D561,582 S *	2/2008	Nottingham	D9/434
D618,500 S *	6/2010	Hardaway	D7/396.2
D799,893 S *	10/2017	Westrick	D7/396.2
D799,963 S *	10/2017	Akiyama	D9/454
D820,679 S *	6/2018	Ali	D9/454

OTHER PUBLICATIONS

Flickr. US Sports drink!. Feb. 27, 2014. <URL:https://www.flickr.com/photos/like_the_grand_canyon/12849232435/in/photostream/>. (Year: 2014).*

* cited by examiner

Primary Examiner — Darcey E Gottschalk

(74) *Attorney, Agent, or Firm* — Ryan W. Dupuis; Ade & Company Inc.; Kyle R. Satterthwaite

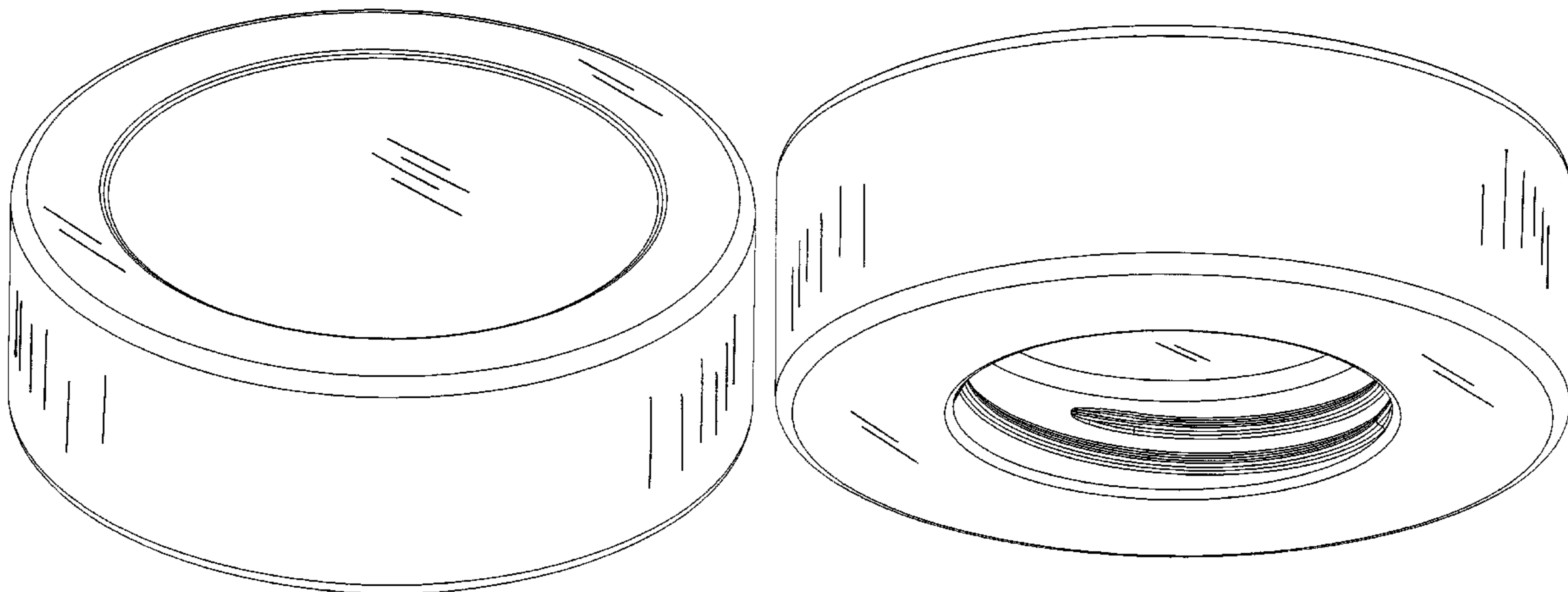
(57) **CLAIM**

The ornamental design for a bottle cap, as shown and described.

DESCRIPTION

FIG. 1 is a side elevational view of the bottle cap shown attached to a bottle;
FIG. 2 is a side elevational view of the bottle cap shown removed from the bottle in FIG. 1 for clarity of disclosure;
FIG. 3 is a top perspective view of the bottle cap shown removed from the bottle in FIG. 1 for clarity of disclosure;
FIG. 4 is a top plan view of the bottle cap;
FIG. 5 is a bottom plan view of the bottle cap;
FIG. 6 is a sectional view along the line 6-6 of FIG. 5;
FIG. 7 is a bottom perspective view of the bottle cap; and,
FIG. 8 is another bottom perspective view of the bottle cap.
In the drawings, the broken lines show portions of a bottle cap and a bottle that form no part of the claimed design.

1 Claim, 8 Drawing Sheets



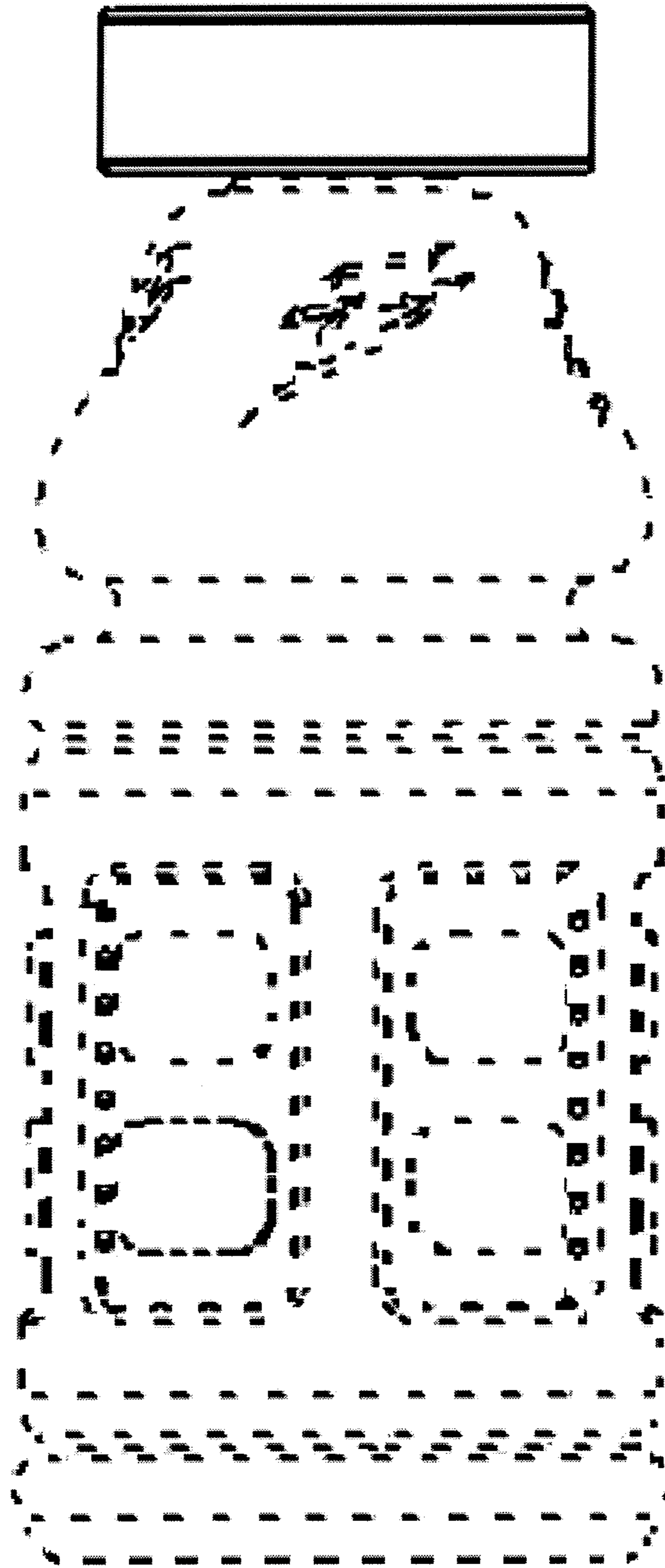


FIG 1

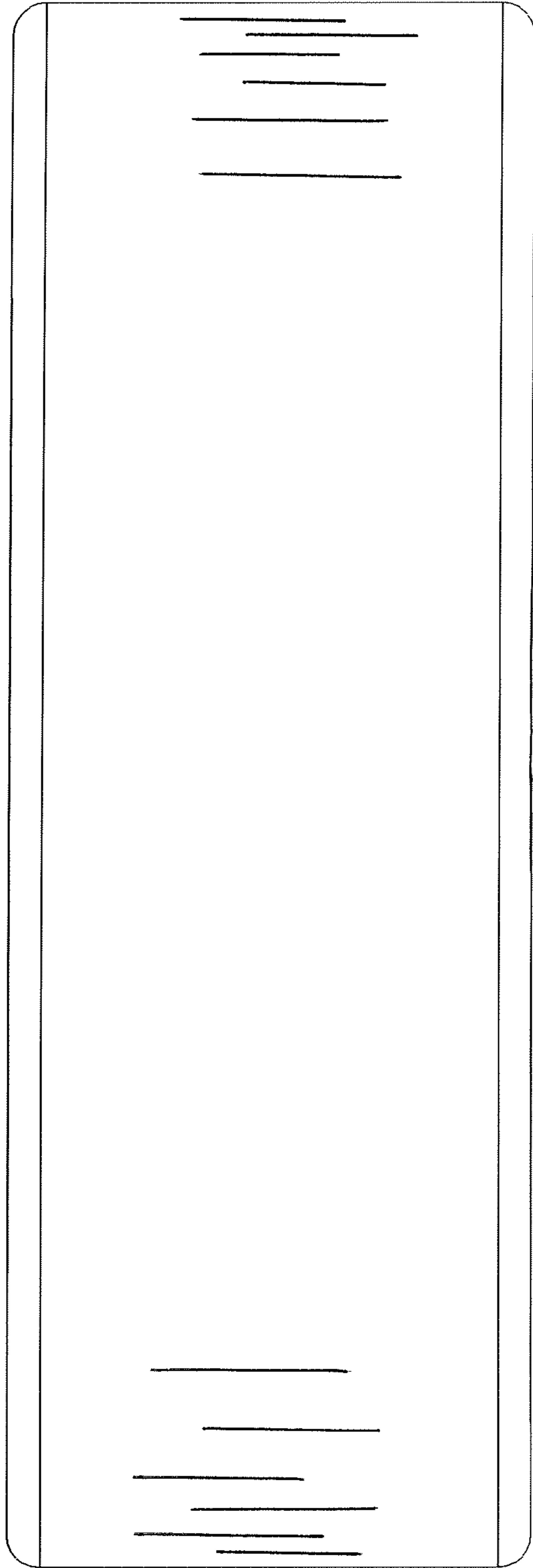


FIG 2

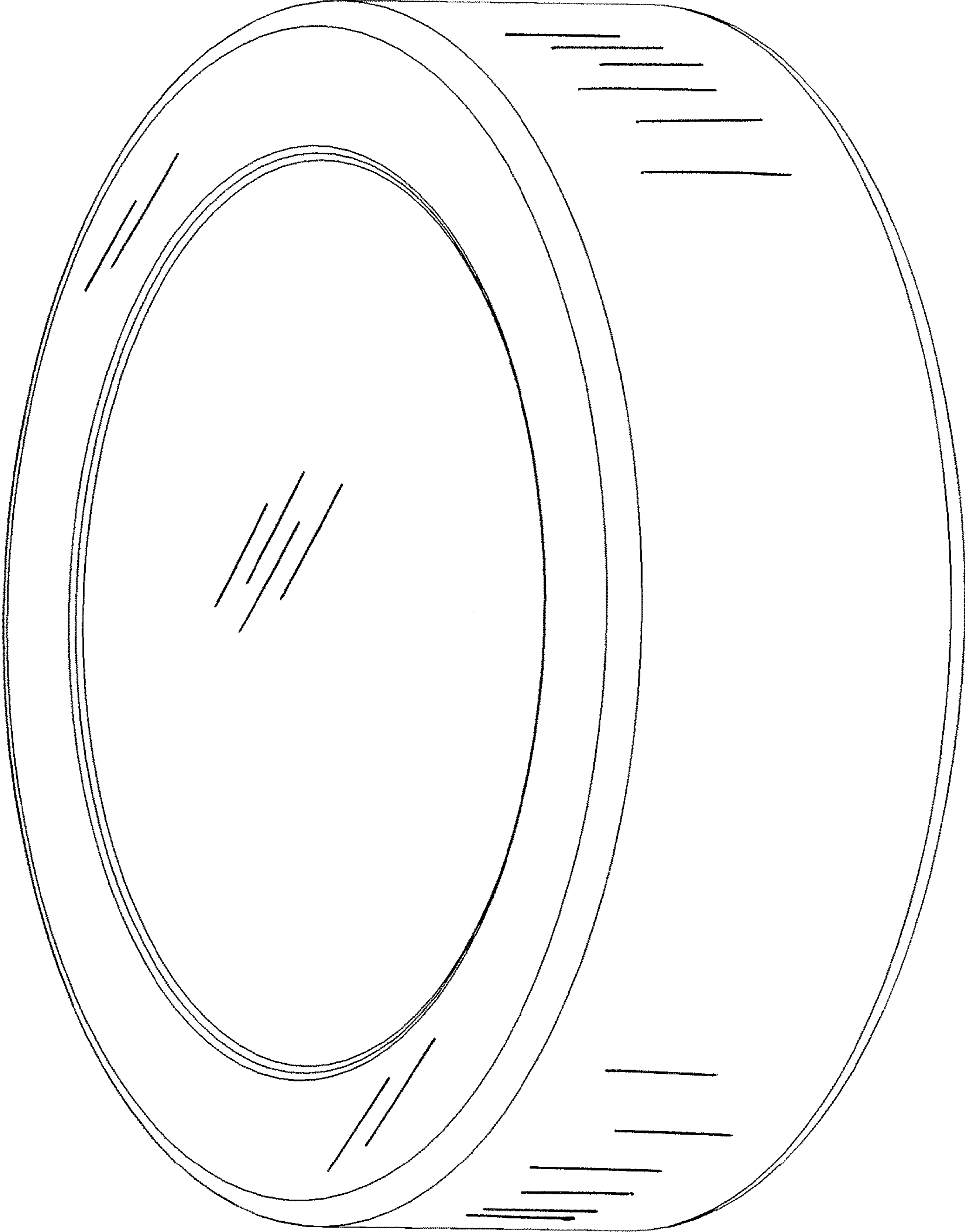


FIG 3



FIG 4

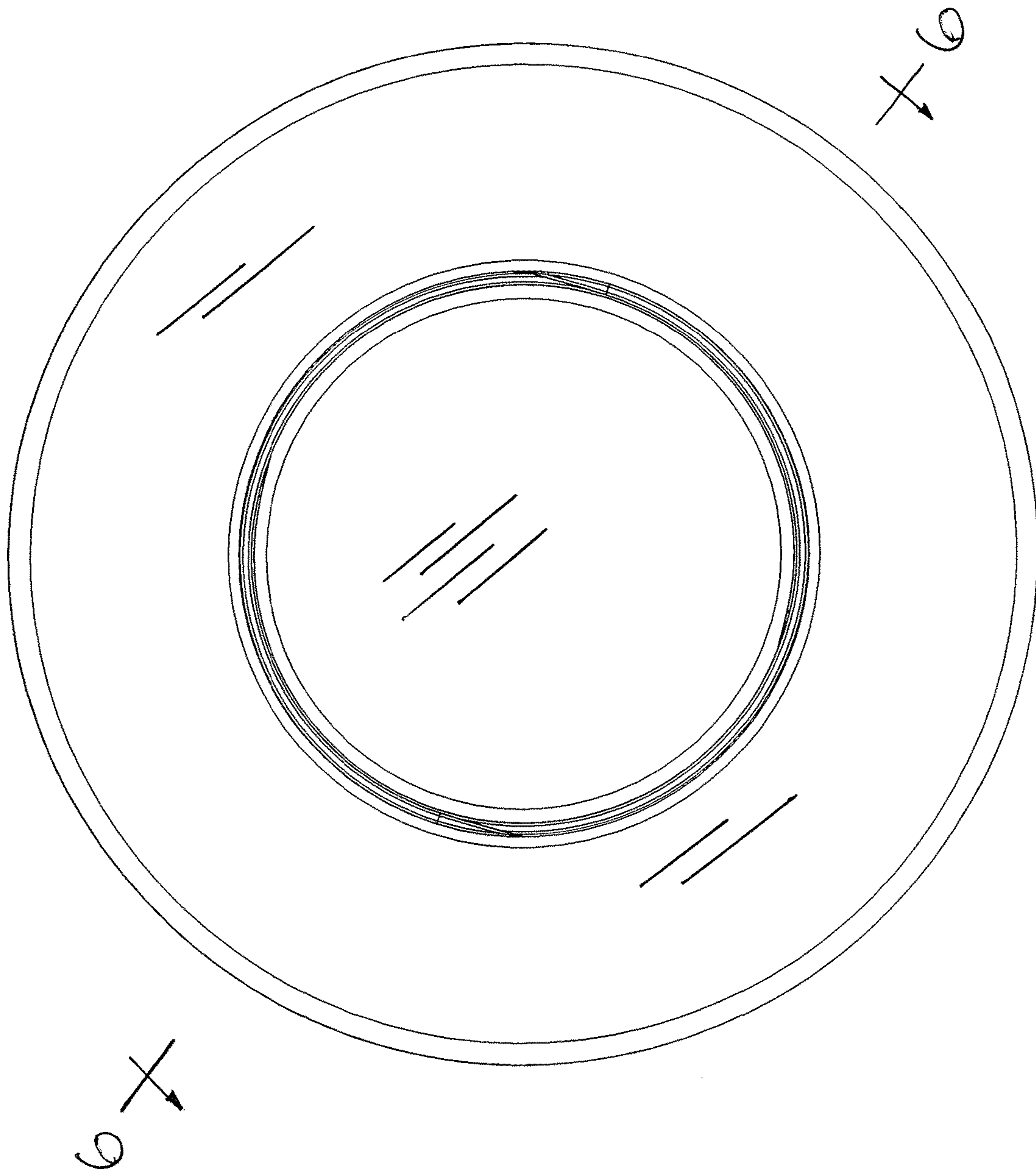


FIG 5

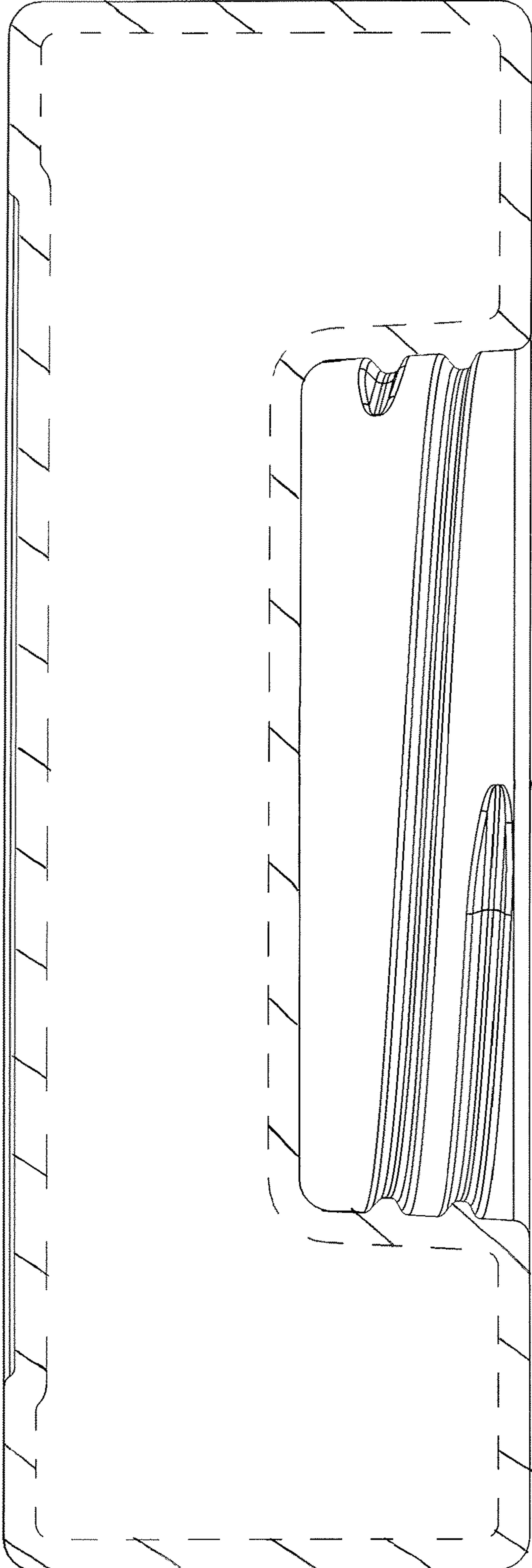


FIG 6

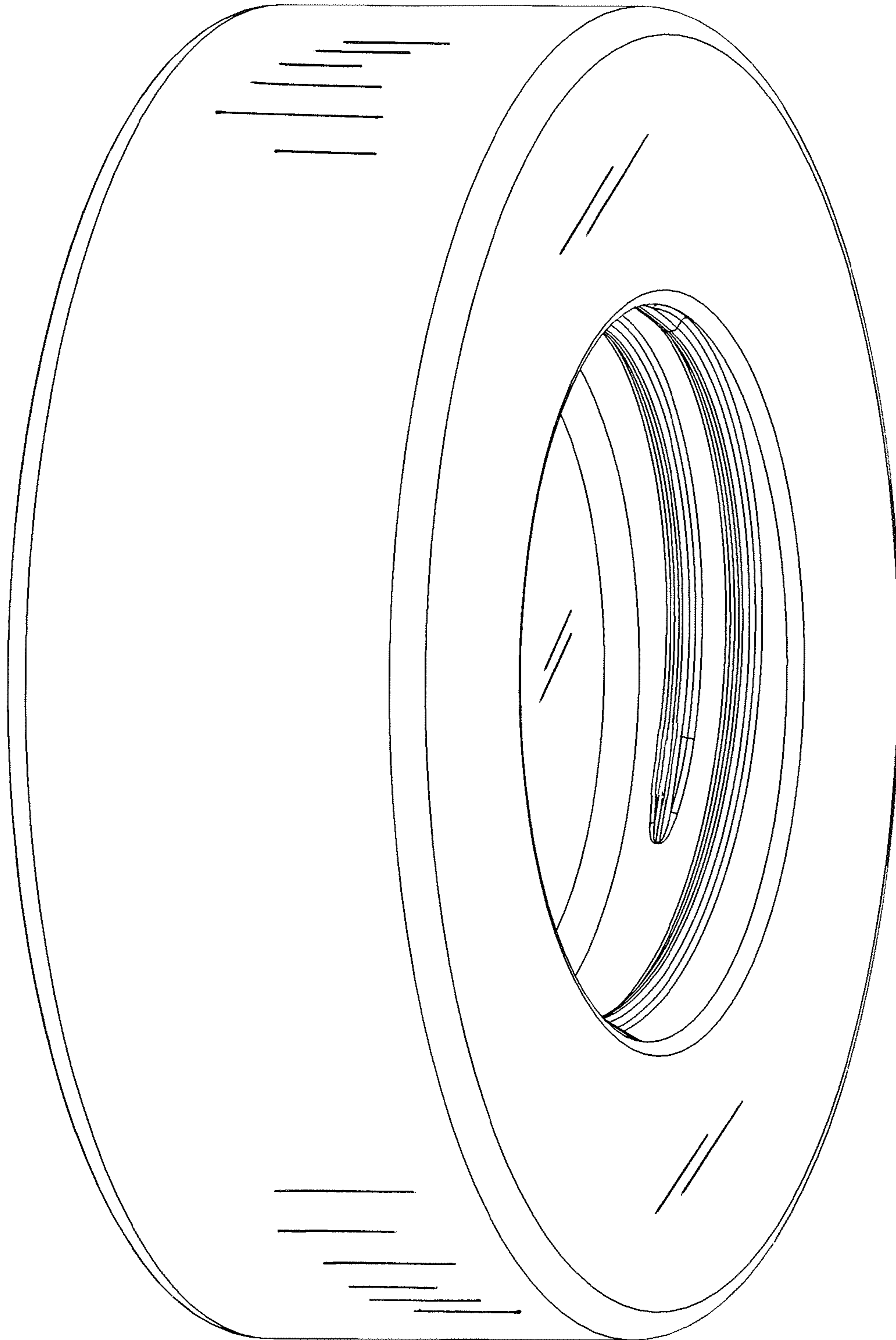


FIG 7

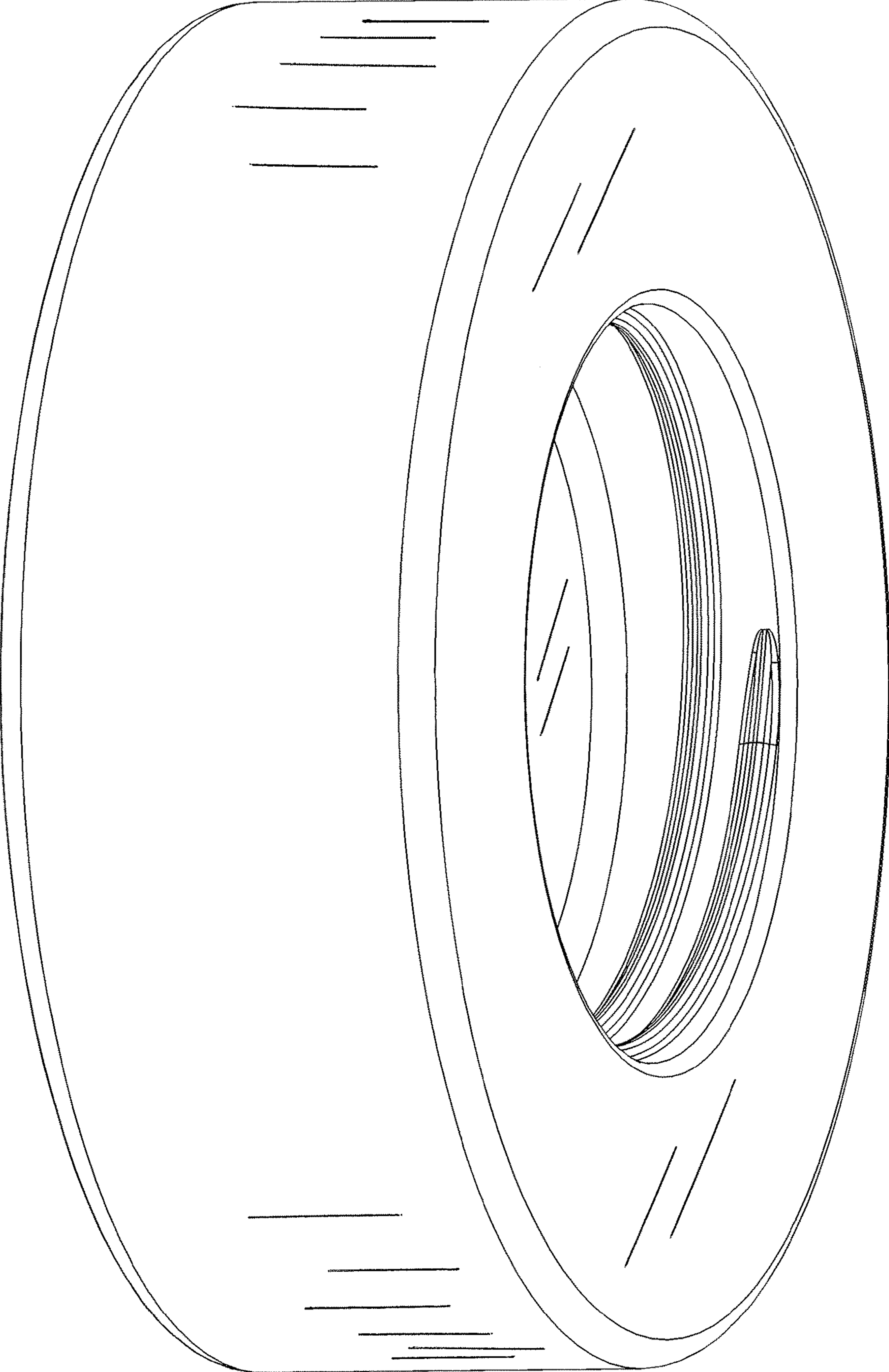


FIG 8