



US00D876229S

(12) **United States Design Patent** (10) **Patent No.:** **US D876,229 S**
Sacchetti (45) **Date of Patent:** **** *Feb. 25, 2020**

(54) **DRIP CHAMBER CAP**
(71) Applicant: **ALCOR Scientific, Inc.**, Smithfield, RI (US)
(72) Inventor: **Peter Sacchetti**, Attleboro, MA (US)
(73) Assignee: **ALCOR Scientific, Inc.**, Smithfield, RI (US)
(*) Notice: This patent is subject to a terminal disclaimer.
(**) Term: **15 Years**

(21) Appl. No.: **29/625,448**
(22) Filed: **Nov. 9, 2017**
(51) **LOC (12) Cl.** **09-07**
(52) **U.S. Cl.**
USPC **D9/440**; D9/439; D24/112
(58) **Field of Classification Search**
USPC D7/392, 392.1, 396.1, 396.2, 397, 398;
D9/434-436, 439, 443, 447, 449, 454,
D9/499; D24/108, 112, 121, 123, 127,
D24/130, 207, 230
CPC B65D 47/06; B65D 39/00; B65D 39/08;
B65D 39/12; B65D 39/02
See application file for complete search history.

(56) **References Cited**
U.S. PATENT DOCUMENTS
D33,101 S 8/1900 Corcoran
D34,955 S * 8/1901 Thatcher D9/439
D160,485 S * 10/1950 Detzel D9/439
D235,343 S * 6/1975 Otto D23/262
D297,046 S * 8/1988 Dignam D24/112
D355,119 S 2/1995 Zimmermann et al.
D359,683 S * 6/1995 Beach D9/434

D453,472 S * 2/2002 Kwong D9/447
D484,801 S 1/2004 Pierce
D501,359 S * 2/2005 Bodum D7/392
D551,075 S * 9/2007 Puller D9/447
D688,127 S 8/2013 Agassi et al.
D690,596 S 10/2013 Logue
D695,114 S 12/2013 McDonald
D708,945 S * 7/2014 Jetmar D9/439
D732,664 S * 6/2015 Woehr D24/130
D739,006 S * 9/2015 Tominaga D24/108
D748,476 S * 2/2016 Lakstins D9/447
D768,489 S * 10/2016 Indruk D9/447
D818,360 S * 5/2018 Oates, II D9/435
D828,752 S * 9/2018 Ploeger D9/435
D844,236 S 3/2019 Tidnam et al.

* cited by examiner

Primary Examiner — Darcey E Gottschalk
(74) *Attorney, Agent, or Firm* — Adler Pollock Shehhan PC

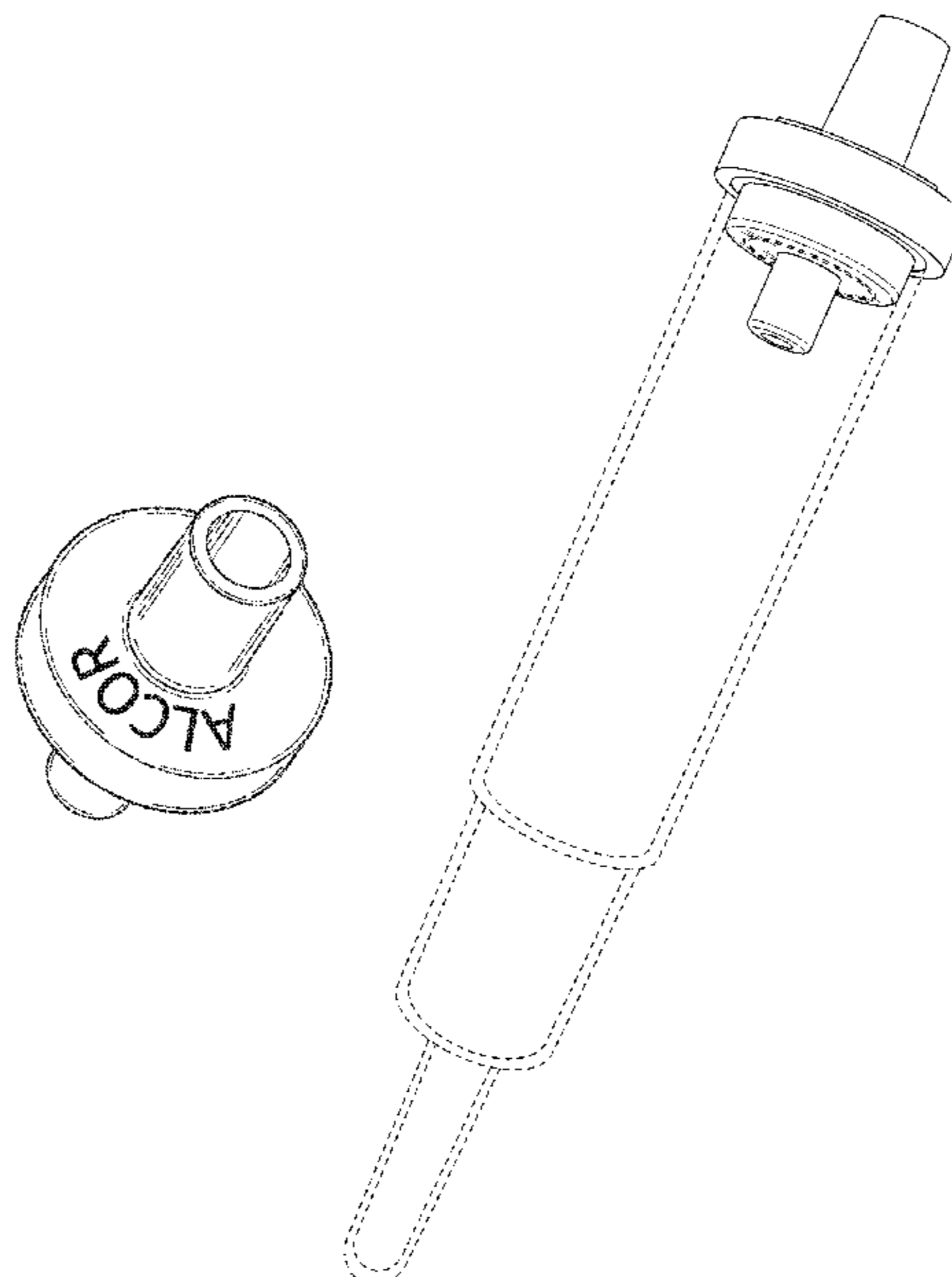
(57) **CLAIM**

The ornamental design for a drip chamber cap, as shown and described.

DESCRIPTION

FIG. 1 is a top perspective view of a drip chamber cap in accordance with the subject disclosure.
FIG. 2 is a front view thereof.
FIG. 3 is a back view thereof.
FIG. 4 is a right side view thereof.
FIG. 5 is a left side view thereof.
FIG. 6 is a top view thereof.
FIG. 7 is a bottom view thereof; and,
FIG. 8 is a side perspective view of the drip chamber cap attached to a drip chamber.
The elements depicted in broken lines in the various figures are included for environmental purposes only, and form no part of the claimed design.

1 Claim, 8 Drawing Sheets



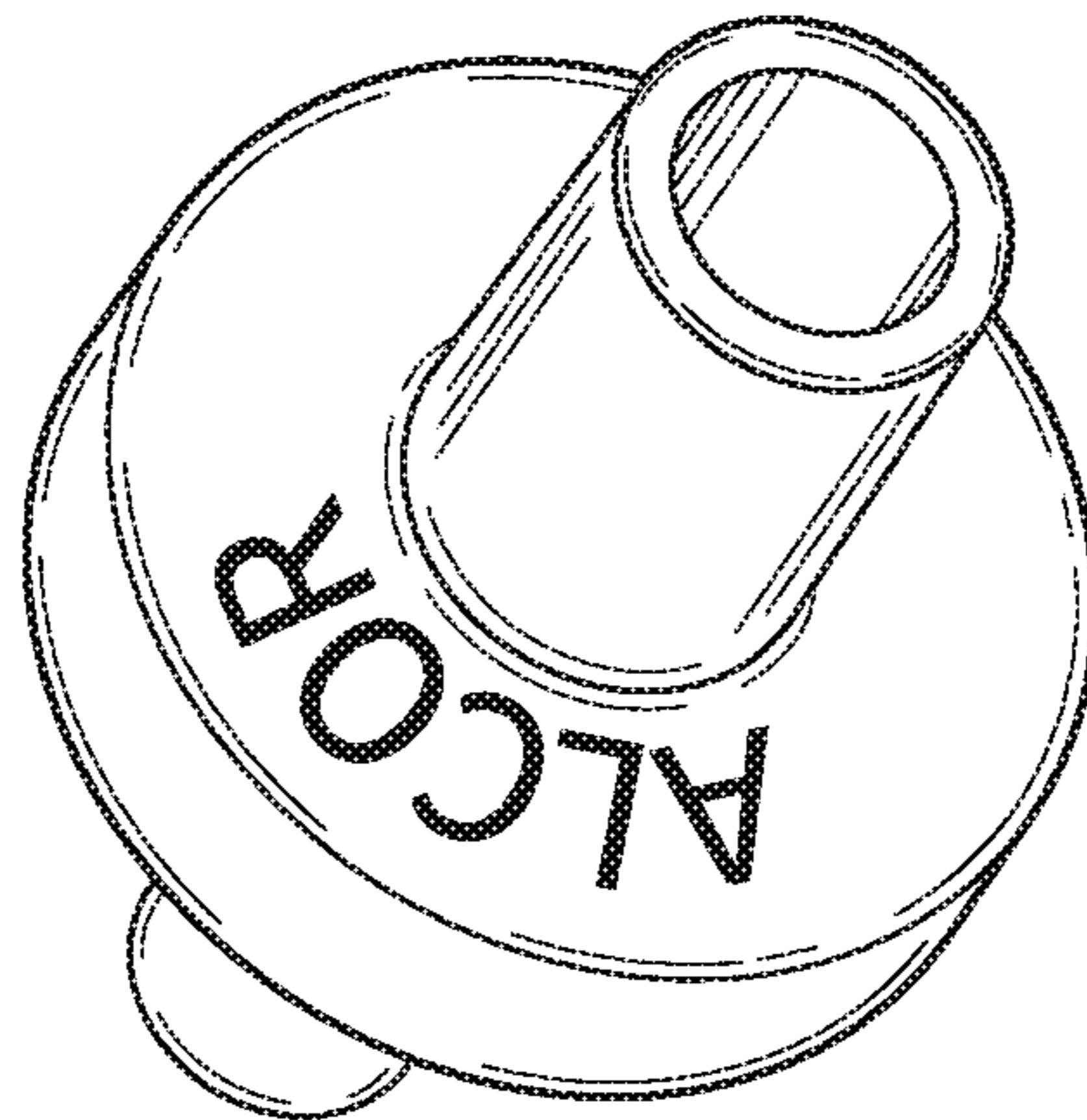


FIG. 1

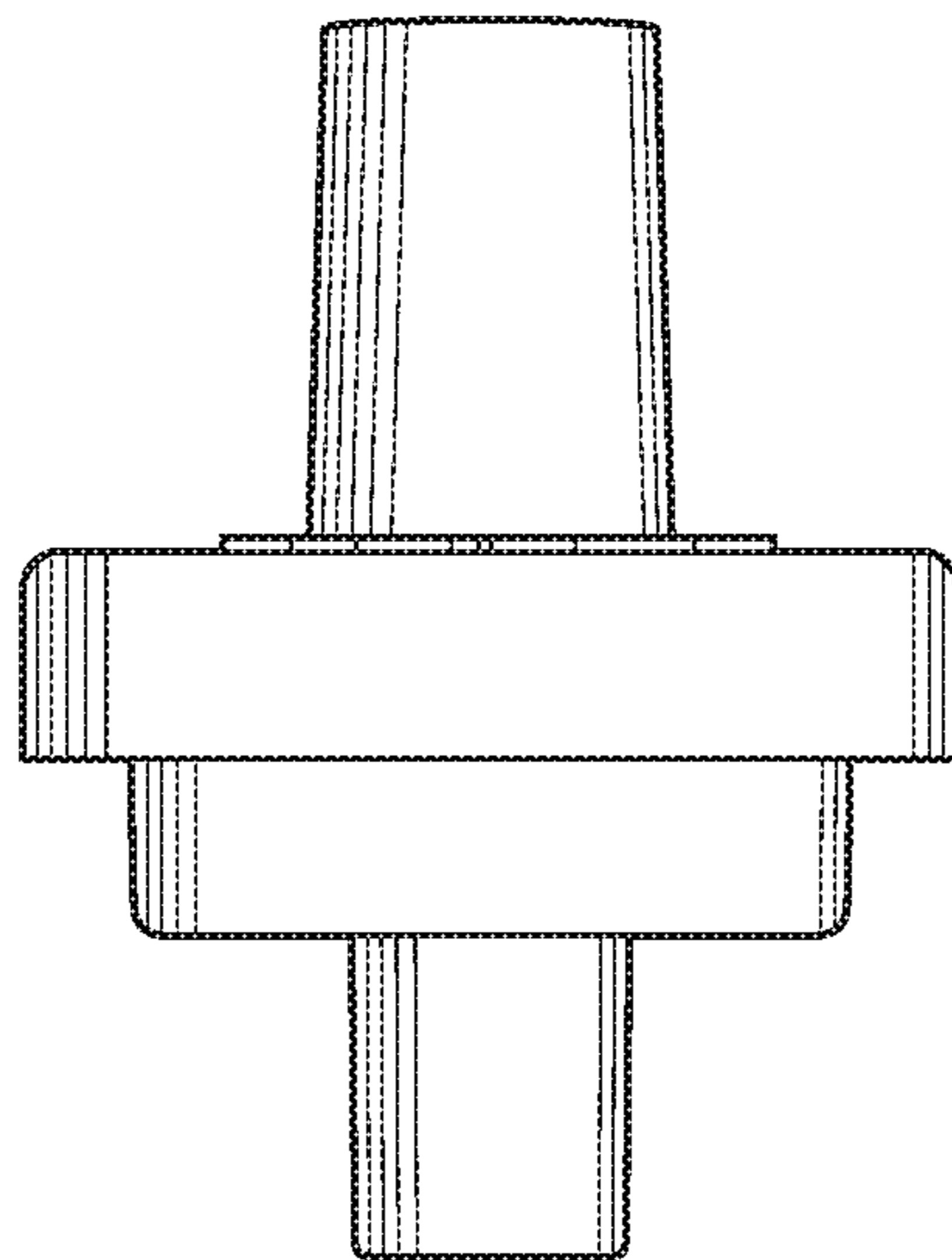


FIG. 2

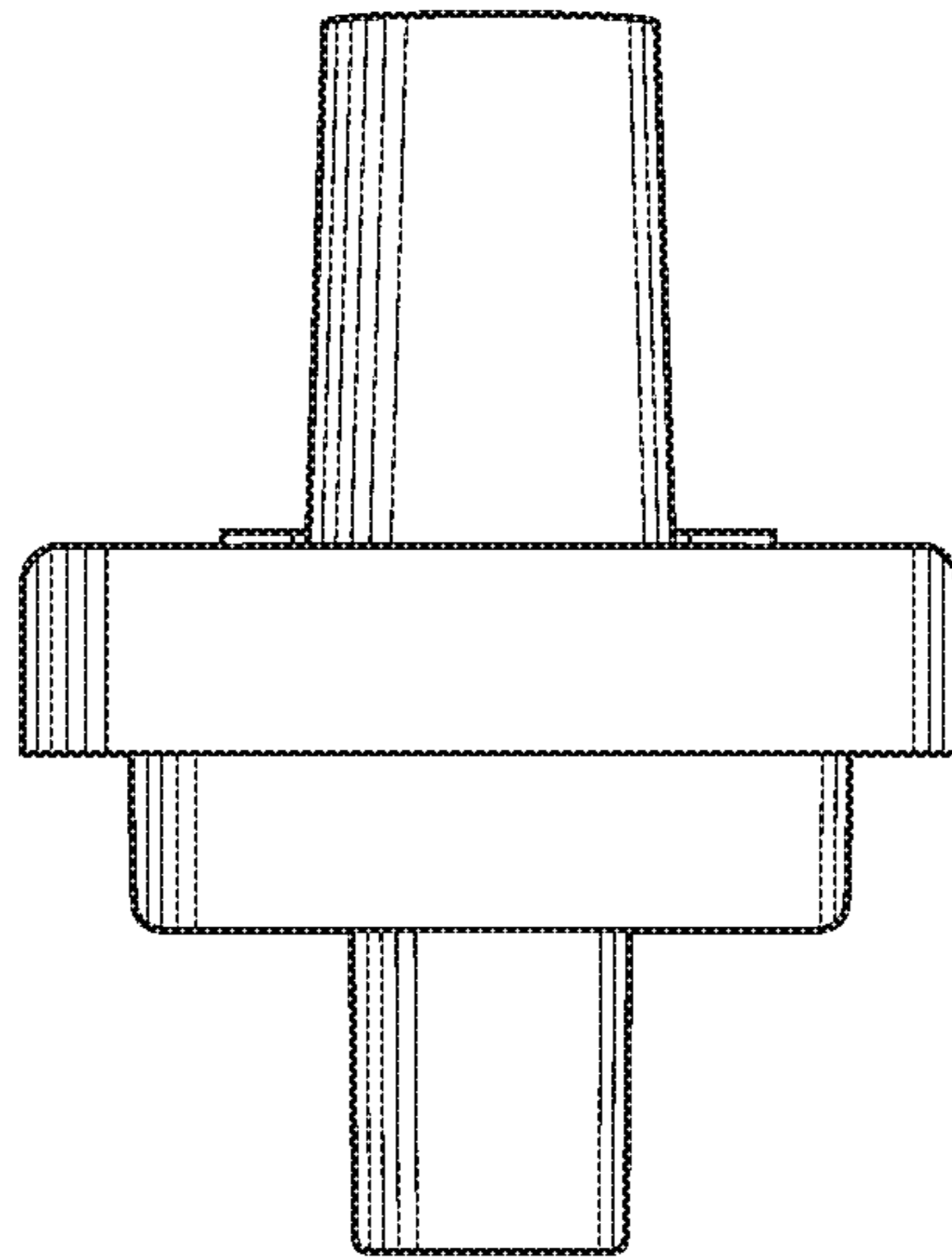


FIG. 3

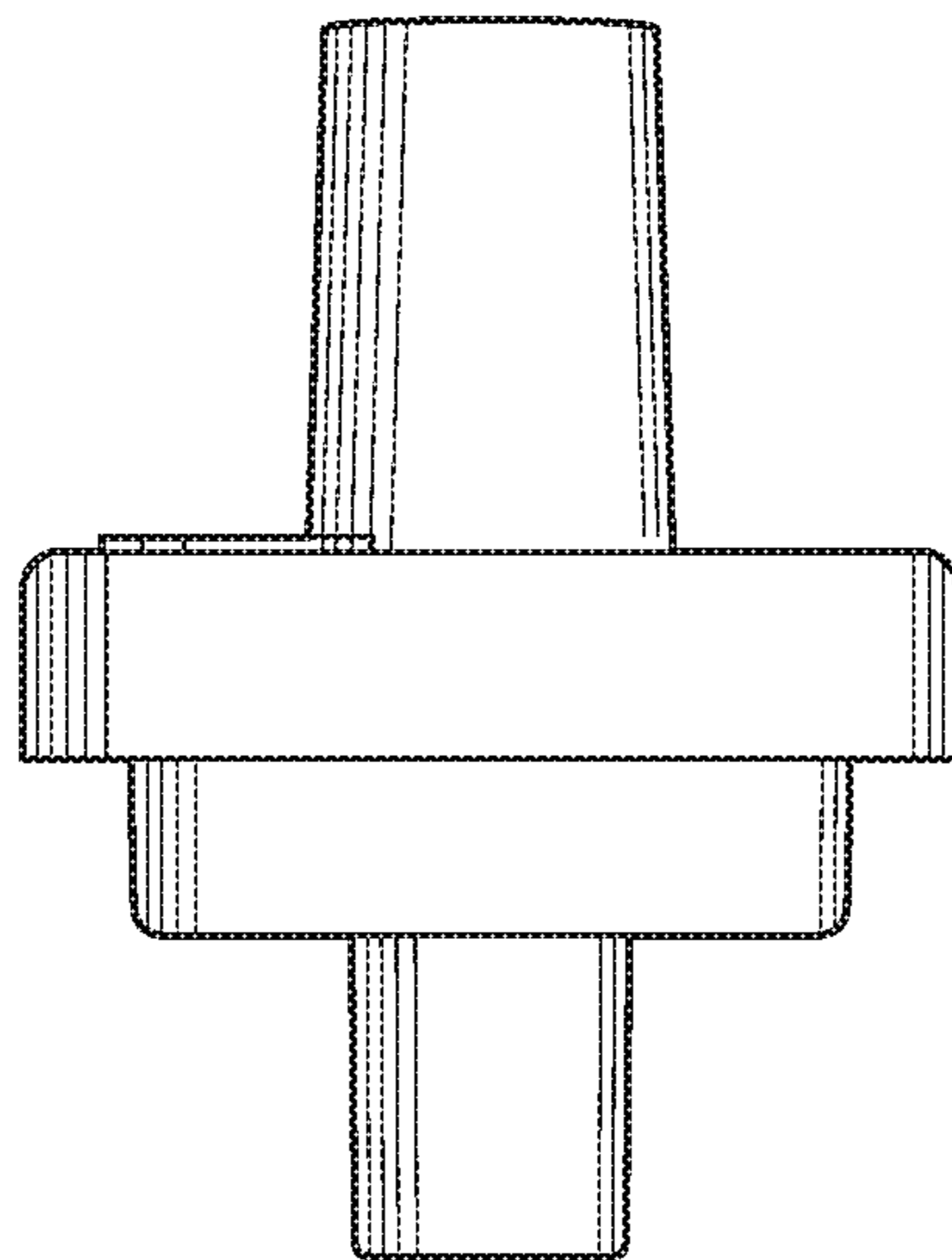


FIG. 4

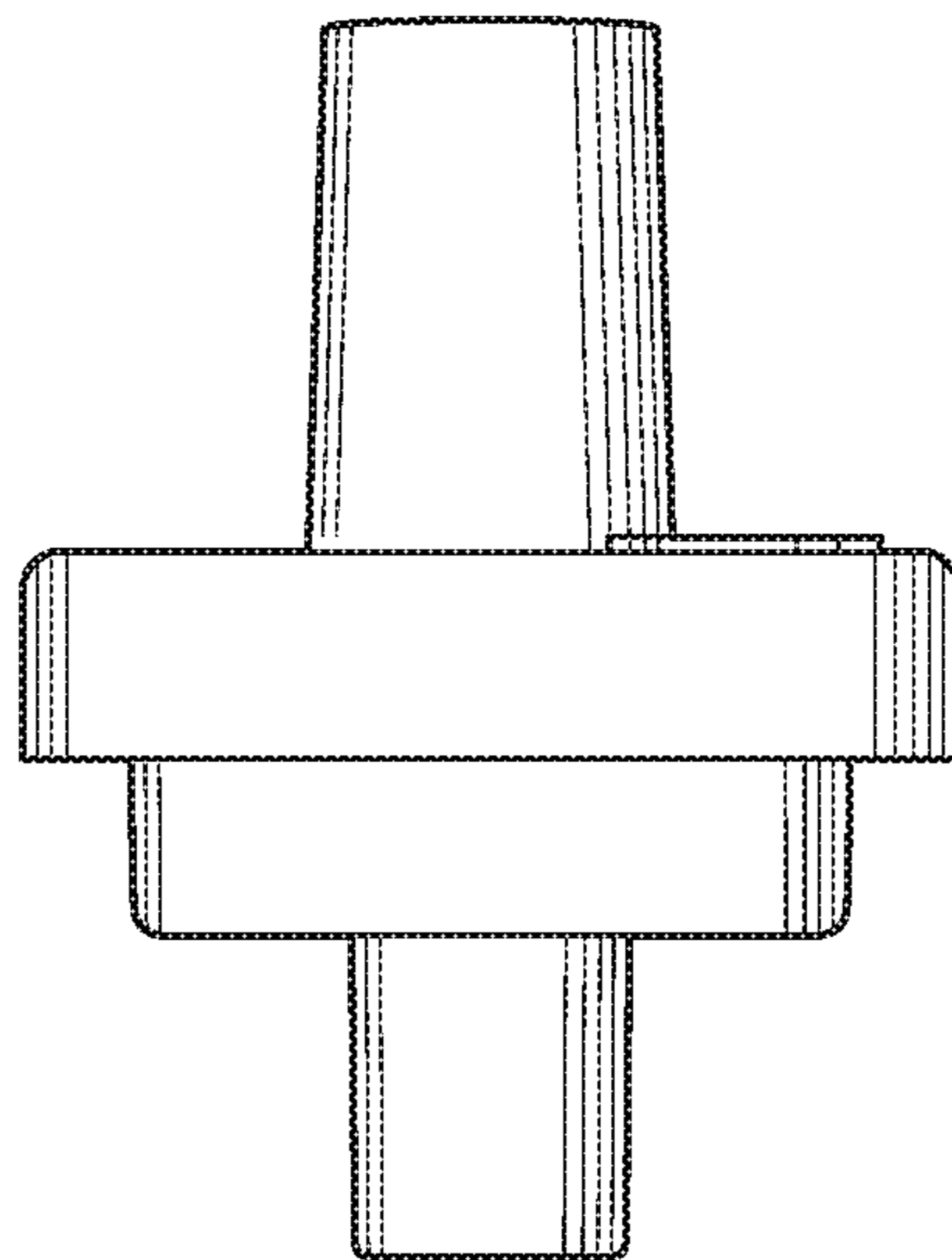


FIG. 5

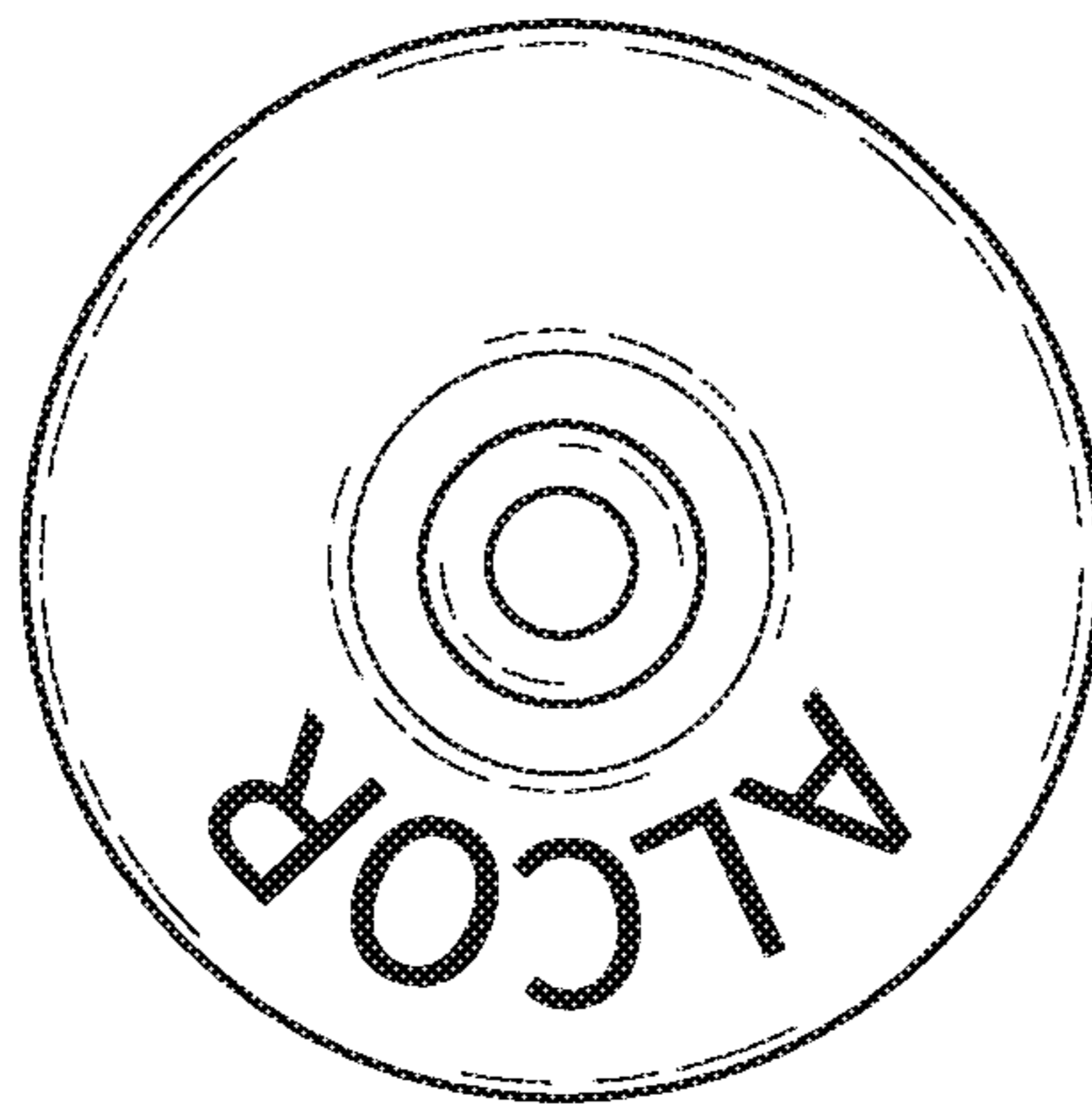


FIG. 6

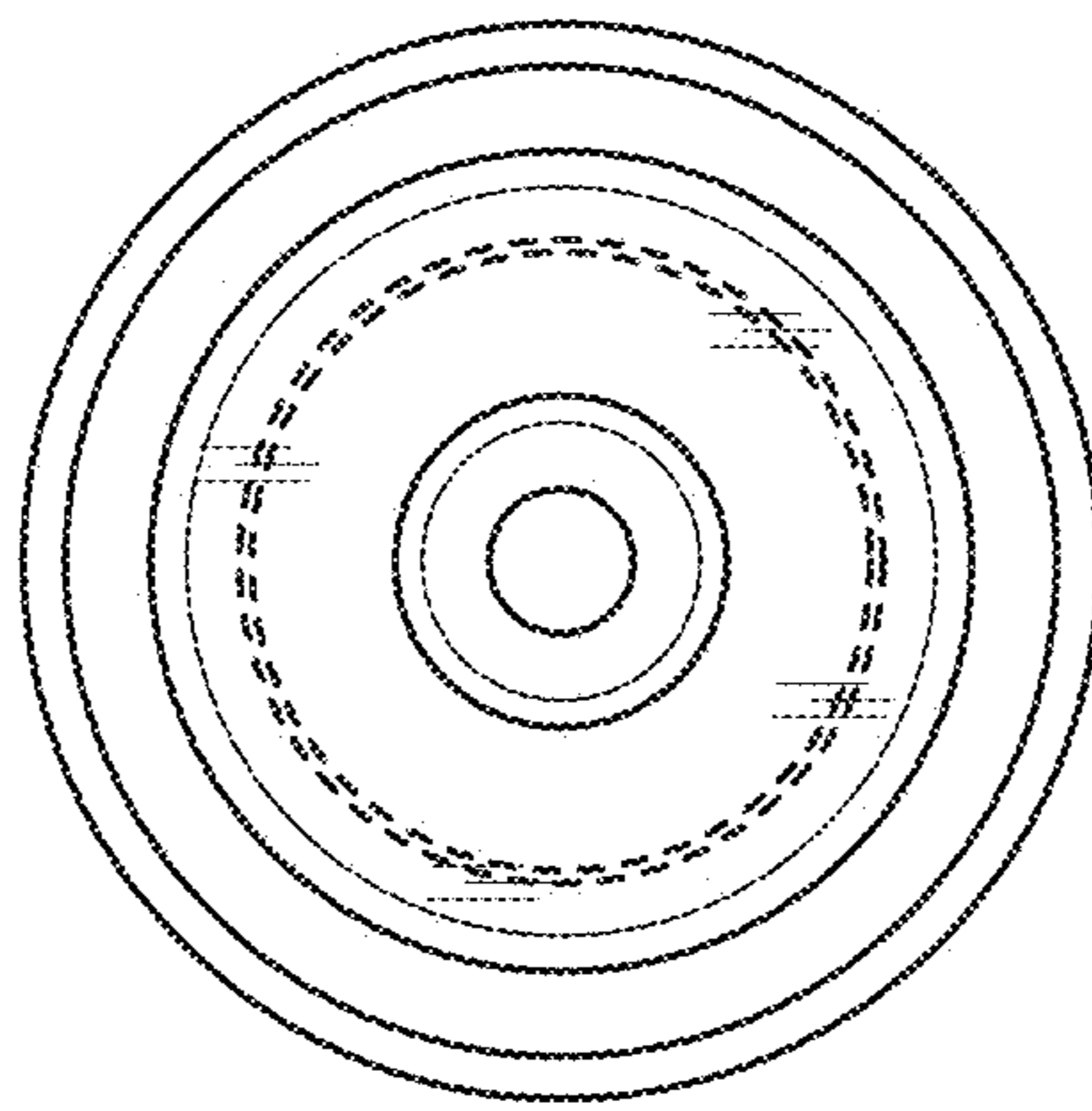


FIG. 7

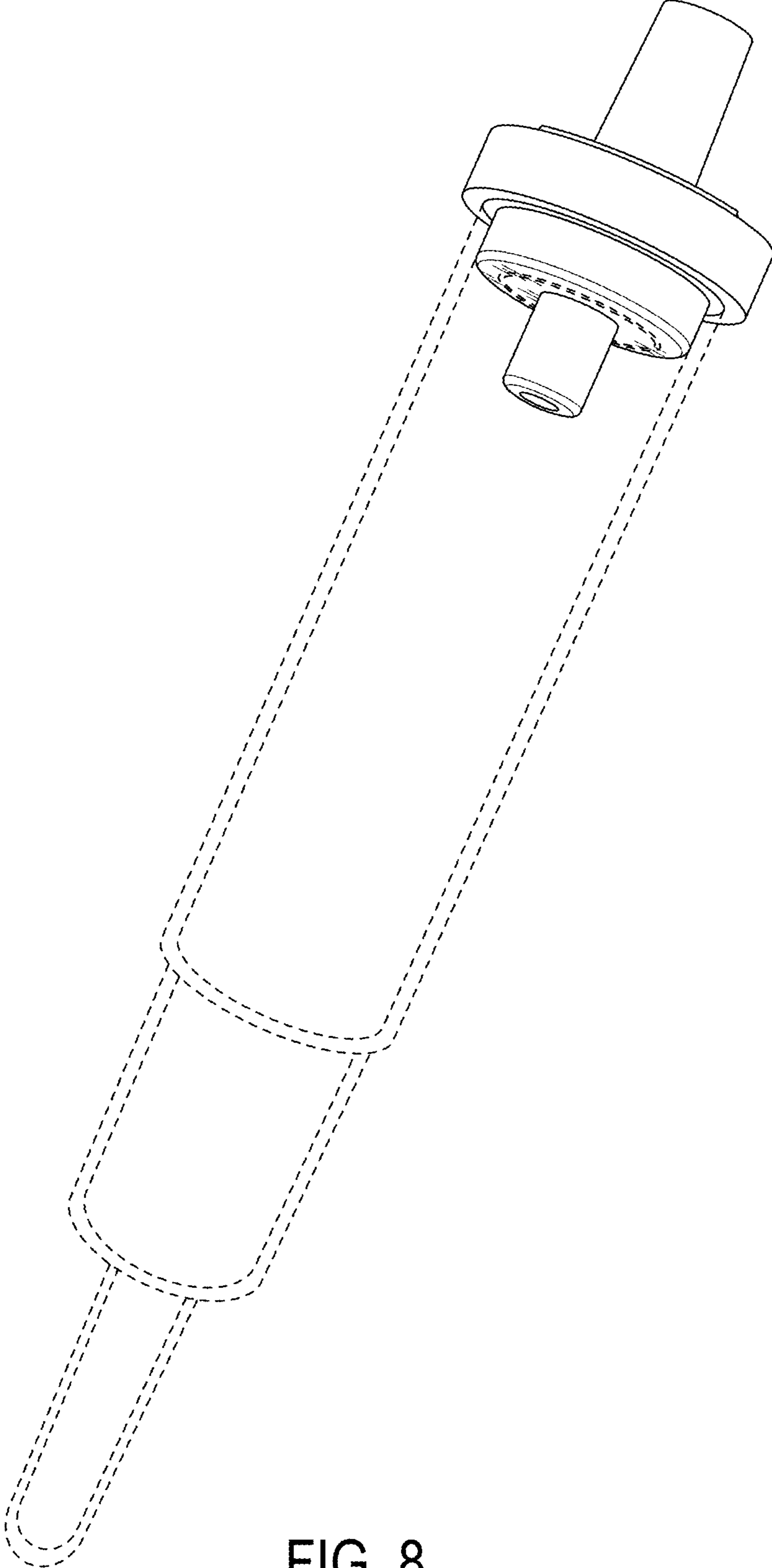


FIG. 8