



US00D876226S

(12) **United States Design Patent** (10) **Patent No.:** **US D876,226 S**
Marshall et al. (45) **Date of Patent:** **** Feb. 25, 2020**

(54) **CONTAINER CAP**

(71) Applicant: **AbbVie Inc.**, North Chicago, IL (US)

(72) Inventors: **Todd Marshall**, Lindenhurst, IL (US);
Marc Plew, Gurnee, IL (US); **Ted
Klikuszowian**, Arlington Heights, IL
(US); **Joy Elizabeth Borgardt**,
Evanston, IL (US); **James Hughes**,
Libertyville, IL (US); **Kelsey M.
Coffey**, Evansville, IN (US); **Scott L.
Fisher**, Evansville, IN (US); **Jason A.
Rowe**, Santa Claus, IN (US)

(73) Assignee: **ABBVIE INC.**, North Chicago, IL (US)

(**) Term: **15 Years**

(21) Appl. No.: **29/601,290**

(22) Filed: **Apr. 20, 2017**

(51) **LOC (12) Cl.** **09-07**

(52) **U.S. Cl.**
USPC **D9/436**; D9/451; D9/624

(58) **Field of Classification Search**
USPC D9/428, 429, 432, 434, 435, 436, 439,
D9/440, 443, 444, 445, 447, 449-455,
D9/499, 500, 503, 504, 705, 624;
D7/317, 387, 391, 392, 392.1, 393, 396.1,
D7/396.2, 509-511, 538, 900; D3/202,
D3/203.2, 294, 302, 318; D28/91
CPC .. A61J 1/00; A61J 1/1412; B65D 1/00; B65D
1/02; B65D 1/10; B65D 1/46; B65D
2585/56; B65D 2585/545; B65D 41/00;
B65D 41/38; B65D 41/56; B65D 41/62;
B65D 47/00; B65D 47/06; B65D 47/08;
B65D 2543/00046; B65D 2543/00092;
B65D 2543/00296; B65D 5/46; B65D
2251/00; B65D 23/10; B65D 23/104

See application file for complete search history.

(56) **References Cited**

U.S. PATENT DOCUMENTS

616,304 A	12/1898	Falk	
D188,771 S *	9/1960	Chaplin	D9/452
D210,867 S *	4/1968	Kuroda	D9/503
D261,619 S	11/1981	Borkan	
4,458,820 A	7/1984	Abrams	
5,797,506 A	8/1998	Lehmkuhl et al.	
D399,743 S *	10/1998	Coon	D9/443
D435,794 S *	1/2001	Schmidt	D9/451
D446,103 S	8/2001	Olaneta	
D459,174 S	6/2002	De Bergen	
		(Continued)	

FOREIGN PATENT DOCUMENTS

GB 489778 A 8/1938

Primary Examiner — Michael A. Pratt

Assistant Examiner — Wendy L. Arminio

(74) *Attorney, Agent, or Firm* — Armstrong Teasdale LLP

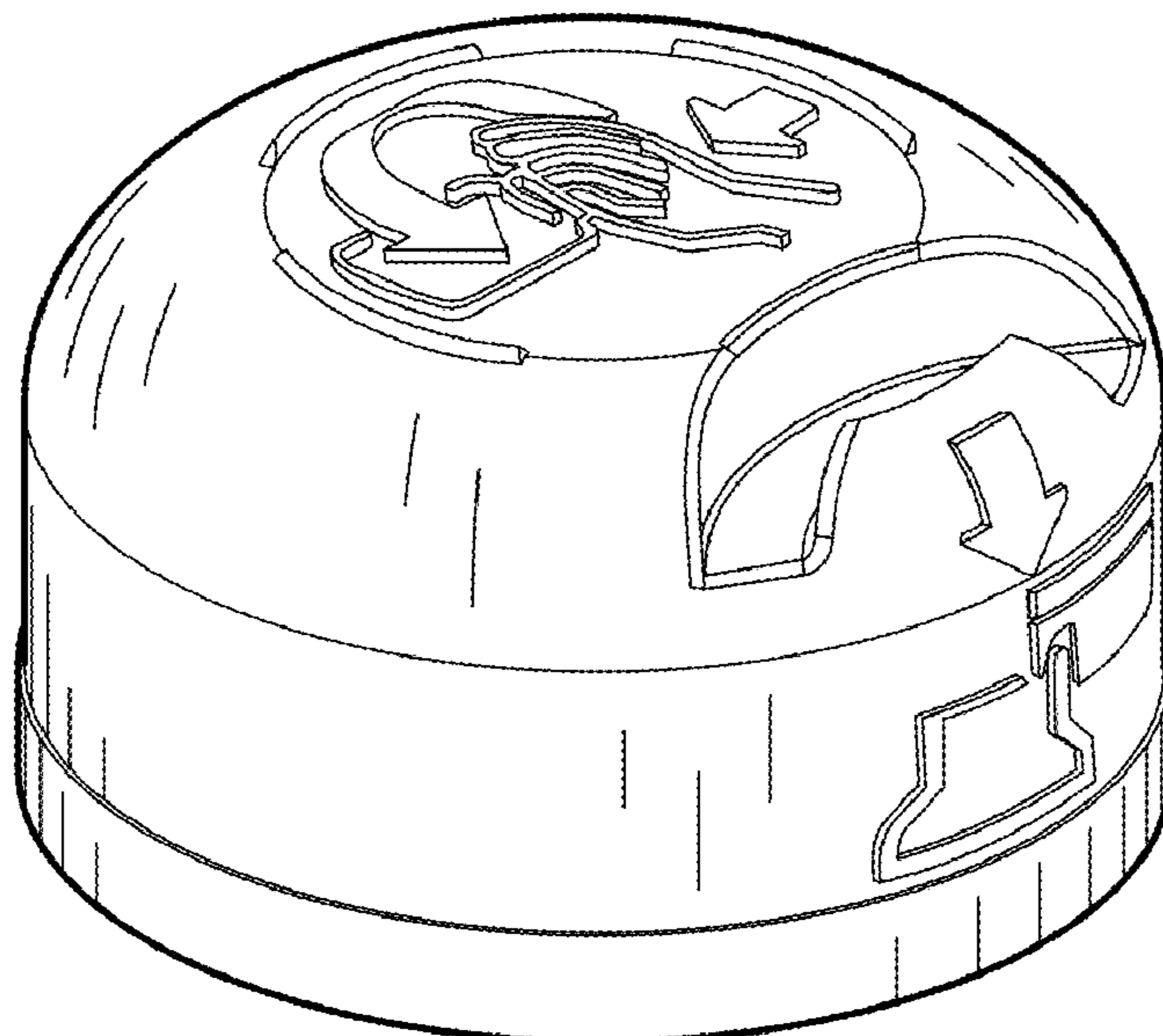
(57) **CLAIM**

The ornamental design for a container cap, as shown and described.

DESCRIPTION

FIG. 1 is a perspective view of a container cap.
FIG. 2 is a top view of the container cap shown in FIG. 1.
FIG. 3 is a front view of the container cap shown in FIG. 1.
FIG. 4 is a right side view of the container cap shown in FIG. 1.
FIG. 5 is a left side view of the container cap shown in FIG. 1; and,
FIG. 6 is a rear view of the container cap shown in FIG. 1.
FIGS. 1-6 are various views of a container cap in accordance with the present design. The container cap is adapted to facilitate breaking a seal covering an opening of a container.

1 Claim, 6 Drawing Sheets



(56)

References Cited

U.S. PATENT DOCUMENTS

D459,963 S	7/2002	Usbeck		D765,512 S *	9/2016	Joulia	D28/7
D481,948 S *	11/2003	Brozell	D9/443	D790,966 S *	7/2017	Roberts	D9/453
D501,774 S	2/2005	Bates et al.		D799,963 S *	10/2017	Akiyama	D9/454
D586,213 S *	2/2009	Wells	D9/453	D838,172 S *	1/2019	Tartock	D9/454
D592,507 S	5/2009	Wachman et al.		D845,766 S *	4/2019	Tartock	D9/454
D605,011 S	12/2009	Jalet		D845,767 S *	4/2019	Holmes	D9/454
D607,326 S *	1/2010	Branson	D9/453	D851,488 S *	6/2019	Tartock	D9/454
D611,346 S *	3/2010	Camomile	D9/504	2003/0071042 A1 *	4/2003	Adams	B65D 5/746 220/258.2
D621,254 S *	8/2010	Camisasca	D8/382	2008/0078686 A1 *	4/2008	Vovan	B65D 21/0237 206/501
D651,897 S	1/2012	Miceli et al.		2015/0008152 A1 *	1/2015	Xu	A61J 1/03 206/538
D663,179 S	7/2012	Mauffette		2015/0157535 A1 *	6/2015	Frishman	A61J 1/1412 604/403
D675,522 S	2/2013	Kawamura		2016/0065705 A1 *	3/2016	Nam	B65D 43/0208 455/575.8
D678,771 S	3/2013	Kawamura		2016/0251128 A1	9/2016	Burbank et al.	
D680,002 S	4/2013	Miceli et al.		2016/0327427 A1 *	11/2016	Briones	A61J 7/02
D686,513 S *	7/2013	Henriksson	D9/428	2018/0305094 A1 *	10/2018	Borgardt	B65D 51/22
D692,762 S *	11/2013	Walter	D9/443				
D707,556 S	6/2014	Kawamura					
D708,521 S *	7/2014	Buschmann	D9/449				

* cited by examiner

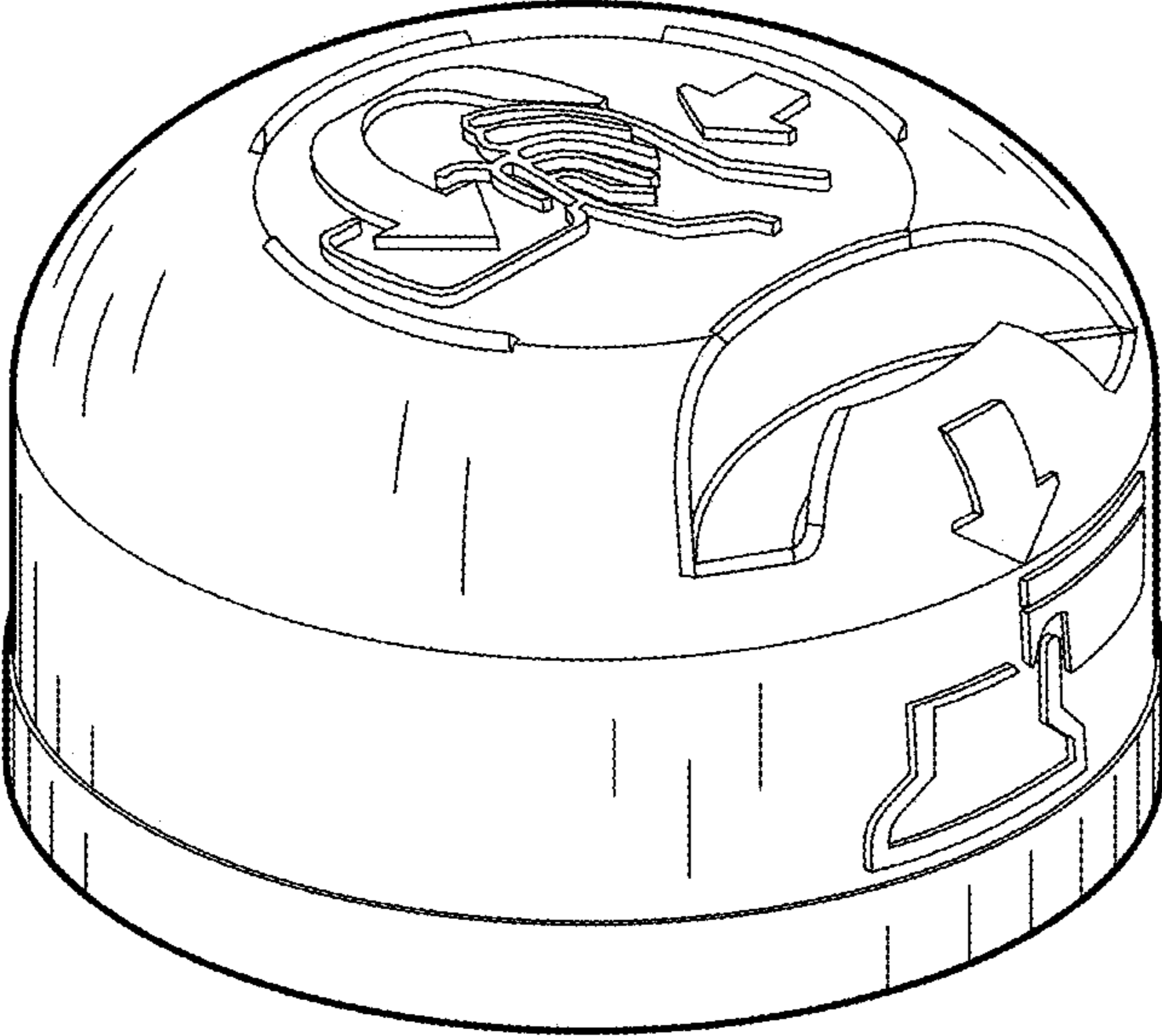


FIG. 1

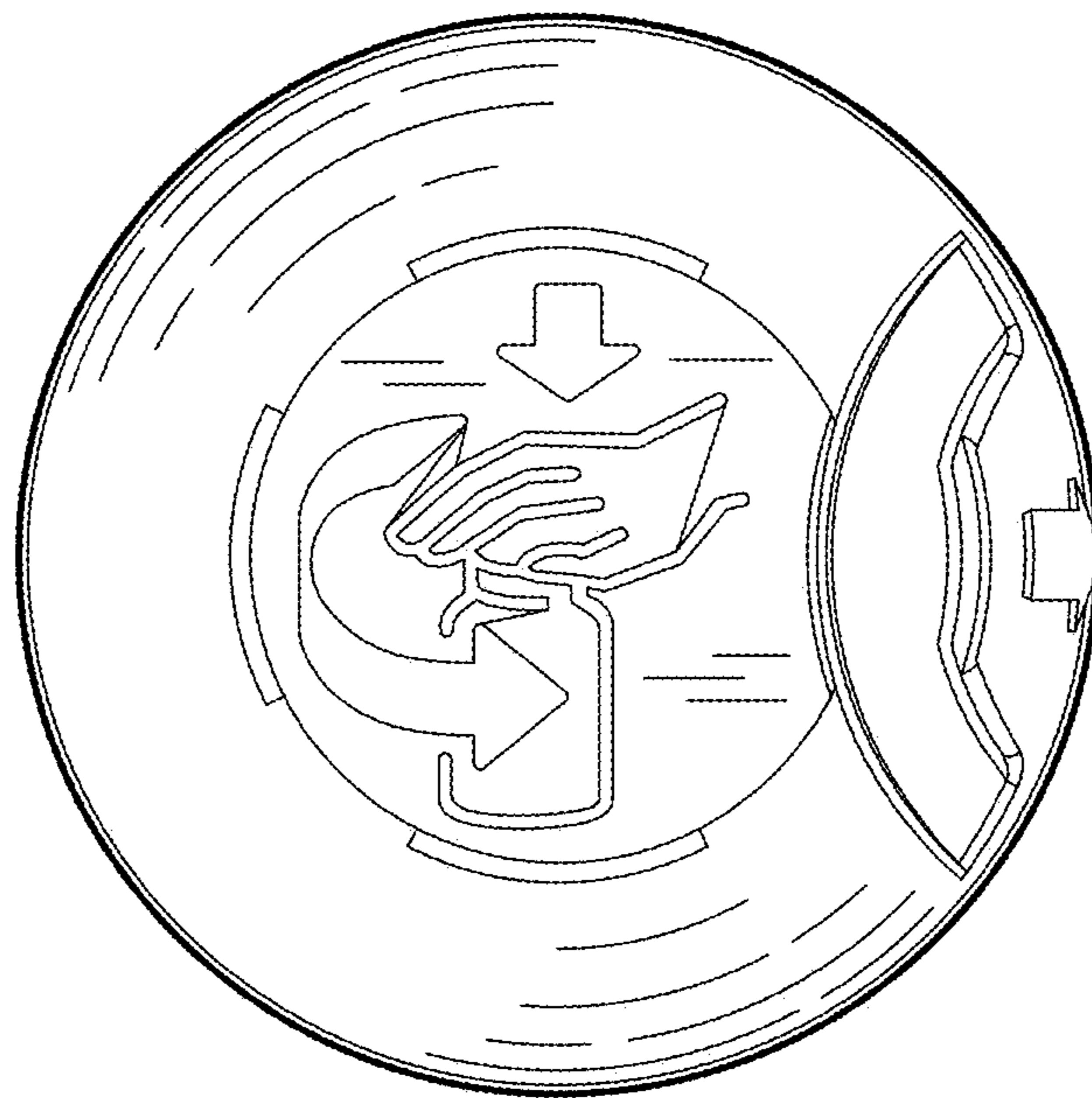


FIG. 2

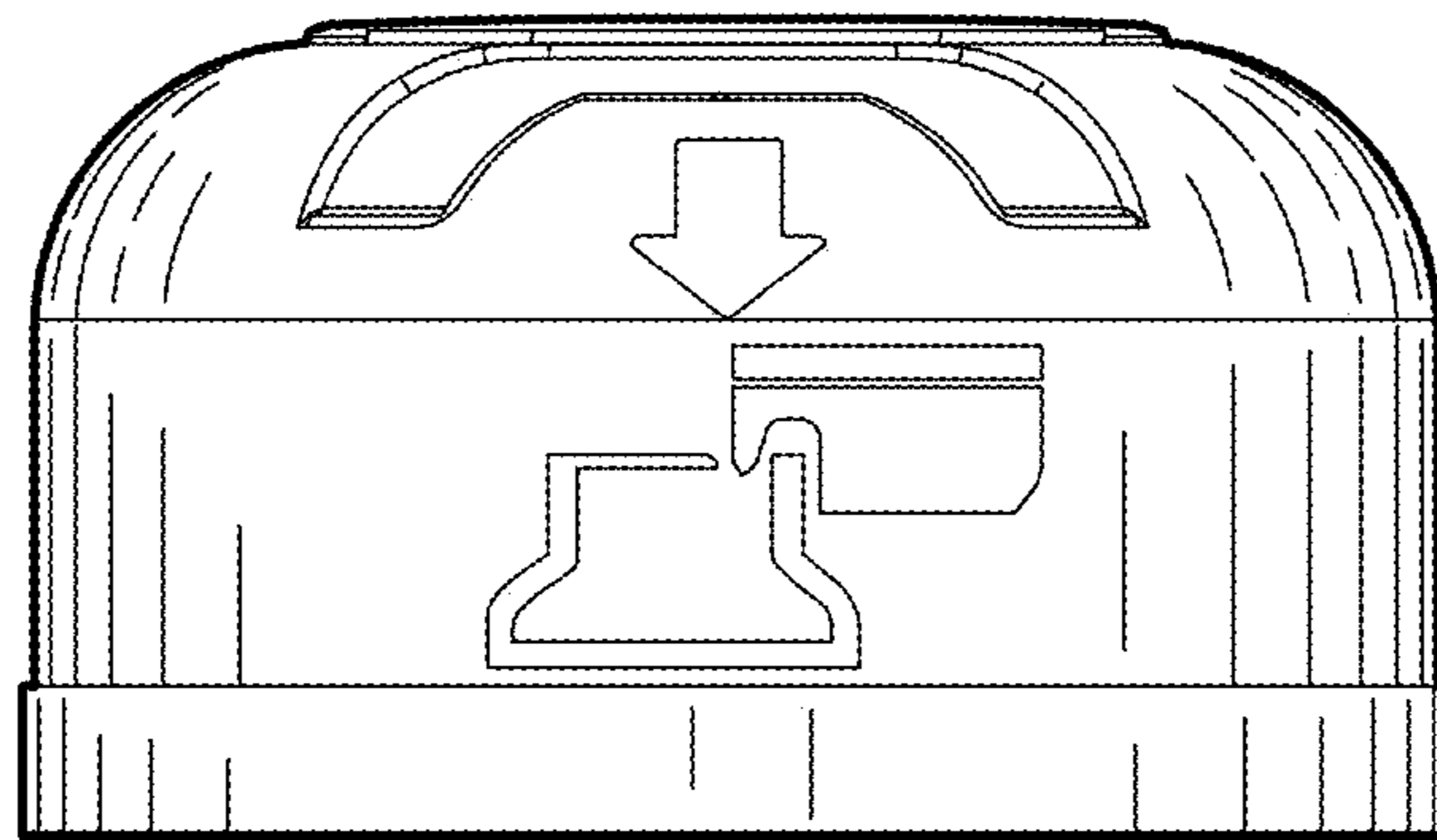


FIG. 3

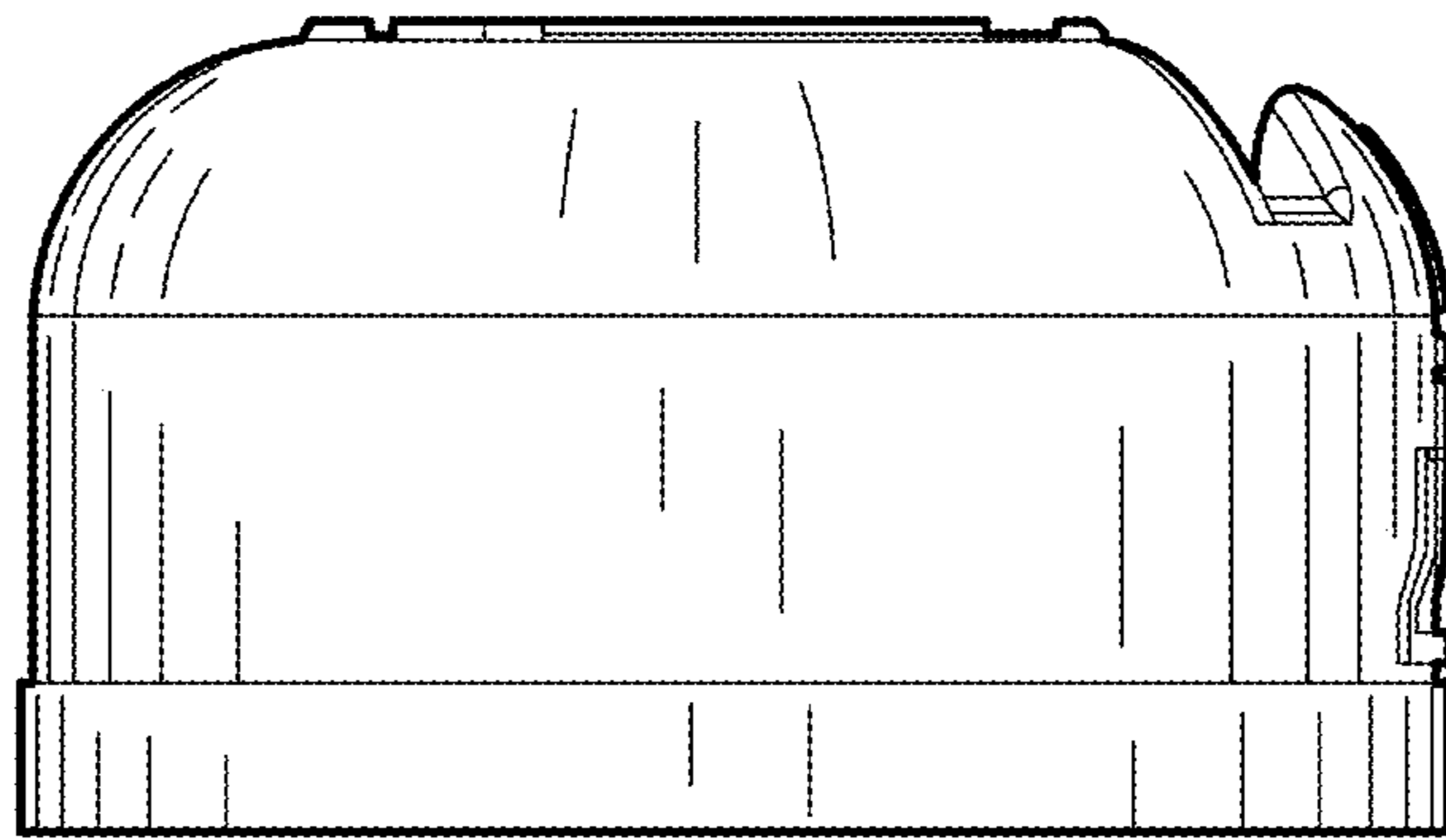


FIG. 4

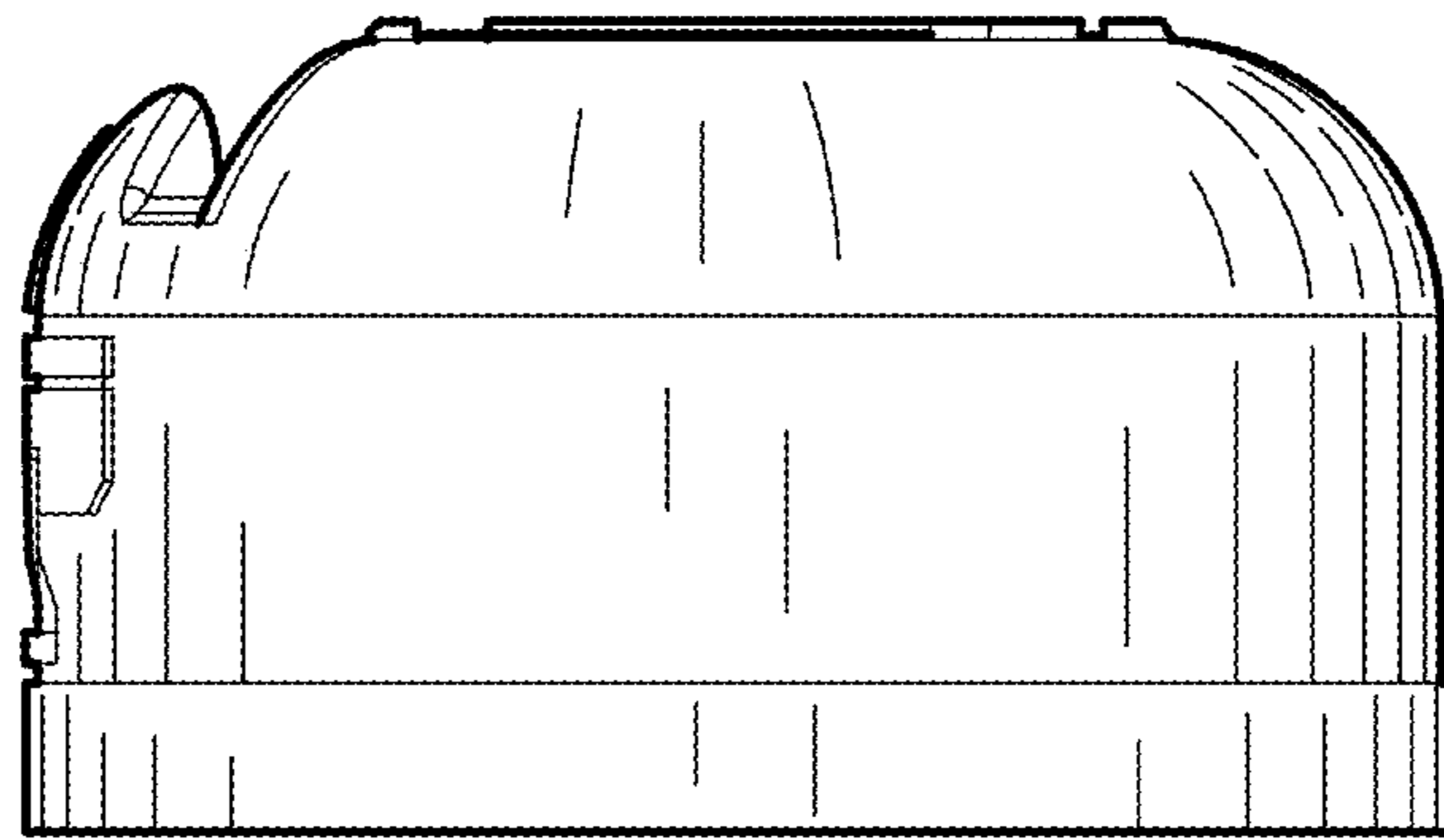


FIG. 5

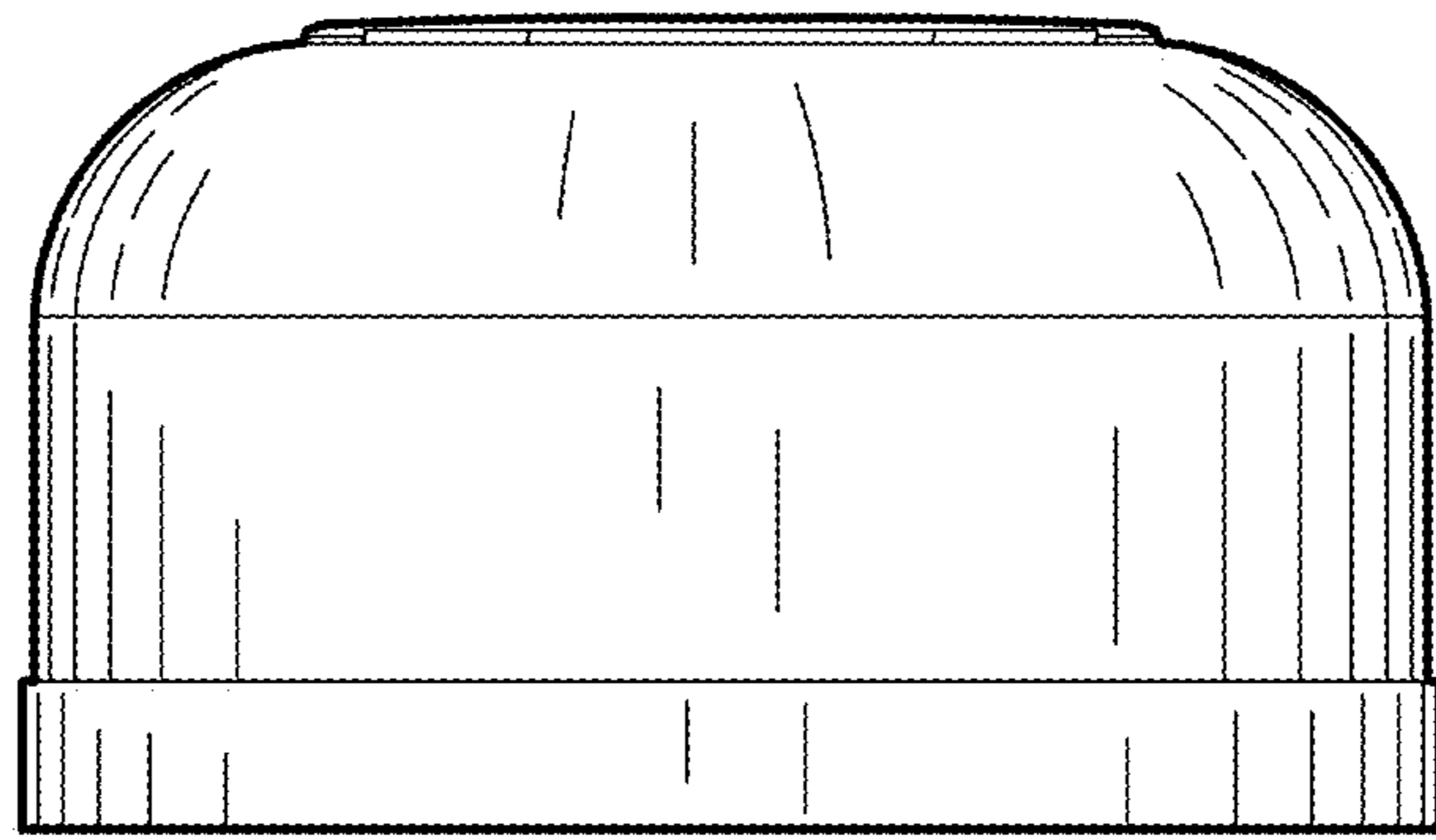


FIG. 6