



US00D876225S

(12) **United States Design Patent** (10) **Patent No.:** **US D876,225 S**
Vallotton et al. (45) **Date of Patent:** **** Feb. 25, 2020**

(54) **CAP FOR PHARMACEUTICAL CONTAINERS**
(71) Applicant: **B. Braun Melsungen AG**, Melsungen (DE)
(72) Inventors: **Raphaël Vallotton**, Blonay (CH); **Michel Pittet**, Aumont/FR (CH)
(73) Assignee: **B. Braun Melsungen AG** (DE)
(**) Term: **15 Years**

D227,744 S 7/1973 Mitchko
D245,991 S 10/1977 Gravel
D278,930 S 5/1985 Zaccai et al.
D285,118 S 8/1986 Huang
D316,449 S 4/1991 D'Aquino et al.
D321,940 S 11/1991 D'Aquino et al.
D345,611 S 3/1994 Long
(Continued)

FOREIGN PATENT DOCUMENTS

EP 0022460740001 5/2013
EP 0022460740002 5/2013

(21) Appl. No.: **29/685,475**
(22) Filed: **Mar. 28, 2019**

Related U.S. Application Data

(62) Division of application No. 29/600,128, filed on Apr. 10, 2017.

Foreign Application Priority Data

Oct. 10, 2016 (EP) 003413541

(51) **LOC (12) Cl.** **09-07**

(52) **U.S. Cl.**
USPC **D9/435; D9/436**

(58) **Field of Classification Search**
USPC D3/201, 202, 203.1, 203.2, 203.3, 204;
D9/414-419, 421-425, 427-429,
D9/430-436, 443, 444, 447, 455-457,
D9/499; D24/121, 129, 224-227;
D7/392.1
CPC A61J 1/1406; A61J 1/1431; A61J 1/1412;
B65D 51/002
See application file for complete search history.

(56) **References Cited**

U.S. PATENT DOCUMENTS

D130,156 S 10/1941 Perrin
D181,332 S 11/1957 Anderson

OTHER PUBLICATIONS

FDA. Useful Handling Tips for Ecoflac plus. No date specified.
<https://www.fda.gov/media/89938/download> (Year: 0).*

(Continued)

Primary Examiner — Darcey E Gottschalk
(74) *Attorney, Agent, or Firm* — RatnerPrestia

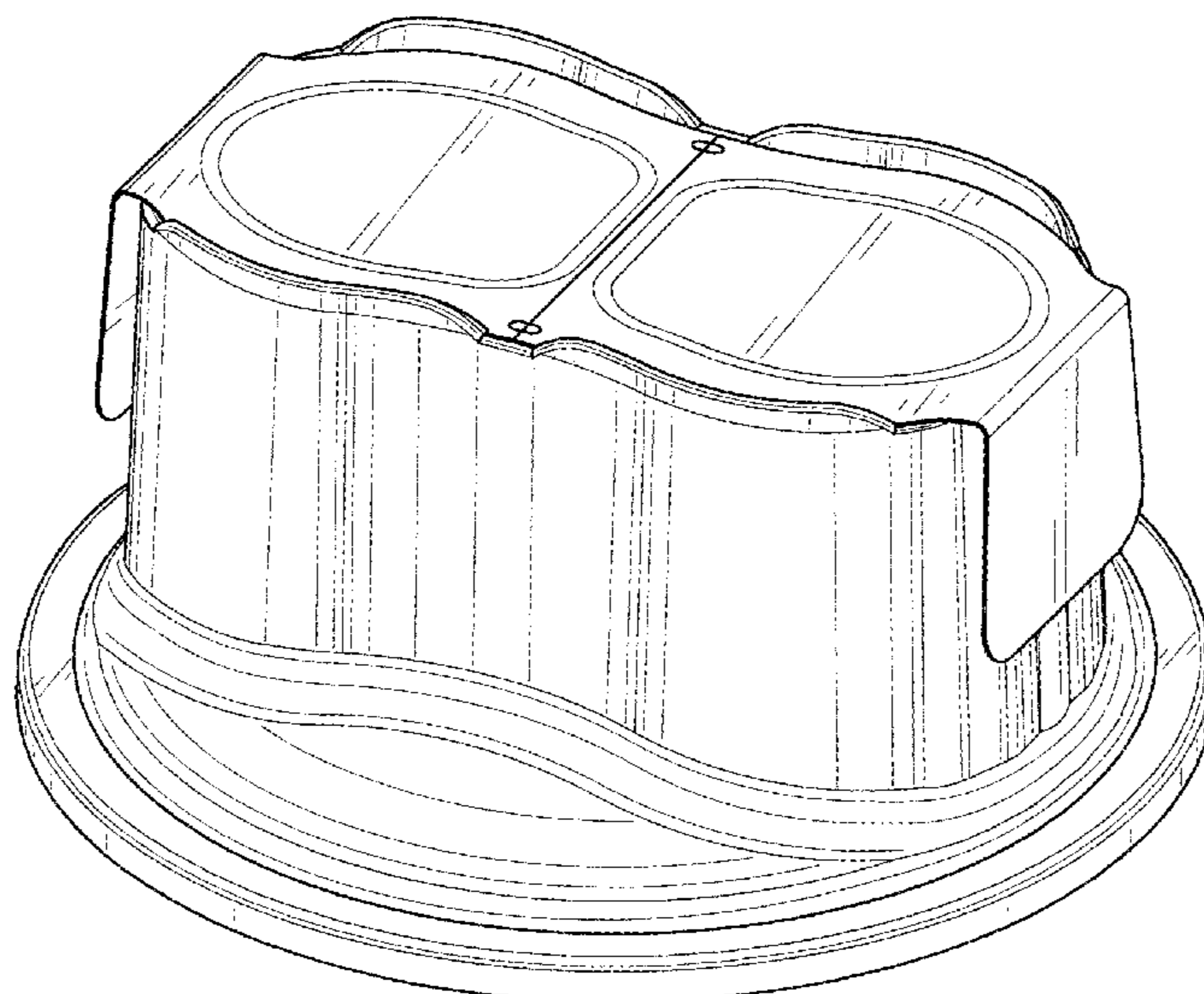
(57) **CLAIM**

The ornamental design for a cap for pharmaceutical containers, as shown and described.

DESCRIPTION

FIG. 1 is a perspective view of a cap for pharmaceutical containers;
FIG. 2 is a top plan view thereof;
FIG. 3 is a bottom plan view thereof;
FIG. 4 is a front elevation view thereof;
FIG. 5 is a rear elevation view thereof;
FIG. 6 is an elevation view thereof from the right side; and,
FIG. 7 is an elevation view thereof from the left side.
The broken line showing of the cap for pharmaceutical containers is for the purpose of illustrating portions of the cap for pharmaceutical containers and forms no part of the claimed design.

1 Claim, 7 Drawing Sheets



(56)

References Cited

U.S. PATENT DOCUMENTS

D349,647 S 8/1994 Moffitt
 D351,087 S * 10/1994 Anderson D7/541
 5,873,494 A * 2/1999 Dallas, Jr. B65D 47/2006
 222/129
 5,896,892 A 4/1999 Adamson et al.
 D465,970 S * 11/2002 Dimeo D7/392.1
 D519,728 S 5/2006 Chue
 D522,145 S * 5/2006 Best D10/81
 D539,084 S * 3/2007 Cundieff D7/401.1
 D540,380 S * 4/2007 Hoshiya D18/56
 D550,503 S * 9/2007 Liu D7/392.1
 D574,237 S 8/2008 Yates
 D590,255 S * 4/2009 Maxwell D9/447
 D614,487 S 4/2010 Beam et al.
 D684,276 S 6/2013 Hudson et al.
 8,720,715 B2 * 5/2014 Mader A61J 1/1406
 215/247
 D707,039 S 6/2014 Zerlin et al.
 D717,470 S 11/2014 Demas et al.
 D731,672 S * 6/2015 Kuroda D24/224
 D736,403 S 8/2015 Hudson et al.
 D748,249 S 1/2016 Pittet et al.
 D754,361 S 4/2016 McHale
 D772,706 S * 11/2016 Zhang D9/434
 D779,081 S 2/2017 McHale
 9,731,872 B2 8/2017 Beine
 D802,419 S 11/2017 Seiders et al.

D807,171 S 1/2018 Miller
 D834,938 S * 12/2018 Barnes D9/435
 D835,457 S * 12/2018 Sedgwick D7/392.1

OTHER PUBLICATIONS

Daily Med. Sodium Chloride Injection. Aug. 2014 [earliest on line date], [site visited Jun. 6, 2018]. Available from Internet, <URL:https://dailymed.nlm.nih.gov/dailymed/fda/fdaDrugXsl.cfm?setid=271e8b0f-d051-48a7-9093-8b53078a6a07&type=display>. (Year: 2014)—5 pages.
 German Healthcare Export Group. High demands—High quality infusion container Ecoflac® plus. 2018 [earliest online date], [site visited Jun. 6, 2018]. Available from Internet, <URL:https://www.gheg.de/en/products/high-demands-high-quality-infusion-container-ecoflac-plus/>. (Year: 2018)—4 pages.
 Entire patent prosecution history of U.S. Appl. No. 29/600,128, filed Apr. 10, 2017, entitled “CAP System for Pharmaceutical Containers.”
 Notice of Allowance for U.S. Appl. No. 29/600,128, dated Jul. 29, 2019, 12 pages.
 Non Final Office Action for U.S. Appl. No. 29/685,474, dated Nov. 25, 2019, 24 pages.
 Non Final Office Action for U.S. Appl. No. 29/685,477, dated Nov. 25, 2019, 25 pages.
 Non Final Office Action for U.S. Appl. No. 29/685,482, dated Nov. 25, 2019, 24 pages.
 Non Final Office Action for U.S. Appl. No. 29/685,485, dated Nov. 25, 2019, 17 pages.

* cited by examiner

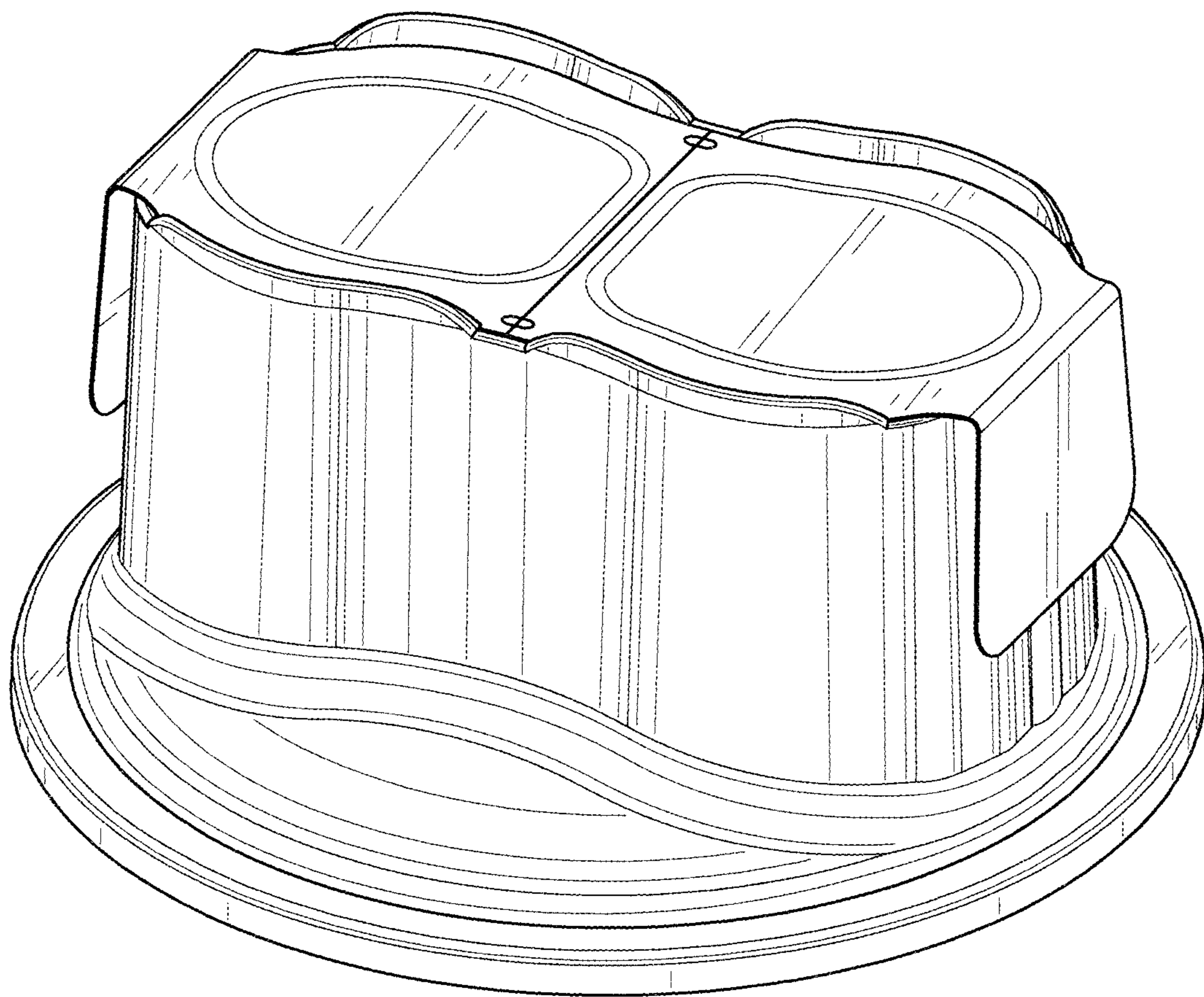


FIG. 1

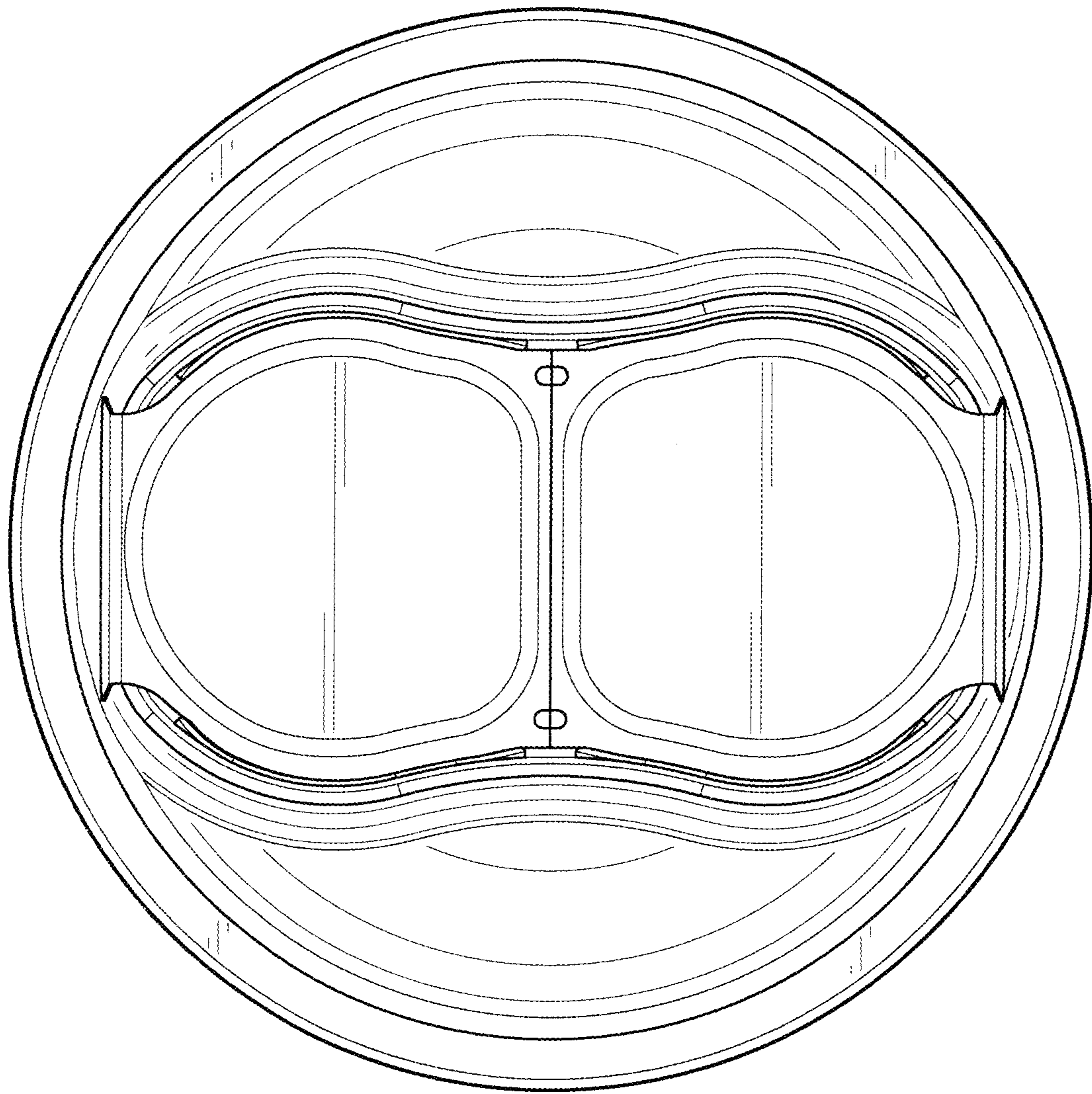


FIG. 2

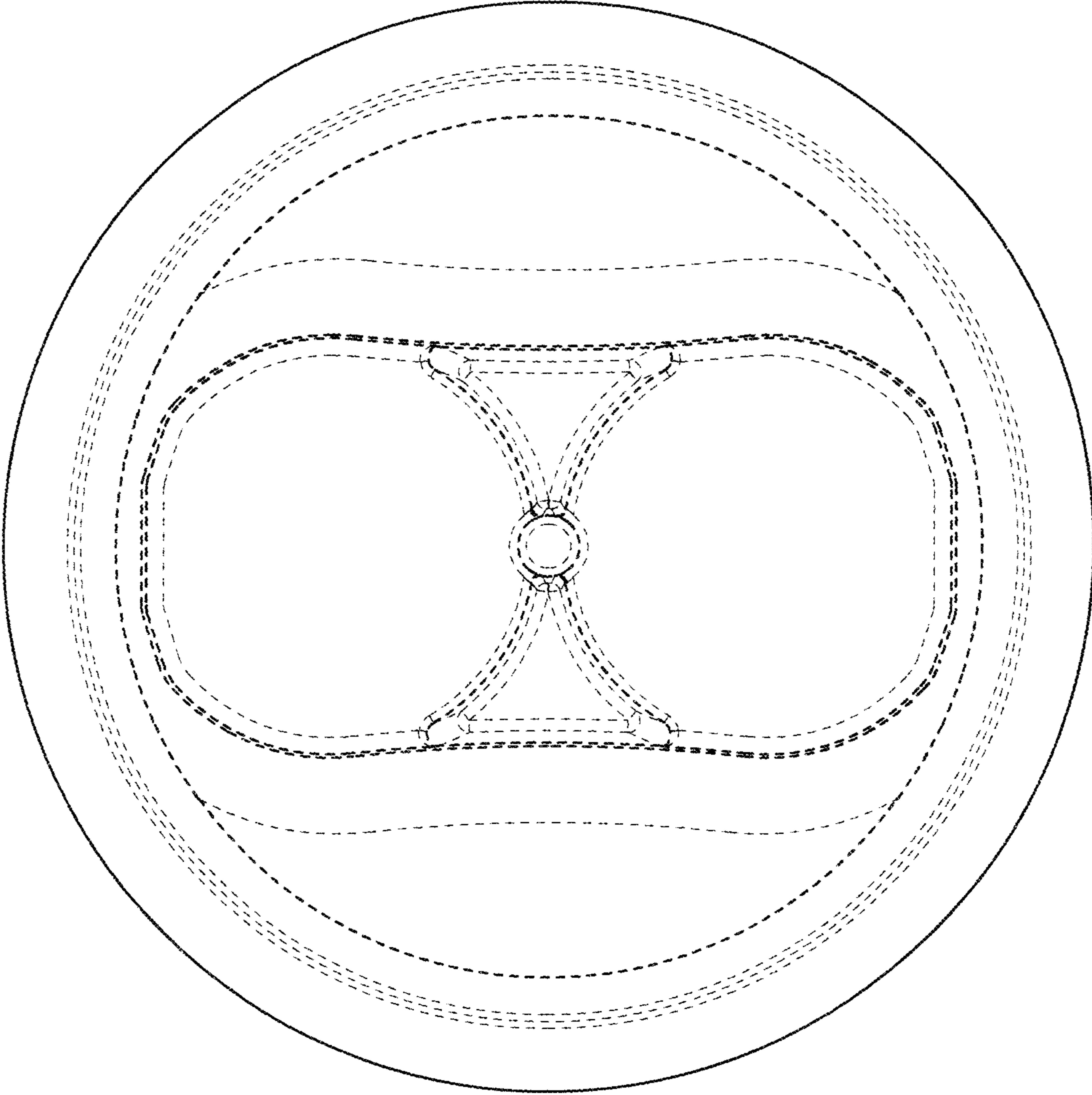


FIG. 3

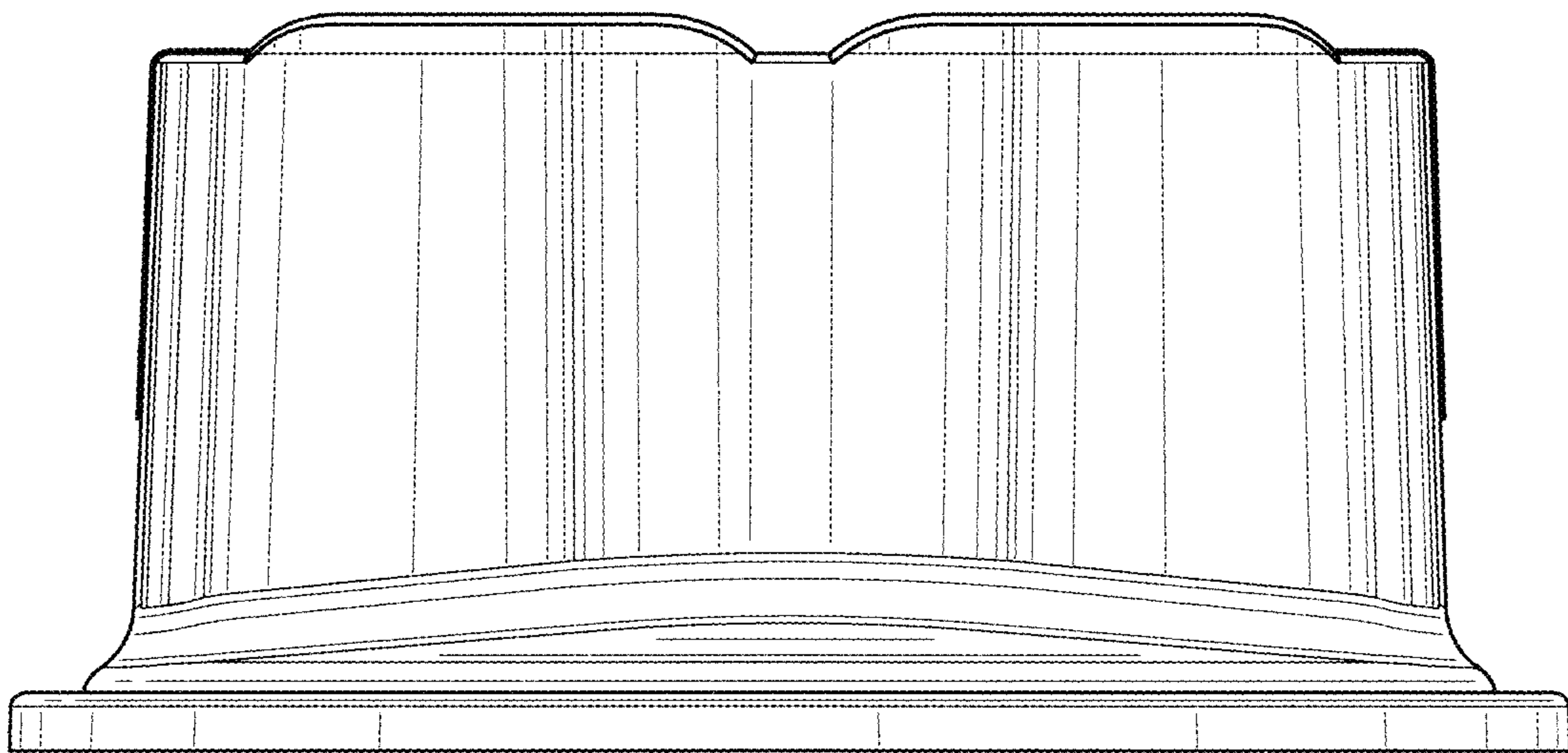


FIG. 4

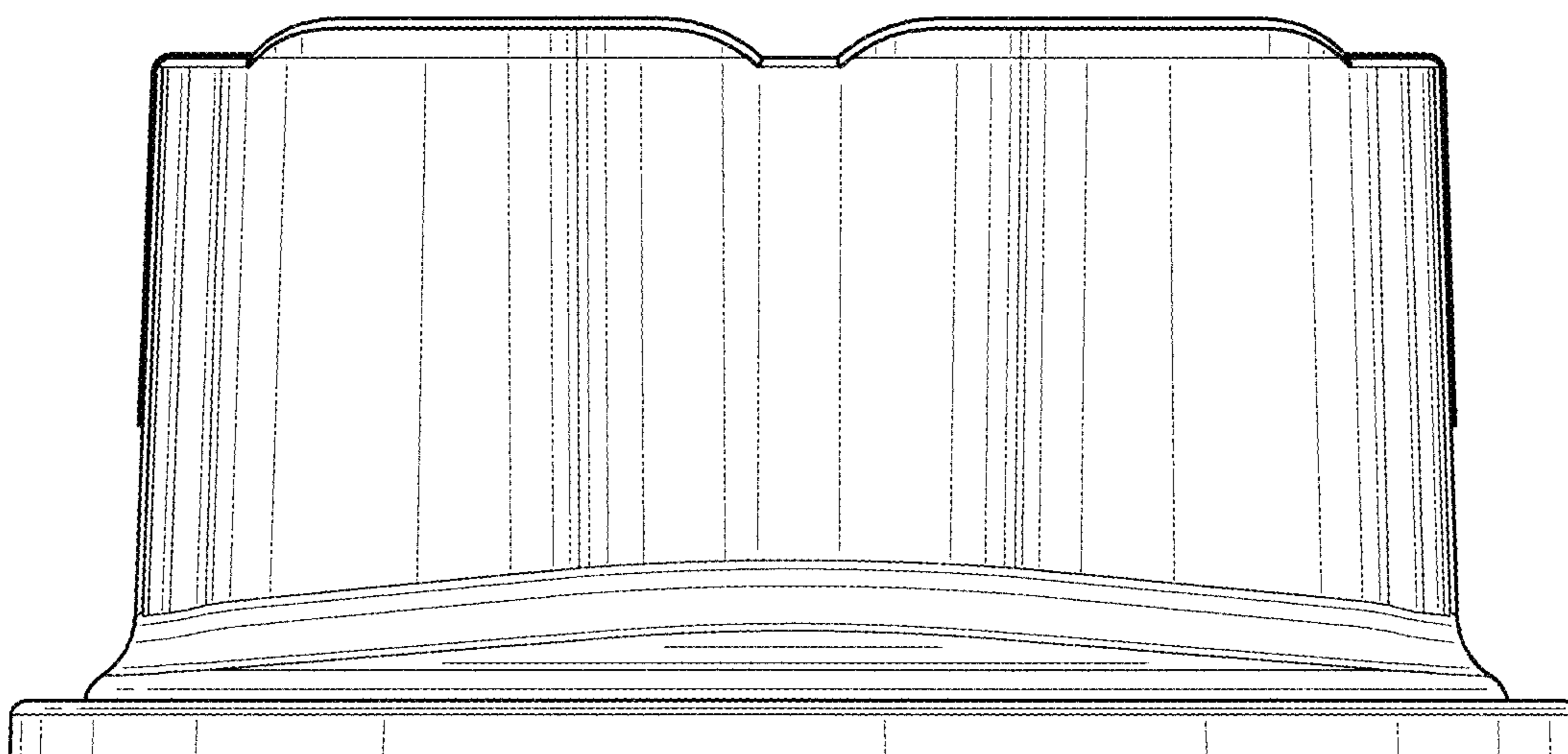


FIG. 5

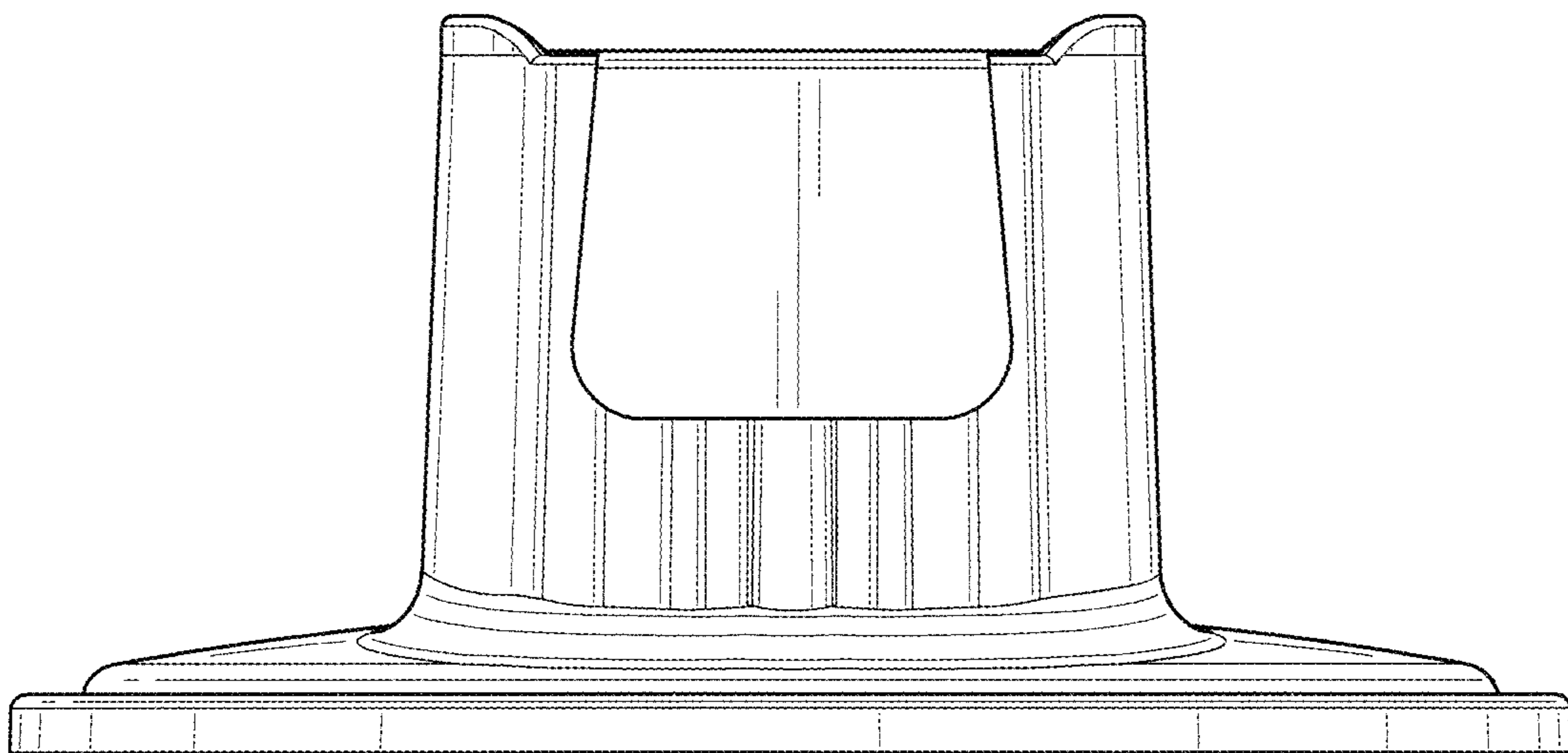


FIG. 6

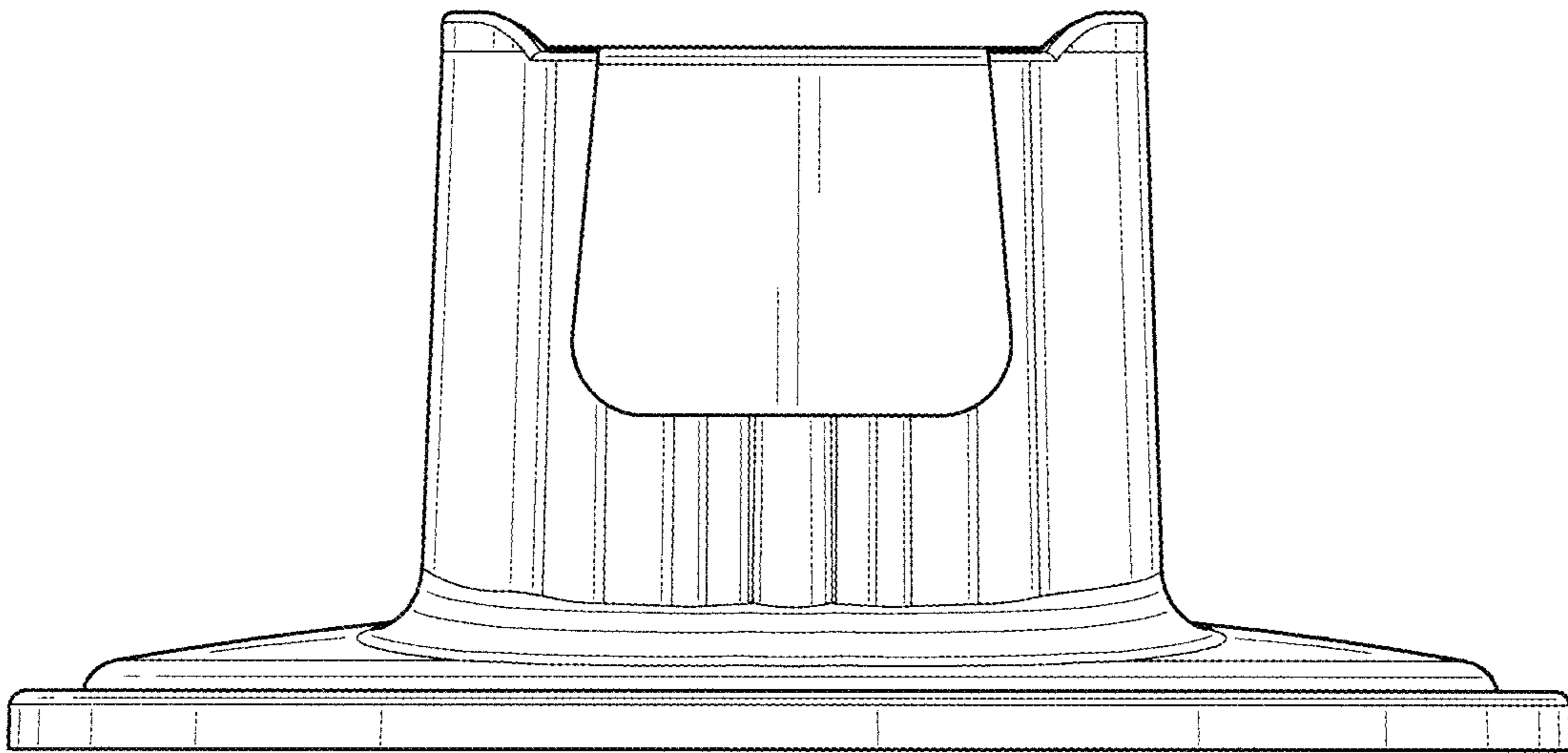


FIG. 7