



US00D876222S

(12) **United States Design Patent**
Carr et al.

(10) **Patent No.:** **US D876,222 S**
(45) **Date of Patent:** **** Feb. 25, 2020**

(54) **PRODUCT PACKAGE FOR ABSORBENT ARTICLES**

(71) Applicant: **The Procter & Gamble Company**,
Cincinnati, OH (US)

(72) Inventors: **Stevi Lee Carr**, Cincinnati, OH (US);
Brenda Marie Mahan, Liberty
Township, OH (US)

(73) Assignee: **The Procter & Gamble Company**,
Cincinnati, OH (US)

(**) Term: **15 Years**

(21) Appl. No.: **29/653,226**

(22) Filed: **Jun. 13, 2018**

Related U.S. Application Data

(62) Division of application No. 29/592,693, filed on Feb.
1, 2017, now Pat. No. Des. 829,093.

(51) **LOC (12) Cl.** **09-07**

(52) **U.S. Cl.**
USPC **D9/434; D9/499; D9/414**

(58) **Field of Classification Search**

USPC D9/434, 499, 414–416, 418, 419–423,
D9/425, 426, 430–433, 737, 759–761;
D3/201, 203.1, 203.5, 203.6; D7/601,
D7/602, 609

CPC B65D 5/4233; B65D 2203/00; B65D
2203/02; G09F 3/02; G09F 2003/0272;
G09F 2003/0273

See application file for complete search history.

(56) **References Cited**

U.S. PATENT DOCUMENTS

D152 S 9/1847 Wright
D103,786 S 3/1937 Medoff

D117,343 S 10/1938 Huizing
D133,714 S 9/1942 Medoff
D158,164 S 4/1950 Weinberg
D196,883 S * 11/1963 Robinson D9/416
3,206,103 A * 9/1965 Bixler B65D 5/5415
206/807

D249,468 S 12/1978 Carroll
D255,328 S 6/1980 Carroll
D262,191 S * 12/1981 Quillen D9/416
D285,178 S 8/1986 Ewry

(Continued)

OTHER PUBLICATIONS

Exploded Diaper. Let's compare . . . Sep. 25, 2015. <URL:https://
explodeddiaper.wordpress.com/2015/09/25/>. (Year: 2015).*

(Continued)

Primary Examiner — Darcey E Gottschalk

(74) *Attorney, Agent, or Firm* — George H. Leal

(57) **CLAIM**

The ornamental design for a product package for absorbent
articles, as shown and described.

DESCRIPTION

FIG. 1 is a perspective view of a product package for
absorbent articles;

FIG. 2 is a front view of the package shown in FIG. 1;

FIG. 3 is a left side view of the package shown in FIG. 1;

FIG. 4 is a rear view of the package shown in FIG. 1;

FIG. 5 is a right side view of the package shown in FIG. 1;

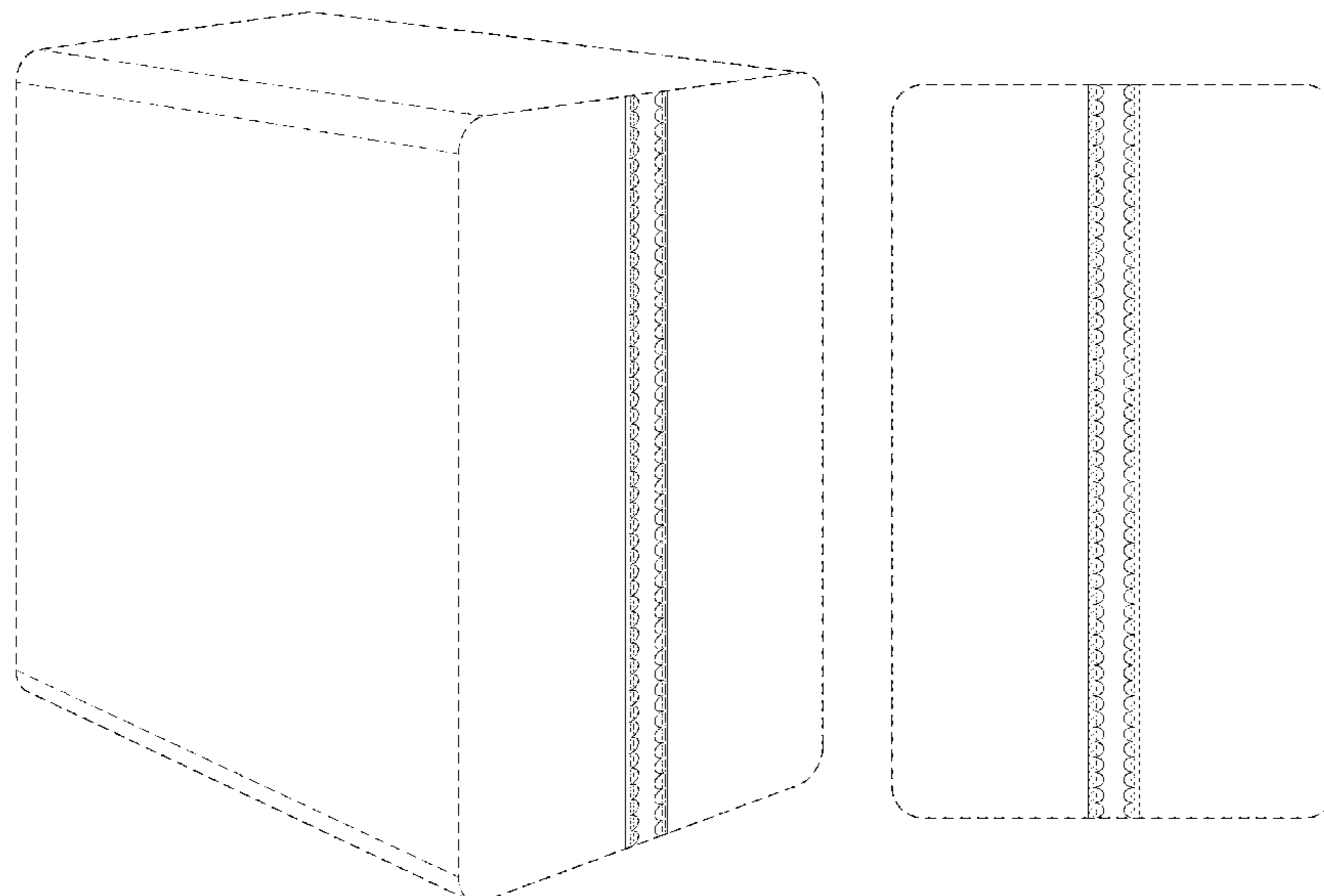
FIG. 6 is a top view of the package shown in FIG. 1; and,

FIG. 7 is a bottom view of the package shown in FIG. 1.

Broken lines are included for the purpose of illustrating
environment and form no part of the claimed design.

The shaded areas highlight what is being claimed whereas
the non-shaded areas form no part of the claimed design.

1 Claim, 7 Drawing Sheets



(56)

References Cited

U.S. PATENT DOCUMENTS

D310,965 S 10/1990 Capuano
 D413,062 S 8/1999 Nakano
 D414,408 S 9/1999 Nakano
 D419,443 S 1/2000 Yonehara et al.
 D429,894 S 8/2000 Bergin
 D447,685 S * 9/2001 Chagnon D9/416
 D467,167 S 12/2002 King
 D472,463 S * 4/2003 Kinigakis D9/416
 D496,269 S 9/2004 Hutchinson
 D503,614 S 4/2005 Sax et al.
 7,172,073 B2 2/2007 Hanson
 D548,074 S * 8/2007 El-Afandi D9/416
 D548,583 S 8/2007 Carmichael et al.
 D552,482 S 10/2007 Lin
 D593,159 S 5/2009 Weber
 D610,904 S 3/2010 Russell et al.
 D614,026 S 4/2010 Lince et al.
 D637,486 S 5/2011 Andrew
 D656,826 S 4/2012 Bohache et al.
 D674,413 S 1/2013 Euna et al.
 D678,048 S 3/2013 Bakker et al.
 D686,505 S 7/2013 Uemura
 D689,769 S 9/2013 Oates et al.
 D693,680 S 11/2013 Klopp et al.
 8,657,114 B2 2/2014 Oates et al.
 D703,041 S 4/2014 Abel et al.
 D703,531 S 4/2014 Gavrieli et al.
 D710,117 S 8/2014 Euna et al.
 D723,383 S 3/2015 Tseng et al.
 D730,180 S 5/2015 Oates et al.
 D738,743 S 9/2015 Galmarini
 D743,787 S 11/2015 Hood et al.
 D744,333 S 12/2015 Hood et al.
 D749,942 S 2/2016 Clough et al.
 D753,487 S 4/2016 Wells et al.
 D755,640 S 5/2016 Tseng et al.
 D764,913 S 8/2016 Hood et al.
 D765,507 S 9/2016 Hood et al.

D767,984 S 10/2016 Riffle Roper
 D768,480 S 10/2016 Hood et al.
 D768,481 S * 10/2016 Gagliardo D9/434
 D772,061 S 11/2016 O'Dowd et al.
 D820,078 S * 6/2018 Uematsu D9/416
 D829,093 S 9/2018 Carr et al.
 D829,107 S 9/2018 Carr et al.
 D829,561 S 10/2018 Carr et al.
 2008/0314905 A1 * 12/2008 Smalley B65D 71/36
 220/266

OTHER PUBLICATIONS

Fiskars. Decorative Scissors & Paper Edges. No date specified.
<https://www2.fiskars.com/Products/Crafting-and-Sewing/Decorative-Scissors-and-Paper-Edgers> (Year: 0).*

U.S. Appl. No. 29/592,531, filed Jan. 31, 2017, Carr et al.
 U.S. Appl. No. 29/592,540, filed Jan. 31, 2017, Carr et al.
 U.S. Appl. No. 29/592,693, filed Feb. 1, 2017, Carr et al.
 4MDMedical, Kimberly-Clark Poise Pads Maximum Long, 13".
 2017 [earliest online date], [site visited Dec. 4, 2017]. Available
 from Internet, URL:<https://www.4mdmedical.com/depend-protective-underwear-for-women-and-men-female-x-large-48-64.html>. (Year:
 2017).

PG Shop. Tampax Radiant plastic Triplepack. 2017 [earliest online
 date], [site visited Dec. 4, 2017]. Available from Internet, URL:
https://www.pgshop.com/Tampax-Radiant-plastic-Triplepack-Regular/Super/Super-Plus-absorbencies-unscented-tampons-32ct/PG_00073010710948.html?cgid=pgshop-hers-feminine-tampon#start=1. (Year: 2017).

All Office Actions for U.S. Appl. No. 29/592,693.
 Office Actions for U.S. Appl. No. 29/587,699.
 Office Actions for U.S. Appl. No. 29/587,701.
 Office Actions for U.S. Appl. No. 29/592,531.
 Office Actions for U.S. Appl. No. 29/592,540
 Office Actions for U.S. Appl. No. 29/653,814.
 Office Actions for U.S. Appl. No. 29/653,810.

* cited by examiner

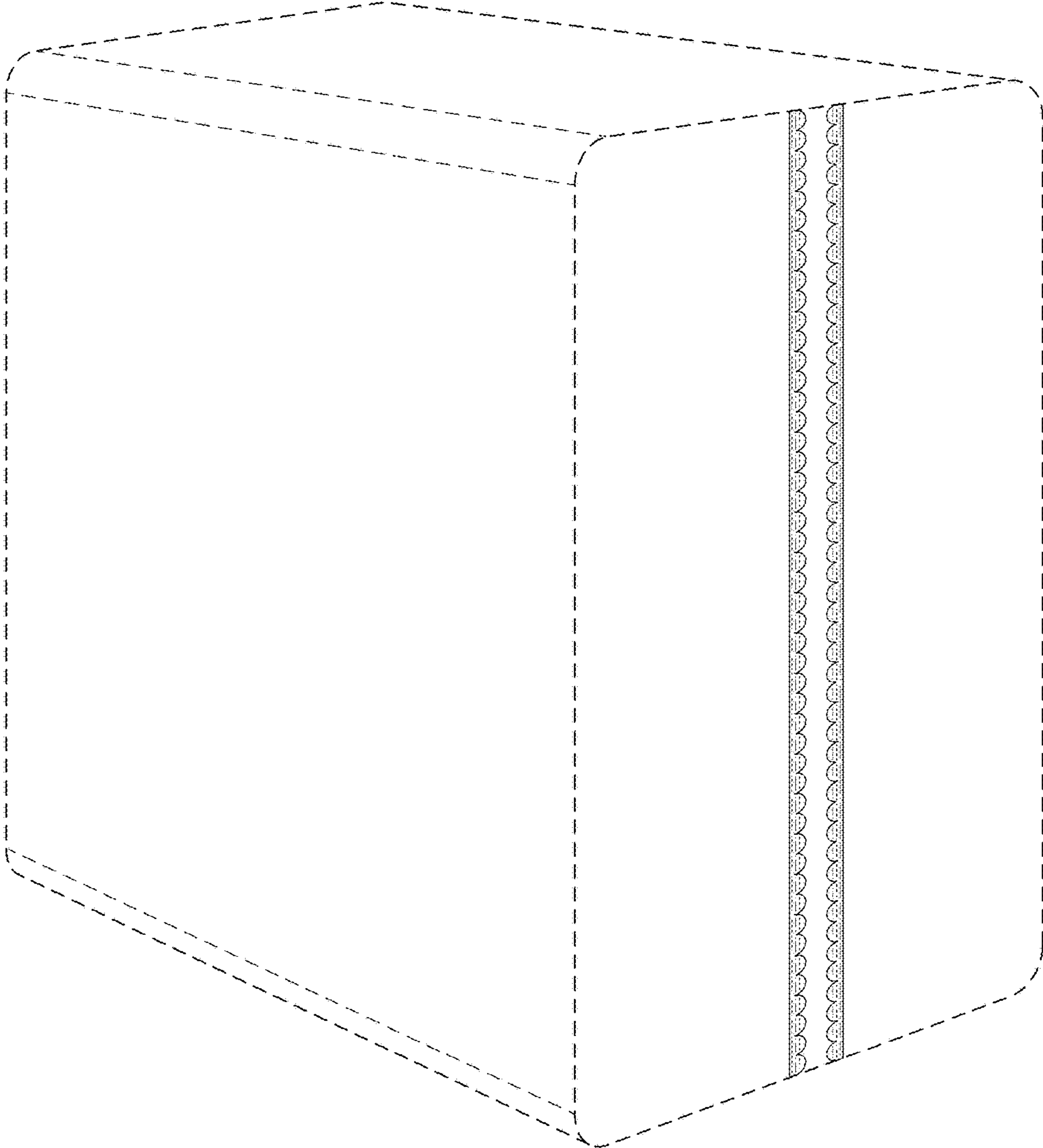


FIG. 1

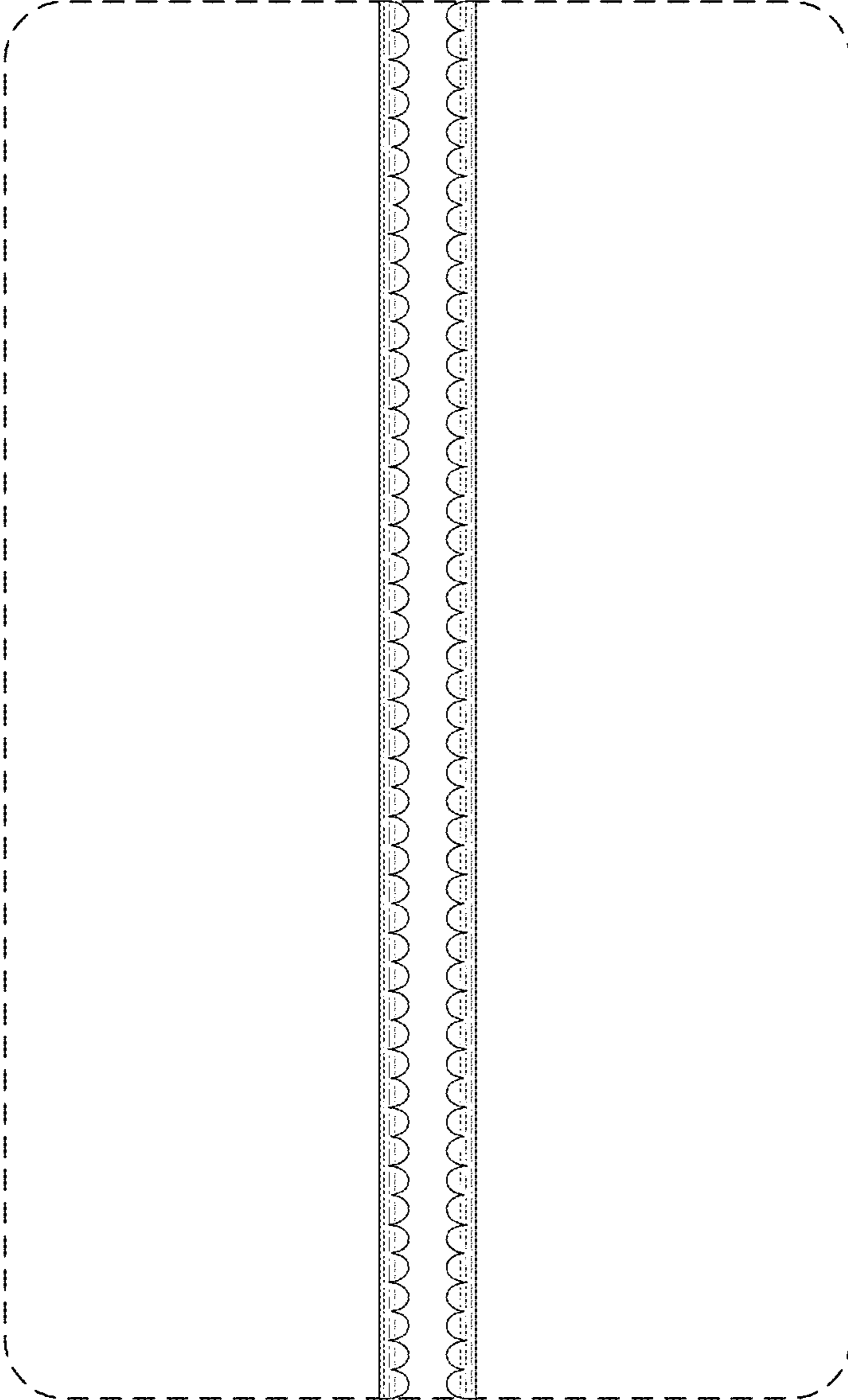


FIG. 2

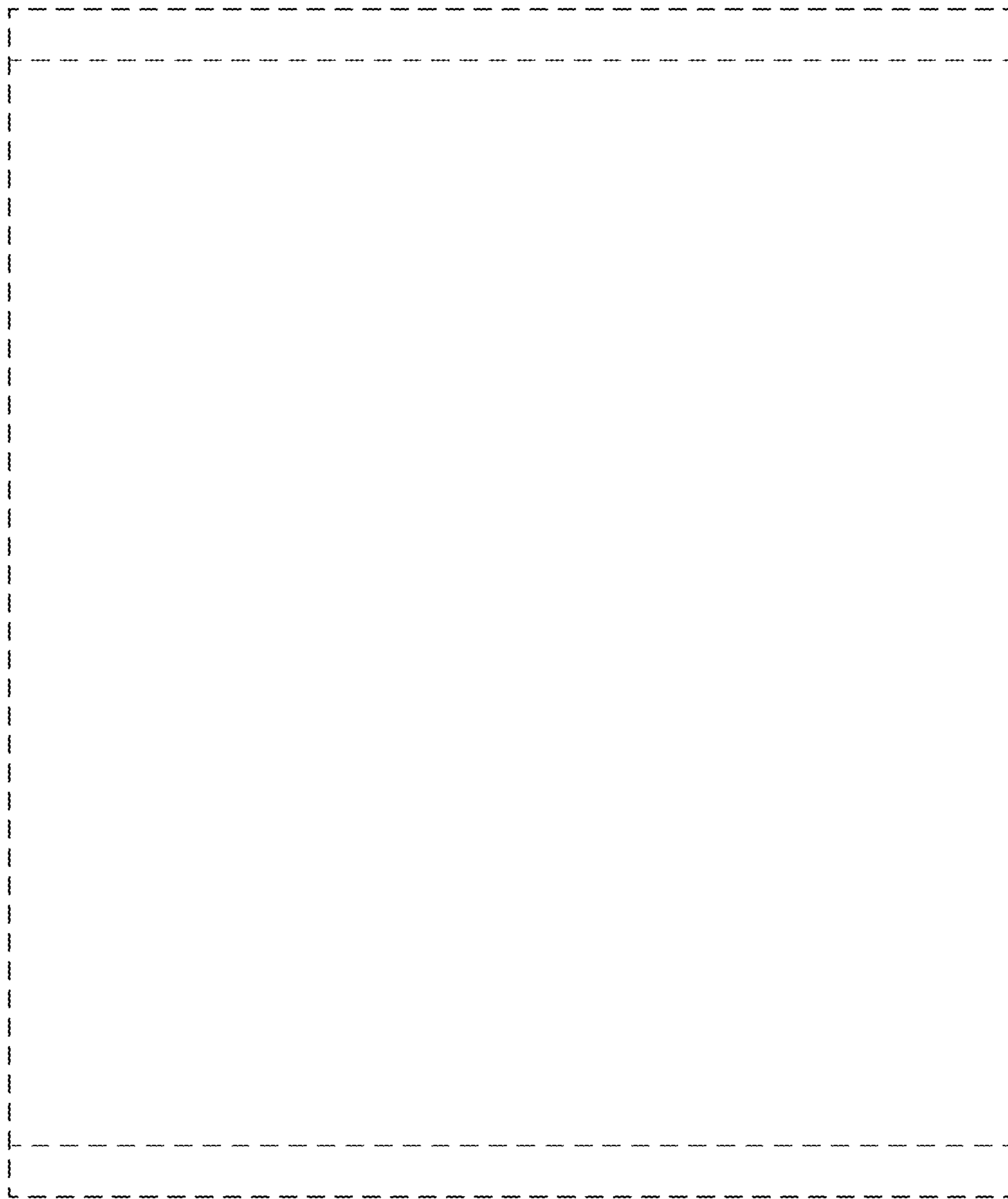


FIG. 3

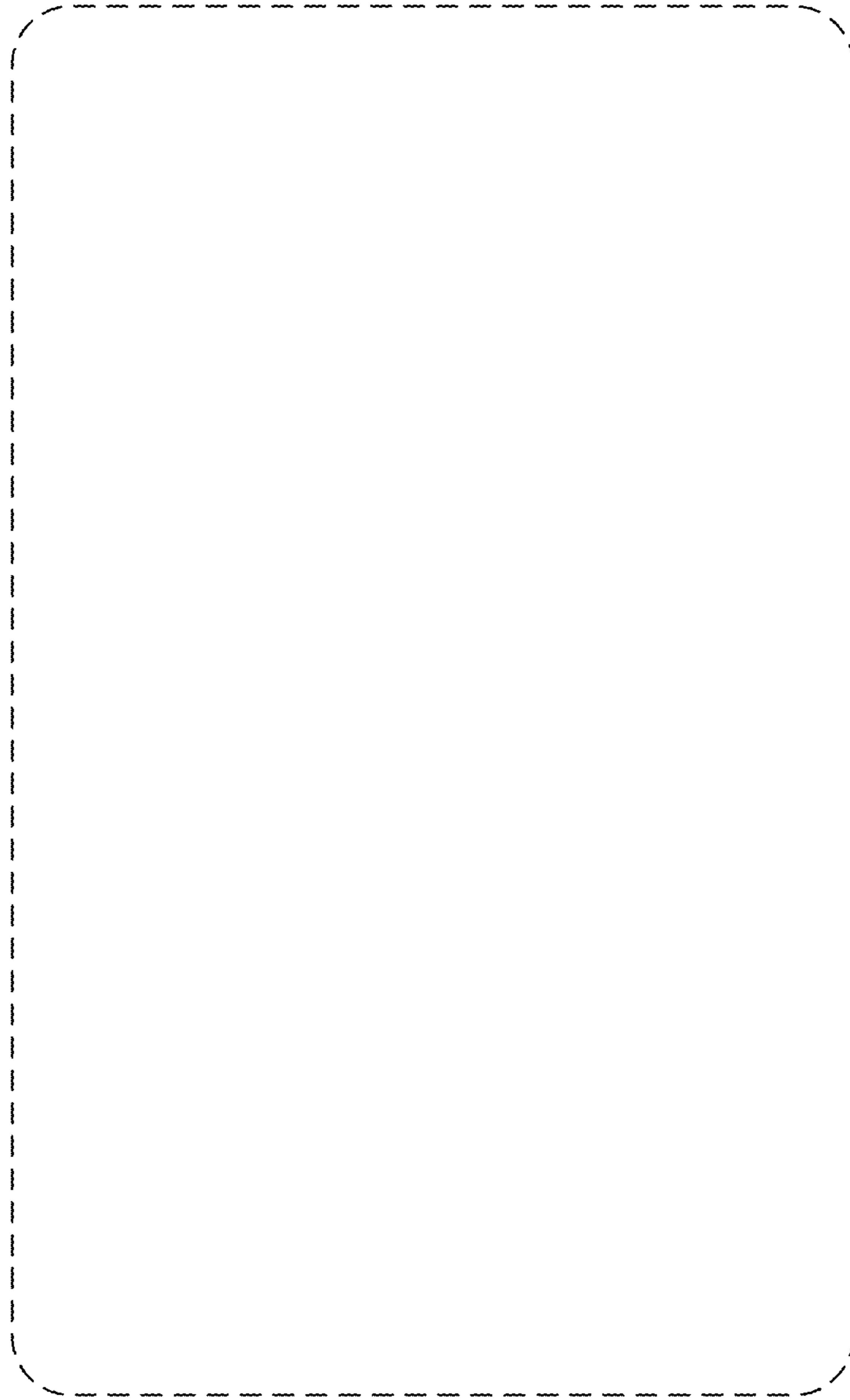


FIG. 4

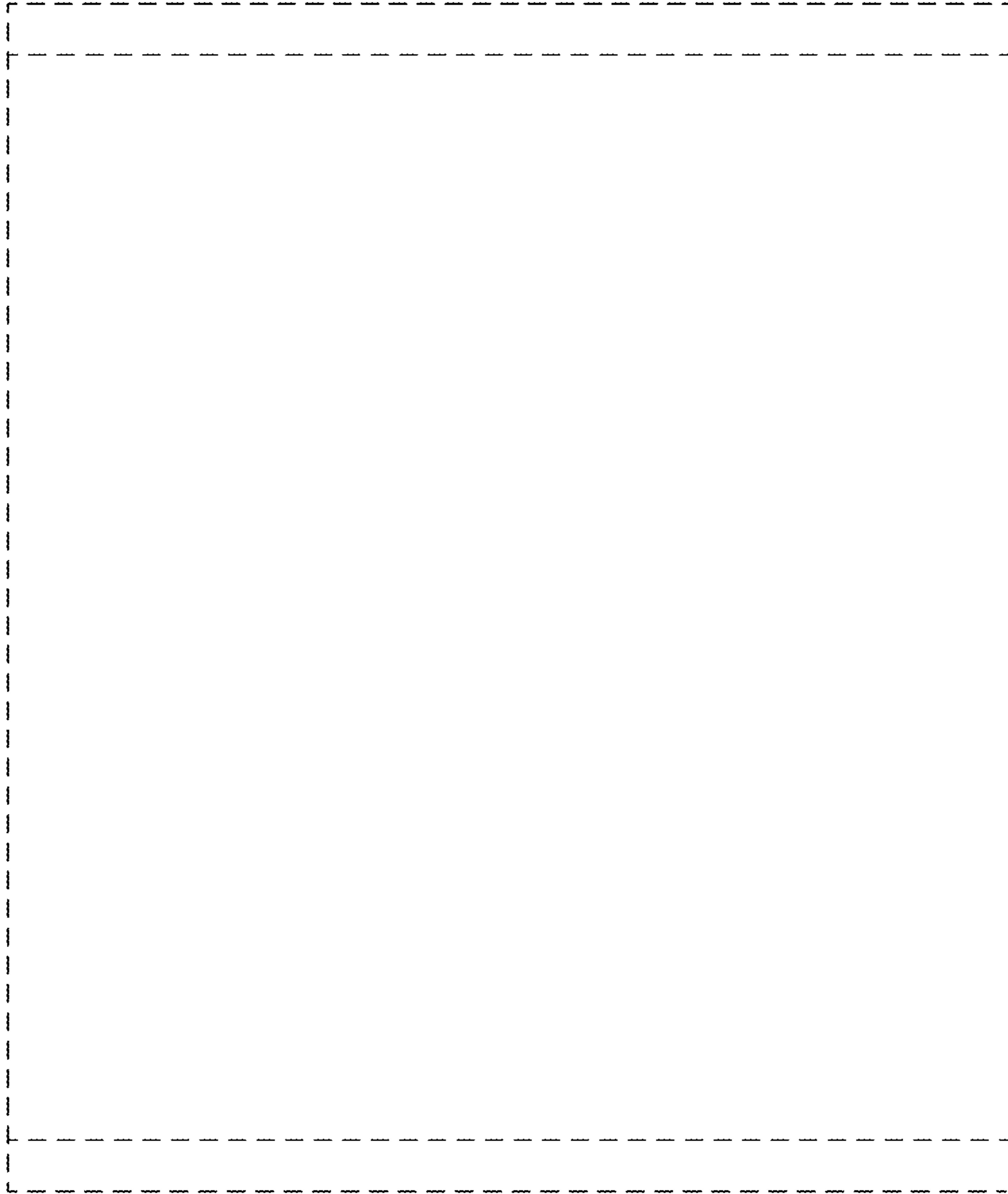


FIG. 5

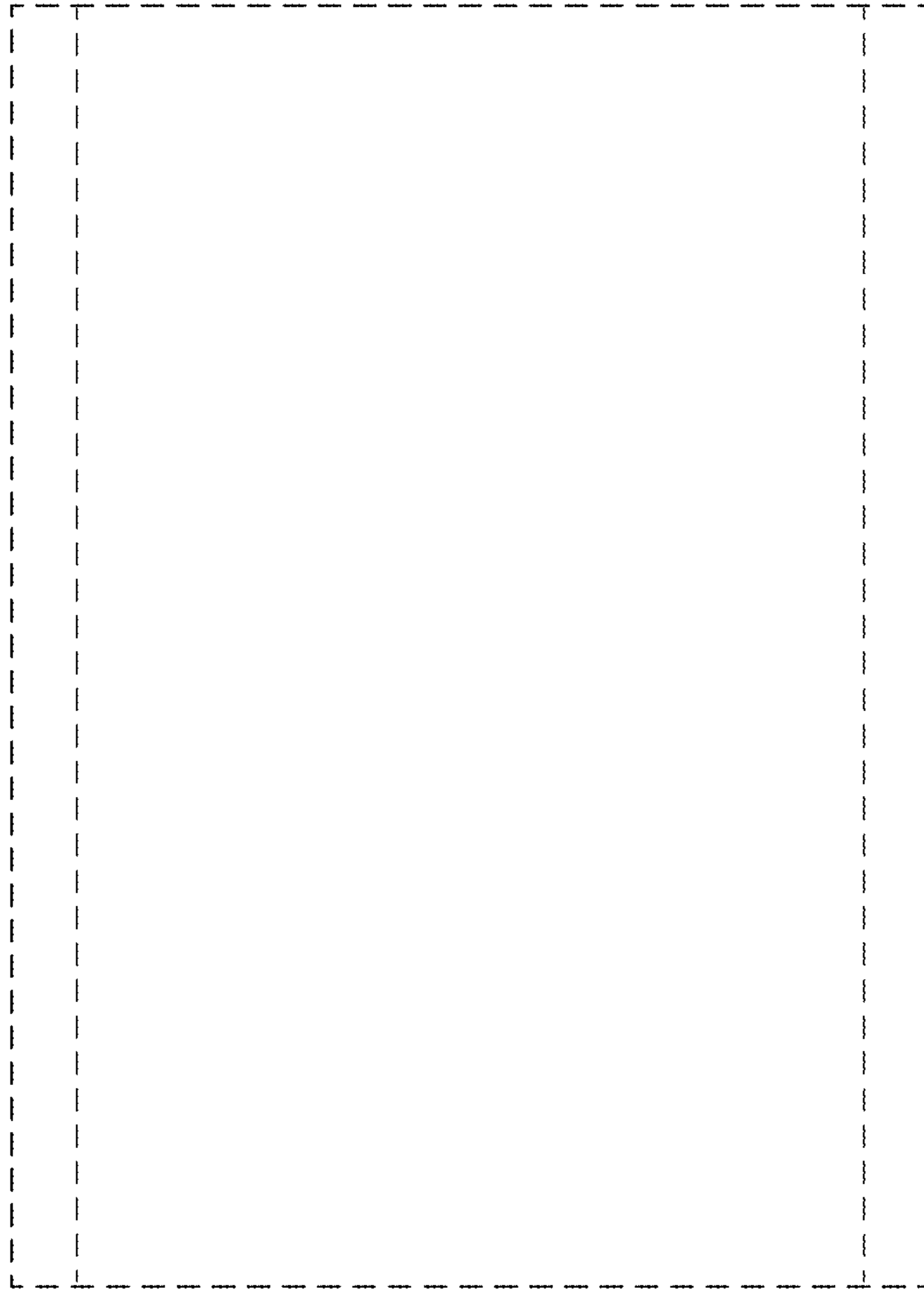


FIG. 6

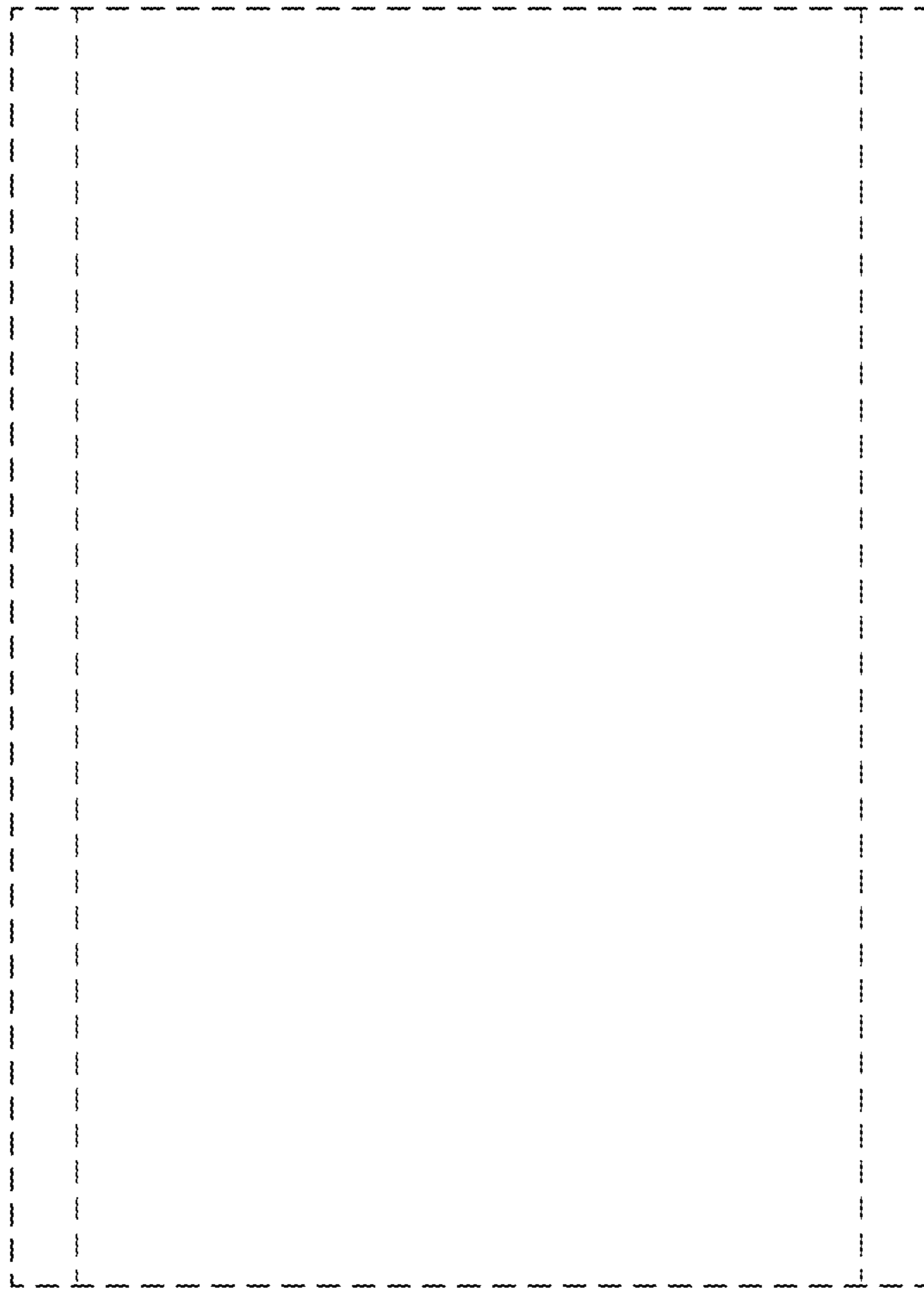


FIG. 7